

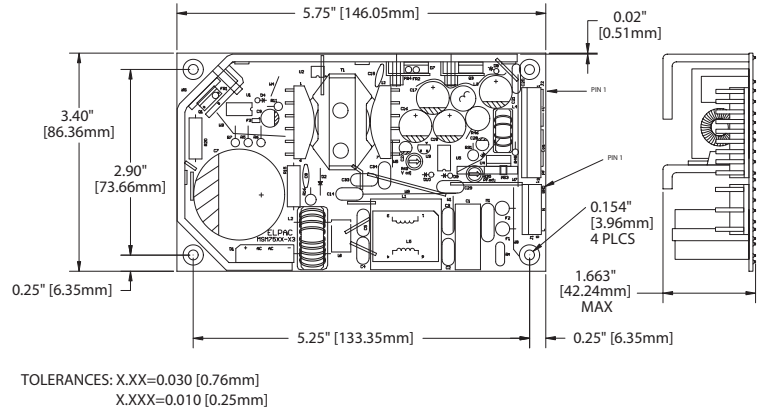


THE DATASHEET OF MSM7524



MSM75 series

75 Watt Medical Grade Power Supply



Features

- Wide range AC input
- Fully regulated output
- High efficiency
- Medical grade approval
- Dimensions meet 1U applications
- 5 year warranty

EMI/EMC

- Meets FCC class B, CISPR 11 class B
- EMC per EN60601-1-2
- Complies with EN61000-3-2 class A

Safety

- UR/cUR UL2601-1
- CE Marked EN60601-1-2:2001

Polarity	1	2	3	4	5	6	7	8	9
Input P1	Gnd	-	Neut.	-	Line	-	-	-	-
Output P2	+V	+V	+V	+V	Com	Com	Com	Com	Pwr Fail

Input and Output Connections

- Input connector = AMP p/n 643495-2
- Input mating connector = AMP p/n 640250-5 or equivalent
- Input mating connector contacts = AMP p/n 770476-1 or equivalent
- Output connector = AMP p/n 640445-9
- Output mating connector = AMP p/n 640250-9 or equivalent
- Output mating connector contacts = AMP p/n 770476-1 or equivalent

Electrical Specifications

Input

- Voltage.....90-264 VAC
- Current.....1.5 Amp @ 100 VAC
- Frequency.....47 - 63 Hz
- Earth leakage current.....70 uA, 264 V @ 50 Hz (normal condition)

Output

- Line regulation..... TYP +/- 1%
- Load regulation..... TYP +/- 3%
- Hold up time.....15 ms min at full load, 115 VAC
- Transient response.....2 ms for 50% to 100% load change
- Over voltage protection.....Built-in
- Over current protection..... Built-in
- Short circuit protection..... Pulsing mode, auto recovery
- Efficiency.....80% min at full load and 115 VAC
- Ripple/noise (V_{p-p}).....1% (20 MHz bandwidth)

Environmental

- Operating temperature.....0° C to 50° C
- Storage temperature.....-55° C to 85° C
- Weight = 0.50 lbs

Model No.	Voltage	Power	Current
MSM7512	12V	75W	6.3A
MSM7515	15V	75W	5A
MSM7524	24V	75W	3.1A
MSM7528	28V	75W	2.7A

Looking for pricing, stock, or lifecycle information?

Click below to explore more details on WIN SOURCE:

 [View MSM7524 on WIN SOURCE](#)

 [Inventus Power Information](#)

Optimize Your Supply Chain with WIN SOURCE Solutions

-  Global Sourcing Solution
-  Obsolete Management
-  Cost Control Management
-  Shortage Management
-  Alternative Solution
-  Excess Inventory Management