



**THE DATASHEET OF
NCV3066DR2G**



NCP3066, NCV3066

Up to 1.5 A Constant Current Switching Regulator for LEDs with ON/OFF Function

The NCP3066 is a monolithic switching regulator designed to deliver constant current for powering high brightness LEDs. The device has a very low feedback voltage of 235 mV (nominal) which is used to regulate the average current of the LED string. In addition, the NCP3066 has a wide input voltage up to 40 V to allow it to operate from a 12 Vac or a 12–36 Vdc supply, commonly used for lighting applications as well as unregulated supplies such as rechargeable batteries. The NCP3066 switching regulator can be configured in Step-Down (Buck), Step-Up (Boost) and Voltage-Inverting topologies with a minimum number of external components. The ON/OFF pin provides PWM dimming capability or a low power shutdown mode.

Features

- Integrated 1.5 A Switch
- Input Voltage Range from 3.0 V to 40 V
- Logic Level Shutdown Capability
- Low Feedback Voltage of 235 mV
- Cycle-by-Cycle Current Limit
- No Control Loop Compensation Required
- Frequency of Operation Adjustable up to 250 kHz
- Analog and Digital PWM Dimming Capability
- Internal Thermal Shutdown with Hysteresis
- NCV Prefix for Automotive and Other Applications Requiring Site and Control Changes
- These are Pb-Free Devices

Applications

- Automotive and Marine Lighting
- Constant Current Source, High Brightness LED Driver
- Low Voltage and Landscape Lighting

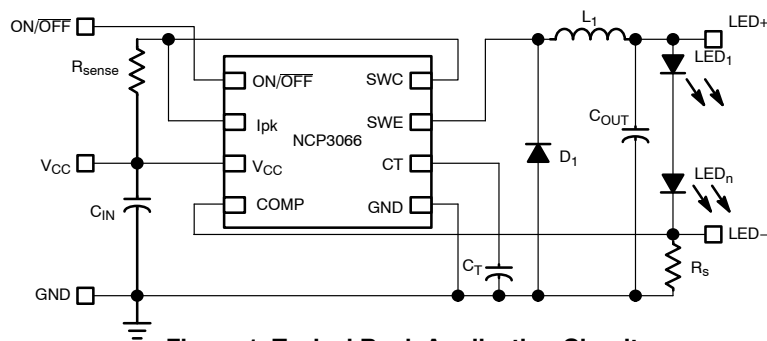


Figure 1. Typical Buck Application Circuit



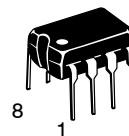
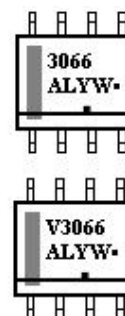
ON Semiconductor®

www.onsemi.com

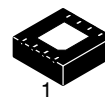
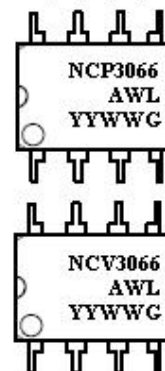
MARKING DIAGRAMS



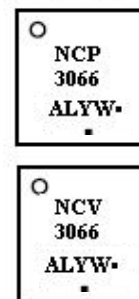
SOIC-8
D SUFFIX
CASE 751



PDIP-8
P, P1 SUFFIX
CASE 626



DFN8
MN SUFFIX
CASE 488AF



NCP3066 = Specific Device Code
A = Assembly Location
L, WL = Wafer Lot
Y, YY = Year
W, WW = Work Week
G or ■ = Pb-Free Package

(Note: Microdot may be in either location)

ORDERING INFORMATION

See detailed ordering and shipping information in the package dimensions section on page 17 of this data sheet.

NCP3066, NCV3066

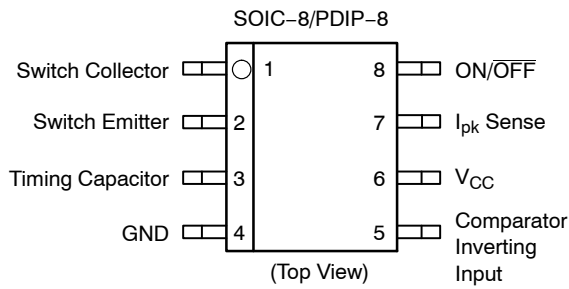


Figure 2. Pin Connections

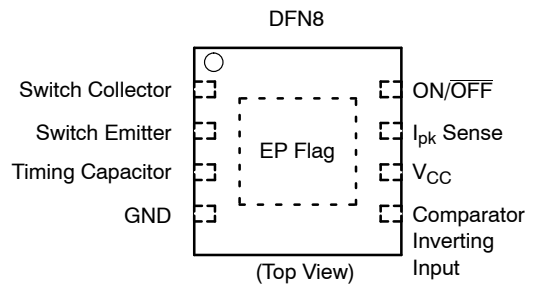


Figure 3. Pin Connections

NOTE: EP Flag must be tied to GND Pin 4 on PCB

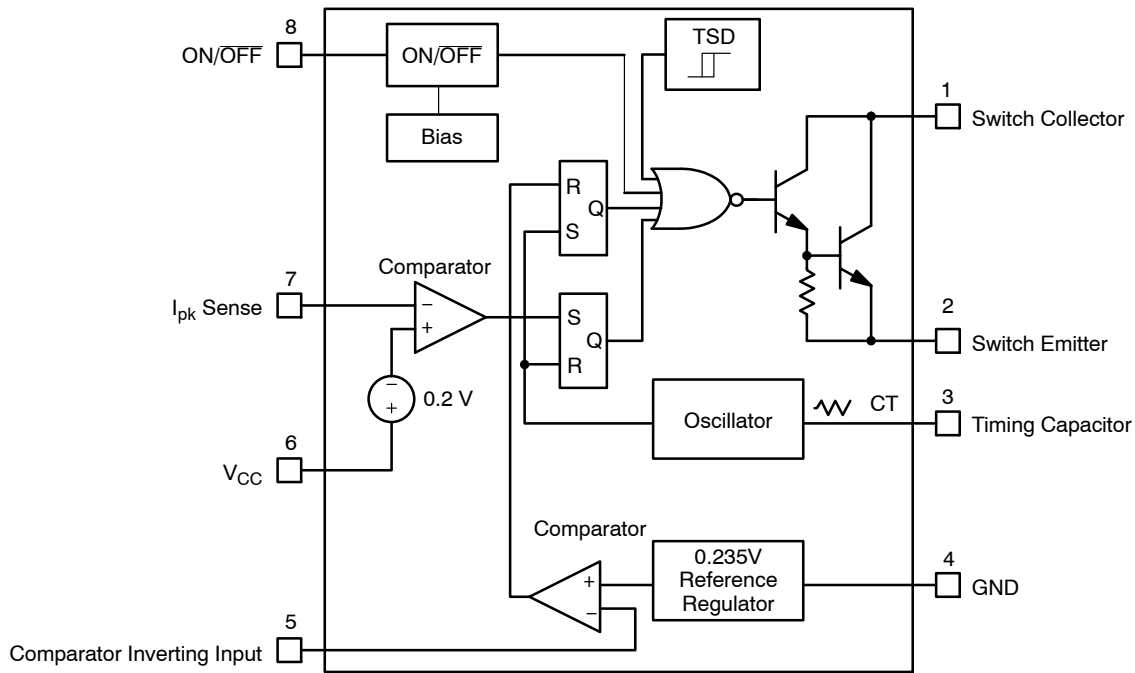


Figure 4. Block Diagram

PIN DESCRIPTION

| Pin No. | | Pin Name | Description |
|---------|------------|----------------------------|---|
| PDIP8 | DFN8 | | |
| 1 | 1 | Switch Collector | Internal Darlington switch collector. |
| 2 | 2 | Switch Emitter | Internal Darlington switch emitter. |
| 3 | 3 | Timing Capacitor | Timing Capacitor to control the switching frequency. |
| 4 | 4, EP Flag | GND | Ground pin for all internal circuits. |
| 5 | 5 | Comparator Inverting Input | Inverting input pin of internal comparator. |
| 6 | 6 | V _{CC} | Voltage Supply |
| 7 | 7 | I _{pk} Sense | Peak Current Sense Input to monitor the voltage drop across an external resistor to limit the peak current through the circuit. |
| 8 | 8 | ON/OFF | ON/OFF Pin. To disable the device, this input should be pulled below 0.8 V. If the pin is left floating, it will be disabled. |

NCP3066, NCV3066

MAXIMUM RATINGS (measured vs. Pin 4, unless otherwise noted)

| Rating | Symbol | Value | Unit |
|--|--------------|--------------------------|------|
| VCC Pin 6 | V_{CC} | 0 to +42 | V |
| Comparator Inverting Input Pin 5 | V_{CII} | -0.3 to + V_{CC} | V |
| Darlington Switch Collector Pin 1 | V_{SWC} | -0.3 to + 42 | V |
| Darlington Switch Emitter Pin 2 (Transistor OFF) | V_{SWE} | -0.6 to + V_{CC} | V |
| Darlington Switch Collector to Emitter Pins 1-2 | V_{SWCE} | -0.3 to + 42 | V |
| Darlington Switch Current | I_{SW} | 1.5 | A |
| I_{pk} Sense Pin 7 | V_{IPK} | -0.3 to $V_{CC} + 0.3$ | V |
| Timing Capacitor Pin Voltage (Pin 3) | V_{TC} | -0.2 to +1.4 | V |
| Moisture Sensitivity Level | MSL | 1 | - |
| Lead Temperature Soldering | T_{SLD} | 260 | °C |
| ON/OFF Pin voltage | $V_{ON/OFF}$ | (-0.3 to +25) < V_{CC} | V |

POWER DISSIPATION AND THERMAL CHARACTERISTICS

| | | | |
|---|------------------------------------|-------------------------|------|
| PDIP-8 (Note 5) Thermal Resistance Junction-to-Air | $R_{\theta JA}$ | 100 | °C/W |
| SOIC-8 (Note 5) Thermal Resistance Junction-to-Air | $R_{\theta JA}$ | 180 | °C/W |
| DFN-8 (Note 5) Thermal Resistance Junction-to-Air Thermal Resistance Junction-to-Case | $R_{\theta JA}$ $R_{\theta JC}$ | 78 14 | °C/W |
| Storage Temperature Range | T_{STG} | -65 to +150 | °C |
| Maximum Junction Temperature | T_{JMAX} | +150 | °C |
| Operating Junction Temperature Range (Note 3) NCP3066 NCV3066 | T_J | 0 to +85 -40 to +125 | °C |

Stresses exceeding those listed in the Maximum Ratings table may damage the device. If any of these limits are exceeded, device functionality should not be assumed, damage may occur and reliability may be affected.

- This device series contains ESD protection and exceeds the following tests:
Pin 1-8: Human Body Model 2000 V per AEC Q100-002; 003 or JESD22/A114; A115
Machine Model Method 200 V
- This device contains latch-up protection and exceeds 100 mA per JEDEC Standard JESD78.
- The relation between junction temperature, ambient temperature and Total Power dissipated in IC is $T_J = T_A + R_{\theta} \cdot P_D$.
- The pins which are not defined may not be loaded by external signals.
- 35 μm copper, 10 cm^2 copper area.

NCP3066, NCV3066

ELECTRICAL CHARACTERISTICS ($V_{CC} = 5.0\text{ V}$, $-40^{\circ}\text{C} < T_J < +125^{\circ}\text{C}$ for NCV3066, $0^{\circ}\text{C} < T_J < +85^{\circ}\text{C}$ for NCP3066 unless otherwise specified)

| Symbol | Characteristic | Conditions | Min | Typ | Max | Unit |
|--------|----------------|------------|-----|-----|-----|------|
|--------|----------------|------------|-----|-----|-----|------|

OSCILLATOR

| | | | | | | |
|-------------------------|-----------------------------------|--|-----|------|-----|---------------|
| f_{OSC} | Frequency | ($V_{Pin5} = 0\text{ V}$, $C_T = 2.2\text{ nF}$, $T_J = 25^{\circ}\text{C}$) | 110 | 150 | 190 | kHz |
| I_{DISCHG}/I_{CHG} | Discharge to Charge Current Ratio | (Pin 7 to V_{CC} , $T_J = 25^{\circ}\text{C}$) | 5.5 | 6.0 | 6.5 | - |
| I_{DISCHG} | Capacitor Discharging Current | (Pin 7 to V_{CC} , $T_J = 25^{\circ}\text{C}$) | | 1650 | | μA |
| I_{CHG} | Capacitor Charging Current | (Pin 7 to V_{CC} , $T_J = 25^{\circ}\text{C}$) | | 275 | | μA |
| $V_{IPK(\text{Sense})}$ | Current Limit Sense Voltage | ($T_J = 25^{\circ}\text{C}$) (Note 7) | 165 | 200 | 235 | mV |

OUTPUT SWITCH (Note 6)

| | | | | | | |
|-------------------------|---|---|--|-----|-----|---------------|
| $V_{SWCE(\text{DROP})}$ | Darlington Switch Collector to Emitter Voltage Drop | ($I_{SW} = 1.0\text{ A}$, $T_J = 25^{\circ}\text{C}$) (Note 6) | | 1.0 | 1.3 | V |
| $I_{C(\text{OFF})}$ | Collector Off-State Current | ($V_{CE} = 40\text{ V}$) | | 1.0 | 10 | μA |

COMPARATOR

| | | | | | | |
|--------------------|-----------------------------------|---|-------|------|------|----|
| V_{TH} | Threshold Voltage | $T_J = 25^{\circ}\text{C}$ | | 235 | | mV |
| | | $T_J = 0^{\circ}\text{C}$ to 85°C | -5% | 235 | +5% | |
| | | $T_J = -40^{\circ}\text{C}$ to $+125^{\circ}\text{C}$ | -10% | 235 | +10% | |
| REG_{LINE} | Threshold Voltage Line Regulation | ($V_{CC} = 3.0\text{ V}$ to 40 V) | -6.0 | 2.0 | 6.0 | mV |
| $I_{CI\text{ in}}$ | Input Bias Current | ($V_{in} = V_{th}$) | -1000 | -100 | 1000 | nA |

ON/OFF FEATURE

| | | | | | | |
|---------------|---|--|------------|--------|------------|---------------|
| V_{IH} | ON/OFF Pin Logic Input Level High $V_{OUT} = 0\text{ V}$ | $T_J = 25^{\circ}\text{C}$ $T_J = 0^{\circ}\text{C}$ to $+85^{\circ}\text{C}$ | 2.2 2.4 | - - | - - | V |
| V_{IL} | ON/OFF Pin Logic Input Level Low $V_{OUT} = \text{Nominal Output Voltage}$ | $T_J = 25^{\circ}\text{C}$ $T_J = 0^{\circ}\text{C}$ to $+85^{\circ}\text{C}$ | - - | - - | 1.0 0.8 | V |
| I_{IH} | ON/OFF Pin Input Current ON/OFF Pin = 5 V (ON) | $T_J = 25^{\circ}\text{C}$ | | 15 | | μA |
| I_{IL} | ON/OFF Pin Input Current ON/OFF Pin = 0 V (OFF) | $T_J = 25^{\circ}\text{C}$ | | 1.0 | | μA |
| T_{ON_MIN} | ON/OFF Pin Minimum Width | $T_J = 25^{\circ}\text{C}$ | | 50 | | μs |

TOTAL DEVICE

| | | | | | | |
|--------------|----------------------------|--|--|-----|------------|--------------------|
| I_{CC} | Supply Current | ($V_{CC} = 5.0\text{ V}$ to 40 V , $C_T = 2.2\text{ nF}$, Pin 7 = V_{CC} , $V_{Pin5} > V_{th}$, Pin 2 = GND, remaining pins open) | | | 7.0 | mA |
| I_{STBY} | Standby Quiescent Current | ON/OFF Pin = 5.0 V (OFF) $T_J = 25^{\circ}\text{C}$ $T_J = -40^{\circ}\text{C}$ to $+125^{\circ}\text{C}$ | | 85 | 120 120 | μA |
| T_{SHD} | Thermal Shutdown Threshold | | | 160 | | $^{\circ}\text{C}$ |
| T_{SHDHYS} | Hysteresis | | | 10 | | $^{\circ}\text{C}$ |

Product parametric performance is indicated in the Electrical Characteristics for the listed test conditions, unless otherwise noted. Product performance may not be indicated by the Electrical Characteristics if operated under different conditions.

6. Low duty cycle pulse techniques are used during test to maintain junction temperature as close to ambient temperature as possible.

7. The V_{IPK} (Sense) Current Limit Sense Voltage is specified at static conditions. In dynamic operation the sensed current turn-off value depends on comparator response time and di/dt current slope. See the Operating Description section for details.

8. NCV prefix is for automotive and other applications requiring site and change control and extended operating temperature conditions.

NCP3066, NCV3066

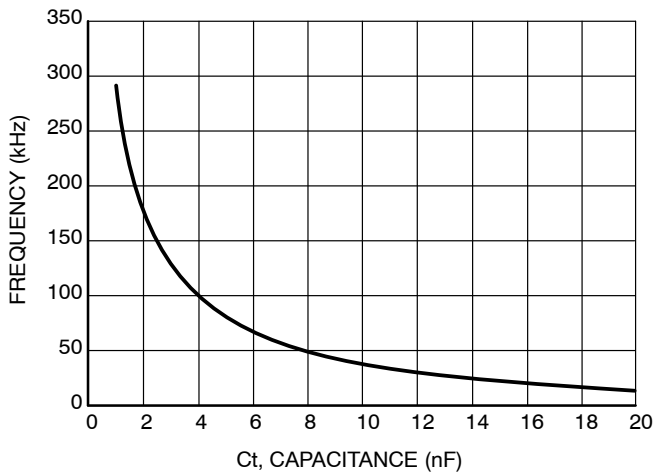


Figure 5. Oscillator Frequency vs. Timing Capacitor

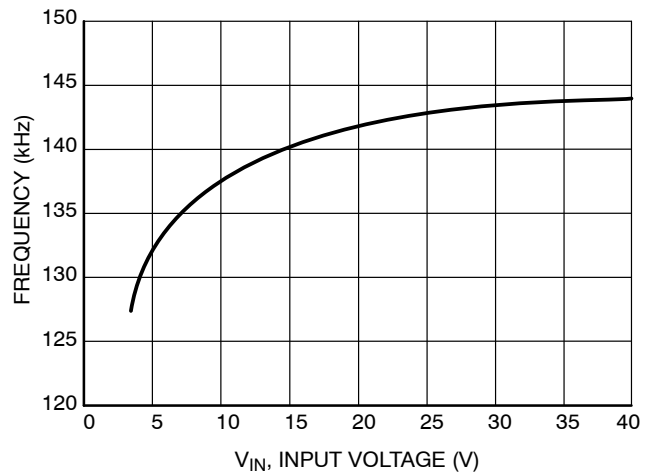


Figure 6. Oscillator Frequency vs. Supply Voltage

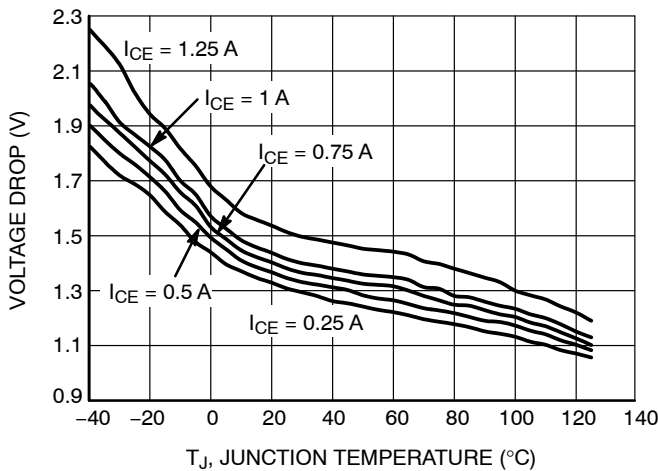


Figure 7. Voltage Drop in Emitter Follower Configuration

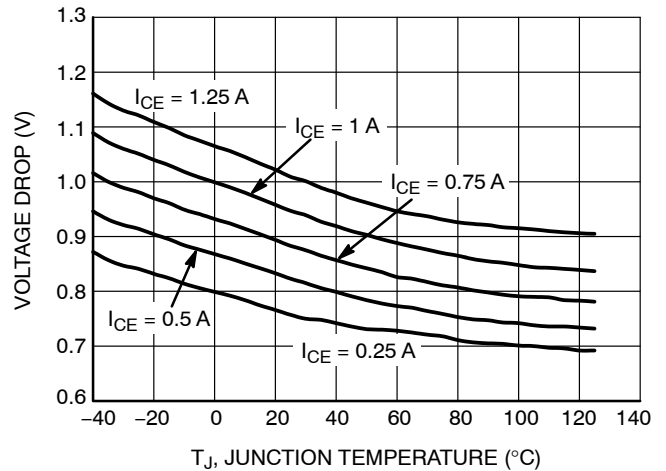


Figure 8. Common Emitter Configuration Output Darlington Switch Voltage Drop vs. Temperature

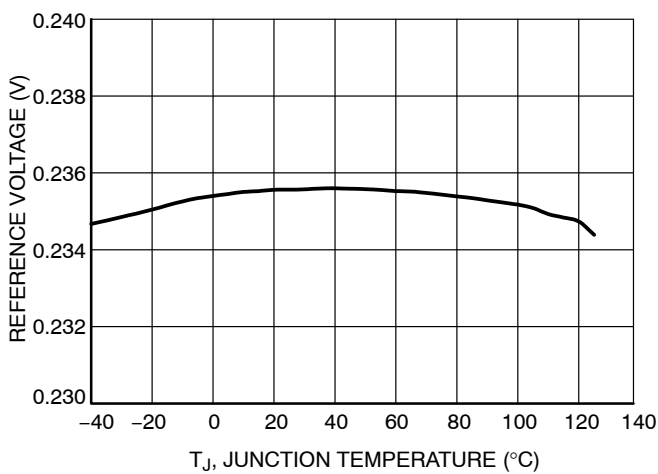


Figure 9. V_{th} vs. Temperature

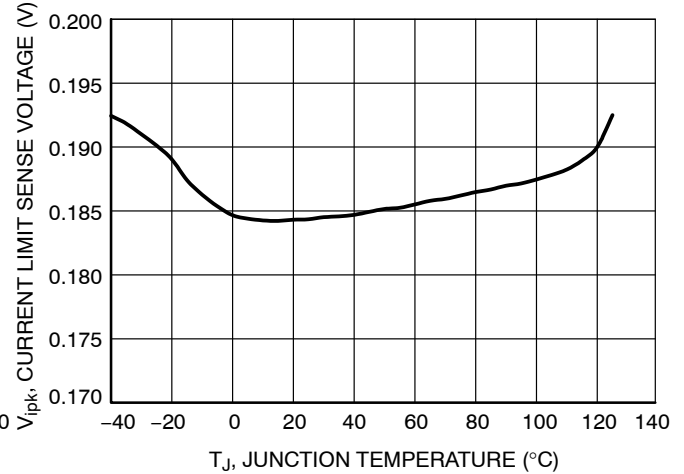


Figure 10. Current Limit Sense Voltage vs. Temperature

NCP3066, NCV3066

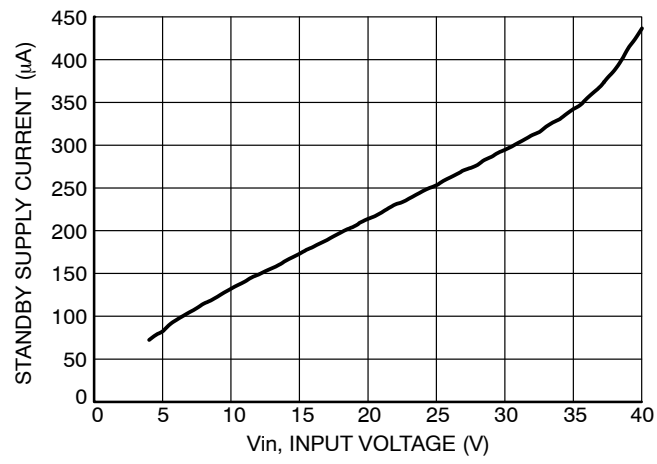


Figure 11. Standby Supply Current vs. Supply Voltage

INTRODUCTION

The NCP3066 is a monolithic power switching regulator optimized for LED Driver applications. Its flexible architecture enables the system designer to directly implement step-up, step-down, and voltage-inverting converters with a minimum number of external components for driving LEDs. A representative block diagram is shown in Figure 3.

Operating Description

The NCP3066 operates as a fixed oscillator frequency output voltage ripple gated regulator. In general, this mode of operation is somewhat analogous to a capacitor charge pump and does not require dominant pole loop compensation for converter stability. The typical operating waveforms are shown in Figure 12. The output voltage waveform is shown for a step-down converter with the ripple and phasing exaggerated for clarity. During initial converter startup, the feedback comparator senses that the output voltage level is below nominal. This causes the output switch to turn on and off at a frequency and duty cycle controlled by the oscillator, thus pumping up the output filter capacitor. When the output voltage level reaches nominal

comparator value, the output switch cycle is inhibited. When the load current causes the output voltage to fall below the nominal value feedback comparator enables switching immediately. Under these conditions, the output switch conduction can be enabled for a partial oscillator cycle, a partial cycle plus a complete cycle, multiple cycles, or a partial cycle plus multiple cycles.

Oscillator

The oscillator frequency and off-time of the output switch are programmed by the value of the timing capacitor C_T . The capacitor C_T is charged and discharged by a 1 to 6 ratio internal current source and sink, generating a positive going sawtooth waveform at Pin 3. This ratio sets the maximum $t_{ON}/(t_{ON} + t_{OFF})$ of the switching converter as $6/(6+1)$ or 85.7% (typical). The oscillator peak and valley voltage difference is 500 mV typically. To calculate the C_T capacitor value for required oscillator frequency, use the equations found in Figure 15. An online NCP3066 design tool can be found at www.onsemi.com, which aids in selecting component values.

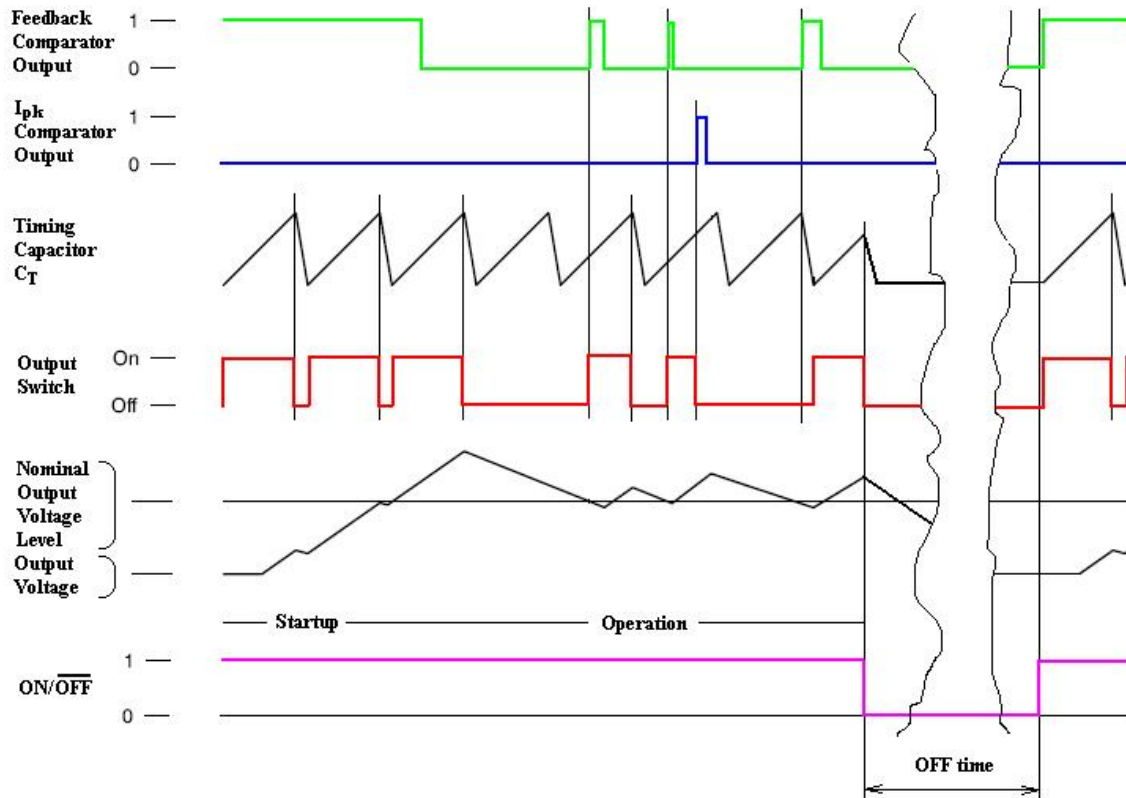


Figure 12. Typical Operating Waveforms

Peak Current Sense Comparator

Under normal conditions, the output switch conduction is initiated by the Voltage Feedback comparator and terminated by the oscillator. Abnormal operating conditions occur when the converter output is overloaded or when feedback voltage sensing is lost. Under these conditions, the I_{pk} Current Sense comparator will protect the Darlington output Switch. The switch current is converted to a voltage by inserting a fractional ohm resistor, R_{Sense} , in series with V_{CC} and Darlington output switch. The voltage drop across R_{Sense} is monitored by the Current Sense comparator. If the voltage drop exceeds 200 mV (nom) with respect to V_{CC} , the comparator will set the latch and terminate the output switch conduction on a cycle-by-cycle basis.

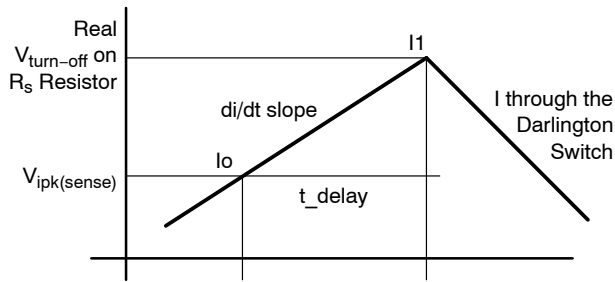


Figure 13. Current Sense Waveform

The $V_{IPK(Sense)}$ Current Limit Sense Voltage threshold is specified at static conditions. In dynamic operation the sensed current turn-off value depends on comparator response time and di/dt current slope.

Real $V_{turn-off}$ on R_{sc} resistor

$$V_{turn-off} = V_{ipk(sense)} + R_{Sense} * (t_{delay} * di/dt)$$

Typical I_{pk} comparator response time t_{delay} is 350 ns. The di/dt current slope is dependent on the voltage difference across the inductor and the value of the inductor. Increasing the value of the inductor will reduce the di/dt slope.

It is recommended to verify the actual peak current in the application at worst conditions to be sure that the max peak current will never get over the 1.5 A Darlington Switch Current max rating.

Thermal Shutdown

Internal thermal shutdown circuitry is provided to protect the IC in the event that the maximum junction temperature is exceeded. When activated, typically at 160°C, the Darlington Output Switch is disabled. The temperature sensing circuit is designed with some hysteresis. The

Darlington Switch is enabled again when the chip temperature decreases under the low threshold. This feature is provided to prevent catastrophic failures from accidental device overheating. It is not intended to be used as a replacement for proper heatsinking.

Output Switch

The output switch is designed in Darlington configuration. This allows the application designer to operate at all conditions at high switching speed and low voltage drop. The Darlington Output Switch is designed to switch a maximum of 40 V collector to emitter voltage and current up to 1.5 A.

ON/OFF Function

The ON/OFF function provides interruption of switching and puts the circuitry into the low consumption mode. This feature is applicable for digital dimming of the LEDs as well. The ON/OFF signal inhibits switching of the regulator and reduces the average current through the LEDs. The frequency of this pulse width-modulated signal with the duty cycle can range from less than 1% to 100% is limited by the value of 1 kHz.

Pulling this pin below 0.8 V or leaving it opened turns the regulator off. In this state the consumption of the device is reduced below 100 uA. Pulling this pin above 2.4 V (up to max. 25 V) allows the regulator running in normal state. If the ON/OFF feature is not needed, the ON/OFF pin can be wired to V_{CC} , provided this voltage does not exceed 25 V.

No Output Capacitor Operation

A traditional buck topology includes an inductor followed by an output capacitor which filters the ripple. The capacitor is placed in parallel with the LED or array of LEDs to lower the ripple current. A constant current buck regulator such as the NCP3066 focuses on the control of the current through the load, not the voltage across it. The switching frequency of the NCP3066 is in the range of 100–250 kHz which is much higher than the human eye can detect. By configuring the NCP3066 in a continuous conduction buck configuration with low peak to peak ripple the output filter capacitor can be eliminated. The important design parameter is to keep the peak current below the maximum current rating of the LED. Using 15–40% peak to peak ripple results in a good compromise between achieving max average output current without exceeding the maximum limit. This saves space and reduces part count for applications.

APPLICATIONS

Figures 15 through 24 show the simplicity and flexibility of the NCP3066. Two main converter topologies are demonstrated with actual test data shown below each of the circuit diagrams. The demo boards have an input for a digital dimming signal. You can provide a PWM signal to change

the average output current and reduce the LED brightness. Figure 14 gives the relevant design equations for the key parameters. Additionally, a complete application design aid for the NCP3066 can be found at www.onsemi.com.

| Parameter | Step-Down | Step-Up |
|---------------------------------------|---|---|
| $\left(\frac{t_{on}}{t_{off}}\right)$ | $\frac{V_{out} + V_F}{V_{in} - V_{SWCE} - V_{out}}$ | $\frac{V_{out} + V_F - V_{in}}{V_{in} - V_{SWCE}}$ |
| t_{on} | $\frac{\frac{t_{on}}{t_{off}}}{f \times \left(\frac{t_{on}}{t_{off}} + 1\right)}$ | $\frac{\frac{t_{on}}{t_{off}}}{f \times \left(\frac{t_{on}}{t_{off}} + 1\right)}$ |
| C_T | $C_T = \frac{381.6 \cdot 10^{-6}}{f_{osc}} - 343 \times 10^{-12}$ | |
| $I_{L(avg)}$ | I_{out} | $I_{out} \times \left(\frac{t_{on}}{t_{off}} + 1\right)$ |
| $I_{pk(Switch)}$ | $I_{L(avg)} + \frac{\Delta I_L}{2}$ | $I_{L(avg)} + \frac{\Delta I_L}{2}$ |
| R_{SC} | $\frac{0.20}{I_{pk(Switch)}}$ | $\frac{0.20}{I_{pk(Switch)}}$ |
| L | $\left(\frac{V_{in} - V_{SWCE} - V_{out}}{\Delta I_L}\right) \times t_{on}$ | $\left(\frac{V_{in} - V_{SWCE}}{\Delta I_L}\right) \times t_{on}$ |
| $V_{ripple(pp)}$ | $\Delta I_L \sqrt{\left(\frac{1}{8 f C_O}\right)^2 + (ESR)^2}$ | $\frac{t_{on} I_{out}}{C_O} + \Delta I_L \times ESR$ |
| I_{out} | $\frac{V_{ref}}{R_s}$ | $\frac{V_{ref}}{R_s}$ |

9. V_{SWCE} – Darlington Switch Collector to Emitter Voltage Drop, refer to Figures 7 and 8.
 10. V_F – Output rectifier forward voltage drop. Typical value for 1N5819 Schottky barrier rectifier is 0.4 V.
 11. The calculated t_{on}/t_{off} must not exceed the minimum guaranteed oscillator charge to discharge ratio.

Figure 14. Design Equations

The Following Converter Characteristics Must Be Chosen:

V_{in} – Nominal operating input voltage.

V_{out} – Desired output voltage.

I_{out} – Desired output current.

ΔI_L – Desired peak-to-peak inductor ripple current. For maximum output current it is suggested that ΔI_L be chosen to be less than 10% of the average inductor current $I_{L(avg)}$. This will help prevent $I_{pk(Switch)}$ from reaching the current limit threshold set by R_{SC} . If the design goal is to use a minimum inductance value, let $\Delta I_L = 2(I_{L(avg)})$. This will proportionally reduce converter output current capability.

f – Maximum output switch frequency.

$V_{ripple(pp)}$ – Desired peak-to-peak output ripple voltage. For best performance the ripple voltage should be kept to a low value since it will directly affect line and load regulation. Capacitor C_O should be a low equivalent series resistance (ESR) electrolytic designed for switching regulator applications.

NCP3066, NCV3066

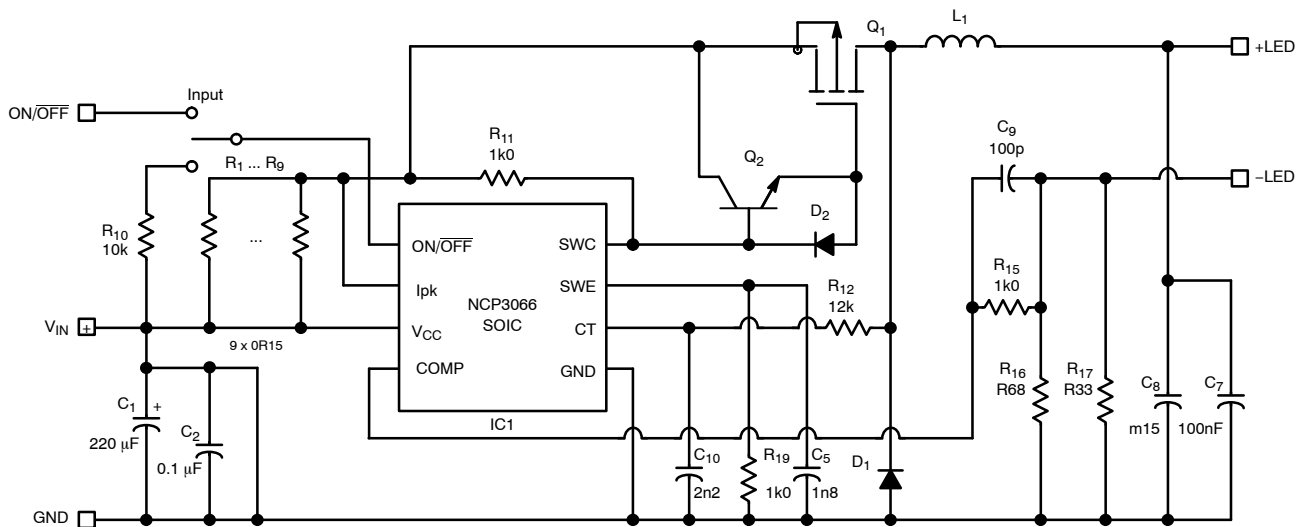


Figure 15. Buck Demoboard with External Switch Application Schematic

Table 1. BILL OF MATERIALS

| Designator | Qty | Description | Value | Tolerance | Footprint | Manufacturer | Manufacturer Part Number |
|-------------|--------|-------------------------------|-----------------|-----------|------------------|------------------|--------------------------|
| R1;R2;R3;R4 | 4 | Resistor | 0.15R | 1% | 1206 | Susumu | RL1632R-R150-F |
| R10 | 1 | Resistor | 10k | 1% | 1206 | Rohm | MCR18EZH1002 |
| R11;R15 | 2 | Resistor | 1k | 1% | 1206 | Rohm | MCR18EZF1001 |
| R12 | NU | Resistor | 12k | 1% | 1206 | Rohm | MCR18EZH1202 |
| R16 | 1 | Resistor | 0.68R | 5% | 1210 | Panasonic - ECG | ERJ-14RQJR68U |
| R17 | OPTION | Resistor | 0.33R | 5% | 1210 | Panasonic - ECG | ERJ-14RQJR33U |
| R19 | 1 | Resistor | 1k | 5% | 1210 | Panasonic - ECG | ERJ-14YJ102U |
| C1 | 1 | Capacitor | 220 μ F/35V | 20% | 10x12.5 | Panasonic | EEUFC1V221 |
| C2;C7 | 2 | Capacitor | 100nF | 10% | 1206 | Kemet | C1206C104K5RACTU |
| C5 | 1 | Capacitor | 1.8nF | 10% | 1206 | Kemet | C1206C182K5RACTU |
| C8 | 1 | Capacitor | 150 μ F/16V | 20% | F8 | SANYO | 16SP150M |
| C9 | 1 | Capacitor | 100pF | 10% | 1206 | Vishay/Vitramon | VJ1206Y101KXEAT5Z |
| C10 | 1 | Capacitor | 2.2nF | 10% | 1206 | Kemet | C1206C222K5RACTU |
| Q1 | 1 | Power MOSFET -25A, -30V | NTD18P03L | - | DPAK | ON Semiconductor | NTD18P03L |
| Q2 | 1 | Switching NPN Transistor | MMBT489LT1G | - | SOT-23 | ON Semiconductor | MMBT489LT1G |
| D2 | 1 | 1A, 30V Schottky Rectifier | MBR130T1G | - | SOD123 | ON Semiconductor | MBR130T1G |
| IC1 | 1 | Switching Regulator | NCP3066DR2G | - | SOIC-8 | ON Semiconductor | NCP3066DR2G |
| D1 | 1 | 3A, 30V Schottky Rectifier | MBRS330T3G | - | SMC | ON Semiconductor | MBRS330T3G |
| L1 | 1 | Inductor | 47 μ H | 20% | Wurth Elektronik | Wurth Elektronik | WE-PD4 74457147 |

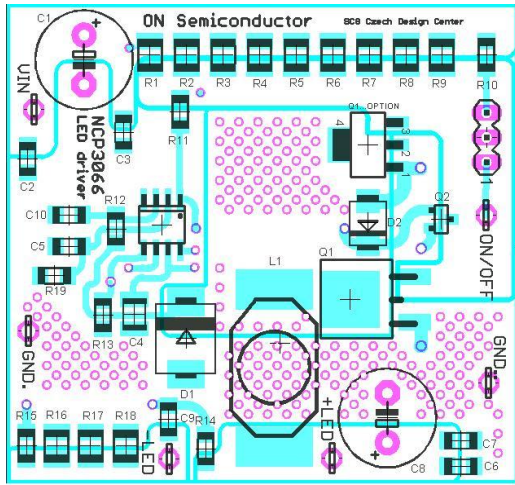


Figure 16. Buck with External Switch Demoboard Layout

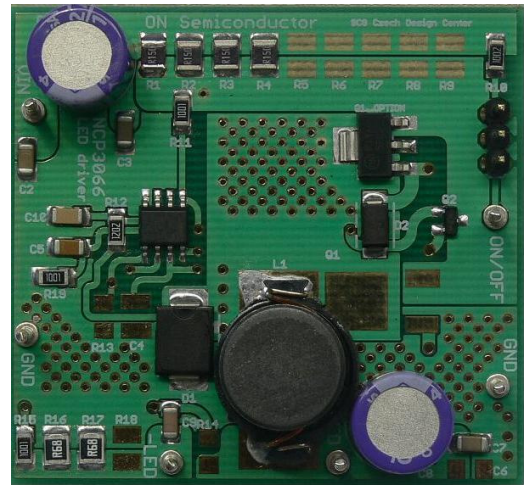


Figure 17. Buck with External Switch Demoboard Photo

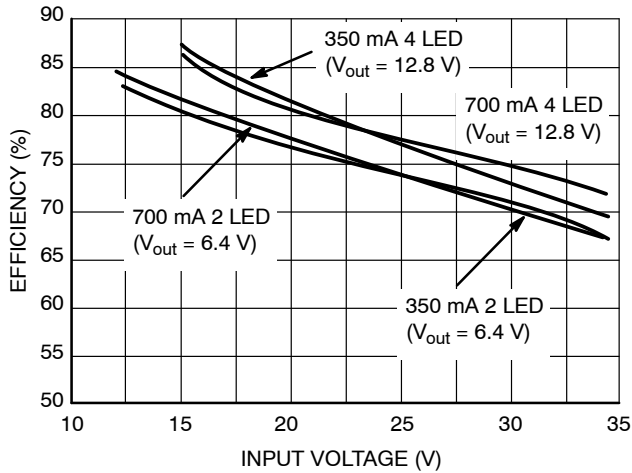


Figure 18. Efficiency of Buck LED Driver

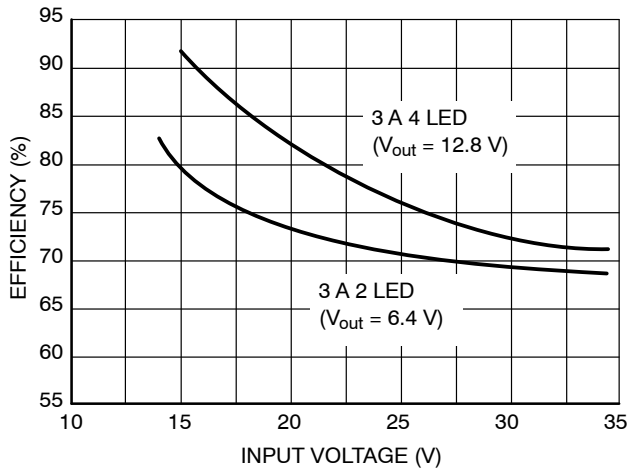


Figure 19. Efficiency of Buck LED Driver at I_{out} = 3 A

Figure 15, Buck Demoboard With External Switch Application Schematic illustrates the NCP3066 being used as a PFET controller. Table 1. Bill Of Materials shows the small number of additional parts which are necessary to assemble mentioned demoboard. The demoboard based on two layer PCB and the layout is mentioned in Figure 16. Buck Demoboard Layout. The Line regulation is mentioned in Figure 20, Line Regulation. The Figure 21, Dimming characteristic shows behavior of circuitry in case the square wave signal with 5 V amplitude and 300 Hz frequency was delivered into ON/OFF pin of device.

NCP3066, NCV3066

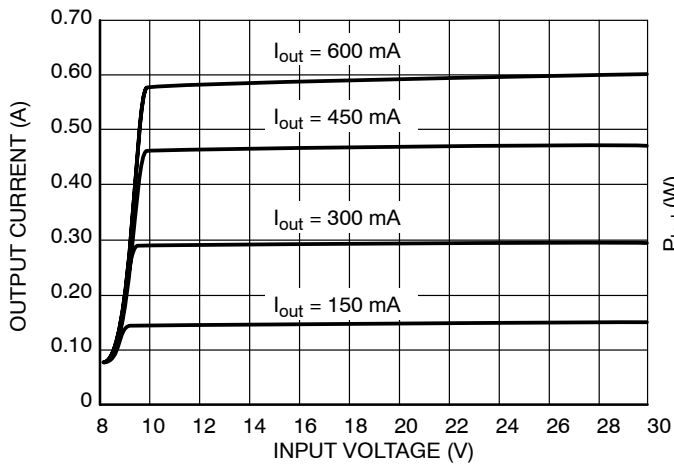


Figure 20. Line Regulation

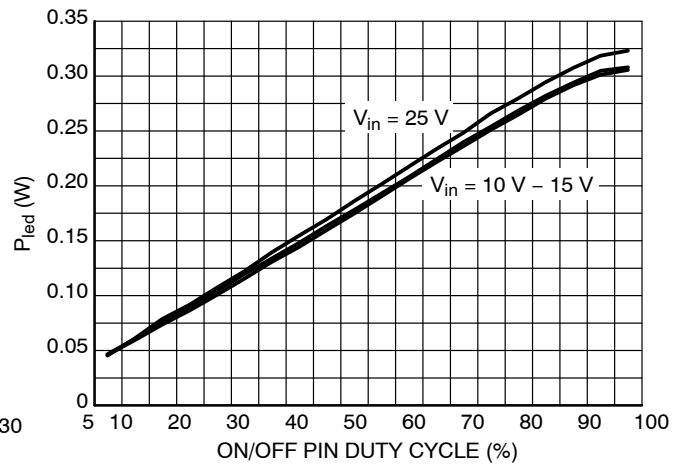


Figure 21. Dimming Characteristic

Table 2. TEST RESULTS

| | | |
|-----------------|--|--------|
| Line Regulation | V _{in} = 12 V to 35 V, I _{out} = 3000 mA | 250 mA |
| Output Ripple | V _{in} = 12 V, I _{out} = 3000 mA | 320 mA |
| Efficiency | V _{in} = 12 V, I _{out} = 3000 mA | 80% |

NCP3066, NCV3066

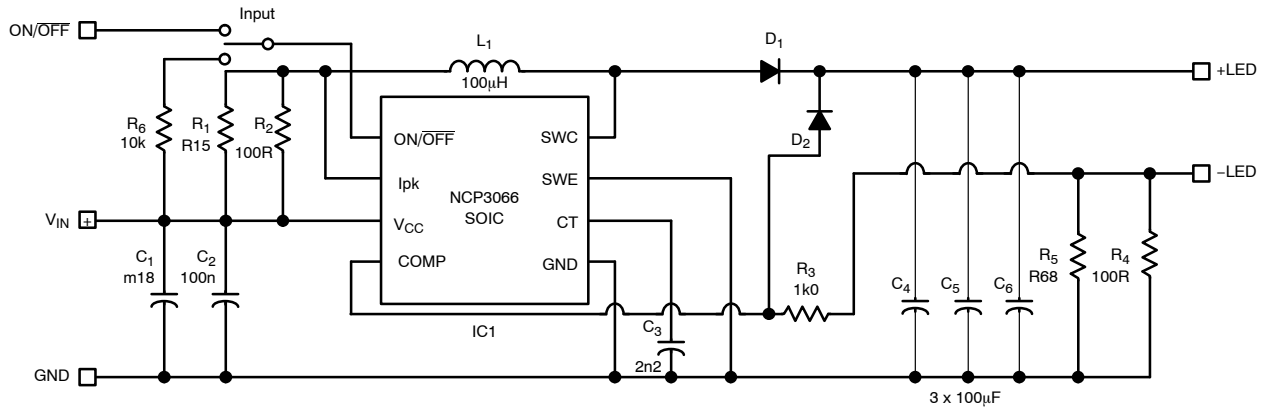


Figure 22. Boost demoboard Application Schematic

Table 3. BILL OF MATERIALS

| Designator | Qty | Description | Value | Tolerance | Foot-print | Manufacturer | Manufacturer Part Number |
|------------|-----|---------------------|---------------|-----------|------------|------------------|--------------------------|
| R1 | 1 | Resistor | 0.15R | 1% | 1206 | Susumu | RL1632R-R150-F |
| R2;R4 | NU | Resistor | 100R | 1% | 1206 | Vishay/Dale | CRCW1206100RFKEA |
| R3 | 1 | Resistor | 1k | 1% | 1206 | Rohm | MCR18EZPF1001 |
| R5 | 1 | Resistor | 0.68R | 5% | 1210 | Panasonic - ECG | ERJ-14RQJR68U |
| R6 | 1 | Resistor | 10k | 1% | 1206 | Rohm | MCR18EZH1002 |
| C1 | 1 | Capacitor | 180µF | 20% | F8 | SANYO | 16SVPS180M |
| C2 | 1 | Capacitor | 100nF | 10% | 1206 | Kemet | C1206C104K5RACTU |
| C3 | 1 | Capacitor | 2.2nF | 10% | 1206 | Kemet | C1206C222K5RACTU |
| C4,C5,C6 | 3 | Capacitor | 100µF | 20% | 1210 | TDK | C4532Y5V1A107Z |
| C10 | 1 | Capacitor | 2.2nF | 10% | 1206 | Kemet | C1206C222K5RACTU |
| IC1 | 1 | Switching Regulator | NCP3066DR2G | - | SOIC-8 | ON Semiconductor | NCP3066DR2G |
| D1 | 1 | Diode | MBRS1540T3G | - | SMB | ON Semiconductor | MBRS1540T3G |
| D2 | 1 | Zener Diode | BZX84B18VLT1G | - | SOT-23 | ON Semiconductor | BZX84B18VLT1G |
| L2 | 1 | Inductor | 100µH | 20% | Coilcraft | Coilcraft | DO3316P-104MLB |

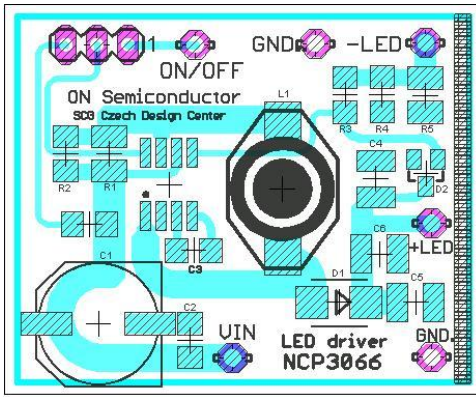


Figure 23. Boost Demoboard Layout

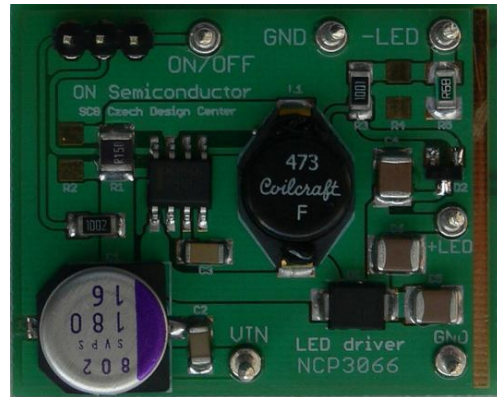


Figure 24. Boost Demonstration Photo

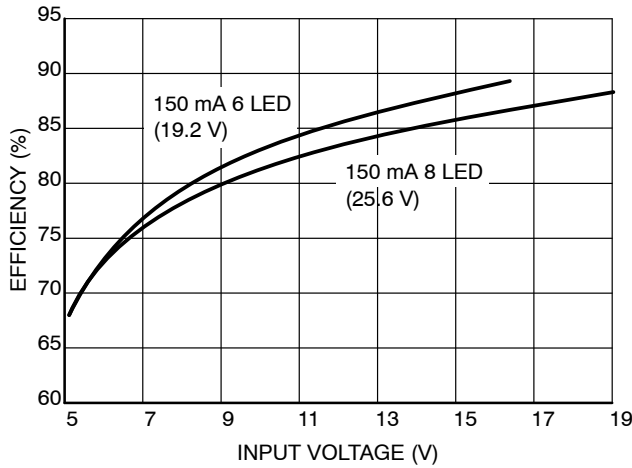


Figure 25. Boost LED Driver Efficiency

Figure 22, Boost Demoboard Application Schematic, illustrates the basic circuitry in boost topology, which allows supplying string up to eight LEDs up to 150 mA consumption. Table 3, Bill of Materials shows the small number of additional parts which are necessary to assembly mentioned demoboard. The demoboard based on one layer PCB and the layout is shown in Figure 23, Buck Demoboard Layout. The photo of this demoboard is mentioned in Figure 24, Boost Demoboard Photo. Figure 26, Dimming Characteristic shows behavior of circuitry in case the square wave signal with 5 V amplitude and 300 Hz frequency was delivered into ON/OFF pin of device. There was tested eight LEDs string with 150 mA consumption and $V_{IN} = 10\text{ V}$ at room temperature.

The efficiency of this demoboard is mentioned in Figure 25. Efficiency of Boost LED Driver.

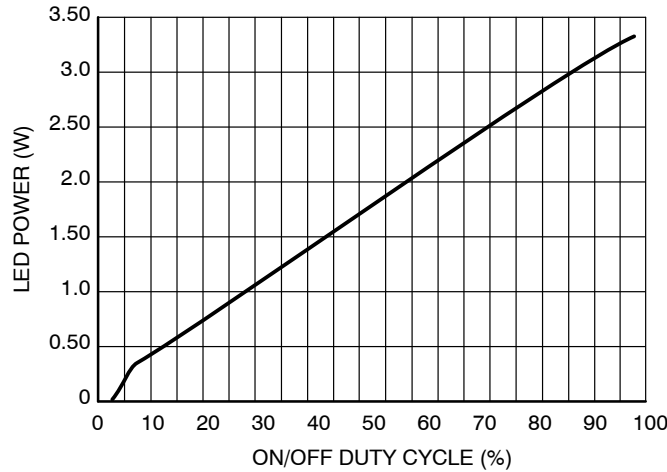


Figure 26. Dimming Characteristic

Table 4. TEST RESULTS

| | | |
|-----------------|---|-------|
| Line Regulation | $V_{in} = 10\text{ V}$ to 20 V , $V_{out} = 19.2\text{ V}$, $I_{out} = 350\text{ mA}$ | 25 mA |
| Output Ripple | $V_{in} = 10\text{ V}$ to 20 V , $V_{out} = 19.2\text{ V}$, $I_{out} = 350\text{ mA}$ | 55 mA |
| Efficiency | $V_{in} = 12\text{ V}$, $V_{out} = 19.2\text{ V}$, $I_{out} = 350\text{ mA}$ | 85% |

NCP3066, NCV3066

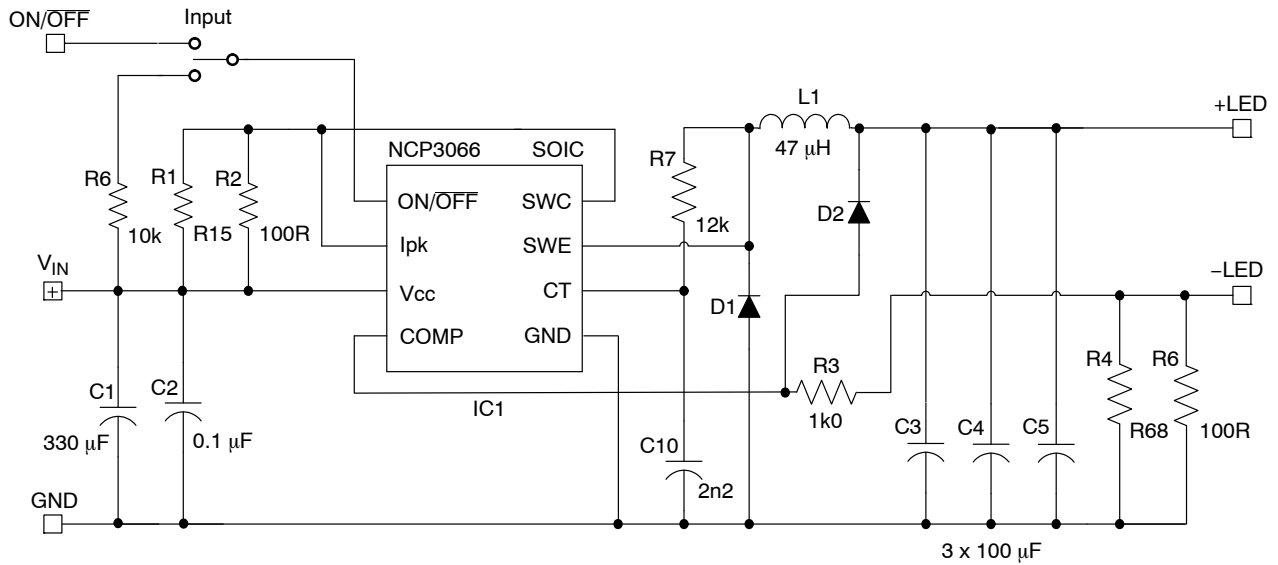


Figure 27. Buck Demoboard Application Schematic

Table 5. BILL OF MATERIALS

| Designator | Qty. | Description | Value | Tolerance | Footprint | Manufacturer | Manufacturer Part Number |
|------------|------|---------------------|-----------|-----------|-----------|------------------|--------------------------|
| R1 | 1 | Resistor | 0.15R | 1% | 1206 | Susumu | RL1632R-R150-F |
| R2; R5 | NU | Resistor | 100R | 1% | 1206 | Vishay/Dale | CRCW1206100RFKEA |
| R3 | 1 | Resistor | 1 k | 1% | 1206 | Rohm | MCR18EZPF1001 |
| R4 | 1 | Resistor | 0.68R | 5% | 1210 | Panasonic - ECG | ERJ-14RQJR68U |
| R6 | 1 | Resistor | 10 k | 1% | 1206 | Rohm | MCR18EZH1002 |
| R7 | NU | Resistor | 12 k | 1% | 1206 | Rohm | MCR18EZPF1202 |
| C1 | 1 | Capacitor | 330 µF | 20% | F8 | PANASONIC | EEEFK1E331GP |
| C2 | 1 | Capacitor | 100 nF | 10% | 1206 | Kemet | C1206C104K5RACTU |
| C3 | 1 | Capacitor | 2.2 nF | 10% | 1206 | Kemet | C1206C222K5RACTU |
| C4, C5, C6 | 3 | Capacitor | 100 µF | 20% | 1210 | TDK | C4532Y5V1A107Z |
| IC1 | 1 | Switching Regulator | NCP3066 | - | SOIC8 | ON Semiconductor | NCP3066DR2G |
| D1 | 1 | Diode | MBRS1504 | - | SMB | ON Semiconductor | MBRS1504T3G |
| D2 | 1 | Zener Diode | BZX84C8V2 | - | SOT23 | ON Semiconductor | BZX84C8V2LT1G |
| L1 | 1 | Inductor | 47 µH | 20% | DO3316 | CoilCraft | DO3316P-473MLB |

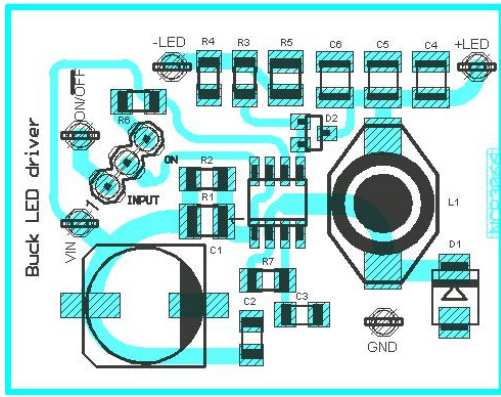


Figure 28. Buck Demoboard Layout

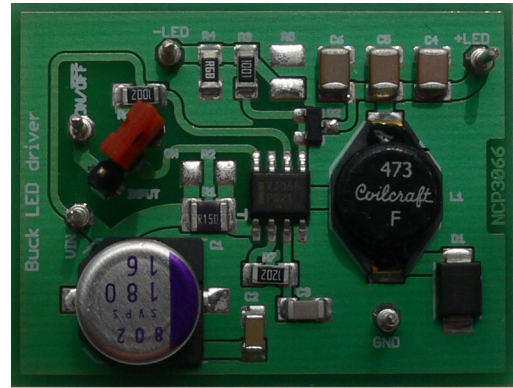


Figure 29. Buck Demonstration Photo

The Figure 27 Buck demoboard Application schematic illustrates the basic circuitry in buck topology, which allows supplying one or two LEDs up to 350 mA consumption. The TABLE 5 BILL OF MATERIALS shows the small number of additional parts which are necessary to assembly

mentioned demoboard. The demoboard based on one layer PCB and the layout is mentioned in Figure 28 Buck Demoboard Layout. The Line regulation is mentioned in Figure 30 Line Regulation. The Figure 31 shows efficiency of Buck LED Driver.

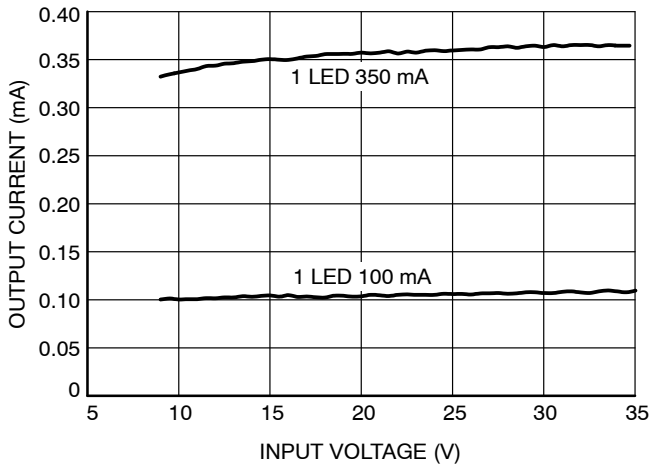


Figure 30. Line Regulation

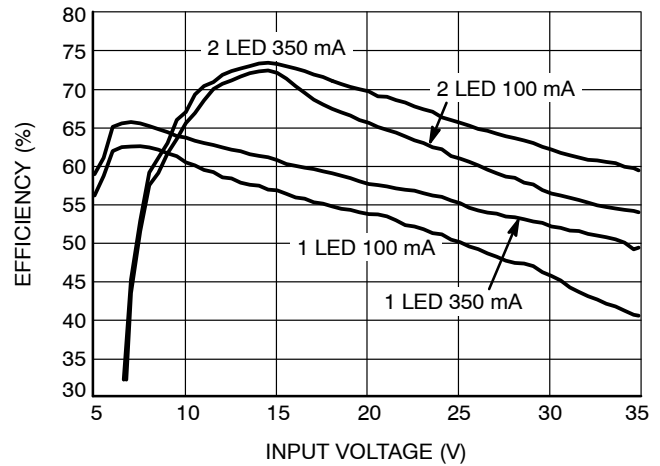


Figure 31. Efficiency of Buck LED Driver

Table 6. TEST RESULTS

| | | |
|-----------------|--|-------|
| Line Regulation | Vin = 8 V to 20 V, Vout = 3.2 V, Iout = 350 mA | 19 mA |
| Output Ripple | Vin = 8 V to 20 V, Vout = 3.2 V, Iout = 350 mA | 32 mA |
| Efficiency | Vin = 12 V, Vout = 3.2 V, Iout = 350 mA | 62% |

NCP3066, NCV3066

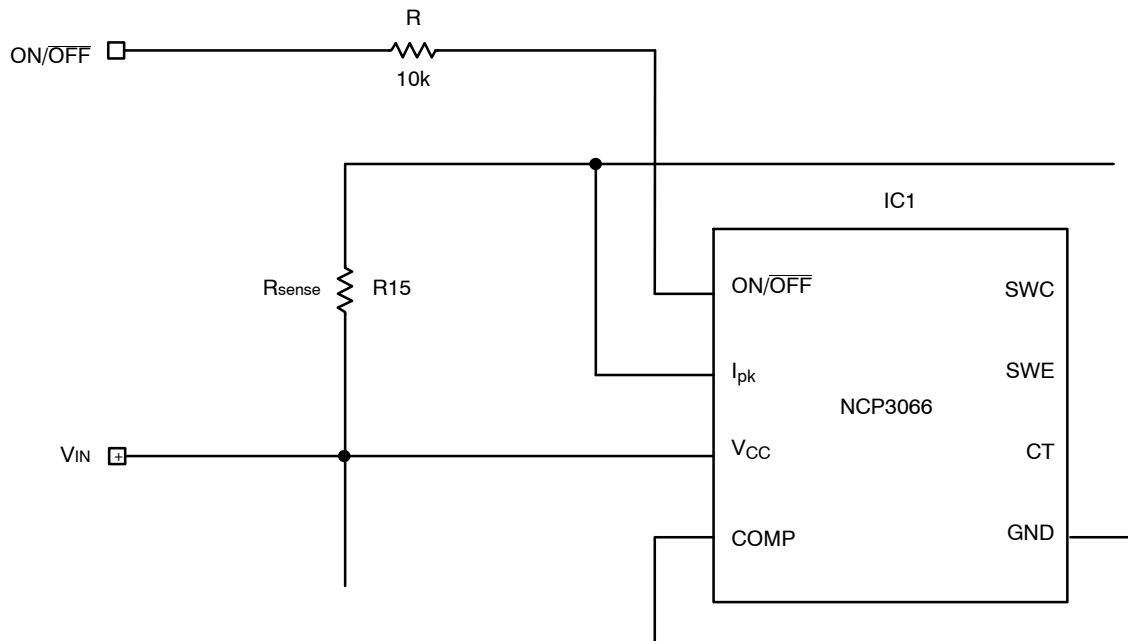


Figure 32. ON/OFF Serial Resistor Connection

If the application allows ON/OFF pin to be biased by voltage and the power supply is not connected to Vcc pin at the same time, then it is recommended to limit ON/OFF current by resistor with value 10 kΩ to protect the NCP3066 device. This situation is mentioned in Figure 32, ON/OFF Serial Resistor Connection.

This resistor shifts the ON/OFF threshold by about 200 mV to higher value, but the TTL logic compatibility is kept in full range of input voltage and operating temperature range.

ORDERING INFORMATION

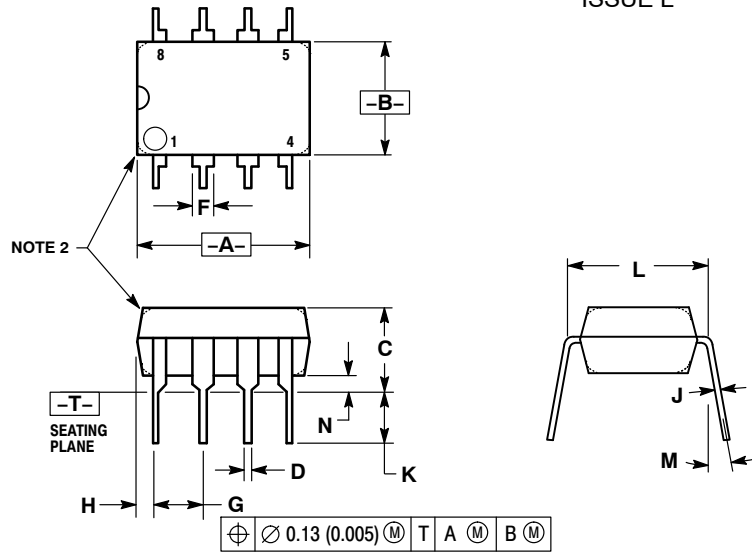
| Device | Package | Shipping† |
|--------------|---------------------|--------------------|
| NCP3066MNTXG | DFN-8 (Pb-Free) | 4000 / Tape & Reel |
| NCP3066PG | PDIP-8 (Pb-Free) | 50 Units / Rail |
| NCP3066DR2G | SOIC-8 (Pb-Free) | 2500 / Tape & Reel |
| NCV3066MNTXG | DFN-8 (Pb-Free) | 4000 / Tape & Reel |
| NCV3066PG | PDIP-8 (Pb-Free) | 50 Units / Rail |
| NCV3066DR2G | SOIC-8 (Pb-Free) | 2500 / Tape & Reel |

†For information on tape and reel specifications, including part orientation and tape sizes, please refer to our Tape and Reel Packaging Specifications Brochure, BRD8011/D.

NCP3066, NCV3066

PACKAGE DIMENSIONS

8 LEAD PDIP CASE 626-05 ISSUE L



NOTES:

1. DIMENSION L TO CENTER OF LEAD WHEN FORMED PARALLEL.
2. PACKAGE CONTOUR OPTIONAL (ROUND OR SQUARE CORNERS).
3. DIMENSIONING AND TOLERANCING PER ANSI Y14.5M, 1982.

| DIM | MILLIMETERS | | INCHES | |
|-----|-------------|-------|-----------|-------|
| | MIN | MAX | MIN | MAX |
| A | 9.40 | 10.16 | 0.370 | 0.400 |
| B | 6.10 | 6.60 | 0.240 | 0.260 |
| C | 3.94 | 4.45 | 0.155 | 0.175 |
| D | 0.38 | 0.51 | 0.015 | 0.020 |
| F | 1.02 | 1.78 | 0.040 | 0.070 |
| G | 2.54 BSC | | 0.100 BSC | |
| H | 0.76 | 1.27 | 0.030 | 0.050 |
| J | 0.20 | 0.30 | 0.008 | 0.012 |
| K | 2.92 | 3.43 | 0.115 | 0.135 |
| L | 7.62 BSC | | 0.300 BSC | |
| M | --- | 10° | --- | 10° |
| N | 0.76 | 1.01 | 0.030 | 0.040 |

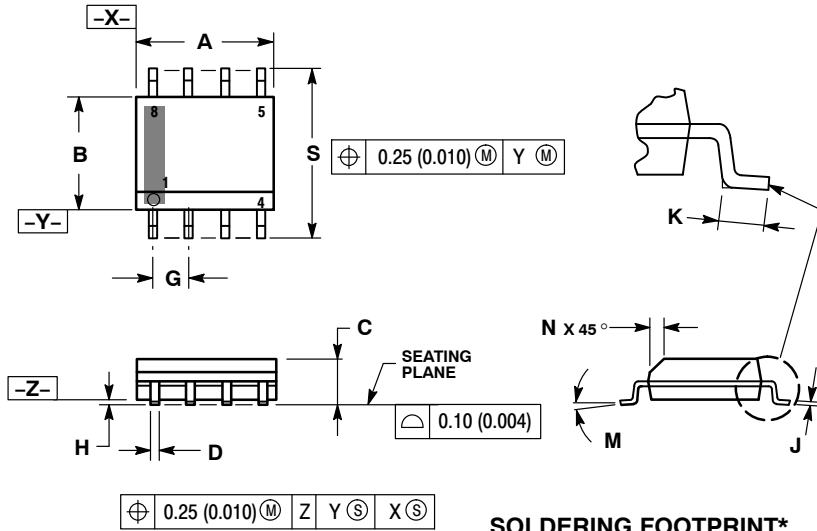
STYLE 1:

- PIN 1. AC IN
- DC + IN
- DC - IN
- AC IN
- GROUND
- OUTPUT
- AUXILIARY
- V_{CC}

NCP3066, NCV3066

PACKAGE DIMENSIONS

SOIC-8 NB
CASE 751-07
ISSUE AJ

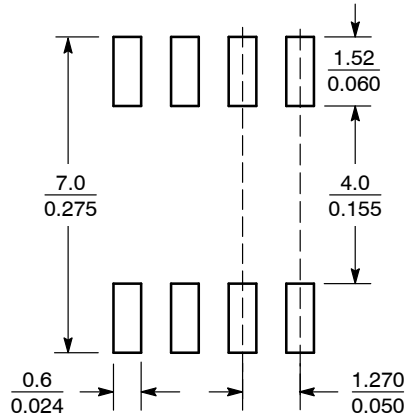


NOTES:

1. DIMENSIONING AND TOLERANCING PER ANSI Y14.5M, 1982.
2. CONTROLLING DIMENSION: MILLIMETER.
3. DIMENSION A AND B DO NOT INCLUDE MOLD PROTRUSION.
4. MAXIMUM MOLD PROTRUSION 0.15 (0.006) PER SIDE.
5. DIMENSION D DOES NOT INCLUDE DAMBAR PROTRUSION. ALLOWABLE DAMBAR PROTRUSION SHALL BE 0.127 (0.005) TOTAL IN EXCESS OF THE D DIMENSION AT MAXIMUM MATERIAL CONDITION.
6. 751-01 THRU 751-06 ARE OBSOLETE. NEW STANDARD IS 751-07.

| DIM | MILLIMETERS | | INCHES | |
|-----|-------------|------|-----------|-------|
| | MIN | MAX | MIN | MAX |
| A | 4.80 | 5.00 | 0.189 | 0.197 |
| B | 3.80 | 4.00 | 0.150 | 0.157 |
| C | 1.35 | 1.75 | 0.053 | 0.069 |
| D | 0.33 | 0.51 | 0.013 | 0.020 |
| G | 1.27 BSC | | 0.050 BSC | |
| H | 0.10 | 0.25 | 0.004 | 0.010 |
| J | 0.19 | 0.25 | 0.007 | 0.010 |
| K | 0.40 | 1.27 | 0.016 | 0.050 |
| M | 0° | 8° | 0° | 8° |
| N | 0.25 | 0.50 | 0.010 | 0.020 |
| S | 5.80 | 6.20 | 0.228 | 0.244 |

SOLDERING FOOTPRINT*



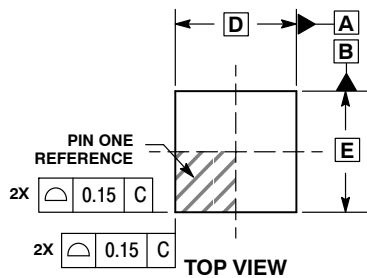
SCALE 6:1 $\left(\frac{\text{mm}}{\text{inches}}\right)$

*For additional information on our Pb-Free strategy and soldering details, please download the ON Semiconductor Soldering and Mounting Techniques Reference Manual, SOLDERRM/D.

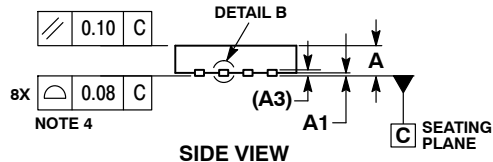
NCP3066, NCV3066

PACKAGE DIMENSIONS

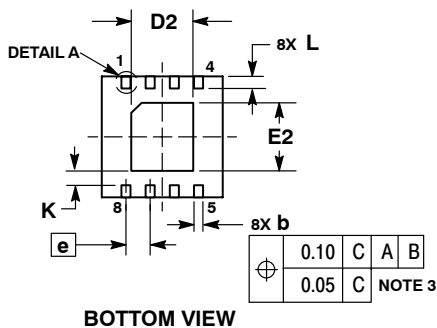
8 PIN DFN, 4x4
CASE 488AF-01
ISSUE C



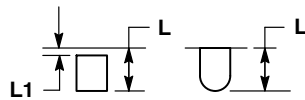
TOP VIEW



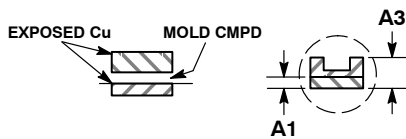
SIDE VIEW



BOTTOM VIEW



DETAIL A
OPTIONAL
CONSTRUCTIONS



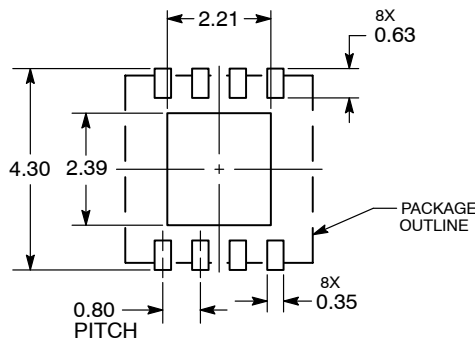
DETAIL B
ALTERNATE
CONSTRUCTIONS

NOTES:

1. DIMENSIONS AND TOLERANCING PER ASME Y14.5M, 1994.
2. CONTROLLING DIMENSION: MILLIMETERS.
3. DIMENSION b APPLIES TO PLATED TERMINAL AND IS MEASURED BETWEEN 0.15 AND 0.30MM FROM TERMINAL TIP.
4. COPLANARITY APPLIES TO THE EXPOSED PAD AS WELL AS THE TERMINALS.
5. DETAILS A AND B SHOW OPTIONAL CONSTRUCTIONS FOR TERMINALS.

| MILLIMETERS | | |
|-------------|----------|------|
| DIM | MIN | MAX |
| A | 0.80 | 1.00 |
| A1 | 0.00 | 0.05 |
| A3 | 0.20 REF | |
| b | 0.25 | 0.35 |
| D | 4.00 BSC | |
| D2 | 1.91 | 2.21 |
| E | 4.00 BSC | |
| E2 | 2.09 | 2.39 |
| e | 0.80 BSC | |
| K | 0.20 | --- |
| L | 0.30 | 0.50 |
| L1 | --- | 0.15 |

SOLDERING FOOTPRINT*



DIMENSIONS: MILLIMETERS

*For additional information on our Pb-Free strategy and soldering details, please download the ON Semiconductor Soldering and Mounting Techniques Reference Manual, SOLDERRM/D.

ON Semiconductor and are trademarks of Semiconductor Components Industries, LLC dba ON Semiconductor or its subsidiaries in the United States and/or other countries. ON Semiconductor owns the rights to a number of patents, trademarks, copyrights, trade secrets, and other intellectual property. A listing of ON Semiconductor's product/patent coverage may be accessed at www.onsemi.com/site/pdf/Patent-Marking.pdf. ON Semiconductor reserves the right to make changes without further notice to any products herein. ON Semiconductor makes no warranty, representation or guarantee regarding the suitability of its products for any particular purpose, nor does ON Semiconductor assume any liability arising out of the application or use of any product or circuit, and specifically disclaims any and all liability, including without limitation special, consequential or incidental damages. Buyer is responsible for its products and applications using ON Semiconductor products, including compliance with all laws, regulations and safety requirements or standards, regardless of any support or applications information provided by ON Semiconductor. "Typical" parameters which may be provided in ON Semiconductor data sheets and/or specifications can and do vary in different applications and actual performance may vary over time. All operating parameters, including "Typicals" must be validated for each customer application by customer's technical experts. ON Semiconductor does not convey any license under its patent rights nor the rights of others. ON Semiconductor products are not designed, intended, or authorized for use as a critical component in life support systems or any FDA Class 3 medical devices or medical devices with a same or similar classification in a foreign jurisdiction or any devices intended for implantation in the human body. Should Buyer purchase or use ON Semiconductor products for any such unintended or unauthorized application, Buyer shall indemnify and hold ON Semiconductor and its officers, employees, subsidiaries, affiliates, and distributors harmless against all claims, costs, damages, and expenses, and reasonable attorney fees arising out of, directly or indirectly, any claim of personal injury or death associated with such unintended or unauthorized use, even if such claim alleges that ON Semiconductor was negligent regarding the design or manufacture of the part. ON Semiconductor is an Equal Opportunity/Affirmative Action Employer. This literature is subject to all applicable copyright laws and is not for resale in any manner.

PUBLICATION ORDERING INFORMATION

LITERATURE FULFILLMENT:

Literature Distribution Center for ON Semiconductor
19521 E. 32nd Pkwy, Aurora, Colorado 80011 USA
Phone: 303-675-2175 or 800-344-3860 Toll Free USA/Canada
Fax: 303-675-2176 or 800-344-3867 Toll Free USA/Canada
Email: orderlit@onsemi.com

N. American Technical Support: 800-282-9855 Toll Free
USA/Canada
Europe, Middle East and Africa Technical Support:
Phone: 421 33 790 2910

ON Semiconductor Website: www.onsemi.com
Order Literature: <http://www.onsemi.com/orderlit>

For additional information, please contact your local Sales Representative

Looking for pricing, stock, or lifecycle information?

Click below to explore more details on WIN SOURCE:

 [View NCV3066DR2G on WIN SOURCE](#)

 [ON Semiconductor](#) Information

Optimize Your Supply Chain with WIN SOURCE Solutions

-  Global Sourcing Solution
-  Obsolete Management
-  Cost Control Management
-  Shortage Management
-  Alternative Solution
-  Excess Inventory Management