

TRIPLE 2-CHANNEL MULTIPLEXER

■ GENERAL DESCRIPTION

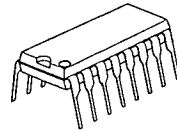
The NJU4053B is a triple 2-channel multiplexer with three independent control inputs and an inhibit input.

The three control input signals select 1 of a pair of channels to be turned on and connect them to the three outputs.

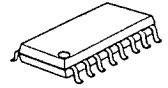
The operating voltage is as wide as 3 to 18V and the quiescent current is as low as 5μA max. (at V<sub>DD</sub>=5V).

It is equivalent to RCA CD4053B and Motorola MC14053B.

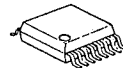
■ PACKAGE OUTLINE



NJU4053BD



NJU4053BM



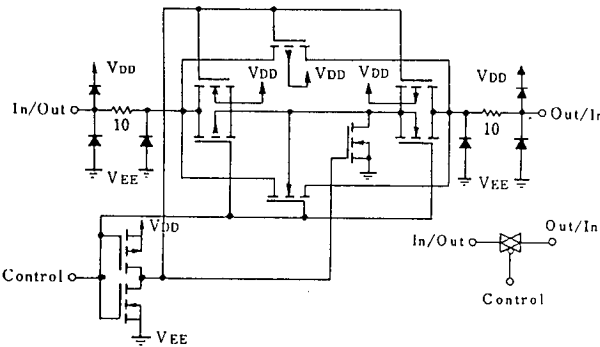
NJU4053BV

■ FEATURES

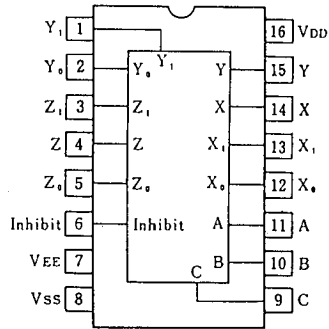
- High ON/OFF Output Voltage Ratio --- 65dB Typ. (R<sub>L</sub>=10kΩ)
- Low Quiescent Current --- 5μA Typ. at V<sub>DD</sub>=5V
- Low Crosstalk between channels --- 80dB Typ.
- Wide Operating Voltage --- 3 ~ 18V
- Linearity in the transfer characteristics.  
ΔR<sub>ON</sub> < 60Ω (V<sub>IN</sub>=V<sub>DD</sub>~V<sub>EE</sub>, V<sub>DD</sub>=15V)
- Package Outline --- DIP/DMP/SSOP 16
- C-MOS Technology

6

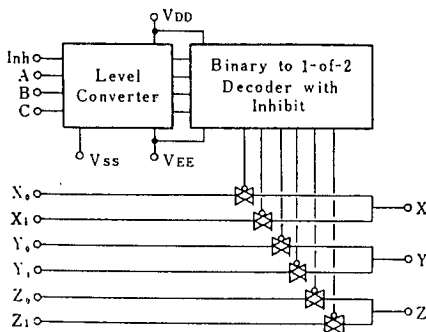
■ EQUIVALENT CIRCUIT



■ PIN CONFIGURATION



■ BLOCK DIAGRAM



■ TRUTH TABLE

INH	C	B	A	On Switch		
0	0	0	0	Z <sub>0</sub>	Y <sub>0</sub>	X <sub>0</sub>
0	0	0	1	Z <sub>0</sub>	Y <sub>0</sub>	X <sub>1</sub>
0	0	1	0	Z <sub>0</sub>	Y <sub>1</sub>	X <sub>0</sub>
0	0	1	1	Z <sub>0</sub>	Y <sub>1</sub>	X <sub>1</sub>
0	1	0	0	Z <sub>1</sub>	Y <sub>0</sub>	X <sub>0</sub>
0	1	0	1	Z <sub>1</sub>	Y <sub>0</sub>	X <sub>1</sub>
0	1	1	0	Z <sub>1</sub>	Y <sub>1</sub>	X <sub>0</sub>
0	1	1	1	Z <sub>1</sub>	Y <sub>1</sub>	X <sub>1</sub>
1	x	x	x	None		

x: Don't Care

**■ ABSOLUTE MAXIMUM RATINGS**

( Ta=25°C )

PARAMETER	SYMBOL	RATINGS	UNIT
Supply Voltage	$V_{DD} - V_{EE}$	- 0.5 ~ + 20	V
Input Voltage(Control Signal)	$V_{IN}$	$V_{SS}-0.5 \sim V_{DD}+0.5$	V
Input Voltage(Analog Signal)	$V_{SIG}$	$V_{EE}-0.5 \sim V_{DD}+0.5$	V
Input Current	$I_{IN}$	± 10	mA
Output Current	$I_{OUT}$	± 10	mA
Power Dissipation	$P_D$	500 (DIP) 200 (DMP) 300 (SSOP)	mW
Operating Temperature Range	$T_{opr}$	- 40 ~ + 85	°C
Storage Temperature Range	$T_{stg}$	- 65 ~ + 150	°C

**■ ELECTRICAL CHARACTERISTICS**

• DC Characteristics

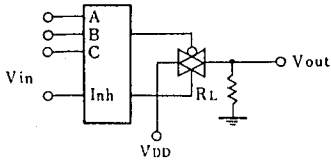
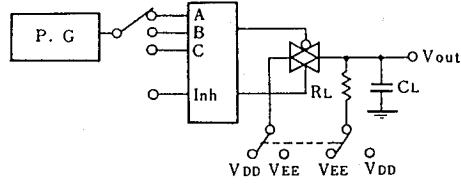
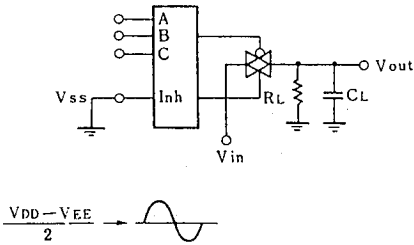
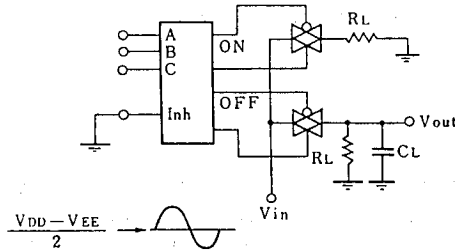
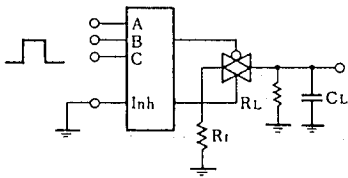
 (  $V_{SS}=0V$  )

PARAMETER	SYMBOL	CONDITIONS	$V_{DD}$ (V)	Ta=-40°C		Ta=25°C		Ta=85°C		UNIT
				MIN	MAX	MIN	TYP	MAX	MIN	
Quiescent Current	$I_{DD}$	No signal Per Package	5 10 15 20	5 10 20 100		5 10 20 100		150 300 600 3000	$\mu A$	
On-State Resistance	$R_{ON}$	$0 \leq V_{is} \leq V_{DD}$ $V_{EE}=V_{SS}=0V$	5 10 15	500 210 140		220 100 60	600 250 160	800 300 200	$\Omega$	
On-State Resistance Deviation	$\Delta R_{ON}$	Between 2 channels $V_{EE}=V_{SS}=0V$	5 10 15			15 10 5			$\Omega$	
Off-Channel Leakage Current		Each channel $V_{EE}=V_{SS}=0V$	18	±1000		±10 ±100		±1000	nA	
Input Capacitance	$C_{IN}$	$V_{IN}=0V$ Control Inhibit Switch				5.0 10	7.5		pF	
Low Level Input Voltage	$V_{IL}$	$R_L=10k\Omega$ $SW=V_{DD}$ $V_{EE}=V_{SS}$	$V_o=1.0V$ 5 $V_o=1.0V$ 10 $V_o=1.5V$ 15	1.5 3.0 4.0		1.5 3.0 4.0		1.5 3.0 4.0	V	
High Level Input Voltage	$V_{IH}$	$V_{EE}=V_{SS}$	$V_o=4.0V$ 5 $V_o=9.0V$ 10 $V_o=13.5V$ 15	3.5 7.0 11.0		3.5 7.0 11.0		3.5 7.0 11.0	V	
Input Current	$\pm I_{IN}$	$V_{IN}=0$ or 18V	18	±0.1		±0.1		± 1	$\mu A$	

## ■ SWITCHING CHARACTERISTICS

 (  $T_a=25^\circ\text{C}$ ,  $C_L=50\text{pF}$  )

PARAMETER		SYMBOL	CONDITIONS	$V_{DD}(\text{V})$	MIN	TYP	MAX	UNIT
Propagation Delay Time	SW Input to Output	$t_{PLH}$	$R_L=10\text{k}\Omega$	5	15	45	ns	
				10	8	30		
				15	5	20		
	CONT Input to Output	$t_{PHL}$		5	15	45		
				10	8	30		
				15	5	20		
	$t_{PZH}$	5	450	1000	ns			
		10	200	500				
		15	150	400				
Output Enable Time	$t_{PHZ}$	$R_L=10\text{k}\Omega$	5	600		1400	ns	
			10	250		700		
			15	200		500		
Output Disable Time	$t_{PLZ}$		5	600	1400	ns		
			10	250	700			
			15	200	500			
Sine-Wave Distortion			$R_L=10\text{k}\Omega$ , $f=1\text{kHz}$ , $V_{IS}=5V_{P-P}$	10	0.05		%	
Feedthrough (all-ch. off)			$R_L=1\text{k}\Omega$ , $20\log_{10}V_{OS}/V_{IS}=-50\text{dB}$	10	4.5		MHz	
Crosstalk	SW A to B		$R_L=1\text{k}\Omega$ , $V_{IS}=1/2(V_{DD}-V_{SS})_{P-P}$	10	3.0		MHz	
	Control-Out		$R_L=1\text{k}\Omega$ , $R_L=10\text{k}\Omega$ , $t_r=t_f=20\text{ns}$ CONTROL/INHIBIT	10	30		mV	

**MEASUREMENT CIRCUITS**
**1. Noise Margin**

**2. Propagation Delay**

**3. Feedthrough**

**4. Crosstalk (Switch A and B)**

**5. Crosstalk (Control and Out)**




## MEMO

**[CAUTION]**





The specifications on this databook are only given for information, without any guarantee as regards either mistakes or omissions. The application circuits in this databook are described only to show representative usages of the product and not intended for the guarantee or permission of any right including the industrial rights.

## Looking for pricing, stock, or lifecycle information?

Click below to explore more details on WIN SOURCE:

-  [View NJU4053BD# on WIN SOURCE](#)
-  [NJRC Corporation/NJRC Information](#)

## Optimize Your Supply Chain with WIN SOURCE Solutions

-  Global Sourcing Solution
-  Obsolete Management
-  Cost Control Management
-  Shortage Management
-  Alternative Solution
-  Excess Inventory Management