

Low Dropout Voltage Regulator

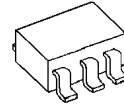
■ GENERAL DESCRIPTION

The NJU7250 series is low dropout voltage and high precision positive voltage regulator with ON/OFF control.

This IC is suitable for the battery items because of low operating current and 150mA output current.

Furthermore, this series is packaged with MTP5.

■ PACKAGE OUTLINE

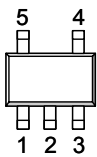


NJU7250F

■ FEATURES

- Low Operating Current 35 μ A
- Output Current 150mA
- High Precision Output $V_o \pm 2\%$
- Low Dropout Voltage 0.2V typ. @ $I_o=100\text{mA}$, $2.8 \leq V_o \leq 3.3\text{V}$
- Standby Function Active High
- Short Current Protection
- C-MOS Technology
- Package Outline SOT-23-5

■ PIN CONFIGURATION

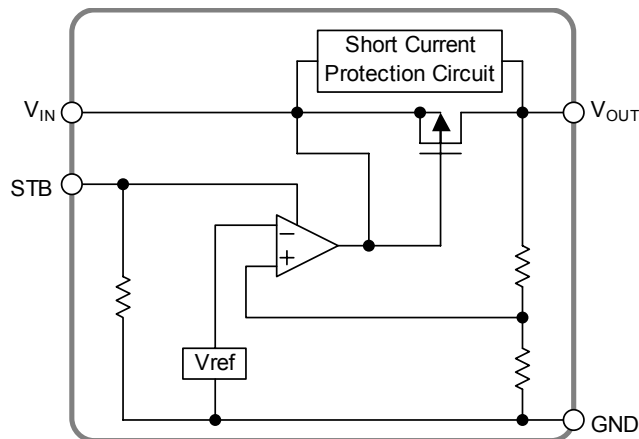


NJU7250F

Pin Function

1. V_{IN}
2. GND
3. STB(Active High)
4. NC
5. V_{OUT}

■ EQUIVALENT CIRCUIT



NJU7250

■ OUTPUT VOLTAGE RANK LIST

Device Name	Output Voltage
NJU7250F25	2.5V
NJU7250F27	2.7V
NJU7250F28	2.8V
NJU7250F29	2.9V
NJU7250F30	3.0V
NJU7250F32	3.2V
NJU7250F33	3.3V

■ ABSOLUTE MAXIMUM RATINGS (Ta=25°C)

PARAMETER	SYMBOL	RATINGS	UNIT
Input Voltage	V _{IN}	+9	V
Control Voltage	V _{CONT}	GND-0.3~ V _{IN} +0.3	V
Output Voltage	V _O	GND-0.3~ V _{IN} +0.3	V
Output Current	I _O	200	mA
Power Dissipation	P _D	250(*1)	mW
		500(*2)	
Operating Temperature	T _{opr}	- 40~+85	°C
Storage Temperature	T _{stg}	- 40~+150	°C

(*1): Device itself.

(*2): Mounted on glass epoxy board based on EIA/JEDEC. (114.3x76.2x1.6mm: 2Layers)

■ ELECTRICAL CHARACTERISTICS (C_{IN}=0.1μF, C_O=2.2μF, Ta=25°C)



Parameter	Symbol	Condition	MIN.	TYP.	MAX.	Unit
Output Voltage	V _O	V _{IN} = V _O +1V, 1mA ≤ I _O ≤ 30mA	-2.0%	-	+2.0%	V
Output Current	I _O	1.5 ≤ V _O ≤ 1.7, V _{IN} = V _O +1V	100	-	-	mA
		1.8 ≤ V _O ≤ 5.0, V _{IN} = V _O +1V	150	-	-	
Dropout Voltage	ΔV _{IO}	2.5 ≤ V _O ≤ 2.7, I _O = 100mA	-	0.24	0.35	
		2.8 ≤ V _O ≤ 3.3, I _O = 100mA	-	0.20	0.30	
Operating Current	I _Q	V _{IN} = V _O +1V, V _{CONT(ON)} = V _{IN}	-	35	70	μA
Standby Current	I _{Q(OFF)}	V _{IN} = V _O +1V, V _{CONT(OFF)} = GND	-	0.1	1.0	μA
Load Regulation	ΔV _O /ΔI _O	V _{IN} = V _O +1V, 1mA ≤ I _O ≤ 80mA	-	12	40	mV
Line Regulation	ΔV _O /(ΔV _{IN} · V _O)	V _{IN} = V _O +0.5V~8V, I _O = 30mA	-	0.05	0.20	%/V
Output Voltage Temperature Coefficient	ΔV _O /ΔT	-40 ≤ Ta ≤ +85°C, I _O = 10mA	-	±100	-	ppm/°C
Input Voltage	V _{IN}		-	-	8	V
Short Current Limit	I _{LIM}	V _O = 0V	-	50	-	mA
Pull-down Resistance	RPD		2.5	5	10	MΩ
H Level Control Voltage	V _{CONT(ON)}		1.5	-	V _{IN}	V
L Level Control Voltage	V _{CONT(OFF)}		0	-	0.25	V
Output Noise Voltage	V _{NO}	f = 10Hz	-	30	-	μV/rms

[CAUTION]

The specifications on this databook are only given for information, without any guarantee as regards either mistakes or omissions. The application circuits in this databook are described only to show representative usages of the product and not intended for the guarantee or permission of any right including the industrial rights.

Looking for pricing, stock, or lifecycle information?

Click below to explore more details on WIN SOURCE:

-  [View NJU7250F33-TE1 on WIN SOURCE](#)
-  [NJR Corporation/NJRC Information](#)

Optimize Your Supply Chain with WIN SOURCE Solutions

-  Global Sourcing Solution
-  Obsolete Management
-  Cost Control Management
-  Shortage Management
-  Alternative Solution
-  Excess Inventory Management