



**THE DATASHEET OF
NTCG164LH104JTDS**



TDK Corporation

Piezo & Protection Device B. Grp.

3-9-1, Shibaura, Minato-ku, Tokyo,

108-0023, Japan

TEL. 03-6852-7300



NTCG

**NTC Chip Thermistor
Temperature Sensing Device**

PRODUCT: NTCG164LH104JTDS

**This product is compliant with the
AEC-Q200 standard.**

PAGE NO.: 1 OF 1

Dimensions and construction

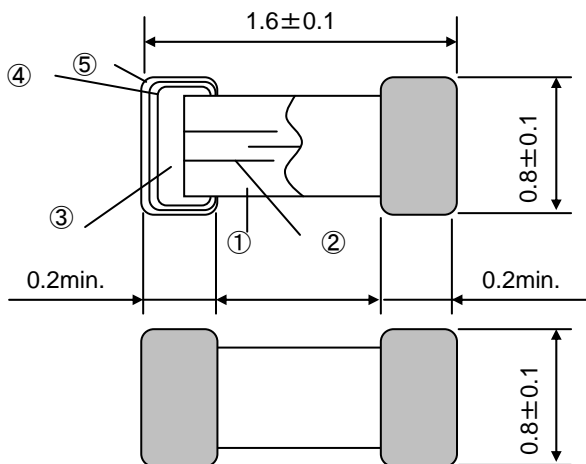


TABLE1. Parts List

	Part Name	Material
①	Element	Manganese, Nickel-oxide base Ceramics materials
②	Inner electrodes	Palladium
③	Terminal	Silver base
④	electrodes	Nickel-plating
⑤		Tin-plating

Operating temperature range

-40 ~ +125°C

TABLE 2. Electric Performance:

Item	Symbol	Specification
Nominal resistance and tolerance	R25	100kΩ ± 5%
B value and tolerance	B25/85	4550K ± 3%
Maximum rated power (condition: chip)	P25	100 mW / 25°C in still air

TABLE 3. Resistance - Temperature Characteristics (condition: chip in silicone oil)

Temp (°C)	Min (kΩ)	Nom (kΩ)	Max (kΩ)	Temp (°C)	Min (kΩ)	Nom (kΩ)	Max (kΩ)	Temp (°C)	Min (kΩ)	Nom (kΩ)	Max (kΩ)
-40.0	4297	5089	6013	20.0	121.4	128.7	136.2	80.0	8.250	9.325	10.51
-35.0	3030	3549	4148	25.0	95.00	100.0	105.0	85.0	6.825	7.757	8.794
-30.0	2159	2503	2895	30.0	73.77	78.23	82.75	90.0	5.672	6.482	7.388
-25.0	1555	1785	2043	35.0	57.68	61.60	65.63	95.0	4.735	5.440	6.233
-20.0	1131	1286	1457	40.0	45.39	48.82	52.38	100.0	3.970	4.584	5.280
-15.0	830.9	935.3	1050	45.0	35.95	38.93	42.05	105.0	3.343	3.879	4.490
-10.0	615.9	686.9	764.1	50.0	28.65	31.23	33.96	110.0	2.826	3.295	3.833
-5.0	460.5	509.0	561.2	55.0	22.97	25.20	27.57	115.0	2.398	2.810	3.284
0.0	347.3	380.5	415.9	60.0	18.52	20.44	22.51	120.0	2.043	2.405	2.824
5.0	264.0	286.8	310.8	65.0	15.01	16.67	18.47	125.0	1.747	2.066	2.437
10.0	202.2	217.9	234.2	70.0	12.23	13.67	15.24				
15.0	156.1	166.9	177.9	75.0	10.02	11.26	12.63				

Looking for pricing, stock, or lifecycle information?

Click below to explore more details on WIN SOURCE:

- ⊖ [View NTCG164LH104JTDS on WIN SOURCE](#)
- ⊖ [TDK Corporation Information](#)

Optimize Your Supply Chain with WIN SOURCE Solutions

- ✓ Global Sourcing Solution
- ✓ Obsolete Management
- ✓ Cost Control Management
- ✓ Shortage Management
- ✓ Alternative Solution
- ✓ Excess Inventory Management