



**THE DATASHEET OF  
NTCG164LH473JTDS**



TDK Corporation

Piezo & Protection Device B. Grp.

3-9-1, Shibaura, Minato-ku, Tokyo,

108-0023, Japan

TEL. 03-6852-7300



NTCG

**NTC Chip Thermistor  
Temperature Sensing Device**

**PRODUCT: NTCG164LH473JTDS**

**This product is compliant with the  
AEC-Q200 standard.**

PAGE NO.: 1 OF 1

**Dimensions and construction**

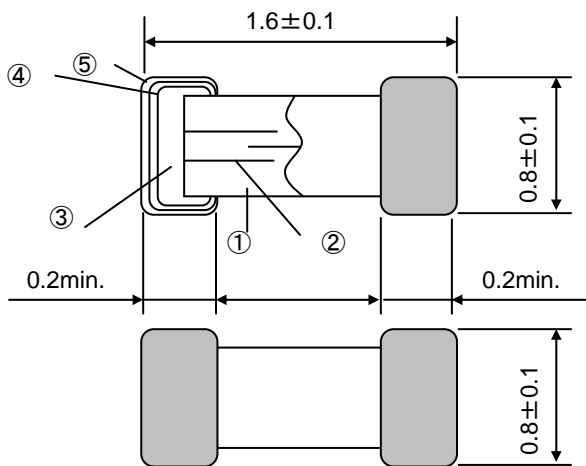


TABLE1. Parts List

	Part Name	Material
①	Element	Manganese, Nickel-oxide base Ceramics materials
②	Inner electrodes	Palladium
③	Terminal	Silver base
④	electrodes	Nickel-plating
⑤		Tin-plating

**Operating temperature range**

-40 ~ +125°C

TABLE 2. Electric Performance:



Item	Symbol	Specification
Nominal resistance and tolerance	R25	47kΩ ± 5%
B value and tolerance	B25/85	4550K ± 3%
Maximum rated power (condition: chip)	P25	100 mW / 25°C in still air

TABLE 3. Resistance - Temperature Characteristics (condition: chip in silicone oil)

(°C)	(kΩ)	(kΩ)	(kΩ)	(°C)	(kΩ)	(kΩ)	(kΩ)	(°C)	(kΩ)	(kΩ)	(kΩ)
-40.0	2020	2392	2826	20.0	57.04	60.50	64.00	80.0	3.878	4.383	4.942
-35.0	1424	1668	1950	25.0	44.65	47.00	49.35	85.0	3.208	3.646	4.133
-30.0	1015	1177	1361	30.0	34.67	36.77	38.89	90.0	2.666	3.046	3.472
-25.0	730.9	838.9	960.4	35.0	27.11	28.95	30.85	95.0	2.226	2.557	2.929
-20.0	531.7	604.3	685.0	40.0	21.33	22.95	24.62	100.0	1.866	2.155	2.481
-15.0	390.5	439.6	493.6	45.0	16.90	18.30	19.76	105.0	1.571	1.823	2.110
-10.0	289.5	322.8	359.1	50.0	13.47	14.68	15.96	110.0	1.328	1.549	1.802
-5.0	216.4	239.2	263.8	55.0	10.79	11.84	12.96	115.0	1.127	1.321	1.544
0.0	163.2	178.8	195.5	60.0	8.703	9.607	10.58	120.0	0.960	1.130	1.327
5.0	124.1	134.8	146.1	65.0	7.055	7.836	8.682	125.0	0.821	0.971	1.145
10.0	95.05	102.4	110.1	70.0	5.750	6.425	7.161				
15.0	73.37	78.42	83.62	75.0	4.710	5.294	5.935				

## Looking for pricing, stock, or lifecycle information?

Click below to explore more details on WIN SOURCE:

-  [View NTCG164LH473JTDS on WIN SOURCE](#)
-  [TDK Corporation Information](#)

## Optimize Your Supply Chain with WIN SOURCE Solutions

-  Global Sourcing Solution
-  Obsolete Management
-  Cost Control Management
-  Shortage Management
-  Alternative Solution
-  Excess Inventory Management