



**THE DATASHEET OF
OMI-SS-112LM,300**



3

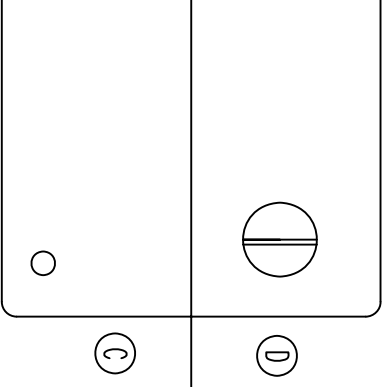
2

1

ION
- - - -
RVED.

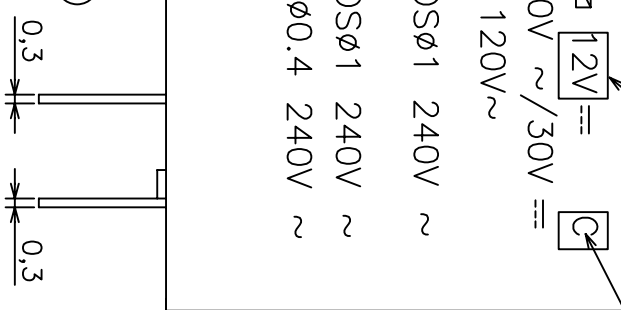
Loc HB
DST -

REVISIONS					
P	LTR	DESCRIPTION	DATE	DWN	APVD
D		CHANGE LOG, VENT HOLE, ADD LINE IDENTIFIER, CQC, PLATING THICKNESS ECO-12-005725	21-AUG-12	D.L	BH.Y



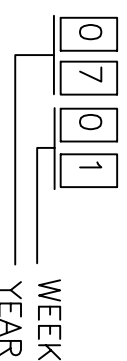
PART A PART B

C:MADE IN CHINA



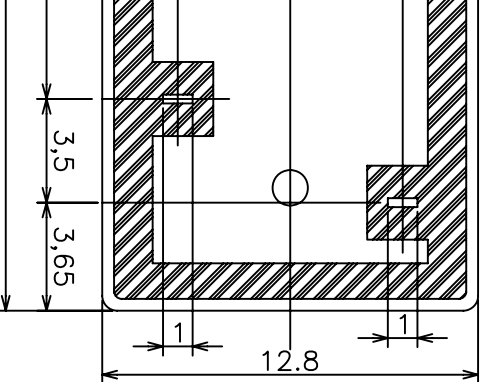
3.GENERAL TOLERANCE AS FOLLOWING:

TOLERANCE		
0~0.99mm	±0.1	
1mm~2.99mm	±0.2	
3mm MIN.	±0.3	



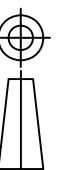
NOTES:
1.-SS-:PLASTIC SEALED TYPE
2.LOT NO. SYSTEM AS FOLLOWING:

(D)(C) 4.TERMINAL DIMENSION IS NOT INCLUDING SOLDER TIP.
FOR THE TIN-PLATING OF THE PINS:
+0.1mm FOR WIDTH, THICKNESS AND DIAMETER.
+0.5mm FOR LENGTH.



THIS DRAWING IS A CONTROLLED DOCUMENT.

DIMENSIONS:
mm



TOLERANCES UNLESS OTHERWISE SPECIFIED:	FINISH
0 PLC	±
1 PLC	±
2 PLC	±
3 PLC	±
4 PLC ANGLES	±

MATERIAL

DWN H SASAKI

CHK Y. OIKAWA

APVD A. NAGAI

PRODUCT SPEC

APPLICATION SPEC

WEIGHT



TE Connectivity

NAME

OMI CUSTOMER DRAWING

SIZE

A3

CAGE CODE

00779

DRAWING NO

G=1721089

SCALE

4:1

SHEET

1 of 2

REV

D

CUSTOMER DRAWING

ION
 ERVED.

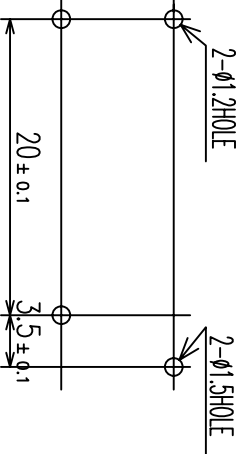
Loc HB DIST -

REVISIONS					
P	LTR	DESCRIPTION	DATE	DWN	APVD

-148LM	48V	OMI-SS-148LM	①
-124LM	24V	OMI-SS-124LM	①
-124DM	24V	OMI-SS-124DM	①
-112LM	12V	OMI-SS-112LM	①
-112DM	12V	OMI-SS-112DM	①
-106LM	6V	OMI-SS-106LM	①
-105LM	5V	OMI-SS-105LM	①
-105DM	5V	OMI-SS-105DM	①
-103LM	3V	OMI-SS-103LM	①
LECTION	PART B	PART A	①

RELAY TYPE

DRILLING DIAGRAM(2/1)
 (BOTTOM VIEW)



3

2

1

UL94 V-0	EPOXY RESIN	RESIN	15	
CLASS E	PBT	CASE	14	
UL94 V-0	ULW	MAGNETIC WIRE	13	
UL94 V-0	PET	BASE	12	
UL94 V-0	PBT	BOBBIN	11	
UL94 V-0	CP WIRE	COIL TERMINAL	10	
UL94 V-0	PPS	CARD	9	
	Ag ALLOY	MOVABLE CONTACT	8	
	Ag ALLOY	STATIONARY CONTACT	7	
	Cu ALLOY	HINGE SPRING	6	
	Cu ALLOY	STATIONARY TERMINAL	5	
	SOLDER DIP	MOVABLE SPRING	4	
	Cu ALLOY	CORE	3	
	STEEL	ARMATURE	2	
	STEEL	YOKE	1	
INCOMBUSTIBILITY	TREATMENT	MATERIAL	DESCRIPTION	ITEM

THIS DRAWING IS A CONTROLLED DOCUMENT.

DWN H SASAKI
 CHK Y. OIKAWA

NAME
STE TE Connectivity

DIMENSIONS:
 mm

TOLERANCES UNLESS
 OTHERWISE SPECIFIED:

0 PLC ±
 1 PLC ±
 2 PLC ±
 3 PLC ±
 4 PLC ±
 ANGLES ±



MATERIAL

FINISH

APVD A. NAGAI
 PRODUCT SPEC
 APPLICATION SPEC
 WEIGHT

SIZE A3
 CAGE CODE 00779
 DRAWING NO. G=1721089
 SCALE 4:1
 SHEET 2 OF 2
 REV D
 CUSTOMER DRAWING

A

B

C

D

Looking for pricing, stock, or lifecycle information?

Click below to explore more details on WIN SOURCE:

[View OMI-SS-112LM,300 on WIN SOURCE](#)

[TE Connectivity Information](#)

Optimize Your Supply Chain with WIN SOURCE Solutions

- ✓ Global Sourcing Solution
- ✓ Obsolete Management
- ✓ Cost Control Management
- ✓ Shortage Management
- ✓ Alternative Solution
- ✓ Excess Inventory Management