



THE DATASHEET OF 32LET





Introduction

British BS 88 Contents

Fuse Volts	Amp Range
240	6-900
690	6-710

Accessories

- Indicator System (see end of this section)
- Fuse Blocks (see BH Series fuse blocks in this catalog)

British BS 88 Fuse Ranges

Amps	Volts	AC	DC
6-900	240	X	—
6-900	150	—	X
6-700	690	X	—
6-700	500	—	X

General Information

Designed and tested to:

- BS 88: Part 4
- IEC 269: Part 4
- UL Recognized

We offer the industry's widest range of British style semiconductor fuses and accessories.

Edison British style products use innovative arc quenching techniques and high grade materials to provide:

- Minimal energy let-through (I^2t)
- Excellent DC performance
- Good surge withstand profile

British style fuses are typically found in equipment manufactured in the United Kingdom or British Commonwealth countries. However, North American manufacturers have begun to specify British style fuses — particularly in UPS applications at 240V or less — to take advantage of their size, performance and cost benefits.

Voltage Rating

All Edison British style fuses are tested to IEC 269: Part 4. This standard requires a test voltage which is 5% higher than the rated voltage. In North America, fuses are required to clear only their rated voltage.

Accessories

Trip-indicator fuses are available for use in parallel with the main fuse. Indicator fuses can be attached to the associated fuse, or mounted separately in panel-mounted fuseclips. In addition, a push-on adapter and microswitch attachment are available, to provide remote indication. The BH Series fuse blocks are also available for most applications.

660 Volt (AC) Range

Type	Outline	Part Number	I ² t			Watts Loss	DC Volts	Carton Qty.	Carton Weight (kg)
			Pre-arc	Clearing At 415V	Clearing At 690V				
ET		25ET	25	150	250	7	450	10	0.420
		32ET	32	190	350	11		10	0.420
FE		35FE	33	130	200	9	450	10	0.420
		40FE	52	180	300	9		10	0.420
		45FE	76	270	450	11		10	0.420
		50FE	103	380	600	11		10	0.420
		63FE	135	480	750	12		10	0.420
		71FE	210	600	950	17		10	0.420
		80FE	250	900	1500	20		10	0.420
		90FE	360	1300	2100	20		10	0.420
		100FE	470	1800	2800	23		10	0.420
		FEE		100FEE	400	1600		2400	24
120FEE	540			1900	3100	32	5	0.450	
140FEE	850			2500	3800	36	5	0.450	
160FEE	1000			3700	5700	46	5	0.450	
180FEE	1400			5300	8400	46	5	0.450	
200FEE	1900			7100	11400	52	5	0.450	
FM				180FM	1400	7500	13500	40	450
		200FM	2600	10500	18500	40	1	0.240	
		225FM	3700	14500	26500	44	1	0.240	
		250FM	5200	20500	37500	48			
		280FM	7000	30500	55000	48	1	0.240	
		315FM	10000	40000	77000	55	1	0.240	
		350FM	15000	60000	105000	55	1	0.240	
		FMM		400FMM	10000	40000	72500	85	
450FMM	15000			60000	105000	90	1	0.450	
500FMM	20000			82000	15000	100	1	0.450	
550FMM	30000			120000	215000	100	1	0.450	
630FMM	45000			180000	310000	100	1	0.450	
700FMM	60000			245000	420000	120	1	0.450	

- Interrupting rating 200kA RMS Symmetrical.
- Watts loss provided at rated current.
- These fuses meet the requirements of BS 88 Part 4 and IEC 269-4.
- Consult Edison Customer Satisfaction for UL Recognition information.

UL/CSA Fuses
Current Limiting

UL/CSA Fuses
General Purpose

Special
Purpose Fuses

Canadian
Fuses & Holders

Medium
Voltage Fuses

Fuse Blocks,
Holders & Misc.

Application
Section

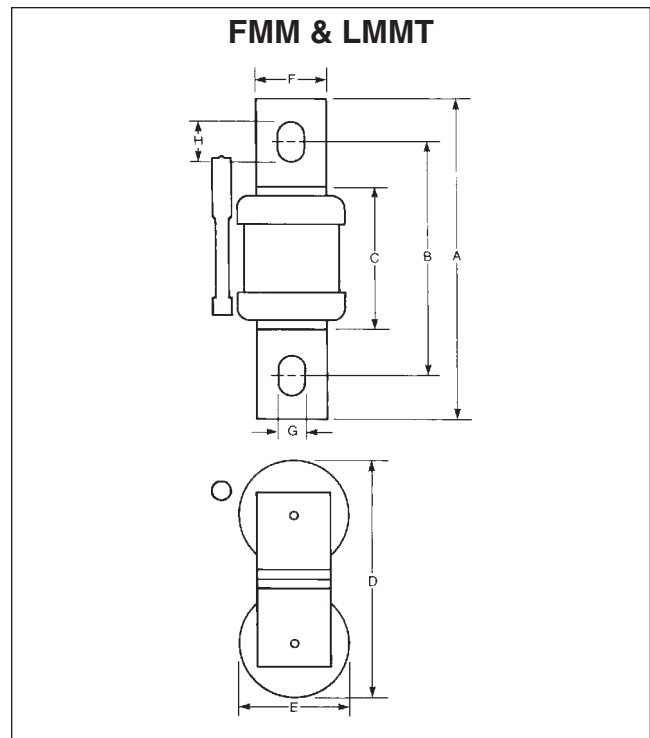
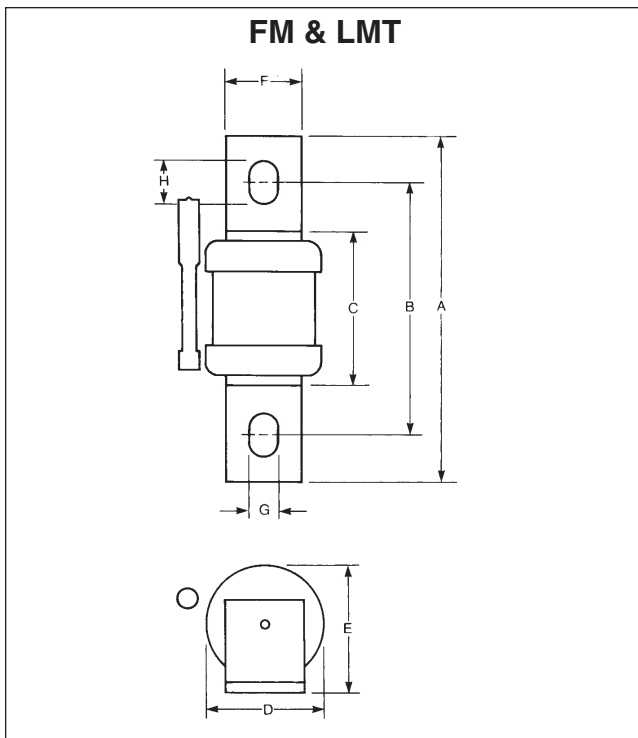
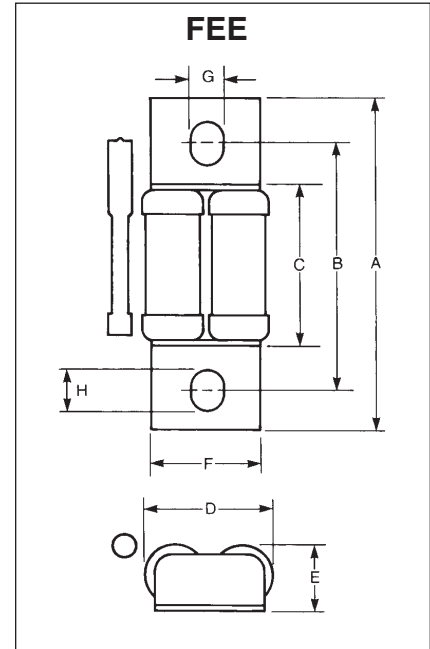
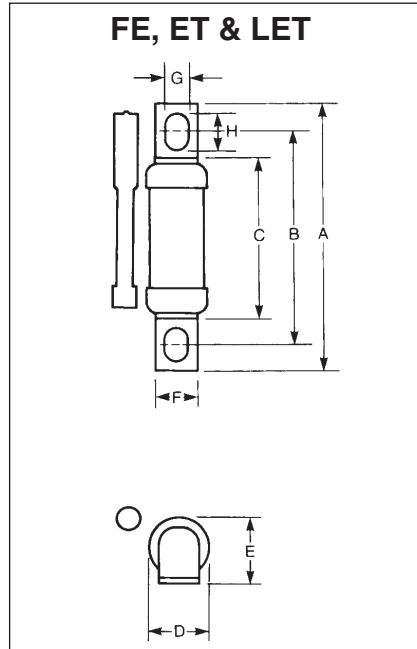
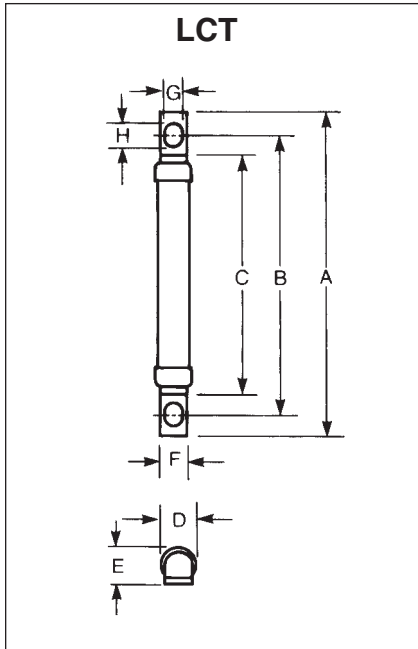
240 Volt (AC) Range

Type	Outline	Part Number	I ² t			Watts Loss	DC Volts	Carton Qty.	Carton Weight (kg)
			Pre-arc	Clearing At 120V	Clearing At 240V				
LCT		6LCT	2	6	9	1.0	200	20	0.110
		10LCT	3.8	12	22	2.5		20	0.110
		12LCT	7	22	32	2.5		20	0.110
		16LCT	20	50	100	2.5		20	0.110
		20LCT	25	80	160	4.0		20	0.110
LET		25LET	18	120	250	4.0	140	10	0.310
		32LET	32	200	450	5.0		10	0.310
		35LET	50	320	600	5.0		10	0.310
		50LET	100	500	1400	7.0		10	0.310
		63LET	180	1100	2200	9.0		10	0.310
		80LET	300	1900	3800	10.0		10	0.310
		100LET	600	3800	7500	10.0		10	0.310
		125LET	600	3800	7500	10.0		10	0.310
		160LET	1100	7000	18000	20.0		10	0.310
		180LET	1600	12000	29000	21.0		10	0.310
LMT		160LMT	1100	7000	16000	17.0	160	1	0.180
		200LMT	1500	10000	20000	28.0		1	0.180
		250LMT	3200	20000	40000	28.0		1	0.180
		315LMT	6000	35000	75000	35.0		1	0.180
		355LMT	8000	50000	100000	35.0		1	0.180
		400LMT	14000	70000	160000	40.0		1	0.180
		450LMT	18000	100000	220000	42.0		1	0.180
LMMT		400LMMT	6000	35000	80000	60.0	160	1	0.370
		400LMMT	14000	80000	170000	64.0		1	0.370
		400LMMT	24000	150000	300000	75.0		1	0.370
		400LMMT	32000	200000	460000	77.0		1	0.370
		400LMMT	52000	300000	600000	82.0		1	0.370
		400LMMT	75000	400000	800000	97.0		1	0.370

- Interrupting rating 200kA RMS Symmetrical.
- Watts loss provided at rated current.
- All fuses above have been tested to 318Vac.
- These fuses meet the requirements of BS 88 Part 4 and IEC 269-4.
- UL Recognition on LET and LMT. Others pending – Consult Edison Customer Satisfaction.

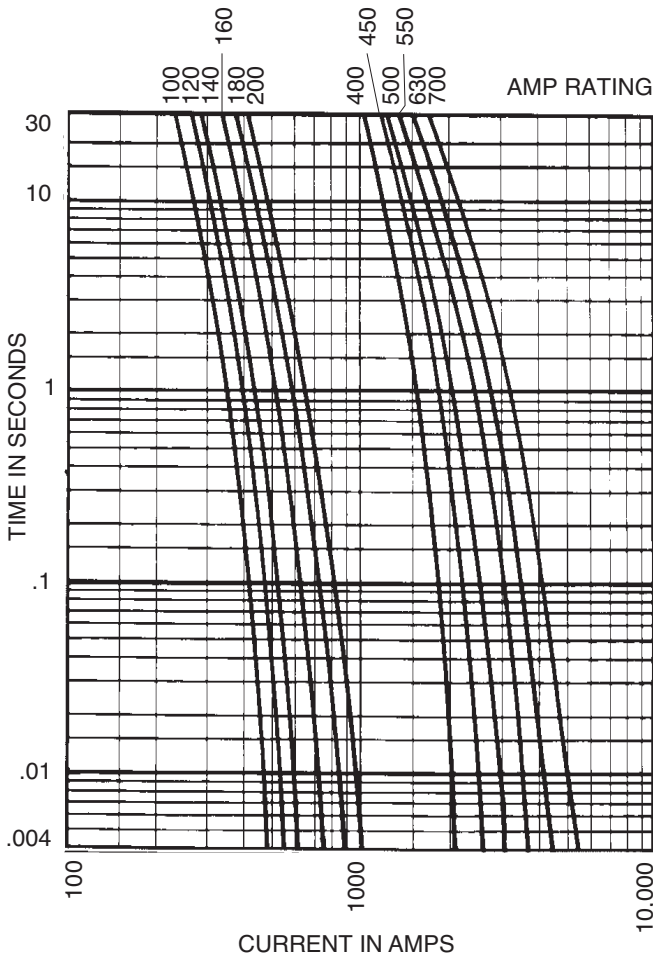
Dimensions - mm

Type	A	B	C	D	E	F	G	H
LCT	47	38	28	8.4	8.7	6.4	4	5.5
FE & ET	77	63.5	48	17.7	19.1	12.7	7.1	9.7
LET	56	41.8	26.2	17.7	19.1	12.7	7.1	9.7
FEE	94	70	46	37	19	31.8	8.7	11.9
FM	113	80-85	50	38	41.5	25.4	10.3	14
LMT	84	59	31	38.1	41	25.4	10.3	13.5
FMM	113	80-85	50	83	38	25.4	10.3	14
LMMT	84	59	31	83	38	25.4	10.3	13.5



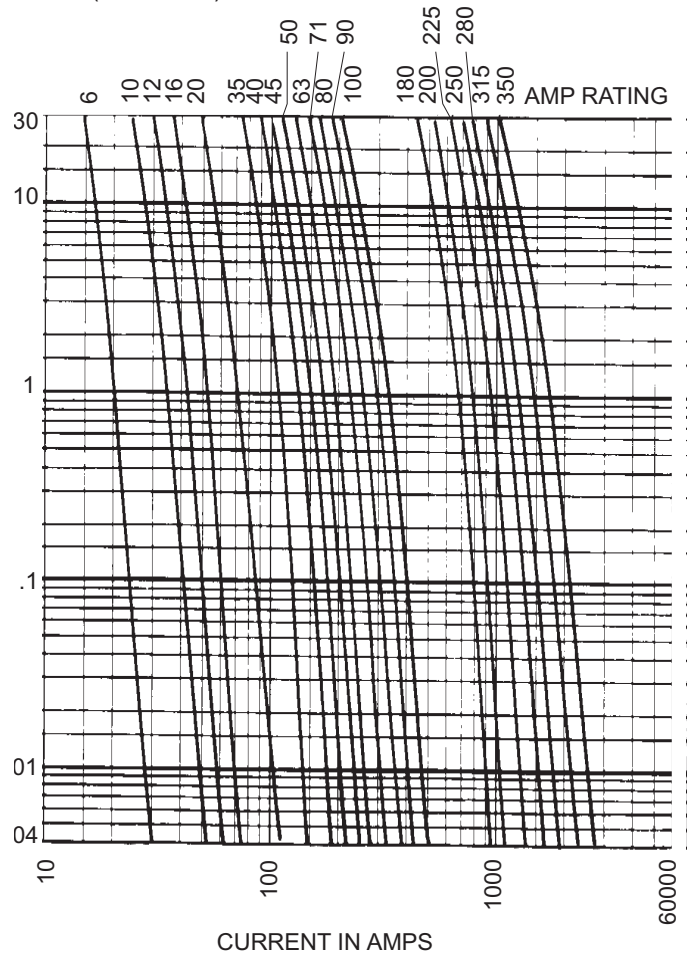
690V Time-Current Curves

FEE (100-200A)
FMM (400-700A)

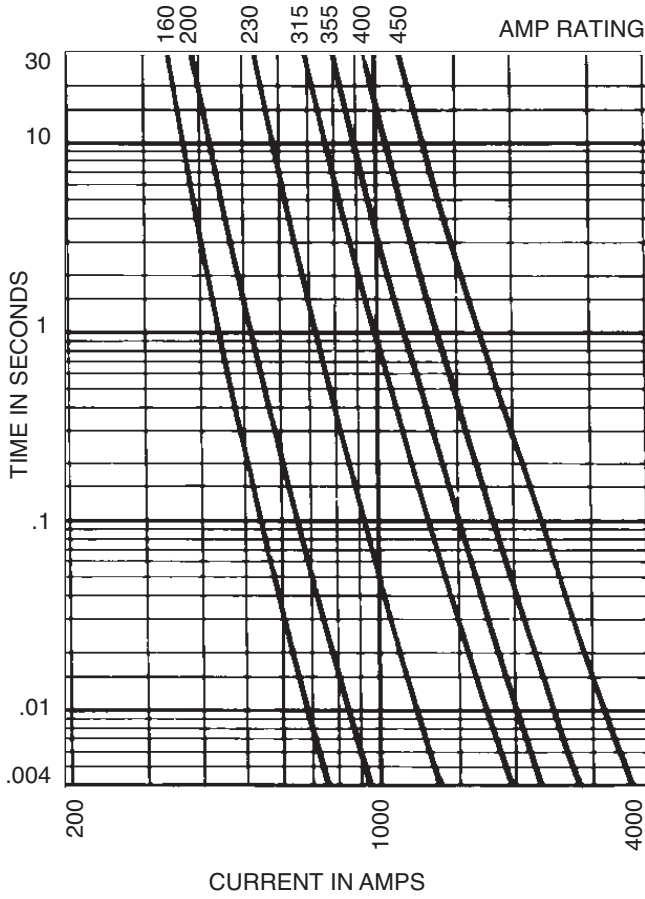


690V Time-Current Curves

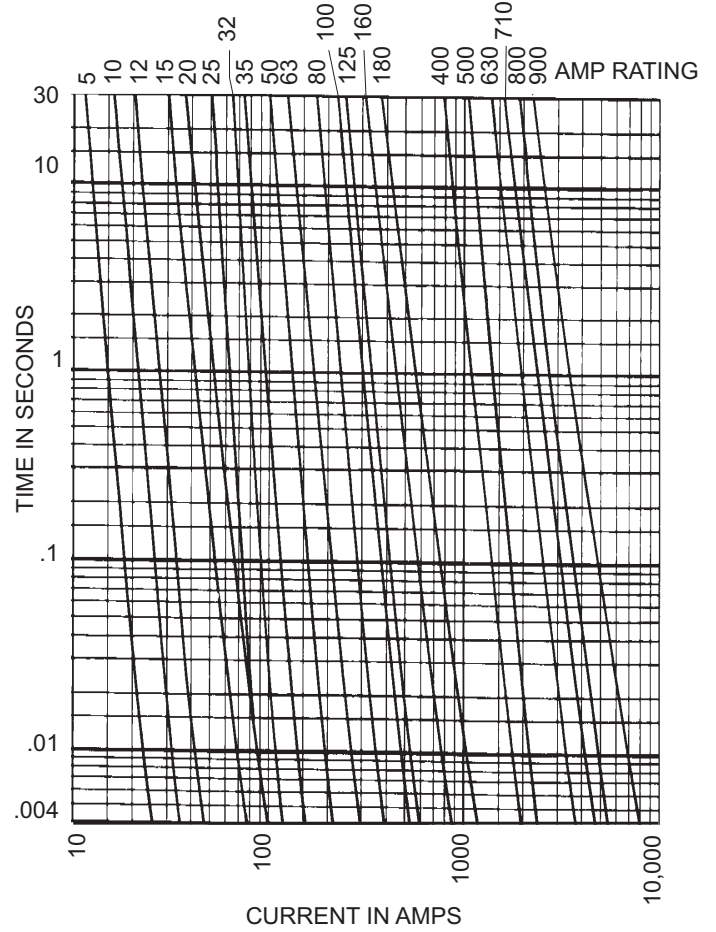
FC (6-20A)
FE (35-100A)
FM (180-350A)



240V Time-Current Curves
LMT (160-450A)



240V Time-Current Curves
LCT (6-20A)
LET (25-180A)
LMMT (400-900A)



UL/CSA Fuses
Current Limiting

UL/CSA Fuses
General Purpose

Special
Purpose Fuses

Canadian
Fuses & Holders

Medium
Voltage Fuses

Fuse Blocks,
Holders & Misc.

Application
Section

Indicator System

Trip-Indicators

Trip-indicators are available for use in parallel with the main fuse. They can either be attached to the associated fuse or mounted separately in panel mounted fuse clips, reference CL1. A push-on adapter and microswitch attachment is available for use with the trip indicator to give the facility of remote indication, reference MAI.

Fuse ratings of 20A and below cannot usually accommodate a trip-indicator.

When a trip-indicator is to be attached to the main fuse an accessory pack comprising a pair of mounting clips and an appropriate trip indicator would be required. The clips are snapped onto the fuse end caps and the indicator is pressed into clips as shown.

Electrical Specifications

Type	TI500	TI700
Maximum RMS Voltage	500	700
Maximum Peak Voltage	700	1000
Maximum DC Voltage	130	350
Cold Resistance (ohms)	0.3	0.45
Maximum permissible steady-state current	1.5A	1.5A
Interrupting Capacity (RMS Symm.)	100,000	100,000
Pre-Arcing I ² t	23	23

Fuse Indicator Kits

Kit. Ref.	Details	RMS Volts	For use with Fuse Ref.
EC-250	Fuse Mount	250	LET
MC250	Indicator Kits	250	LMT & LMMT
EC-600	(Includes one	660	FE, FEE & ET
MC600	indicator	660	FM & FMM
MC700	and two clips)	700	MT & MMT

CL1 Panel Mount Clips

CL1 Panel mount fuse clips are available for mounting a trip-indicator when mounting directly on the fuse is impractical. Order part number CL1.

Microswitch Adapter – MAI

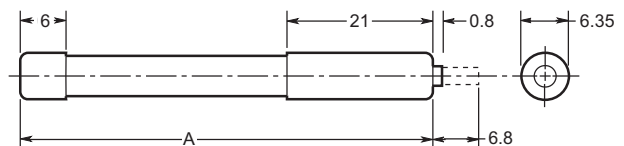
We offer a microswitch, complete with adapter for securing the indicator. The microswitch is provided with double pole, single throw contacts, having both a normally open and a normally closed position. A special material has been employed in the construction of the adapter to provide reliable operation in the range of temperatures associated with standard operating conditions and during fuse operation.

Microswitch and Adapter Type MAI

Current Rating: AC 50/60Hz resistive load @ 250V RMS AC 50/60Hz resistive load @ 127V RMS	4A 6A
DC, resistive load @ 110Vdc DC, resistive load @ 30Vdc	0.7A DC 2A DC
Maximum Working Voltage: Contact-to-contact (RMS) Contact-to-contact (RMS)	1000V 1500V
Maximum DC Volts:	110V DC

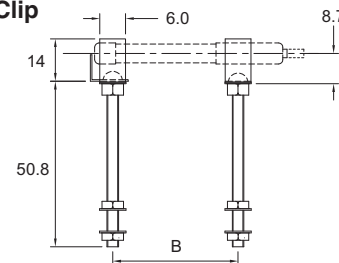


Trip-Indicator Dimensions - mm



Ref.	Dim. "A" (mm)	RMS Volts
TI250	37.6	250
TI500	47.5	500
TI600	55.7	600
TI700	61.8	700
TI1100	98.4	1100
TI1500	120.6	1500
TI2000	147.5	2000
TI2500	198.3	2500

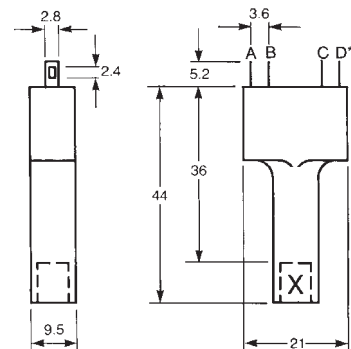
CL1 Panel Mount Clip
Dimensions - mm



Terminal Arrangement





Dimensions in mm



**A=D=N/O contacts
B=C=N/C contacts

Looking for pricing, stock, or lifecycle information?

Click below to explore more details on WIN SOURCE:

-  [View 32LET on WIN SOURCE](#)
-  [Eaton Bussmann Information](#)

Optimize Your Supply Chain with WIN SOURCE Solutions

-  Global Sourcing Solution
-  Obsolete Management
-  Cost Control Management
-  Shortage Management
-  Alternative Solution
-  Excess Inventory Management