

# OV9728 720p HD product brief



## Low-Power and Cost-Efficient 720p HD CameraChip™ Sensor for Portable Devices and Smart TVs



available in  
a lead-free  
package

The OV9728 is a low-power, cost-efficient CameraChip sensor designed for secondary camera applications in notebooks, tablets, smartphones and smart TVs. The high-performance OV9728 delivers exceptional 720p high-definition (HD) video, which exceeds the criteria of premium video specifications for Microsoft® Lync™ and Skype®.

The OV9728 utilizes a 1.75-micron OmniBSI™+ pixel architecture to deliver best-in-class low-light sensitivity, a 60 percent improvement in full-well capacity (FWC), a 4 dB improvement in dynamic range, and a significantly enhanced signal-to-noise ratio (SNR). A 1/6.5-inch sensor, the OV9728 can record 720p HD video at 30 frames per second (fps) or high-quality cropped VGA video at 60 fps.

The OV9728 provides full-frame, sub-sampled, windowed or scaled 8- and 10-bit images. All required image processing functions, including exposure control and defective pixel cancelling, are programmable through the serial camera control bus (SCCB) interface. It features a one-lane high-speed MIPI interface and fits into a compact 6 x 6 x 3 mm module.

Find out more at [www.ovt.com](http://www.ovt.com).



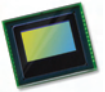
## Applications

- Ultrabooks/Notebooks
- Smartphones
- Gaming
- Tablets
- Televisions
- Toys
- PC Multimedia

## Product Features

- MIPI and D-PHY specification (contains one clock lane and one data lane) with a maximum of 600 Mbps data transfer rate
- supports free-running clock and gated clock
- supports global analog gain
- high sensitivity and low dark current for low-light conditions
- low operating voltage and low power consumption for embedded portable applications
- supports down sample mode and VarioPixel\*
- auto black level calibration
- defect correction capability

# OV9728



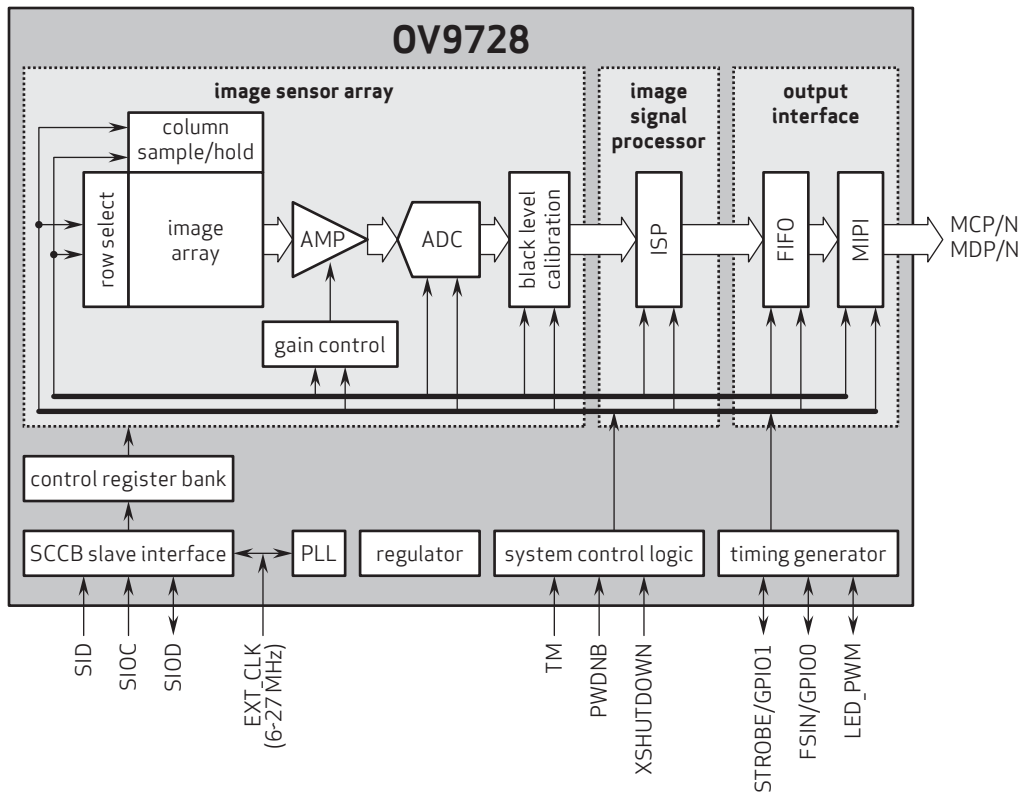
## Ordering Information

- OV9728-A30A (color, lead-free) 30-pin CSP

## Product Specifications

- active array size: 1296 x 808
- power supply:
  - core: 1.5V
  - analog: 2.8V (typical)
  - I/O: 1.8V (typical)
- power requirements:
  - I<sub>DD-A</sub>: 18 mA
  - I<sub>DD-IO</sub>: 28 mA
  - XSHUTDOWN: 5 μA
- temperature range:
  - operating: -30°C to +70°C junction temperature
  - stable image: 0°C to +50°C junction temperature
- output formats: 10-bit RAW RGB data
- lens size: 1/6.5"
- lens chief ray angle: 31.6° non-linear
- input clock frequency: 6 - 27 MHz
- max S/N ratio: 38 dB
- dynamic range: 74 dB @ 8x gain
- maximum image transfer rate: 30 fps
- sensitivity: 1000 mV/Lux-sec
- scan mode: progressive
- maximum exposure interval: 824 x t<sub>row</sub>
- pixel size: 1.75 μm x 1.75 μm
- image area: 2296 μm x 1428 μm
- package dimensions: 3810 μm x 3260 μm

## Functional Block Diagram



4275 Burton Drive  
Santa Clara, CA 95054  
USA

Tel: + 1 408 567 3000  
Fax: + 1 408 567 3001  
www.ovt.com



OmniVision reserves the right to make changes to their products or to discontinue any product or service without further notice. OmniVision, the OmniVision logo and VarioPixel are registered trademarks of OmniVision Technologies, Inc. CameraChip and OmniBSI are trademarks of OmniVision Technologies, Inc. All other trademarks are the property of their respective owners.



**OmniVision**

## Looking for pricing, stock, or lifecycle information?

Click below to explore more details on WIN SOURCE:

-  [View OV09728-A30A on WIN SOURCE](#)
-  [OmniVision Technologies Inc Information](#)

## Optimize Your Supply Chain with WIN SOURCE Solutions

-  Global Sourcing Solution
-  Obsolete Management
-  Cost Control Management
-  Shortage Management
-  Alternative Solution
-  Excess Inventory Management