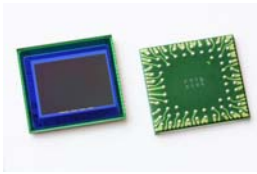




**THE DATASHEET OF  
OV09810-A70A**





# OV9810 9 Megapixel 1080p HD Video Image Sensor

Product Brief



## Capture Stunning 9 Megapixel Still Images and 1080p HD Video All on a Single Chip

The OV9810 color image sensor eliminates the trade-offs between high performance still photography and high quality HD video by combining 9 megapixel photography with 1080p HD video on a single chip. With a packaged footprint of only 8.195 mm x 7.535 mm, the OV9810 is the ideal solution for digital still camera (DSC), digital video camcorder (DVC) and digicam applications.

Featuring OmniVision's high-sensitivity 1.75  $\mu\text{m}$  OmniPixel3-HS™ architecture, the OV9810 delivers best-in-class low-light sensitivity at 960 mV/(lux-sec), giving it a significant edge over competing sensors. The OmniPixel3-HS architecture is OmniVision's most advanced generation of front side illumination pixel architectures to date, providing enhanced image capture under very low lighting conditions.

In addition to its small footprint and extraordinary performance, the OV9810 is capable of providing various

output formats over a digital video parallel (DVP) or serial MIPI port, controlled by the SCCB interface. The MIPI and DVP interfaces can also be used for a second camera. All required image processing functions, including exposure control, white balance, and defective pixel canceling, are programmable through the SCCB interface. The OV9810 eliminates image contamination issues such as fixed pattern noise, smearing and blooming to produce a clean, stable and vivid color image.

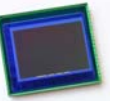
The OV9810 is capable of operating at 8.9 frames per second (fps) in full 9 megapixel resolution and offers full HD quality (1080p) video at 30 fps. No other 9 megapixel image sensor on the market combines the performance-rich features of digital still and 1080p video better than the OV9810.

Find out more at [www.ovt.com](http://www.ovt.com).

## Applications

- Digital Still Cameras (DSC)
- Digital Video Camcorders (DVC)
- Digicam

# OV9810



## Ordering Information

- **OV9810-A70A**  
(color, lead-free 70-pin CSP3)

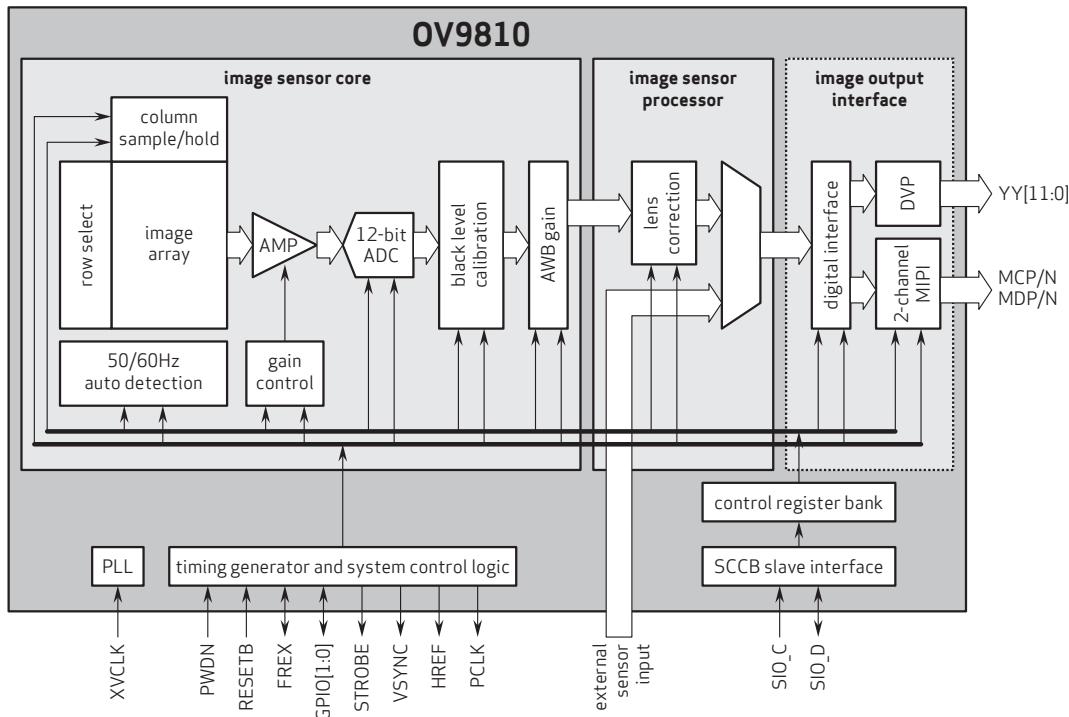
## Product Features

- high quality 9 megapixel resolution
- full HD 1080p video capability
- small footprint  
8.195 mm x 7.535 mm CSP3 package
- automatic image control functions:  
automatic exposure control (AEC),  
automatic white balance (AWB),  
automatic band filter (ABF),  
automatic 50/60 Hz luminance  
detection, and automatic black level  
calibration (ABLC)
- programmable controls for frame  
rate, exposure time, gain, mirror and  
flip, cropping, windowing, and  
panning
- image quality controls: lens  
correction, defective pixel canceling
- support for output formats: RAW8,  
RAW10, RAW12, generic 8-bit long  
packet data types, user defined  
byte-based data
- support for frame exposure mode
- support for horizontal and vertical  
sub-sampling and VarioPixel™
- support for LED and flash strobe  
mode
- standard serial camera control bus  
(SCCB) interface
- digital video port (DVP) parallel  
output and MIPI interfaces
- embedded one-time programmable  
(OTP) memory for part  
identification, etc.
- on-chip phase lock loop (PLL)
- programmable I/O drive capability
- built-in 1.5V regulator for core

## Product Specifications

- **active array size:** 3488 x 2616
- **power supply:**  
- core: 1.5 VDC ± 5%  
- analog: 2.8 V ± 5%  
- I/O: 1.7 - 3.1 V
- **temperature range:**  
- operating: -30°C to 70°C  
- optimal: 0°C to 50°C
- **output formats:**  
- RAW8, RAW10, RAW12, generic  
8-bit long packet data types, user  
defined byte-based data
- **lens size:** 1/2.3"
- **lens chief ray angle:** up to 11°
- **input clock frequency:** 6 - 27 MHz
- **frame rate:**  
9 megapixel (3488 x 2616): 8.9 fps  
8 megapixel (3264 x 2448): 10 fps  
5 megapixel (2592 x 1944): 15 fps  
1080p (1920 x 1080): 30 fps  
720p (1280 x 720): 60 fps  
1744 x 982: 30 fps  
VGA (640 x 480): 60 fps  
QVGA (320 x 240): 120 fps
- **sensitivity:** 960 mV/(lux-sec)
- **scan mode:** progressive
- **pixel size:** 1.75 µm x 1.75 µm
- **image area:** 6160 µm x 4606 µm
- **package dimensions:**  
8195 µm x 7535 µm

## Functional Block Diagram



4275 Burton Drive  
Santa Clara, CA 95054


tel: +1 408 567 3000  
fax: +1 408 567 3001  
[www.ovt.com](http://www.ovt.com)

OmniVision reserves the right to make changes to their products or to discontinue any product or service without further notice. OmniVision is a registered trademark of OmniVision Technologies, Inc. The OmniVision logo and OmniPixel3-HS, VarioPixel are trademarks of OmniVision Technologies, Inc. All other trademarks are the property of their respective owners.



## Looking for pricing, stock, or lifecycle information?

Click below to explore more details on WIN SOURCE:

-  [View OV09810-A70A on WIN SOURCE](#)
-  [OmniVision Technologies Inc Information](#)

## Optimize Your Supply Chain with WIN SOURCE Solutions

-  Global Sourcing Solution
-  Obsolete Management
-  Cost Control Management
-  Shortage Management
-  Alternative Solution
-  Excess Inventory Management