



THE DATASHEET OF
43202-8817



NOTES:

- 1) MATERIAL:
HOUSING: NYLON(PA), GLASS FILLED, UL94V-0, COLOR: SEE SHEETS 5 AND 6
INSULATOR: NYLON(PA), GLASS FILLED, UL94V-0, COLOR: SEE SHEETS 5 AND 6
TERMINALS: PHOSPHOR BRONZE, .012/ 0.30 THICK
SHIELD: BRASS, .007/ 0.18 THICK
- 2) FINISH:
TERMINALS:
A = SELECT GOLD IN CONTACT AREA: 50 MICROINCHES / 1.27 MICROMETERS MIN.,
*SELECT TIN IN PC TAIL AREA: 100 MICROINCHES / 2.54 MICROMETERS MIN.,
WITH OVERALL NICKEL UNDERPLATE: 50 MICROINCHES / 1.27 MICROMETERS MIN.,
B = SELECT GOLD IN CONTACT AREA: 30 MICROINCHES / 0.76 MICROMETERS MIN.,
*SELECT TIN IN PC TAIL AREA: 100 MICROINCHES / 2.54 MICROMETERS MIN.,
WITH OVERALL NICKEL UNDERPLATE: 50 MICROINCHES / 1.27 MICROMETERS MIN.
*THE PRIMARY SHIPPING CARTON WILL BE LABELED "COMPLIANT TO ROHS
DIRECTIVE 2002/95/EC AND ELV ANNEX II OF DIRECTIVE 2000/53/EC".
CARTONS WITHOUT THIS LABEL MAY CONTAIN PRODUCT WITH TIN-LEAD
IN THE PC TAILS AND/OR SHIELD.

SHIELD:

- 100 MICROINCHES / 2.54 MICROMETERS NICKEL OVER 50 MICROINCHES / 1.27 MICROMETERS COPPER UNDERPLATE PCB GROUND TABS DIPPED IN TIN
- 3) PRODUCT SPECIFICATION AND PROCESSING PARAMETERS: PS-4320Z.
- 4) PACKAGING SPECIFICATION:
UNSHIELDED CONNECTOR ASSEMBLIES PACKAGED IN THERMOFORMED TRAYS
PER MOLEX PACKAGING SPECIFICATION PK-4320Z-003,
UNSHIELDED CONNECTOR ASSEMBLIES PACKAGED IN TUBES
PER MOLEX PACKAGING SPECIFICATION PK-4320Z-005,
SHIELDED CONNECTOR ASSEMBLIES PACKAGED IN THERMOFORMED TRAYS
PER MOLEX PACKAGING SPECIFICATION PK-4320Z-004.
- 5) SEE SHEETS 7 - 9 FOR P.C. BOARD LAYOUTS.
- 6) CONFORMS TO FCC REGULATION PART 68.5 FOR MODULAR JACKS.
- 7) THIS PART CONFORMS TO CLASS B REQUIREMENTS OF COSMETIC SPECIFICATION PS-45499-002.

DRAWING LEGEND

- SHEET 1- NOTES, DRAWING LEGEND
- SHEET 2- SHIELDED MODULAR JACK W/ BOTTOM GROUND TABS
- SHEET 3- SHIELDED MODULAR JACK W/O BOTTOM GROUND TABS
- SHEET 4- UNSHIELDED MODULAR JACK
- SHEET 5- PART NUMBER CHARTS
- SHEET 6- PART NUMBER CHARTS
- SHEET 7- FOOTPRINT LAYOUT FOR 4 POSITION HOUSING
- SHEET 8- FOOTPRINT LAYOUT FOR 6 POSITION HOUSING
- SHEET 9- FOOTPRINT LAYOUT FOR 8 POSITION HOUSING

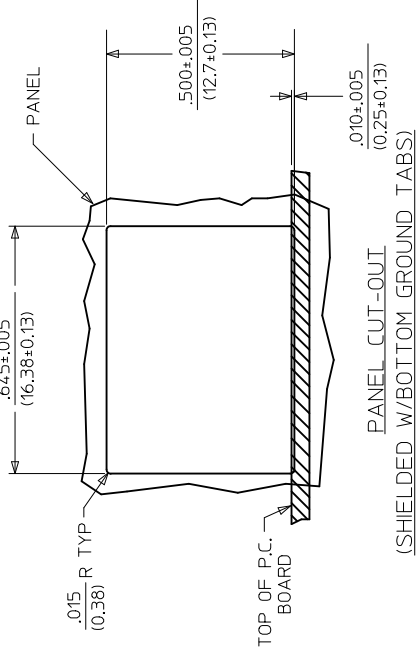
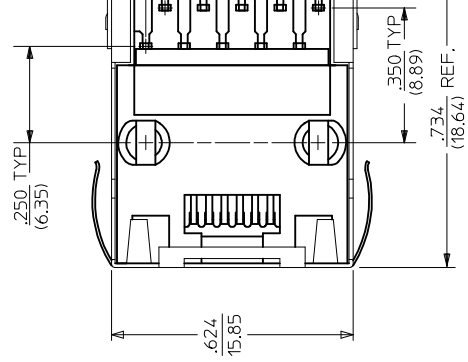
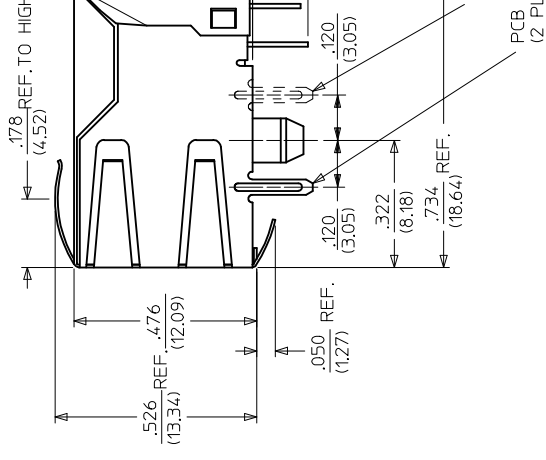
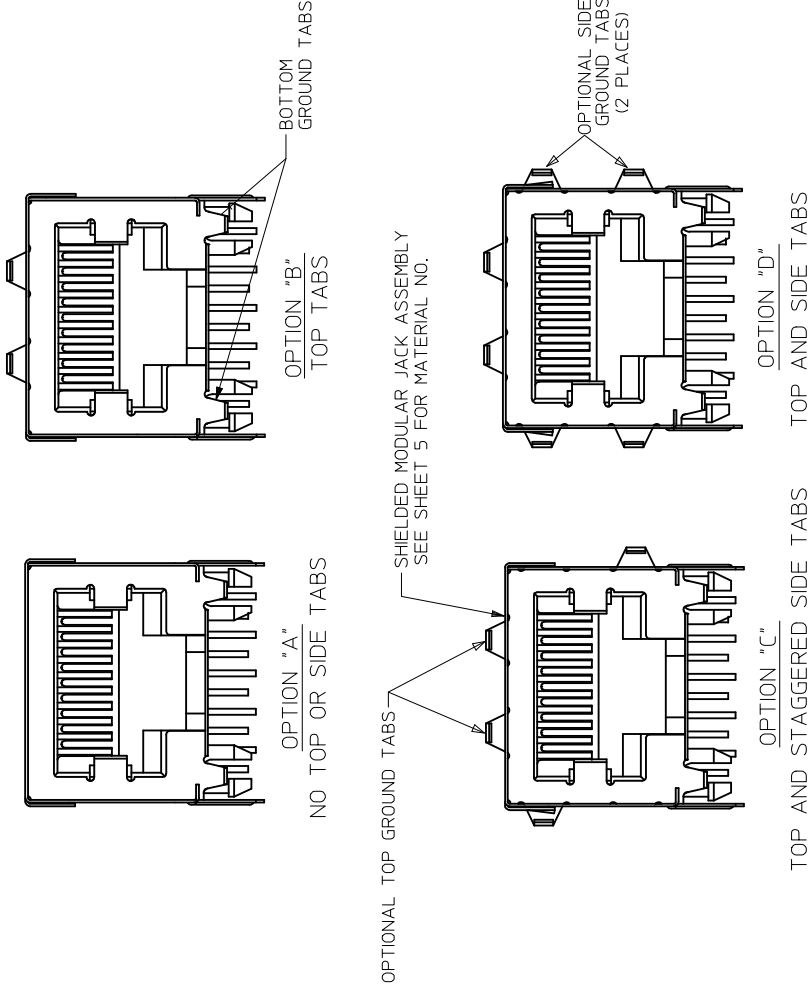
CHG: 2016/11/08 APPR: KLANG DESCRIPTION REV		QUALITY SYMBOLS 4 PLACES ± 0 3 PLACES ± 0 2 PLACES ± 0.25 1 PLACE ± 0.36 ±	GENERAL TOLERANCES (UNLESS SPECIFIED) mm INCH ± --- ± --- ± 010 ± .014 ± 014 ± --- ANGULAR ± 1/2°	DRAWN BY: JTR CHECKED BY: JTR APPROVED BY: FSM/TH DATE: 1993/03/31 DATE: 1993/03/31 DATE: 2012/02/09	DIMENSION STYLE: IN/MM SEE SHTS 5&6 SIZE THIS DRAWING CONTAINED INCORPORATED AND SI
--	--	--	--	---	---

DRAFT WHERE APPLICABLE MUST REMAIN WITHIN DIMENSIONS

SHIELDED MODULAR JACK W/BOTTOM GROUND TABS

SIZE 8 LOADED 10 VERSION SHOWN

SIDE/TOP GROUND TAB OPTIONS FOR SHIELDS



HOUSING SIZE	CIRCUIT SIZE	B
8	10	.450±.005 11.43±.13
8	8	.350±.005 8.89±.13

REV	DESCRIPTION
1	DRW:AFENG02 2016/11/07
2	APP:KLANG 2016/11/08

QUALITY SYMBOLS	GENERAL TOLERANCES (UNLESS SPECIFIED)	IN/MM	DRAWN BY	DATE
∇=0	4 PLACES ±---	INCH	JTR	1993/03/31
∇=0	3 PLACES ±---	±.010	CHECKED BY	DATE
∇=0	2 PLACES ±.025	±.014	JTR	1993/03/31
	1 PLACE ±0.36	±---	APPROVED BY	DATE
	ANGULAR ±1/2°		FSM:ITH	2012/02/09

SEE SHEET 1
FC NO: UCP2017-1065
L8

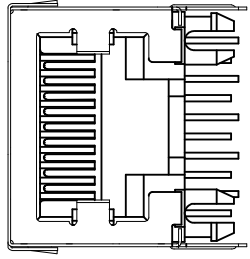
DRAFT WHERE APPLICABLE MUST REMAIN WITHIN DIMENSIONS

SEE SHEET 5
THIS DRAWING CONTAINS INCORPORATED AND S

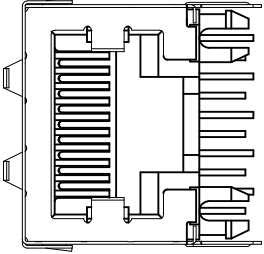
SHIELDED MODULAR JACK W/O BOTTOM GROUND TABS

SIZE 8, LOADED 10 VERSION SHOWN

SIDE/TOP GROUND TAB OPTIONS FOR SHIELDS



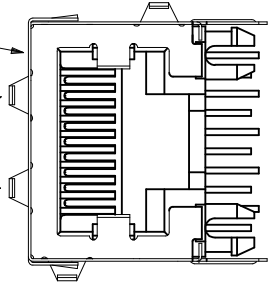
OPTION "E"
NO TOP OR SIDE TABS



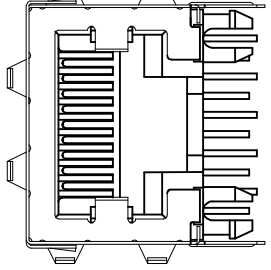
OPTION "F"
TOP TABS

OPTIONAL TOP GROUND TABS

SHIELDED MODULAR JACK ASSEMBLY
SEE SHEET 6 FOR MATERIAL NO.

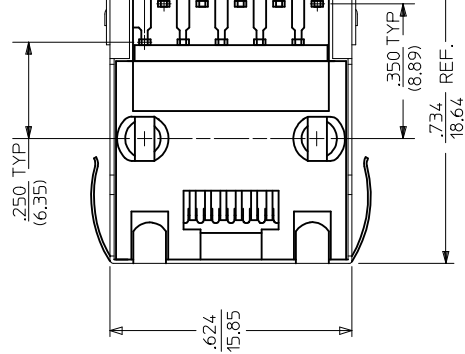
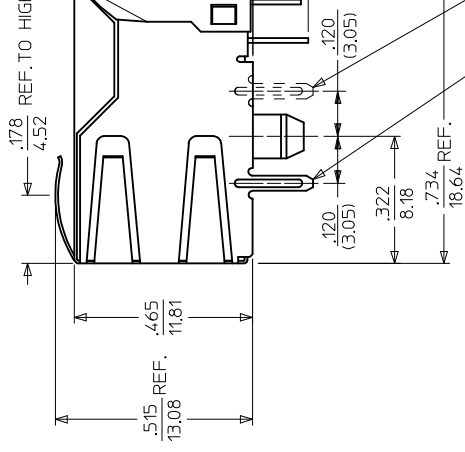


OPTION "G"
TOP AND STAGGERED SIDE TABS

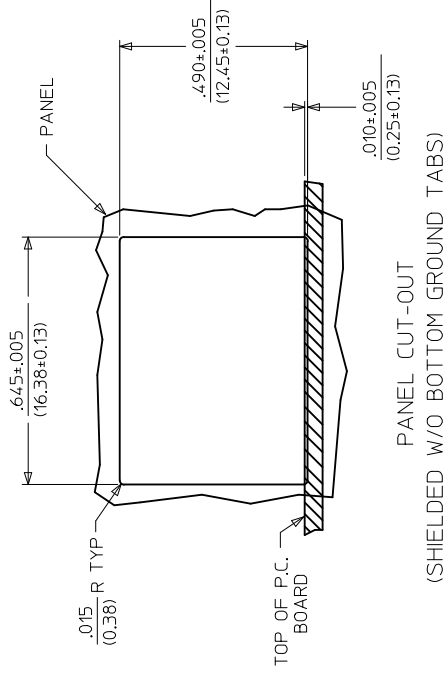


OPTION "H"
TOP AND SIDE TABS

OPTIONAL SIDE
GROUND TABS
(2 PLACES)



HOUSING SIZE	CIRCUIT SIZE	DIM. B
8	10	.450±.005 (11.43±0.13)
8	8	.350±.005 (8.89±0.13)

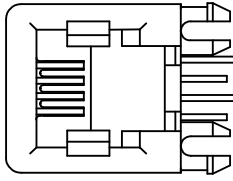


PANEL CUT-OUT
(SHIELDED W/O BOTTOM GROUND TABS)

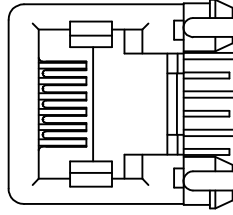
QUALITY SYMBOLS		GENERAL TOLERANCES (UNLESS SPECIFIED)		DIMENSION STYLE	
	4 PLACES ±	mm	INCH	DRAWN BY	DATE
	3 PLACES ±	± .010	± .010	JTR	1993/03/31
	2 PLACES ±	± 0.25	± .014	CHECKED BY	DATE
	1 PLACE ±	± 0.36	±	JTR	1993/03/31
		ANGULAR ±1/2°		APPROVED BY	DATE
				FSM/TH	2012/02/09
				MATERIAL NO.	
				SEE SHEET 6	
				SIZE THIS DRAWING CONTAINED INCORPORATED AND SH	

UNSHIELDED MODULAR JACKS

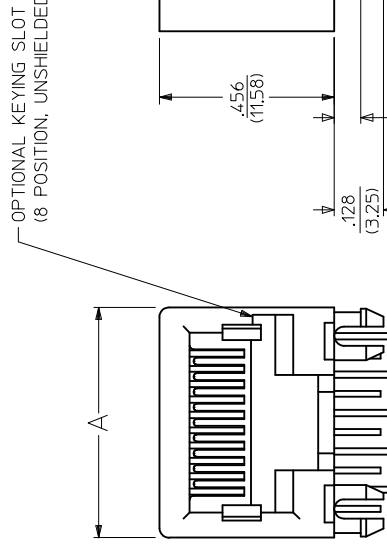
SIZE 8, LOADED 10 SHOWN



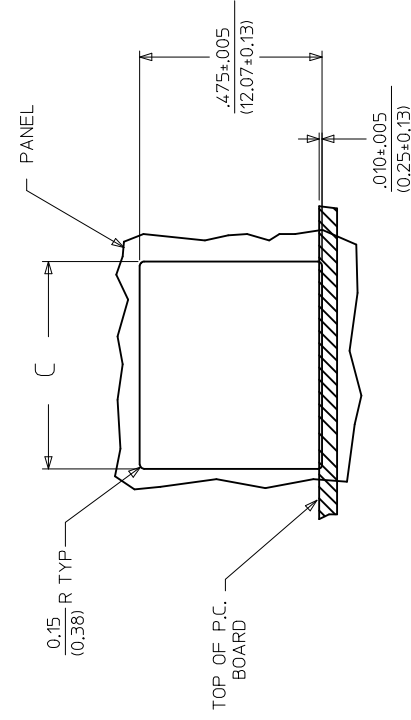
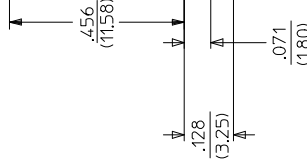
SIZE 4
LOADED 4 SHOWN



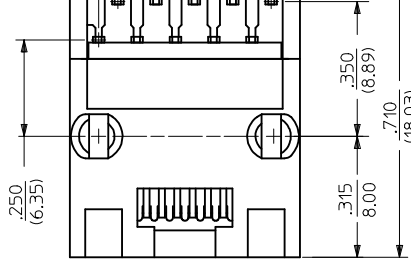
SIZE 6
LOADED 6 SHOWN



OPTIONAL KEYING SLOT
(8 POSITION, UNSHIELDED HOUSING ONLY.)
SEE S



PANEL CUT-OUT (UNSHIELDED)



HOUSING SIZE	LOADED CIRCUITS	A	B	C
4	4	.440 (11.18)	.150±.005 (3.81±0.13)	.460±.005 (11.68±0.13)
4	2	.440 (11.18)	.050±.005 (1.27±0.13)	.460±.005 (11.68±0.13)
6	6	.520 (13.21)	.250±.005 (6.35±0.13)	.540±.005 (13.72±0.13)
6	4	.520 (13.21)	.150±.005 (3.81±0.13)	.540±.005 (13.72±0.13)
6	2	.520 (13.21)	.050±.005 (1.27±0.13)	.540±.005 (13.72±0.13)
8	10	.600 (15.24)	.450±.005 (11.43±0.13)	.620±.005 (15.75±0.13)
8	8	.600 (15.24)	.350±.005 (8.89±0.13)	.620±.005 (15.75±0.13)
8	6	.600 (15.24)	.250±.005 (6.35±0.13)	.620±.005 (15.75±0.13)
8	4	.600 (15.24)	.150±.005 (3.81±0.13)	.620±.005 (15.75±0.13)
8	2	.600 (15.24)	.050±.005 (1.27±0.13)	.620±.005 (15.75±0.13)

QUALITY SYMBOLS	GENERAL TOLERANCES (UNLESS SPECIFIED)	DIMENSION STYLE
▽=0	4 PLACES ±.0005	IN/MM
▽=0	3 PLACES ±.0010	DRAWN BY
▽=0	2 PLACES ±.0025	JTR
▽=0	1 PLACE ±.0036	CHECKED BY
	ANGULAR ±1/2°	JTR
		APPROVED BY
		FSM/TH
		MATERIAL NO.
		2012102109
		DATE
		1993/03/31
		DATE
		1993/03/31

DATE 2016/11/07

DESCRIPTION

APP:KLANG

CHKD:

DRW:AFENG02

EC NO: UCP2017-1045

REV

L8




SEE SHEET 1

DRAFT WHERE APPLICABLE MUST REMAIN WITHIN DIMENSIONS

SIZE THIS DRAWING CONTAINS INCORPORATED AND SH

SHIELDED MODULAR JACKS W/BOTTOM GROUND TABS (SHEET 2)

NOT TOOLED *X*	ASSEMBLY MATERIAL NUMBER	CONNECTOR SIZE	NUMBER OF CIRCUITS	SIDE/TOP PANEL GROUND TAB OPTION	PCB GROUND TAB OPTION	TERMINAL PLATING OPTION	PACKAGING OPTION	HOUSING CO
X	43202-8900	8	10	A	FRONT POSITION	A	TRAY	B
X	43202-8901	8	10	B	FRONT POSITION	A	TRAY	B
X	43202-8902	8	10	C	FRONT POSITION	A	TRAY	B
X	43202-8903	8	10	D	FRONT POSITION	A	TRAY	B
X	43202-8908	8	10	A	REAR POSITION	A	TRAY	B
X	43202-8909	8	10	B	REAR POSITION	A	TRAY	B
X	43202-8910	8	10	C	REAR POSITION	A	TRAY	B
X	43202-8911	8	10	D	REAR POSITION	A	TRAY	B
	43202-8916	8	8	A	FRONT POSITION	A	TRAY	B
	43202-8917	8	8	B	FRONT POSITION	A	TRAY	B
	43202-8918	8	8	C	FRONT POSITION	A	TRAY	B
X	43202-8919	8	8	D	FRONT POSITION	A	TRAY	B
	43202-8924	8	8	A	REAR POSITION	A	TRAY	B
X	43202-8925	8	8	B	REAR POSITION	A	TRAY	B
X	43202-8926	8	8	C	REAR POSITION	A	TRAY	B
	43202-8927	8	8	D	REAR POSITION	A	TRAY	B

EC NO: UCP2017-1045 DRW:AFENG02 2016/11/07 CHKD: APPR:KLANG 2016/11/08 DESCRIPTION	QUALITY SYMBOLS  = 0  = 0  = 0	GENERAL TOLERANCES (UNLESS SPECIFIED) mm ± --- 4 PLACES ± --- 3 PLACES ± --- ±.010 2 PLACES ±.025 ±.014 1 PLACE ±0.36 ± --- ANGULAR ±1/2°	DIMENSION STYLE IN/MM DRAWN BY JTR DATE 1993/03/31 CHECKED BY JTR DATE 1993/03/31 APPROVED BY FSMITH DATE 2012/02/09
L8 SEE SHEET 1 EC NO: UCP2017-1045 DRW:AFENG02 2016/11/07 CHKD: APPR:KLANG 2016/11/08 DESCRIPTION	DRAFT WHERE APPLICABLE MUST REMAIN WITHIN DIMENSIONS	MATERIAL NO. SEE CHART SIZE <input checked="" type="checkbox"/> THIS DRAWING CONTAINS INCORPORATED AND S	DIMENSION STYLE IN/MM DRAWN BY JTR DATE 1993/03/31 CHECKED BY JTR DATE 1993/03/31 APPROVED BY FSMITH DATE 2012/02/09

SHIELDED MODULAR JACKS W/O BOTTOM GROUND TABS (SHEET 3)

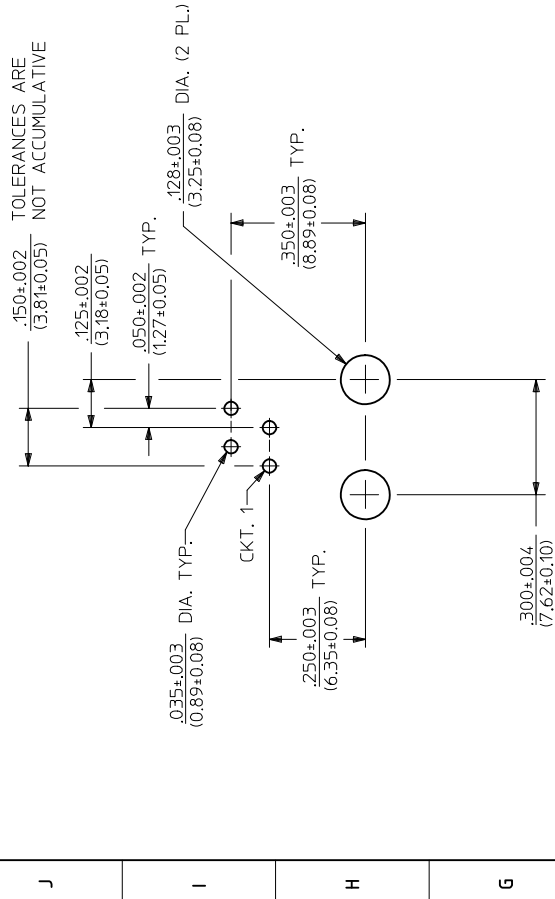
NOT TOOLED "X"	ASSEMBLY MATERIAL NUMBER	CONNECTOR SIZE	NUMBER OF CIRCUITS	SIDE/TOP PANEL GROUND TAB OPTION	PCB GROUND TAB OPTION	TERMINAL PLATING OPTION	PACKAGING	HOUSING COLOR
X	43202-8800	8	10	E	FRONT POSITION	A	TRAY	BLACK
X	43202-8801	8	10	F	FRONT POSITION	A	TRAY	BLACK
X	43202-8802	8	10	G	FRONT POSITION	A	TRAY	BLACK
X	43202-8803	8	10	H	FRONT POSITION	A	TRAY	BLACK
X	43202-8808	8	10	E	REAR POSITION	A	TRAY	BLACK
X	43202-8809	8	10	F	REAR POSITION	A	TRAY	BLACK
X	43202-8810	8	10	G	REAR POSITION	A	TRAY	BLACK
X	43202-8811	8	10	H	REAR POSITION	A	TRAY	BLACK
	43202-8816	8	8	E	FRONT POSITION	A	TRAY	BLACK
	43202-8817	8	8	F	FRONT POSITION	A	TRAY	BLACK
	43202-8818	8	8	G	FRONT POSITION	A	TRAY	BLACK
	43202-8819	8	8	H	FRONT POSITION	A	TRAY	BLACK
	43202-8824	8	8	E	REAR POSITION	A	TRAY	BLACK
	43202-8825	8	8	F	REAR POSITION	A	TRAY	BLACK
X	43202-8826	8	8	G	REAR POSITION	A	TRAY	BLACK
	43202-8827	8	8	H	REAR POSITION	A	TRAY	BLACK

UNSHIELDED MODULAR JACKS- (SHEET 4)

NOT TOOLED "X"	ASSEMBLY MATERIAL NUMBER	CONNECTOR SIZE	NUMBER OF CIRCUITS	TERMINAL PLATING OPTION	KEYING OPTION	PACKAGING OPTION	HOUSING COLOR
	43202-4101	4	4	A	NO	TRAY	
X	43202-4104	4	2	A	NO	TRAY	
	43202-6101	6	6	A	NO	TRAY	
X	43202-6102	6	6	B	NO	TRAY	BLACK
X	43202-6104	6	4	A	NO	TRAY	BLACK
	43202-6105	6	4	B	NO	TRAY	BLACK
	43202-6107	6	2	A	NO	TRAY	BLACK
X	43202-6110	6	6	B	NO	TUBE	ORANGE
X	43202-6113	6	2	A	NO	TRAY	GREEN
X	43202-6116	6	2	A	NO	TRAY	
	43202-8101	8	10	A	NO	TRAY	
	43202-8104	8	8	A	NO	TRAY	
X	43202-8105	8	8	B	NO	TRAY	BLACK
	43202-8113	8	8	A	YES	TRAY	
X	43202-8116	8	6	A	NO	TRAY	
	43202-8119	8	4	A	NO	TRAY	
X	43202-8122	8	2	A	NO	TRAY	BLUE
X	43202-8125	8	8	A	NO	TRAY	BLACK
X	43202-8504	8	8	A	NO	TUBE	
X	43202-8513	8	8	A	YES	TUBE	

QUALITY SYMBOLS 	GENERAL TOLERANCES (UNLESS SPECIFIED) mm ± --- INCH ± --- 4 PLACES ± --- 3 PLACES ± --- 2 PLACES ± 0.25 1 PLACE ± 0.36 ANGULAR ± 1/2°	DIMENSION STYLE IN/MM DRAWN BY: JTR DATE: 1993/03/31 CHECKED BY: JTR DATE: 1993/03/31 APPROVED BY: FSM DATE: 2012/02/09 MATERIAL NO. 10
DESCRIPTION 2016/11/08 AP:R:KLANG CHD: DR:MAFENG02 EC NO: UCP2017-1045 L8 SEE SHEET 1	DRAFT WHERE APPLICABLE MUST REMAIN WITHIN DIMENSIONS	SEE CHART THIS DRAWING CONTAINS INCORPORATED AND S

13 12 11 10 9 8 7 6 5 4

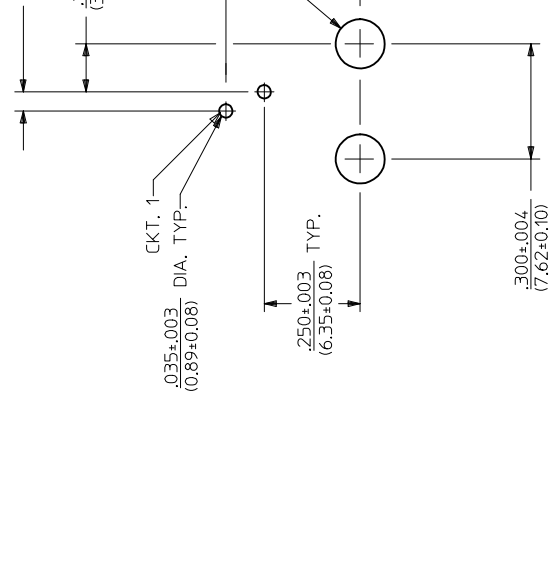


PC BOARD LAYOUT FOR 4 POSITION HOUSING

(4 CIRCUIT FOOT PRINT SHOWN)
 (COMPONENT SIDE OF BOARD)

PC BOARD LAYOUT FOR 4 P

(2 CIRCUIT FOOT PRINT SHOWN)
 (COMPONENT SIDE OF BOA

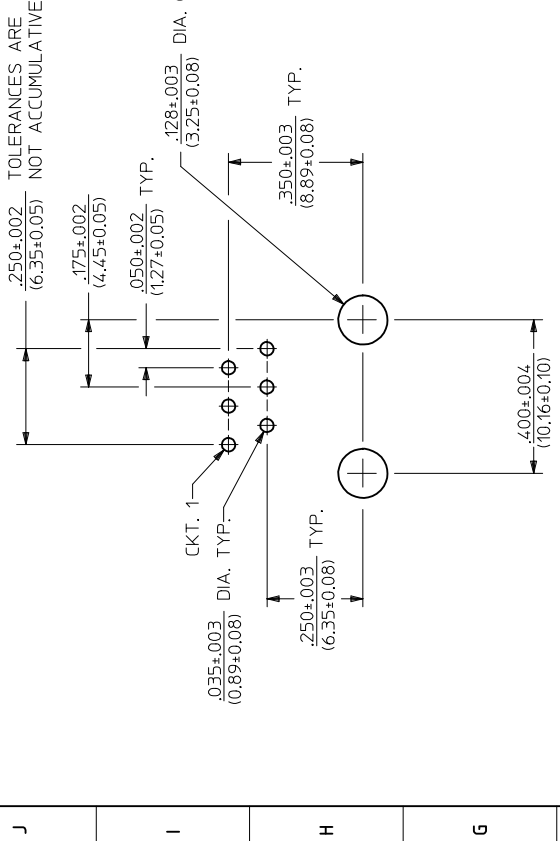


NOTES:
 1. RECOMMENDE

REV	DESCRIPTION	QUALITY SYMBOLS	GENERAL TOLERANCES (UNLESS SPECIFIED)	DIMENSION STYLE IN/MM	DRAWN BY	DATE
	APP:KLANG					JTR
L8	CH:K	=0	4 PLACES ± --- INCH	4 PLACES ± ---	CHECKED BY	DATE
	DRW:AFENG02					JTR
SEE SHEET 1	EC NO: UCP2017-1065	=0	2 PLACES ± 0.25 ± 0.14	2 PLACES ± 0.25 ± 0.14	APPROVED BY	DATE
SEE SHEET 6						JTR
		=0	ANGULAR ±1/2°	ANGULAR ±1/2°	MATERIAL NO	DATE
						FSMITH
		DRAFT WHERE APPLICABLE MUST REMAIN WITHIN DIMENSIONS				
		SIZE THIS DRAWING CONTAINED INCORPORATED AND ST				

13 12 11 10 9 8 7 6 5 4

13 12 11 10 9 8 7 6 5 4

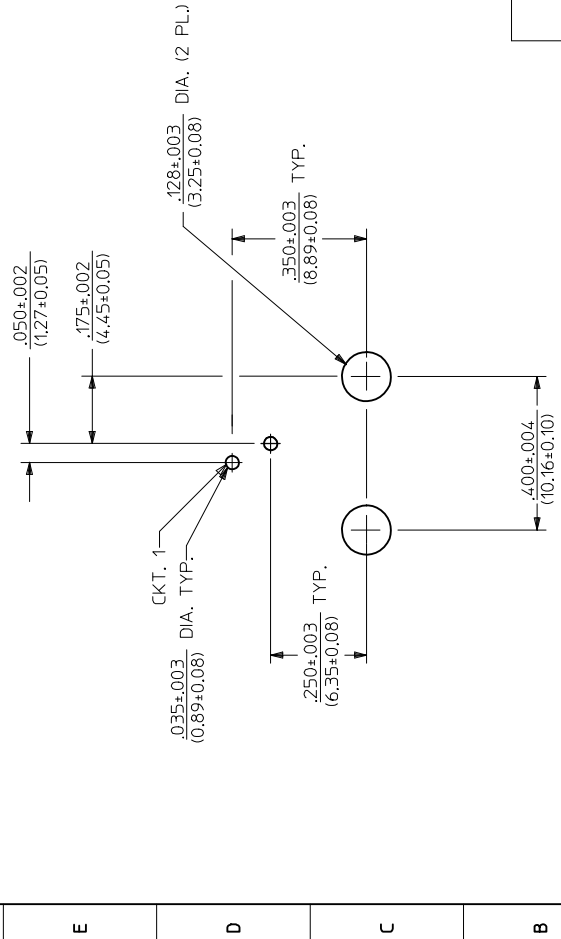


PC BOARD LAYOUT FOR 6 POSITION HOUSING

(6 CIRCUIT FOOT PRINT SHOWN)
 (COMPONENT SIDE OF BOARD)

PC BOARD LAYOUT FOR 6 POSITION HOUSING

(4 CIRCUIT FOOT PRINT SHOWN)
 (COMPONENT SIDE OF BOARD)



PC BOARD LAYOUT FOR 6 POSITION HOUSING

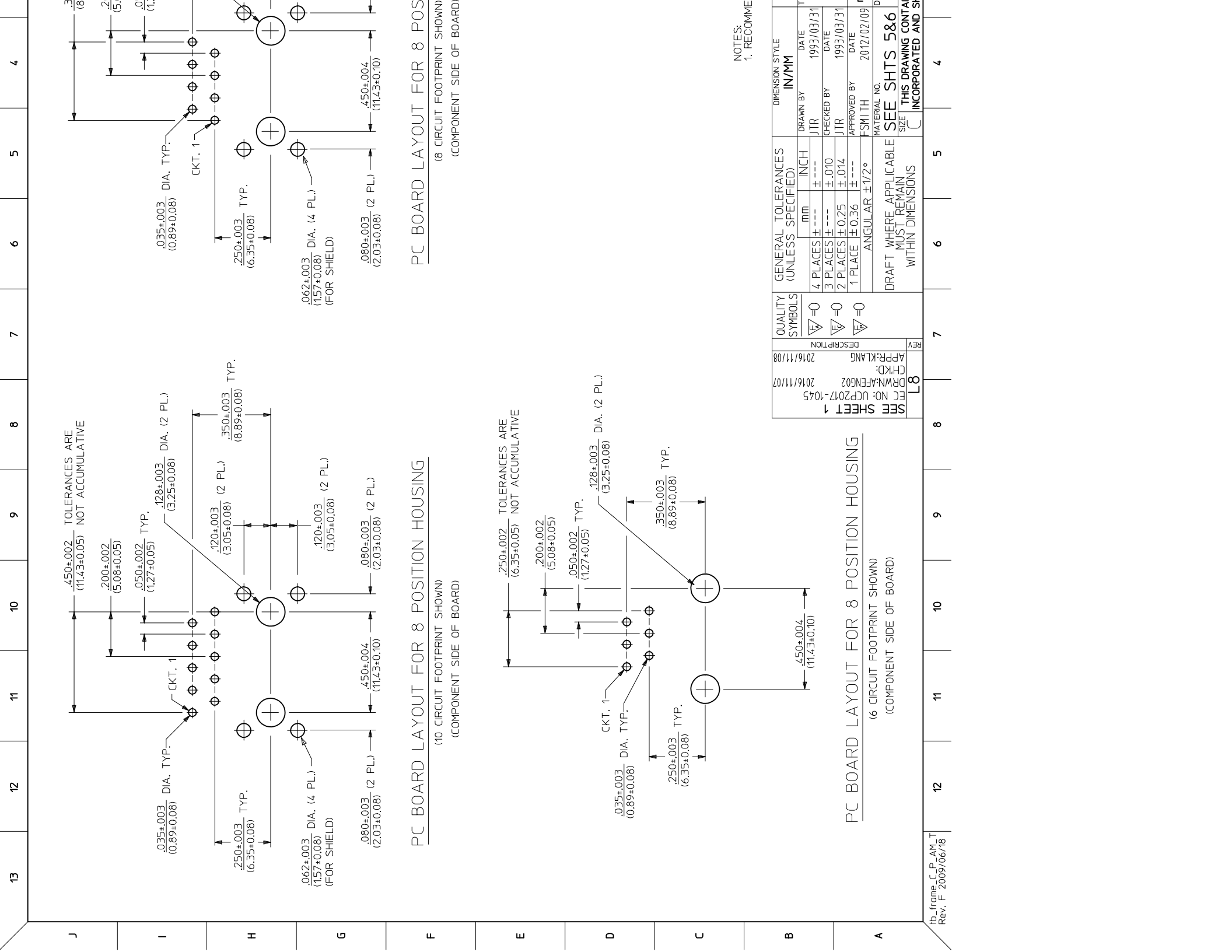
(2 CIRCUIT FOOT PRINT SHOWN)
 (COMPONENT SIDE OF BOARD)

NOTES:
 1. RECOMMEN

QUALITY SYMBOLS	GENERAL TOLERANCES (UNLESS SPECIFIED)	DIMENSION STYLE
▽=0	4 PLACES ±--- INCH	IN/MM
▽=0	3 PLACES ±--- ±.010	DRAWN BY DATE
▽=0	2 PLACES ±0.25 ±.014	JTR 1993/03/31
▽=0	1 PLACE ±0.36 ±---	CHECKED BY DATE
	ANGULAR ±1/2°	JTR 1993/03/31
	DRAFT WHERE APPLICABLE MUST REMAIN WITHIN DIMENSIONS	APPROVED BY DATE
		FSM LTH 2012/02/09
		MATERIAL NO
		SEE SHEET 6
		SIZE THIS DRAWING CONTAINED INCORPORATED AND SH

REV	DESCRIPTION
L8	EC NO: UCP2017-1045
	DRW:AFENG02
	CHKD: 2016/11/07
	APP:KLANG
	2016/11/08

tb_frames_C.P.AM.T
 Rev. F 2009/06/18



TOLERANCES ARE
(11.43±0.05) NOT ACCUMULATIVE

.035±.003 DIA. TYP. (0.89±0.08)

.250±.003 (6.35±0.08) TYP.

.062±.003 DIA. (4 PL.) (1.57±0.08) (FOR SHIELD)

.080±.003 (2 PL.) (2.03±0.08)

.450±.004 (11.43±0.10)

.200±.002 (5.08±0.05)

.050±.002 (1.27±0.05) TYP.

.128±.003 (3.25±0.08) DIA. (2 PL.)

.120±.003 (3.05±0.08) (2 PL.)

.120±.003 (3.05±0.08) (2 PL.)

.080±.003 (2 PL.) (2.03±0.08)

.350±.003 (8.89±0.08) TYP.

.450±.004 (11.43±0.10)

.250±.003 (6.35±0.08) TYP.

.062±.003 DIA. (4 PL.) (1.57±0.08) (FOR SHIELD)

.050±.002 (1.27±0.05) TYP.

.128±.003 (3.25±0.08) DIA. (2 PL.)

.200±.002 (5.08±0.05)

.350±.003 (8.89±0.08) TYP.

.450±.004 (11.43±0.10)

.250±.003 (6.35±0.08) TYP.

.450±.004 (11.43±0.10)

PC BOARD LAYOUT FOR 8 POSITION HOUSING

(10 CIRCUIT FOOTPRINT SHOWN)
(COMPONENT SIDE OF BOARD)

PC BOARD LAYOUT FOR 8 POS

(8 CIRCUIT FOOTPRINT SHOWN)
(COMPONENT SIDE OF BOARD)

QUALITY SYMBOLS	GENERAL TOLERANCES (UNLESS SPECIFIED)	DIMENSION STYLE
▽=0	4 PLACES ±.003 INCH	IN/MM
▽=0	3 PLACES ±.003 INCH	DRAWN BY
▽=0	2 PLACES ±.003 INCH	JTR
▽=0	1 PLACE ±.003 INCH	DATE
	ANGULAR ±1/2°	1993/03/31
	DRAFT WHERE APPLICABLE MUST REMAIN WITHIN DIMENSIONS	CHECKED BY
		JTR
		DATE
		1993/03/31
		APPROVED BY
		FSM/TH
		DATE
		2012/02/09
		MATERIAL NO.
		SEE SHTS 5&6
		SIZE THIS DRAWING CONTAINED AND SH
		INCORPORATED AND SH

NOTES:
1. RECOMMEN

Looking for pricing, stock, or lifecycle information?

Click below to explore more details on WIN SOURCE:

 [View 43202-8817 on WIN SOURCE](#)

 [Molex, LLC Information](#)

Optimize Your Supply Chain with WIN SOURCE Solutions

-  Global Sourcing Solution
-  Obsolete Management
-  Cost Control Management
-  Shortage Management
-  Alternative Solution
-  Excess Inventory Management