



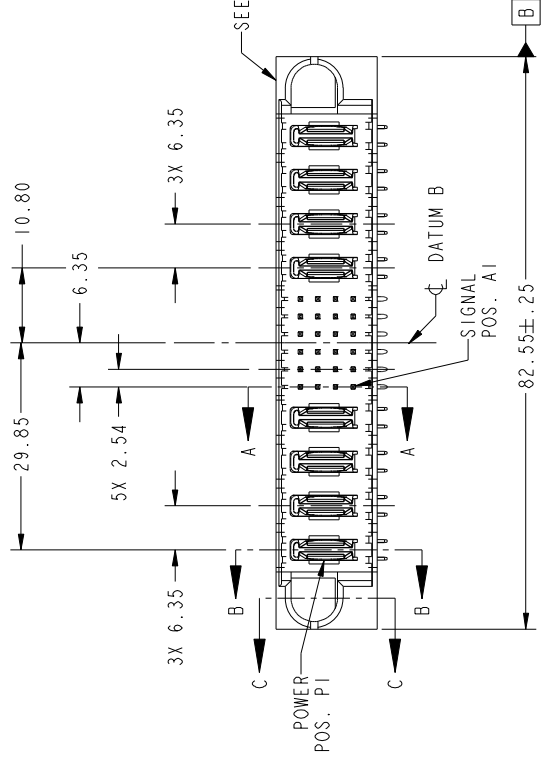
THE DATASHEET OF
51730-103LF



PRODUCT NO.	ROWS			POWER			SIGNAL			POWER		
	E1	P1	P2	P3	P4	P5	P6	P7	P8	E2		
51730-103-- NOTE: 3	D				UUUUUU	UUUUUU	UUUUUU					
	C				SSSSSS	SSSSSS	SSSSSS					
	B				RRRRRR	RRRRRR	RRRRRR					
	A											

Tous droits strictement réservés. Reproduction ou communication à des tiers interdite sous quelque forme que ce soit sans autorisation écrite du propriétaire. Propriété de c FCI. Droits de reproduction FCI.

A



All rights strictly reserved. Reproduction or issue to third parties in any form whatsoever is not permitted without written authority from the proprietor. Property of FCI. Copyright FCI.

B

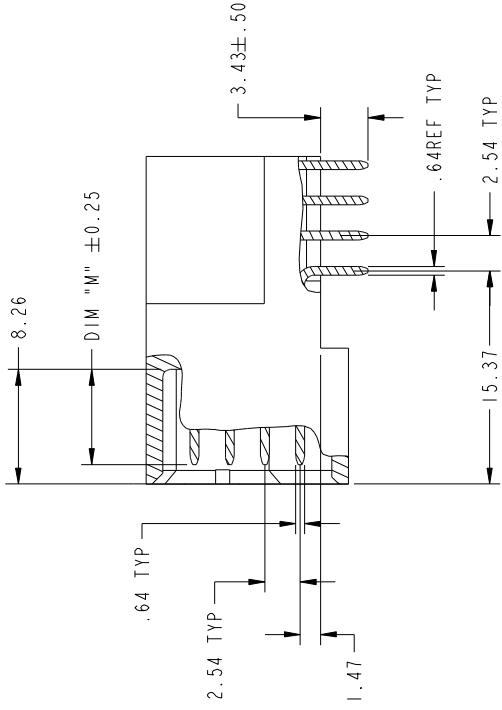
CODE	DIM "M" MATING LENGTH	CONTACT TYPE
E	[5.59]	SIGNAL
R	[6.86]	SIGNAL
S	[6.86]	SIGNAL
T	[6.86]	SIGNAL
U	[6.86]	SIGNAL
PA	[N/A]	POWER

mat'l code		SEE NOTE		tolerances unless otherwise specified		CUSTOMER COPY projection
lir	ecn no.	dr	date			
A	V04-0948	TAB	09/22/04	linear	0.X ±0.5	 MM scale 1:1
B	DG05-0463	CS	11/14/05		0.XX ±0.25	
C	DG07-0498	JW	09/15/08	angles	0.XXX ±0.10	
					0° ±2°	
				dr	T. BRUNGARD 09/22/04	
				engr	M. GRAY 09/22/04	
				chr	M. GRAY 09/22/04	
				appd	M. GRAY 09/22/04	
sheet index	revision sheet	C	C	C	C	
		1	2	3	4	

PRODUCT NUMBER
51730-103--
NOTE: 3

1 | 2

3 |

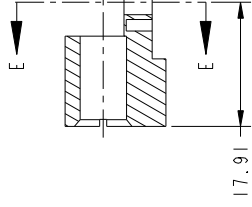


BROKEN-OUT SECTION A-A
SCALE 2:1

BROKEN-OUT SECTION
SCALE 2:1



All rights strictly reserved. Reproduction or issue to third parties in any form whatsoever is not permitted without written authority from the proprietor. Property of FCI. Copyright FCI.



SECTION C-C

PAT

mat'l code		SEE NOTE		tolerances unless otherwise specified		CUSTOMER COPY	
lfr	ecn no.	dr	date	linear	angles	projection	scale
C					$0.X \pm 0.5$	\oplus	
					$0.XX \pm 0.25$		
					$0.XXX \pm 0.10$		
					$0 \pm 2^\circ$		
					T. BRUNGARD		MM
					M. GRAY		1:1
					M. GRAY		
					M. GRAY		
sheet index	revision sheet						

1 | 2

Pro/E

3 |

PDM: Rev:0

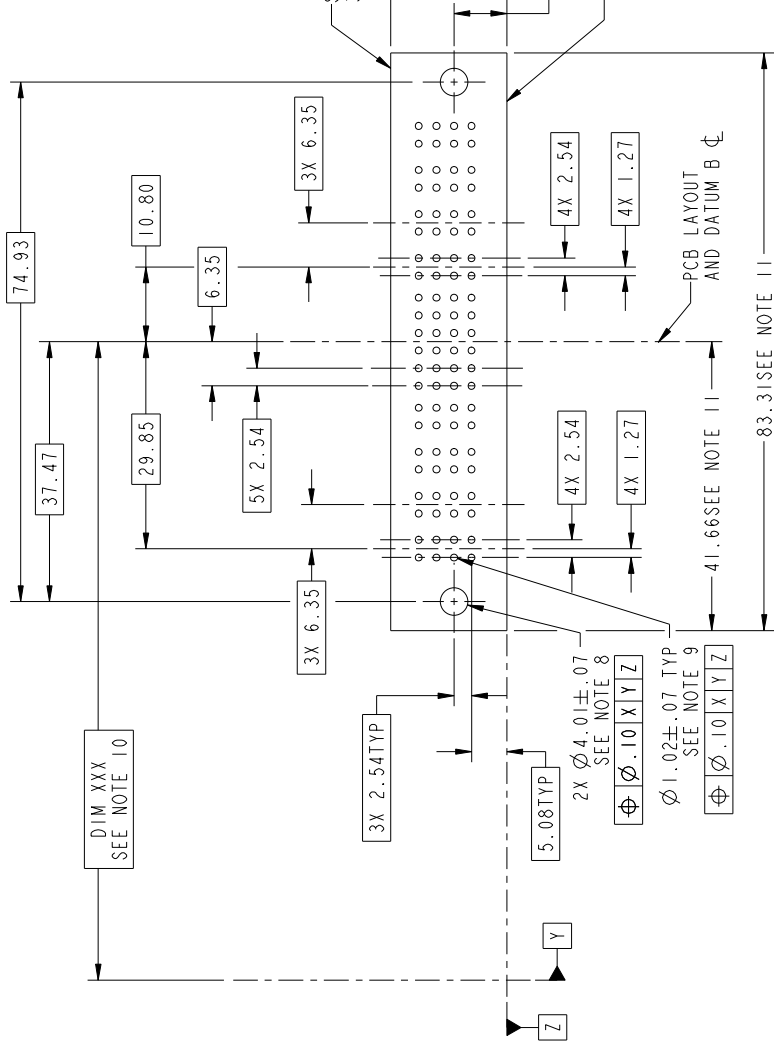
PRODUCT NUMBER
51730-103
NOTE: 3

1 | 2

3 |

Tous droits strictement réservés. Reproduction ou communication a des tiers interdite sous quelque forme que ce soit sans autorisation écrite du propriétaire.
Propriete de c FCI. Droits de reproduction FCI.

A



RECOMMENDED PCB LAYOUT

B

mat'l code		SEE NOTE		tolerances unless otherwise specified		CUSTOMER	
lfr	ecn no.	dr	date	linear	angles	projection	COPY
C				$0.X \pm 0.5$	$0.XXX \pm 0.25$	\oplus	
				$0.XXX \pm 0.10$	$0 \pm 2^\circ$	MM	
				T. BRUNGARD	09/22/04	MM	
				engr	09/22/04	MM	
				chr	09/22/04	MM	
				appd	09/22/04	MM	
sheet index	revision	sheet				scale	1 : 1

1 | 2

Pro/E

3 |

PDM: Rev:0

All rights strictly reserved. Reproduction or issue to third parties in any form whatever is not permitted without written authority from the proprietor.
Property of FCI. Copyright FCI.

PRODUCT NUMBER

51730-103--
NOTE: 3

NOTES:

1. DIMENSIONS AND TOLERANCES ARE IN ACCORDANCE WITH ASME Y14.5M, 1994 UNLESS OTHERWISE SPECIFIED.

CONNECTOR NOTES:

- ② HOUSING MATERIAL: UL 94 V-0 GLASS FILLED HIGH-TEMP THERMOPLASTIC
POWER CONTACT MATERIAL: COPPER ALLOY
SIGNAL PIN MATERIAL: COPPER ALLOY

3. PLATING:

- △ SEE ITEM 1 & 2 IN PRINT 10064183 FOR PLATING SPEC OF 51730-103; 51730-103LF PRESPECTIVELY

- ④ MANUFACTURER'S NAME, P/N, AND DATE CODE TO APPEAR ON THIS SURFACE.

5. PRODUCT SPECIFICATION GS-12-149.
APPLICATION SPECIFICATION BUS-20-067.

6. PACKAGED IN TRAYS.

PCB NOTES:

7. ALL HOLE DIAMETERS ARE FINISHED HOLE SIZE.

- ⑧ MOUNTING HOLES, WHERE APPLICABLE, ARE UNPLATED.

- ⑨ $\varnothing 1.151 \pm 0.025$ DRILLED HOLES PLATED WITH 0.008 MIN SnPb OR Sn OVER 0.03 TO 0.08 Cu PLATING TO ACHIEVE $\varnothing 1.02 \pm .07$ HOLE.

- ⑩ "DIM XXX" TO BE DETERMINED BY THE CUSTOMER.

- ⑪ CONNECTOR KEEP-OUT ZONE.

12. A Δ SYMBOL WILL BE NEXT TO ANY DIMENSION, VIEW, OR NOTE WHICH HAS BEEN MODIFIED WITH THE CURRENT DRAWING REVISION.

Tous droits strictement réservés. Reproduction ou communication o des tiers interdite sous quelque forme que ce soit sans autorisation écrite du propriétaire.
Property of FCI. Copyright FCI.





All rights strictly reserved. Reproduction or issue to third parties in any form whatever is not permitted without written authority from the proprietor.
Property of FCI. Copyright FCI.

mat'l code		SEE NOTE		tolerances unless otherwise specified		CUSTOMER
lfr	ecn no.	dr	date			COPY
C				linear	0. X \pm 0.5	projection
				angles	0. XX \pm 0.25	
				dr	0. XXX \pm 0.10	
				dr	0° \pm 2°	SCALE
				engr	T. BRUNGARD 09/22/04	1 : 1
				chr	M. GRAY 09/22/04	
				appd	M. GRAY 09/22/04	
sheet index	revision	sheet				

Looking for pricing, stock, or lifecycle information?

Click below to explore more details on WIN SOURCE:

-  [View 51730-103LF on WIN SOURCE](#)
-  [Amphenol FCI Information](#)

Optimize Your Supply Chain with WIN SOURCE Solutions

-  Global Sourcing Solution
-  Obsolete Management
-  Cost Control Management
-  Shortage Management
-  Alternative Solution
-  Excess Inventory Management