



THE DATASHEET OF
51752-013LF

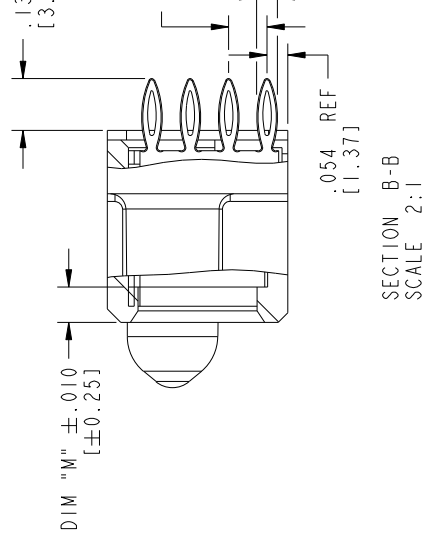
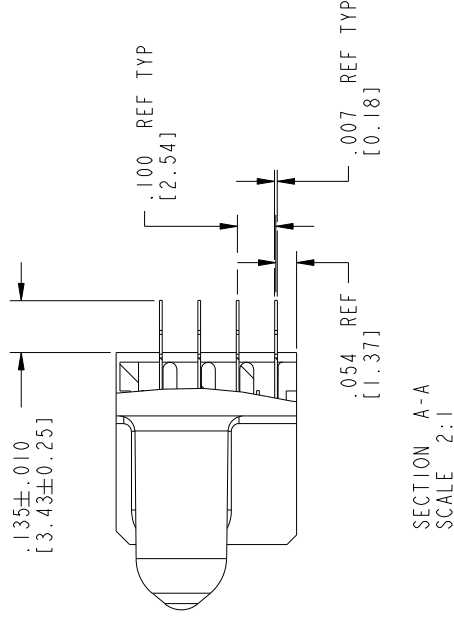


1 | 2

3

PRODUCT NUMBER
51752-013--
NOTE 3

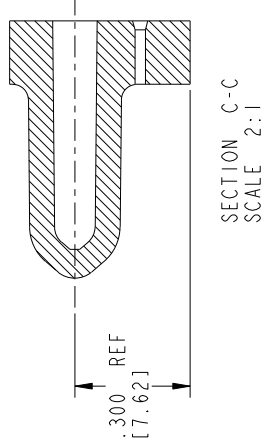
Tous droits strictement reserves. Reproduction ou communication a des tiers interdite sous quelque forme que ce soit sans autorisation ecrite du proprietaire.
Propriete de c FCI. Droits de reproduction FCI.



A



All rights strictly reserved. Reproduction or issue to third parties in any form whatever is not permitted without written authority from the proprietor.
Property of FCI. Copyright FCI.



B

mat'l code		SEE NOTE 2		Tolerances unless otherwise specified		CUSTOMER	
lir	ecn no.	dr	date	linear	angles	dr	engr
B				.XX ± .01/0.X ± 0.3	0 ± 2°		
				.XXX ± .005/0.XX ± 0.13			
				.XXX ± .0020/0.XXX ± 0.051			
				STEVEN WANG	07/14/05		
				STEVEN WANG	07/14/05		
				VICTOR LIN	07/14/05		
				JOSEPH HSIA	07/14/05		
sheet index	revision	sheet					

FCI		CUSTOMER		title	
COPY		projection		product family	
					VERTICAL
					size
					dwg no
					A 51
					scale
					1:1

1 | 2

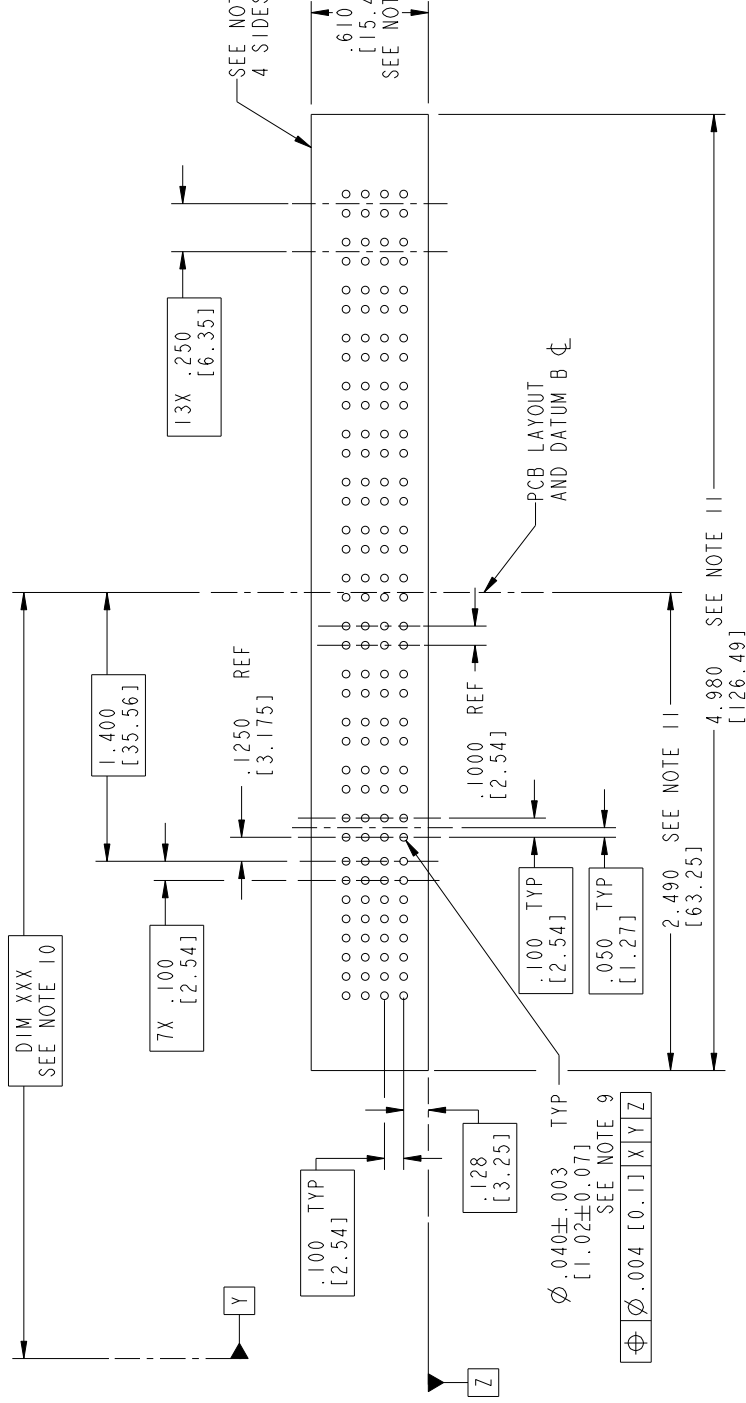
Pro/E

PDM: Rev:B

STATUS: R

PRODUCT NUMBER
51752-013
NOTE 3

Tous droits strictement reserves. Reproduction ou communication a des tiers interdite sous quelque forme que ce soit sans autorisation écrite du propriétaire. Propriete de c FCI. Droits de reproduction FCI.



A



All rights strictly reserved. Reproduction or issue to third parties in any form whatever is not permitted without written authority from the proprietor. Property of FCI. Copyright FCI.

RECOMMENDED PCB LAYOUT

mat'l code		SEE NOTE 2		tolerances unless otherwise specified		CUSTOMER		FCI	
lir	ecn no.	dr	date	linear	angles	dr	projection	title	product family
B				.XX±.01/0.X±0.3	0°±2°		INCH/MM	VERTICAL	
				.XX±.005/0.X±0.13					
				.XXX±.0020/0.XXX±0.051					
						STEVEN WANG	07/14/05		size
						STEVEN WANG	07/14/05		dwg no
						VICTOR LIN	07/14/05		A
						JOSEPH HSIA	07/14/05		51
									scale
									1:1
sheet index	revision								
	sheet								

B

Looking for pricing, stock, or lifecycle information?

Click below to explore more details on WIN SOURCE:

 [View 51752-013LF on WIN SOURCE](#)

 [Amphenol FCI Information](#)

Optimize Your Supply Chain with WIN SOURCE Solutions

-  Global Sourcing Solution
-  Obsolete Management
-  Cost Control Management
-  Shortage Management
-  Alternative Solution
-  Excess Inventory Management