



**THE DATASHEET OF
RC1587M33T32**



RC1587

3A Adjustable/Fixed Low Dropout Linear Regulator

Features

- Fast transient response
- Low dropout voltage at up to 3A
- Load regulation: 0.05% typical
- Trimmed current limit
- On-chip thermal limiting
- Standard TO-220, TO-263, TO-263 center cut, and TO-252 packages

Applications

- Pentium® Class GTL+ bus supply
- Low voltage logic supply
- Post regulator for switching supply

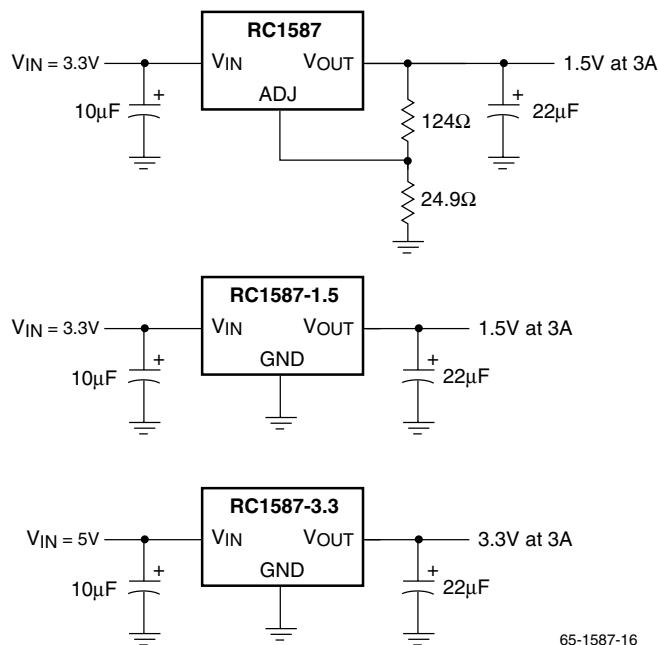
Description

The RC1587, RC1587-1.5, and RC1587-3.3 are low dropout three-terminal regulators with 3A output current capability. These devices have been optimized for low voltage applications including VTT bus termination, where transient response and minimum input voltage are critical. The RC1587 is ideal for low voltage microprocessor applications requiring a regulated output from 1.5V to 3.6V with an input supply of 5V or less. The RC1587-1.5 offers fixed 1.5V with 3A current capability for GTL+ bus VTT termination. The RC1587-3.3 offers fixed 3.3V current capability for logic IC operation.

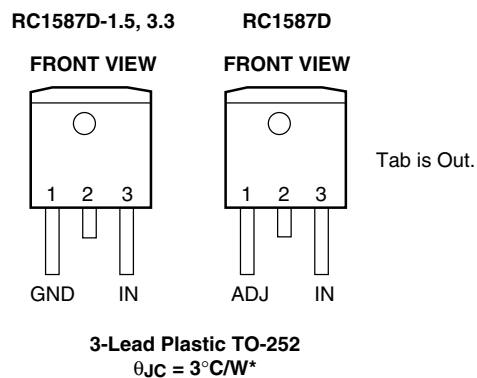
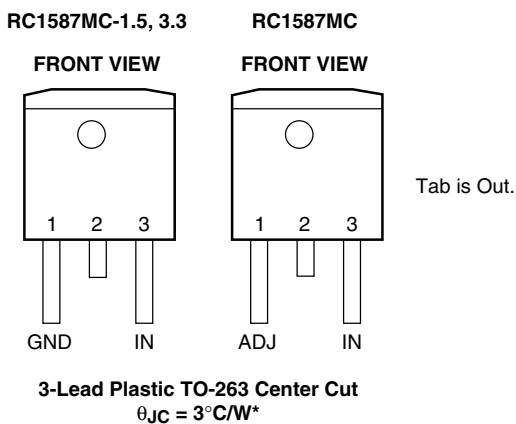
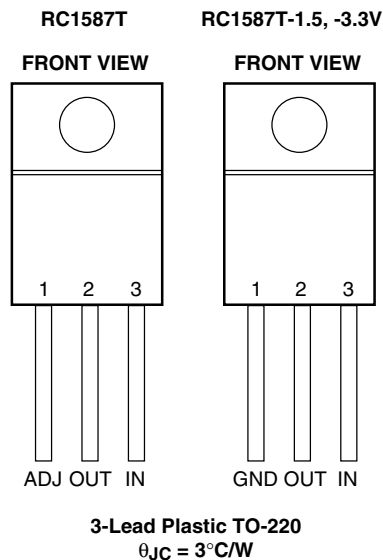
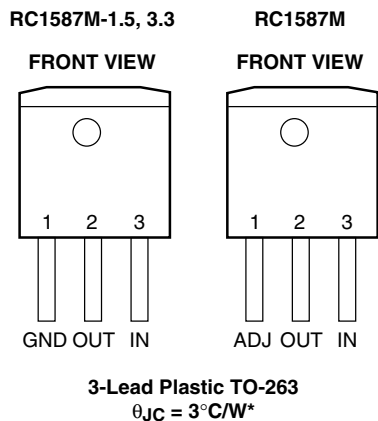
Current limit is trimmed to ensure specified output current and controlled short-circuit current. On-chip thermal limiting provides protection against any combination of overload and ambient temperature that would create excessive junction temperatures.

The RC1587, RC1587-1.5, and RC1587-3.3 are available in the industry-standard TO-220, TO-263, TO-263 center cut, and TO-252 (DPAK) power packages.

Typical Applications



Pin Assignments



* θ_{JA} can vary from 20°C/W to $>40^{\circ}\text{C/W}$ with various mounting techniques.

Absolute Maximum Ratings

| Parameter | Min. | Max. | Unit |
|---------------------------------------|------|------|------|
| V _{IN} | | 7 | V |
| Operating Junction Temperature Range | 0 | 125 | °C |
| Storage Temperature Range | -65 | 150 | °C |
| Lead Temperature (Soldering, 10 sec.) | | 300 | °C |

Electrical Characteristics

T_j = 25°C unless otherwise specified.

The • denotes specifications which apply over the specified operating temperature range.

| Parameter | Conditions | | Min. | Typ. | Max | Units |
|--|---|---|----------------|-------|----------------|-------|
| Reference Voltage ³ | $1.5V \leq (V_{IN} - V_{OUT}) \leq 5.75V$, $10mA \leq I_{OUT} \leq 3A$ | • | 1.225 (-2%) | 1.250 | 1.275 (+2%) | V |
| Output Voltage ⁴ | $3.3V \leq V_{IN} \leq 7V$ $10mA \leq I_{OUT} \leq 3A$ | • | 1.47 | 1.5 | 1.53 | V |
| Output Voltage ⁵ | $5.1V \leq V_{IN} \leq 7V$ $10mA \leq I_{OUT} \leq 3A$ | • | 3.234 | 3.3 | 3.366 | V |
| Line Regulation ^{1, 2} | $(V_{OUT} + 1.5V) \leq V_{IN} \leq 7V$, $I_{OUT} = 10mA$ | • | | 0.005 | 0.2 | % |
| Load Regulation ^{1, 2} | $(V_{IN} - V_{OUT}) = 3V$ $10mA \leq I_{OUT} \leq 3A$ | • | | 0.05 | 0.5 | % |
| Dropout Voltage | $\Delta V_{REF} = 1\%$, $I_{OUT} = 3A$ | • | | 1.150 | 1.300 | V |
| Current Limit | $(V_{IN} - V_{OUT}) = 2V$ | • | 3.1 | 4 | | A |
| Adjust Pin Current ³ | | • | | 35 | 120 | μA |
| Adjust Pin Current Change ³ | $1.5V \leq (V_{IN} - V_{OUT}) \leq 5.75V$, $10mA \leq I_{OUT} \leq 3A$ | • | | 0.2 | 5 | μA |
| Minimum Load Current | $1.5V \leq (V_{IN} - V_{OUT}) \leq 5.75V$ | • | 10 | | | mA |
| Quiescent Current | $V_{IN} = 5V$ | • | | 4 | 13 | mA |
| Ripple Rejection | $f = 120Hz$, $C_{OUT} = 22\mu F$ Tantalum, $(V_{IN} - V_{OUT}) = 3V$, $I_{OUT} = 3A$ | | 60 | 72 | | dB |
| Thermal Regulation | $T_A = 25^\circ C$, 30ms pulse | | | 0.004 | 0.02 | %/W |
| Temperature Stability | | • | | 0.5 | | % |
| Long-Term Stability | $T_A = 125^\circ C$, 1000 hrs. | | | 0.03 | 1.0 | % |
| RMS Output Noise (% of V _{OUT}) | $T_A = 25^\circ C$, $10Hz \leq f \leq 10kHz$ | | | 0.003 | | % |
| Thermal Resistance, Junction to Case | TO-220 | | | 3 | | °C/W |
| | TO-263, TO-252 | | | 3 | | °C/W |
| Thermal Shutdown | | | | 150 | | °C |

Notes:

1. See thermal regulation specifications for changes in output voltage due to heating effects. Load and line regulation are measured at a constant junction temperature by low duty cycle pulse testing.
2. Line and load regulation are guaranteed up to the maximum power dissipation (18W). Power dissipation is determined by input/output differential and the output current. Guaranteed maximum output power will not be available over the full input/output voltage range.
3. RC1587 only.
4. RC1587-1.5 only.
5. RC1587-3.3 only.

Typical Performance Characteristics

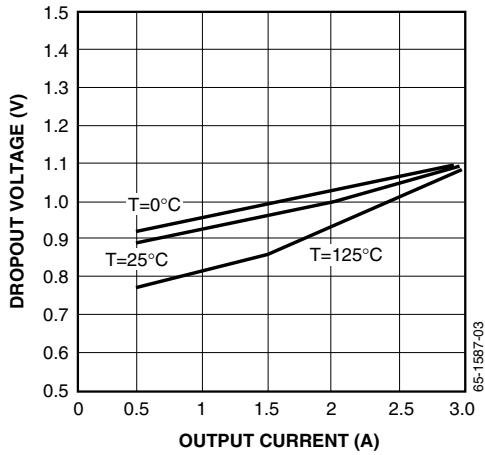


Figure 1. Dropout Voltage vs. Output Current

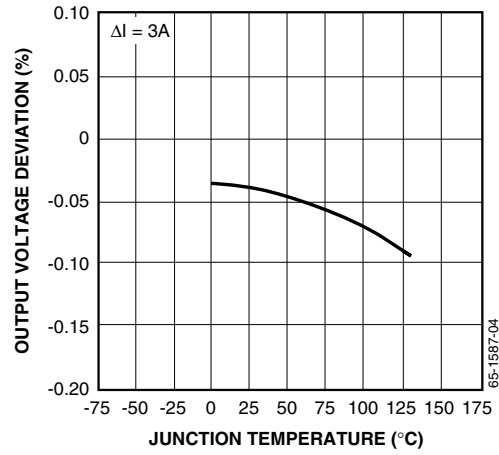


Figure 2. Load Regulation vs. Temperature

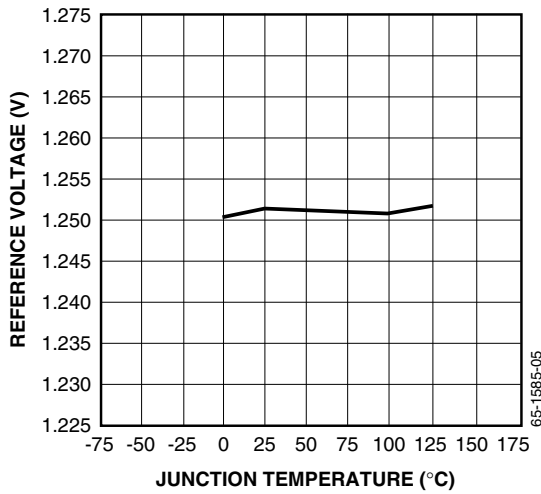


Figure 3. Reference Voltage vs. Temperature

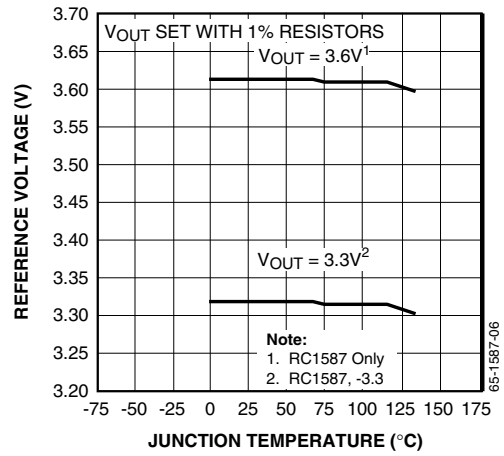


Figure 4. Output Voltage vs. Temperature

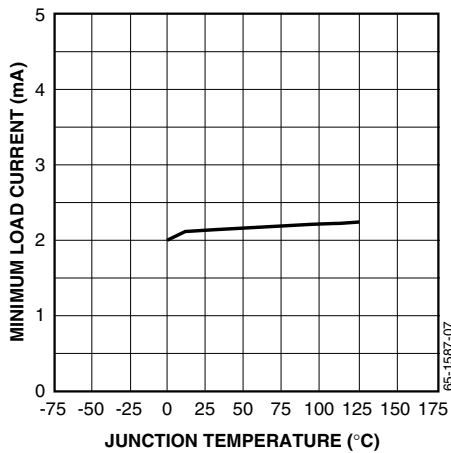


Figure 5. Minimum Load Current vs. Temperature

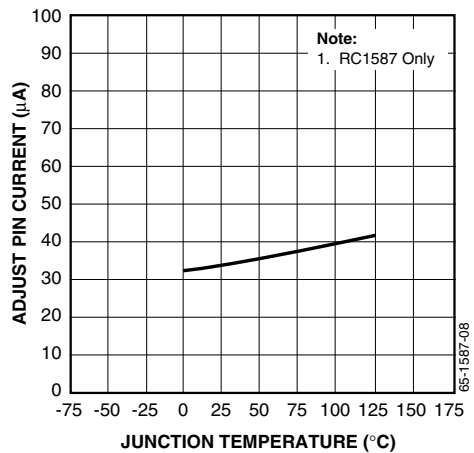


Figure 6. Adjust Pin Current vs. Temperature

Typical Performance Characteristics (continued)

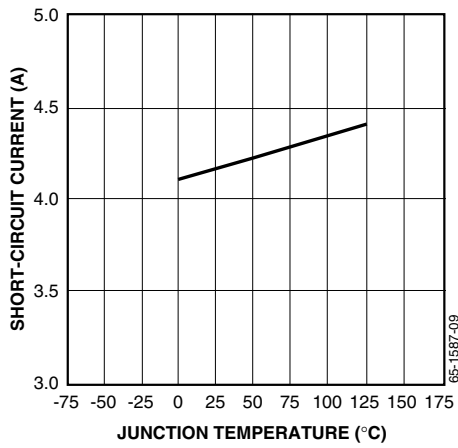


Figure 7. Short-Circuit Current vs. Temperature

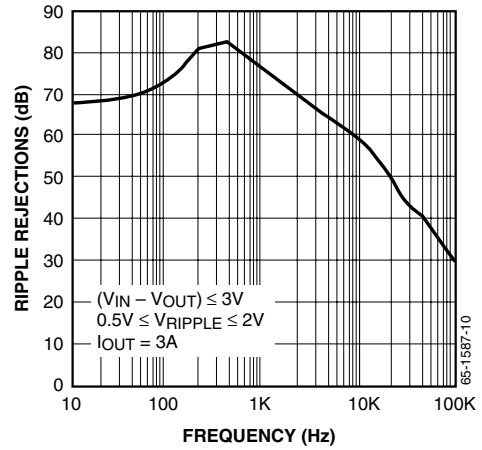


Figure 8. Ripple Rejection vs. Frequency

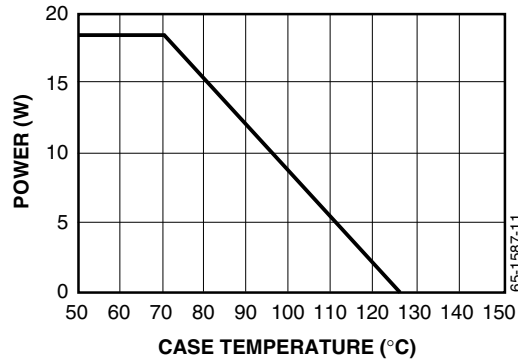


Figure 9. Maximum Power Dissipation

Applications Information

General

The RC1587, RC1587-1.5, and RC1587-3.3 are three-terminal regulators optimized for GTL+ VTT termination applications. These devices are short-circuit protected, and offer thermal shutdown to turn off the regulator when the junction temperature exceeds about 150°C. The RC1587 series provides low dropout voltage and fast transient response. Frequency compensation uses capacitors with low ESR while still maintaining stability. This is critical in addressing the needs of low voltage high speed microprocessor buses like GTL+.

Stability

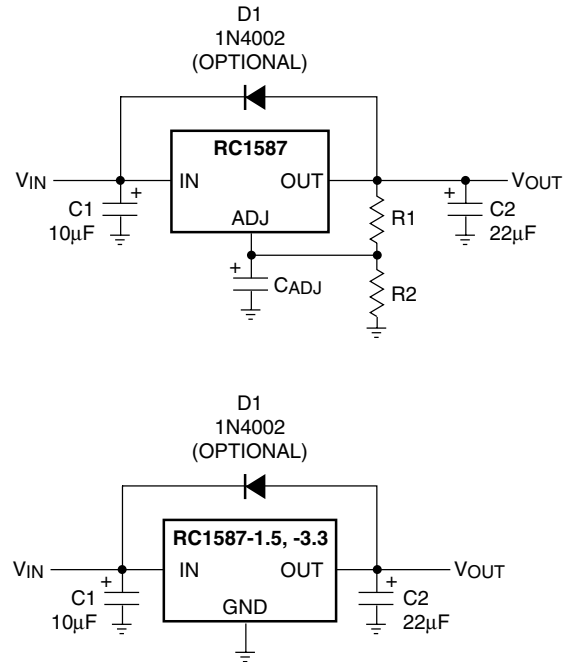
The RC1587 series require an output capacitor as a part of the frequency compensation. It is recommended to use a 22µF solid tantalum or a 100µF aluminum electrolytic on the output to ensure stability. The frequency compensation of these devices optimizes the frequency response with low ESR capacitors. In general, it is suggested to use capacitors with an ESR of <300mΩ. It is also recommended to use bypass capacitors such as a 22µF tantalum or a 100µF aluminum on the adjust pin of the RC1587 for low ripple and fast transient response. When these bypassing capacitors are not used at the adjust pin, larger values of output capacitors provide equally good results.

Protection Diodes

In normal operation, the RC1587 series does not require any protection diodes. For the RC1587, internal resistors limit internal current paths on the adjust pin. Therefore, even with bypass capacitors on the adjust pin, no protection diode is needed to ensure device safety under shortcircuit conditions.

A protection diode between the input and output pins is usually not needed. An internal diode between the input and output pins on the RC1587 series can handle microsecond surge currents of 50A to 100A. Even with large value output capacitors it is difficult to obtain those values of surge currents in normal operation. Only with large values of output capacitance, such as 1000µF to 5000µF, and with the input pin instantaneously shorted to ground can damage occur. A crowbar circuit at the input can generate those levels of current; a diode from output to input is then recommended, as shown in Figure 10. Usually, normal power supply cycling or system “hot plugging and unplugging” will not generate current large enough to do any damage.

The adjust pin can be driven on a transient basis ±7V with respect to the output, without any device degradation. As with any IC regulator, exceeding the maximum input-to-output voltage differential causes the internal transistors to break down and none of the protection circuitry is then functional.



65-1587-13

Figure 10. Optional Protection

Ripple Rejection

In applications that require improved ripple rejection, a bypass capacitor from the adjust pin of the RC1587 to ground reduces the output ripple by the ratio of $V_{OUT}/1.25V$. The impedance of the adjust pin capacitor at the ripple frequency should be less than the value of R1 (typically in the range of 100Ω to 120Ω) in the feedback divider network in Figure 10. Therefore, the value of the required adjust pin capacitor is a function of the input ripple frequency. For example, if R1 equals 100Ω and the ripple frequency equals 120Hz, the adjust pin capacitor should be 22µF. At 10kHz, only 0.22µF is needed.

Output Voltage

The RC1587 regulator develops a 1.25V reference voltage between the output pin and the adjust pin (see Figure 11). Placing a resistor R1 between these two terminals causes a constant current to flow through R1 and down through R2 to set the overall output voltage. Normally, this current is the specified minimum load current of 10mA.

The current out of the adjust pin adds to the current from R1 and is typically 35µA. Its output voltage contribution is small and only needs consideration when very precise output voltage setting is required.

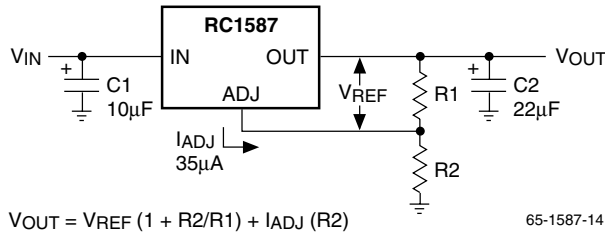


Figure 11. Basic Regulator Circuit

Load Regulation

It is not possible to provide true remote load sensing because the RC1587 series are three-terminal devices. Load regulation is limited by the resistance of the wire connecting the regulators to the load. Load regulation per the data sheet specification is measured at the bottom of the package.

For fixed voltage devices, negative side sensing is a true Kelvin connection with the ground pin of the device returned to the negative side of the load. This is illustrated in Figure 12.

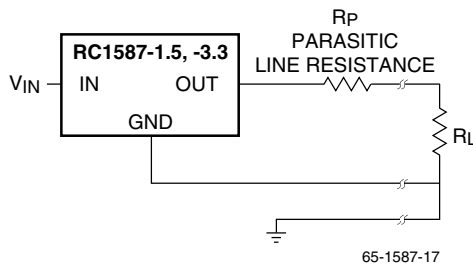


Figure 12. Connection for Best Load Regulation

For adjustable voltage devices, negative side sensing is a true Kelvin connection with the bottom of the output divider returned to the negative side of the load. The best load regulation is obtained when the top of resistor divider R1 connects directly to the regulator output and not to the load. Figure 13 illustrates this point.

If R1 connects to the load, then the effective resistance between the regulator and the load would be:

$$R_p \times (1 + R_2/R_1), R_p = \text{Parasitic Line Resistance}$$

The connection shown in Figure 13 does not multiply R_p by the divider ratio. As an example, R_p is about four milliohms per foot with 16-gauge wire. This translates to 4mV per foot at 1A load current. At higher load currents, this drop represents a significant percentage of the overall regulation. It is important to keep the positive lead between the regulator and the load as short as possible and to use large wire or PC board traces.

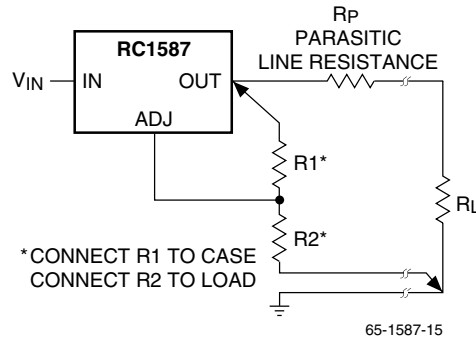


Figure 13. Connection for Best Load Regulation

Thermal Considerations

The RC1587 series protect themselves under overload conditions with internal power and thermal limiting circuitry. However, for normal continuous load conditions, do not exceed maximum junction temperature ratings. It is important to consider all sources of thermal resistance from junction-to-ambient. These sources include the junction-to-case resistance, the case-to-heat sink interface resistance, and the heat sink resistance. Thermal resistance specifications have been developed to more accurately reflect device temperature and ensure safe operating temperatures.

For example, look at using an RC1587T to generate 3A @ 1.5V ± 2% from a 3.3V source (3.2V to 3.6V).

Assumptions:

- $V_{IN} = 3.6V$ worst case
- $V_{OUT} = 1.46V$ worst case
- $I_{OUT} = 3A$ continuous
- $T_A = 70^\circ C$
- $\theta_{\text{Case-to-Ambient}} = 3^\circ C/W$ (assuming both a heatsink and a thermally conductive material)

The power dissipation in this application is:

$$P_D = (V_{IN} - V_{OUT}) * (I_{OUT}) = (3.6 - 1.46) * (3) = 6.42W$$

From the specification table:

$$T_J = T_A + (P_D) * (\theta_{\text{Case-to-Ambient}} + \theta_{JC}) = 70 + (6.42) * (3 + 3) = 109^\circ C$$

The junction temperature is below the maximum rating.

Junction-to-case thermal resistance is specified from the IC junction to the bottom of the case directly below the die. This is the lowest resistance path for heat flow. Proper mounting ensures the best thermal flow from this area of the package to the heat sink. Use of a thermally conductive material at the

case-to-heat sink interface is recommended. Use a thermally conductive spacer if the case of the device must be electrically isolated and include its contribution to the total thermal resistance. The cases of the RC1587 series are directly connected to the output of the device.

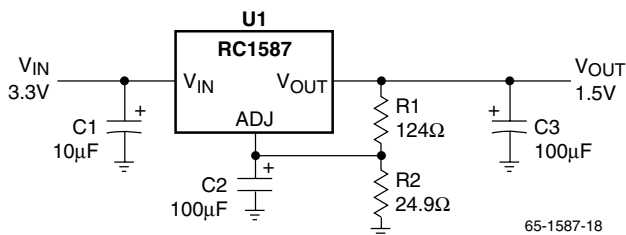


Figure 14. Application Circuit (RC1587)

Table 1. Bill of Materials for Application Circuit for the RC1587

| Item | Quantity | Manufacturer | Part Number | Description |
|--------|----------|--------------|-------------|---------------------|
| C1 | 1 | Xicon | L10V10 | 10μF, 10V Aluminum |
| C2, C3 | 2 | Xicon | L10V100 | 100μF, 10V Aluminum |
| R1 | 1 | Generic | | 124Ω, 1% |
| R2 | 1 | Generic | | 24.9Ω, 1% |
| U1 | 1 | Fairchild | RC1587T | 3A Regulator |

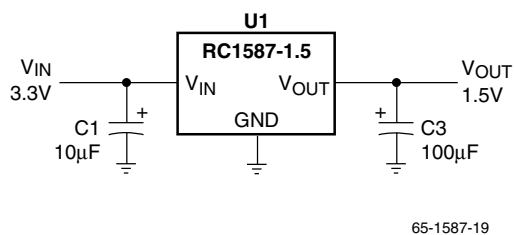


Figure 15. Application Circuit (RC1587-1.5)

Table 2. Bill of Materials for Application Circuit for the RC1587-1.5

| Item | Quantity | Manufacturer | Part Number | Description |
|------|----------|--------------|-------------|---------------------|
| C1 | 1 | Xicon | L10V10 | 10μF, 10V Aluminum |
| C3 | 1 | Xicon | L10V100 | 100μF, 10V Aluminum |
| U1 | 1 | Fairchild | RC1587T-1.5 | 3A Regulator |

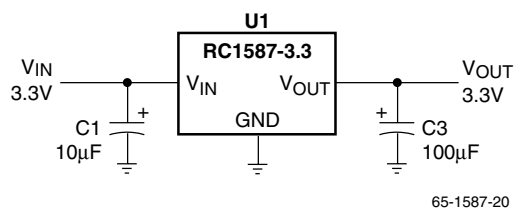


Figure 16. Application Circuit (RC1587-3.3)

Table 3. Bill of Materials for Application Circuit for the RC1587-1.5

| Item | Quantity | Manufacturer | Part Number | Description |
|------|----------|--------------|-------------|---------------------|
| C1 | 1 | Xicon | L10V10 | 10µF, 10V Aluminum |
| C3 | 1 | Xicon | L10V100 | 100µF, 10V Aluminum |
| U1 | 1 | Fairchild | RC1587T-3.3 | 3A Regulator |

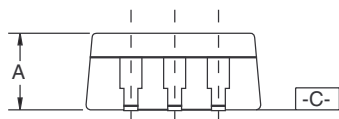
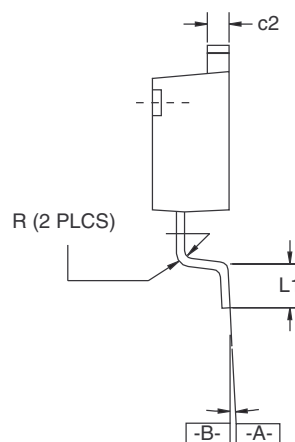
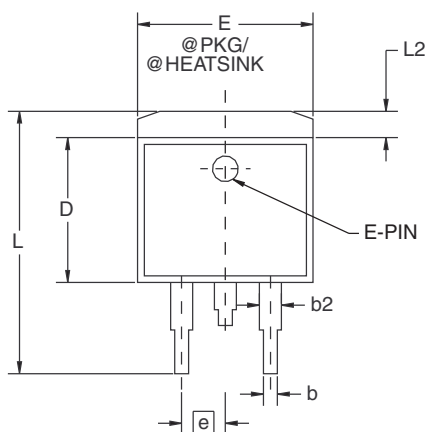
Mechanical Dimensions

3-Lead TO-263 Package

| Symbol | Inches | | Millimeters | | Notes |
|----------|----------|------|-------------|-------|-------|
| | Min. | Max. | Min. | Max. | |
| A | .160 | .190 | 4.06 | 4.83 | |
| b | .020 | .036 | 0.51 | 0.91 | |
| b2 | .049 | .051 | 1.25 | 1.30 | |
| c2 | .045 | .055 | 1.14 | 1.40 | |
| D | .340 | .380 | 8.64 | 9.65 | |
| E | .380 | .405 | 9.65 | 10.29 | |
| e | .100 BSC | | 2.54 BSC | | |
| L | .575 | .625 | 14.61 | 15.88 | |
| L1 | .090 | .110 | 2.29 | 2.79 | |
| L2 | — | .055 | — | 1.40 | |
| R | .017 | .019 | 0.43 | 0.78 | |
| α | 0° | 8° | 0° | 8° | |

Notes:

1. Dimensions are exclusive of mold flash and metal burrs.
2. Standoff-height is measured from lead tip with ref. to Datum -B-.
3. Foot length is measured with ref. to Datum -A- with lead surface (at inner R).
4. Dimension exclusive of dambar protrusion or intrusion.
5. Formed leads to be planar with respect to one another at seating place -C-.



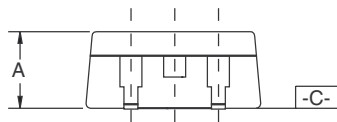
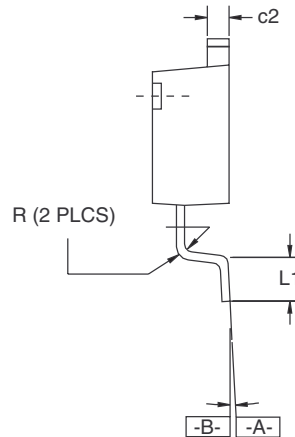
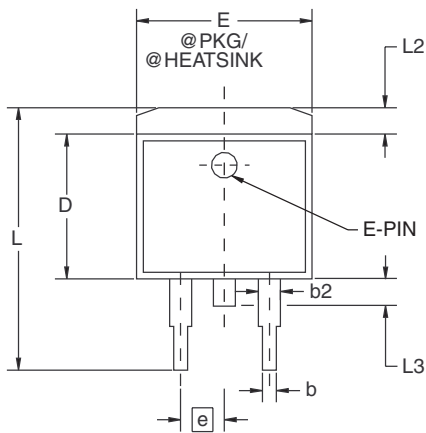
Mechanical Dimensions (continued)

3-Lead TO-263 Center Cut Package

| Symbol | Inches | | Millimeters | | Notes |
|----------|----------|------|-------------|-------|-------|
| | Min. | Max. | Min. | Max. | |
| A | .160 | .190 | 4.06 | 4.83 | |
| b | .020 | .036 | 0.51 | 0.91 | |
| b2 | .049 | .051 | 1.25 | 1.30 | |
| c2 | .045 | .055 | 1.14 | 1.40 | |
| D | .340 | .380 | 8.64 | 9.65 | |
| E | .380 | .405 | 9.65 | 10.29 | |
| e | .100 BSC | | 2.54 BSC | | |
| L | .575 | .625 | 14.61 | 15.88 | |
| L1 | .090 | .110 | 2.29 | 2.79 | |
| L2 | — | .055 | — | 1.40 | |
| L3 | .050 | .070 | 1.27 | 1.78 | |
| R | .017 | .019 | 0.43 | 0.78 | |
| α | 0° | 8° | 0° | 8° | |

Notes:

1. Dimensions are exclusive of mold flash and metal burrs.
2. Standoff-height is measured from lead tip with ref. to Datum -B-.
3. Foot length is measured with ref. to Datum -A- with lead surface (at inner R).
4. Dimension exclusive of dambar protrusion or intrusion.
5. Formed leads to be planar with respect to one another at seating place -C-.



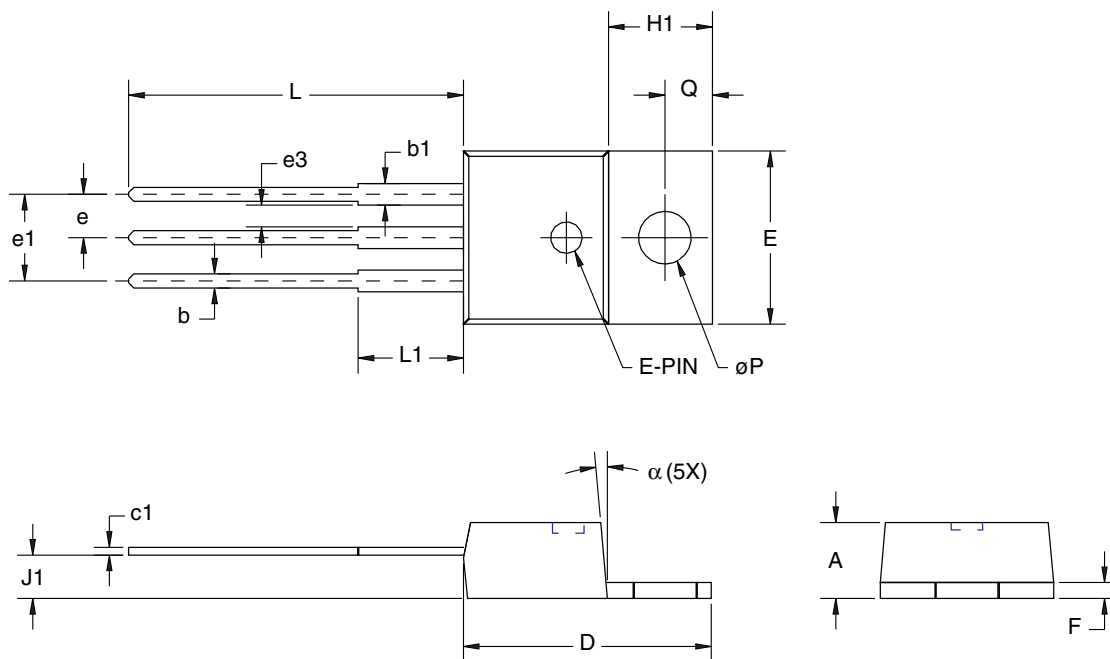
Mechanical Dimensions (continued)

3-Lead TO-220 Package

| Symbol | Inches | | Millimeters | | Notes |
|--------|----------|------|-------------|-------|-------|
| | Min. | Max. | Min. | Max. | |
| A | .140 | .190 | 3.56 | 4.83 | |
| b | .015 | .040 | .38 | 1.02 | |
| b1 | .045 | .070 | 1.14 | 1.78 | |
| c1 | .014 | .022 | .36 | .56 | |
| øP | .139 | .161 | 3.53 | 4.09 | |
| D | .560 | .650 | 14.22 | 16.51 | |
| E | .380 | .420 | 9.65 | 10.67 | |
| e | .090 | .110 | 2.29 | 2.79 | |
| e1 | .190 | .210 | 4.83 | 5.33 | |
| e3 | .045 | — | 1.14 | — | |
| F | .020 | .055 | .51 | 1.40 | |
| H1 | .230 | .270 | 5.94 | 6.87 | |
| J1 | .080 | .115 | 2.04 | 2.92 | |
| L | .500 | .580 | 12.70 | 14.73 | |
| L1 | .250 BSC | | 6.35 BSC | | |
| Q | .100 | .135 | 2.54 | 3.43 | |
| α | 3° | 7° | 3° | 7° | |

Notes:

1. Dimension c1 apply for lead finish.



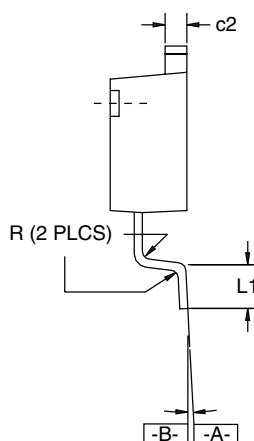
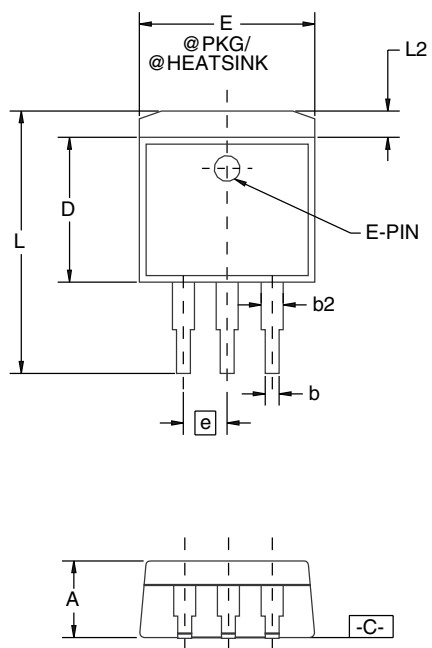
Mechanical Dimensions (continued)

3-Lead TO-252 Package

| Symbol | Inches | | Millimeters | | Notes |
|----------|----------|------|-------------|-------|-------|
| | Min. | Max. | Min. | Max. | |
| A | .086 | .094 | 2.19 | 2.38 | |
| b | .025 | .035 | 0.64 | 0.88 | |
| b2 | .030 | .045 | 0.76 | 1.17 | |
| c2 | .018 | .023 | 0.76 | 0.58 | |
| D | .210 | .231 | 5.33 | 5.88 | |
| E | .250 | .265 | 6.35 | 6.73 | |
| e | .090 BSC | | 2.285 BSC | | |
| L | .370 | .410 | 9.40 | 10.72 | |
| L1 | .020 | — | 0.51 | — | |
| L2 | .055 | .080 | 1.40 | 2.03 | |
| R | .018 | .023 | 0.46 | 0.58 | |
| α | 0° | 8° | 0° | 8° | |

Notes:

1. Dimensions are exclusive of mold flash and metal burrs.
2. Stand off-height is measured from lead tip with ref. to Datum -B-.
3. Foot length is measured with ref. to Datum -A- with lead surface (at inner R).
4. Dimension exclusive of dambar protrusion or intrusion.
5. Formed leads to be planar with respect to one another at seating place -C-.



Ordering Information

| Product Number | Package |
|----------------|-------------------|
| RC1587M | TO-263 |
| RC1587MC | TO-263 center cut |
| RC1587T | TO-220 |
| RC1587D | TO-252 |
| RC1587M-1.5 | TO-263 |
| RC1587MC-1.5 | TO-263 center cut |
| RC1587T-1.5 | TO-220 |
| RC1587D-1.5 | TO-252 |
| RC1587M-3.3 | TO-263 |
| RC1587MC-3.3 | TO-263 center cut |
| RC1587T-3.3 | TO-220 |
| RC1587D-3.3 | TO-252 |

LIFE SUPPORT POLICY

FAIRCHILD'S PRODUCTS ARE NOT AUTHORIZED FOR USE AS CRITICAL COMPONENTS IN LIFE SUPPORT DEVICES OR SYSTEMS WITHOUT THE EXPRESS WRITTEN APPROVAL OF THE PRESIDENT OF FAIRCHILD SEMICONDUCTOR CORPORATION. As used herein:

1. Life support devices or systems are devices or systems which, (a) are intended for surgical implant into the body, or (b) support or sustain life, and (c) whose failure to perform when properly used in accordance with instructions for use provided in the labeling, can be reasonably expected to result in a significant injury of the user.
2. A critical component in any component of a life support device or system whose failure to perform can be reasonably expected to cause the failure of the life support device or system, or to affect its safety or effectiveness.

Looking for pricing, stock, or lifecycle information?

Click below to explore more details on WIN SOURCE:

 [View RC1587M33T32 on WIN SOURCE](#)

 [Fairchild/ON Semiconductor](#) Information

Optimize Your Supply Chain with WIN SOURCE Solutions

-  Global Sourcing Solution
-  Obsolete Management
-  Cost Control Management
-  Shortage Management
-  Alternative Solution
-  Excess Inventory Management