



THE DATASHEET OF
5913001007F

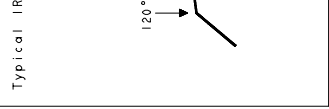
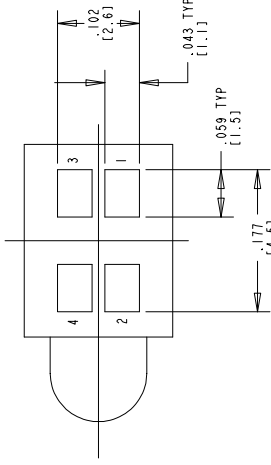
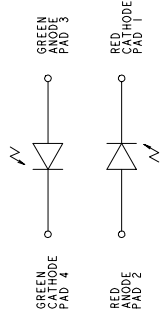


BI-COLOR LEDS

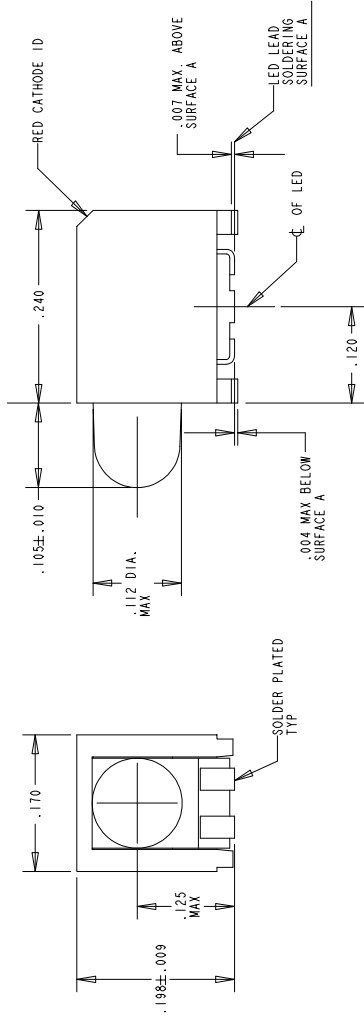
OPERATING CHARACTERISTICS AT $T_A = 25^\circ\text{C}$

ABSOLUTE MAXIMUM RATINGS @ 25 °C	
CONTINUOUS FORWARD CURRENT	30 mA
OPERATING TEMPERATURE	-55 TO +100 °C
STORAGE TEMPERATURE	-55 TO +100 °C
REFLOW TEMPERATURE: CONVECTION IR	235 °C PER LEAD
VAPOR PHASE	185 °C FOR 40 SEC.
	215 °C FOR 3 MIN.

SYMBOL	PARAMETER	COLOR	MIN	TYP	MAX	UNITS	TEST COND.
V_f	FORWARD VOLTAGE	RED	2.0	2.6	2.6	V	$I_f = 10\text{ mA}$
	DOMINANT WAVELENGTH	RED	628			nm	
	LUMINOUS INTENSITY	RED	6.5			mc-d	
I_v		GREEN	8.0				$I_f = 20\text{ mA}$



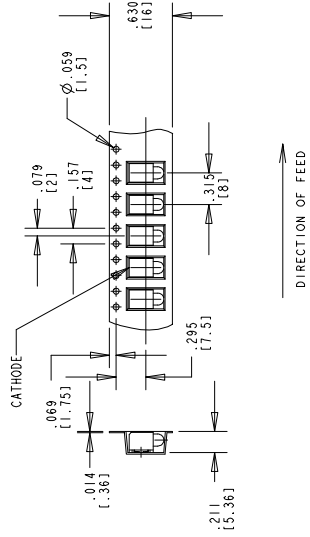
COMPONENT SIDE
RECOMMENDED PC BOARD LAND PATTERN
(DIM'S ±.004)
0.1MM



NOTES:

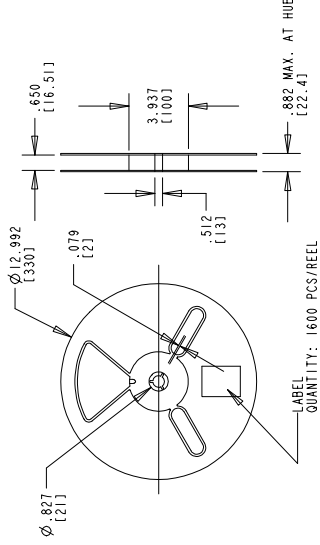
1. MILLIMETER DIMENSIONS SHOWN FOR REFERENCE ONLY.
2. PAD NUMBERS FOR REFERENCE ONLY. DESIGNATION NON-RE-TA.
3. STORAGE CONDITIONS FOR TAPED PRODUCT: RE-TA PRODUCT STORED MORE THAN TWELVE MONTHS.
4. ORDER QUANTITY IS LED ASSEMBLIES, NOT REELS.
5. -001 SUFFIX MEANS PARTS ARE PACKED IN A BAG. (IC)
6. -002 SUFFIX MEANS PARTS ARE PACKED ON A 20-PC TAPE.
7. -007 SUFFIX MEANS PARTS ARE PACKED ON A 7-PC TAPE.
8. -013 SUFFIX MEANS PARTS ARE PACKED ON A 13-PC TAPE.
9. LENS MOVEMENT IN RELATIONSHIP TO THE HOUSING: .009" T-I-R, VERTICALLY; .007" T-I-R, HORIZONTALLY.
10. FRONT AND REAR TERMINALS OF ASSEMBLY TO BE IDENTIFIED BY COLOR.
11. DIALIGHT PART NUMBER: 591-3001-001, 591-3001-002, 591-3001-007, 591-3001-008.
12. DEVICE HAS A MOISTURE SENSITIVITY LEVEL "2".
13. APPLIED AS PER JEDEC STD. 033

TAPING SPECIFICATION



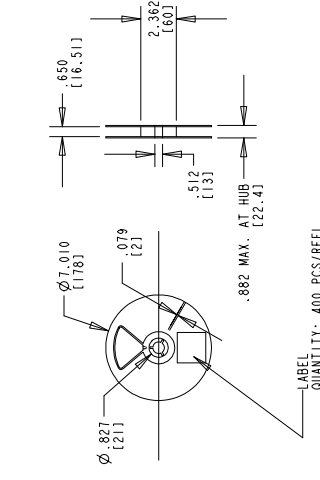
TOLERANCE: .004 UNLESS OTHERWISE SPECIFIED.
MILLIMETER DIMENSIONS SHOWN FOR REFERENCE ONLY.

REEL SPECIFICATION



LABEL QUANTITY: 1600 PCS/REEL

13 INCH DIA. REEL SPECIFICATIONS



LABEL QUANTITY: 400 PCS/REEL

7 INCH DIA. REEL SPECIFICATIONS

Looking for pricing, stock, or lifecycle information?

Click below to explore more details on WIN SOURCE:

 [View 5913001007F on WIN SOURCE](#)

 [Dialight Information](#)

Optimize Your Supply Chain with WIN SOURCE Solutions

-  Global Sourcing Solution
-  Obsolete Management
-  Cost Control Management
-  Shortage Management
-  Alternative Solution
-  Excess Inventory Management