



**THE DATASHEET OF
RT9173APM5**



Peak 3A Bus Termination Regulator

General Description

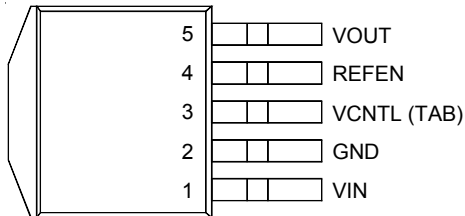
The RT9173/A regulator is designed to convert voltage supplies ranging from 1.6V to 6V into a desired output voltage which adjusted by two external voltage divider resistors. The regulator is capable of sourcing or sinking up to 3A of peak current while regulating an output voltage to within 2% (DDR 1) and 3% (DDR 2) or less.

The RT9173/A, used in conjunction with series termination resistors, provides an excellent voltage source for active termination schemes of high speed transmission lines as those seen in high speed memory buses and distributed backplane designs. The voltage output of the regulator can be used as a termination voltage for DDR SDRAM.

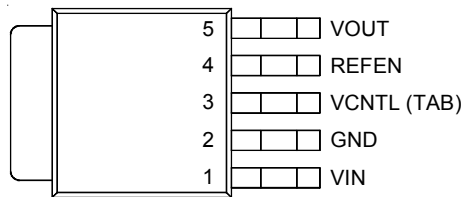
Current limits in both sourcing and sinking mode, plus on-chip thermal shutdown make the circuit tolerant of the output fault conditions.

Pin Configuration

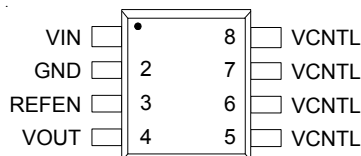
(TOP VIEW)



TO-263-5 (RT9173A)



TO-252-5 (RT9173A)



SOP-8 (RT9173)

Features

- Support Both DDR 1 (1.25V_{TT}) and DDR 2 (0.9V_{TT}) Requirements
- SOP-8, TO-252-5 and TO-263-5 Packages
- Capable of Sourcing and Sinking 3A Peak Current
- Current-limiting Protection
- Thermal Protection
- Integrated Power MOSFETs
- Generates Termination Voltages for SSTL-2
- High Accuracy Output Voltage at Full-Load
- Adjustable V_{OUT} by External Resistors
- Minimum External Components
- Shutdown for Standby or Suspend Mode Operation with High-impedance Output
- RoHS Compliant and 100% Lead (Pb)-Free

Applications

- DDR Memory Termination
- Active Termination Buses
- Supply Splitter

Marking Information

For marking information, contact our sales representative directly or through a Richtek distributor located in your area.

Ordering Information

Part No	Status	Sink & Source (A)	Package	Lead Plating System
RT9173PM5	EOL	1.5	TO-263-5	P : Pb Free
RT9173PL5	EOL	1.5	TO-252-5	P : Pb Free
RT9173PS	Active	1.5	SOP-8	P : Pb Free
RT9173GM5	EOL	1.5	TO-263-5	G : Green (Halogen Free and Pb Free)
RT9173GL5	EOL	1.5	TO-252-5	G : Green (Halogen Free and Pb Free)
RT9173GS	Active	1.5	SOP-8	G : Green (Halogen Free and Pb Free)
RT9173APM5	EOL	3	TO-263-5	P : Pb Free
RT9173APL5	EOL	3	TO-252-5	P : Pb Free
RT9173APS	EOL	3	SOP-8	P : Pb Free
RT9173AGM5	EOL	3	TO-263-5	G : Green (Halogen Free and Pb Free)
RT9173AGL5	EOL	3	TO-252-5	G : Green (Halogen Free and Pb Free)
RT9173AGS	EOL	3	SOP-8	G : Green (Halogen Free and Pb Free)

The part status values are defined as below :

Active : Device is in production and is recommended for new designs.

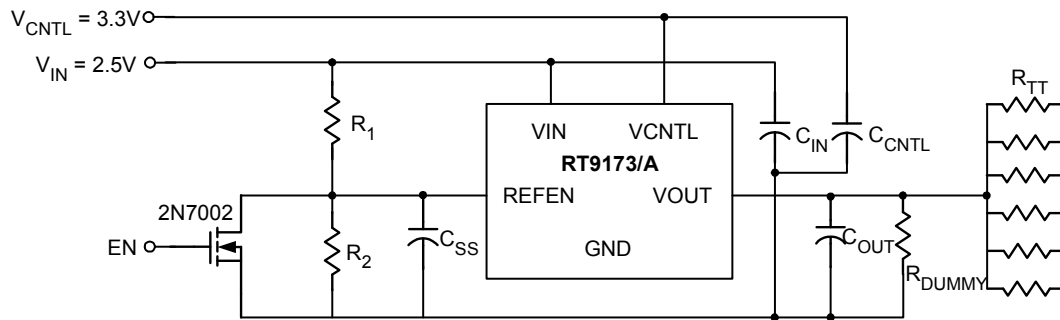
Lifebuy : The device will be discontinued, and a lifetimebuy period is in effect.

NRND : Not recommended for new designs.

Preview : Device has been announced but is not in production.

EOL: Richtek has discontinued the production of the device.

Typical Application Circuit



$R_1 = R_2 = 100\text{k}\Omega$, $R_{TT} = 50\Omega / 33\Omega / 25\Omega$

$C_{OUT(MIN)} = 10\mu\text{F}$ (Ceramic) + $1000\mu\text{F}$ under the worst case testing condition

$R_{DUMMY} = 1\text{k}\Omega$ as for VOUT discharge when VIN is not present but VCNTL is present

$C_{SS} = 1\mu\text{F}$, $C_{IN} = 470\mu\text{F}$ (Low ESR), $C_{CNTL} = 47\mu\text{F}$

Test Circuit

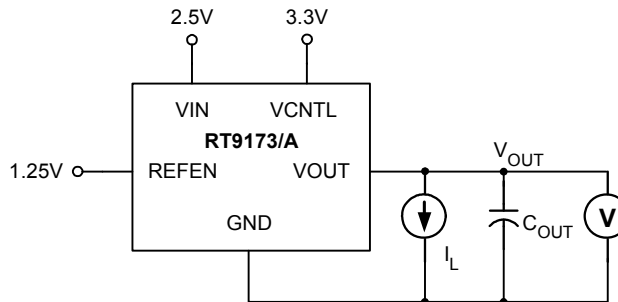


Figure 1. Output Voltage Tolerance, ΔV_{LOAD}

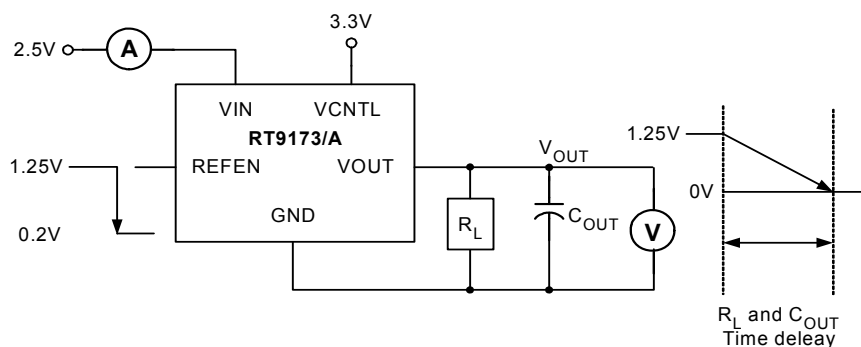


Figure 2. Current in Shutdown Mode, I_{SHDN}

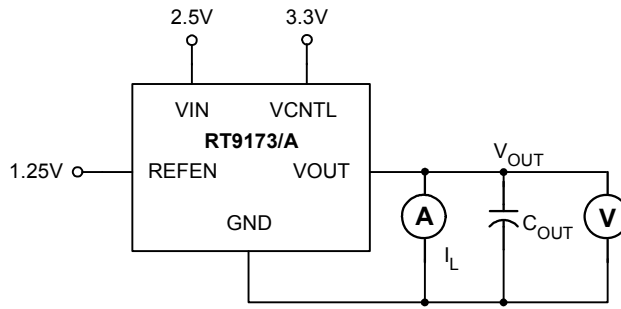


Figure 3. Current Limit for High Side, I_{LIMIT}

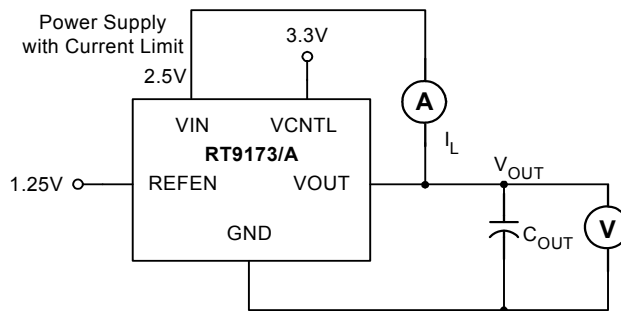


Figure 4. Current Limit for Low Side, I_{LIMIT}

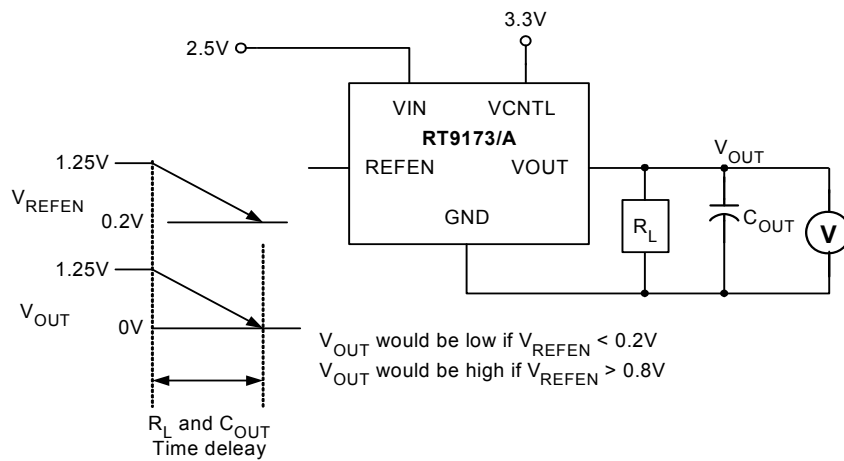
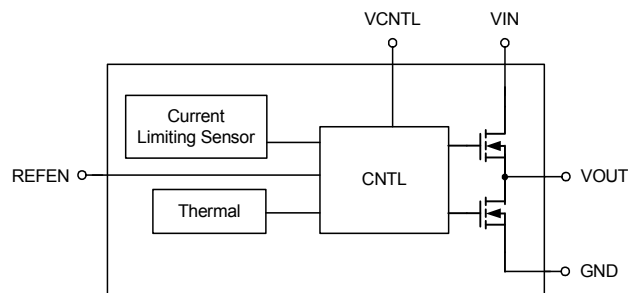


Figure 5. REFEN Pin Shutdown Threshold, $V_{TRIGGER}$

Functional Pin Description

Pin Name	Pin Function
VIN	Power input voltage.
GND	Ground.
VCNTL	Gate drive voltage.
REFEN	Reference voltage input and chip enable.
VOUT	Output voltage.

Functional Block Diagram



Absolute Maximum Ratings

- Input Voltage ----- 7V
- Power Dissipation ----- Internally Limited
- ESD Rating ----- 2kV
- Storage Temperature Range ----- -65°C to 150°C
- Lead Temperature (Soldering, 10 sec.) ----- 260°C
- Power Dissipation, P_D @ $T_A = 25^\circ\text{C}$
 - TO-263-5 ----- 1.923W
 - TO-252-5 ----- 1.471W
 - SOP-8 ----- 0.625W
- Package Thermal Resistance (Note 1)
 - TO-263-5, θ_{JC} ----- 7.7°C/W
 - TO-252-5, θ_{JC} ----- 8°C/W
 - SOP-8, θ_{JC} ----- 23.2°C/W
 - TO-263-5, θ_{JA} ----- 52°C/W
 - TO-252-5, θ_{JA} ----- 68°C/W
 - SOP-8, θ_{JA} ----- 160°C/W

Recommended Operating Conditions (Note 4)

- Input Voltage, V_{IN} ----- 2.5V to 1.5V \pm 3%
- Control Voltage, V_{CNTL} ----- 5V or 3.3V \pm 5%
- Junction Temperature Range ----- -40°C to 125°C
- Ambient Temperature Range ----- -40°C to 85°C

Electrical Characteristics

($V_{IN} = 2.5\text{V}$, $V_{CNTL} = 3.3\text{V}$, $V_{REFEN} = 1.25\text{V}$, $C_{OUT} = 10\mu\text{F}$ (Ceramic), $T_A = 25^\circ\text{C}$, unless otherwise specified.)

Parameter	Symbol	Test Conditions	Min	Typ	Max	Unit
Output Offset Voltage	V_{OS}	$I_{OUT} = 0\text{A}$, Figure 1 (Note 2)	-20	0	20	mV
Load Regulation (DDR 1/2)	ΔV_{LOAD}	$I_L : 0\text{A} \rightarrow 1.5\text{A}$, Figure 1	--	0.8/1.2	2/3	%
		$I_L : 0\text{A} \rightarrow -1.5\text{A}$	--	0.8/1.2	2/3	
Input Voltage Range (DDR 1/2) (Note 3)	V_{IN}	Keep $V_{CNTL} \geq V_{IN}$ on operation power on and power off sequences	1.6	2.5/1.8	--	V
	V_{CNTL}		--	3.3	6	
Operating Current of V_{CNTL}	I_{CNTL}	No Load	--	6.5	10	mA
Current In Shutdown Mode	I_{SHDN}	$V_{REFEN} < 0.2\text{V}$, $R_L = 180\Omega$, Figure 2	--	50	90	μA
Short Circuit Protection						
Current limit	I_{LIMIT}	Figure 3,4	3.0	--	--	A
Over Temperature Protection						
Thermal Shutdown Temperature	T_{SD}	$3.3\text{V} \leq V_{CNTL} \leq 5\text{V}$	125	150	--	$^\circ\text{C}$
Thermal Shutdown Hysteresis		Guaranteed by design	--	50	--	$^\circ\text{C}$
Shutdown Function						
Shutdown Threshold Trigger	$V_{TRIGGER}$	Output = High, Figure 5	0.8	--	--	V
	$V_{TRIGGER}$	Output = Low, Figure 5	--	--	0.2	

Note 1. θ_{JA} is measured in the natural convection at $T_A = 25^\circ\text{C}$ on a low effective thermal conductivity test board (single Layers, 1S) of JEDEC 51-3 thermal measurement standard. The case point of θ_{JC} is on the on the center of V_{CTRL} pins (Lead 6 & 7) for SOP-8 packages, the center of heat sink (tab) for TO-252-5 and TO-263-5 packages.

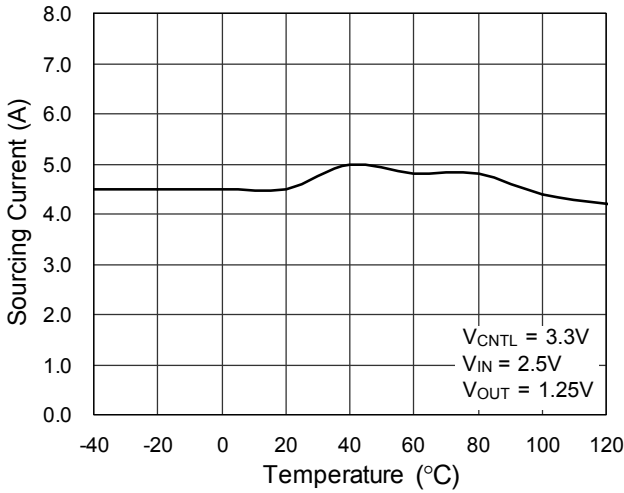
Note 2. V_{OS} offset is the voltage measurement defined as V_{OUT} subtracted from V_{REFEN} .

Note 3. For safely operate your system, the 3.3V rail **MUST** be tied to V_{CNTL} rather than 5V rail, especially for the new part of RT9173ACL5.

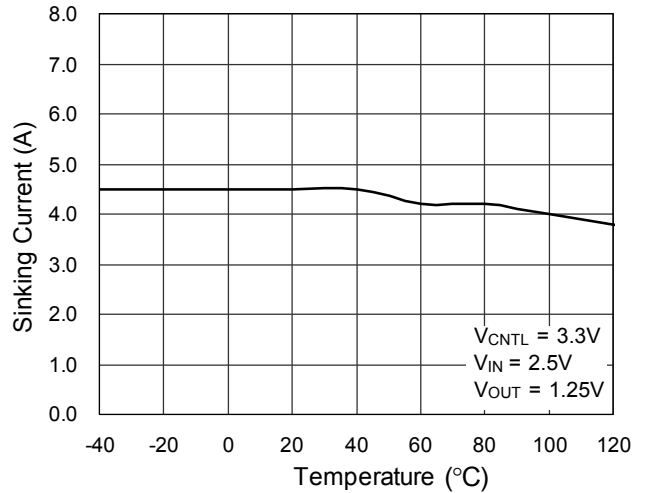
Note 4. The device is not guaranteed to function outside its operating conditions.

Typical Operating Characteristics

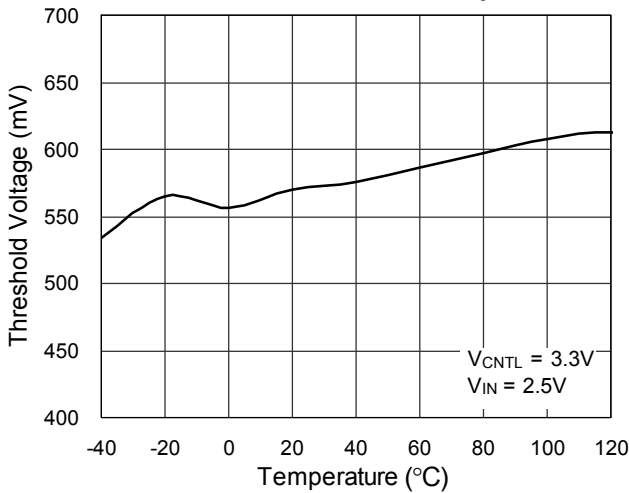
Sourcing Current (Peak) vs. Temperature



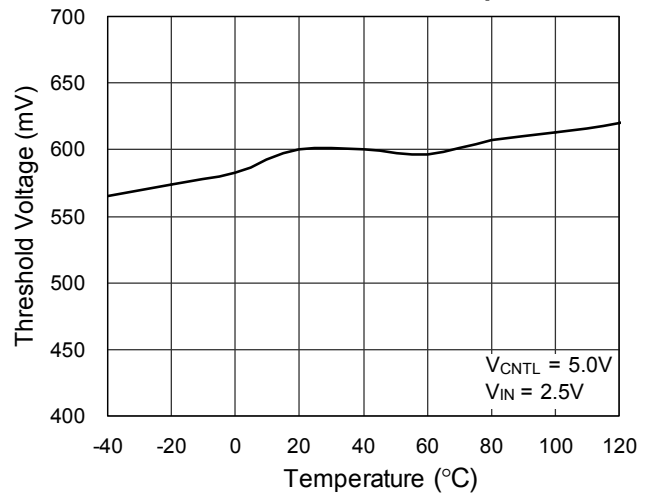
Sinking Current (Peak) vs. Temperature



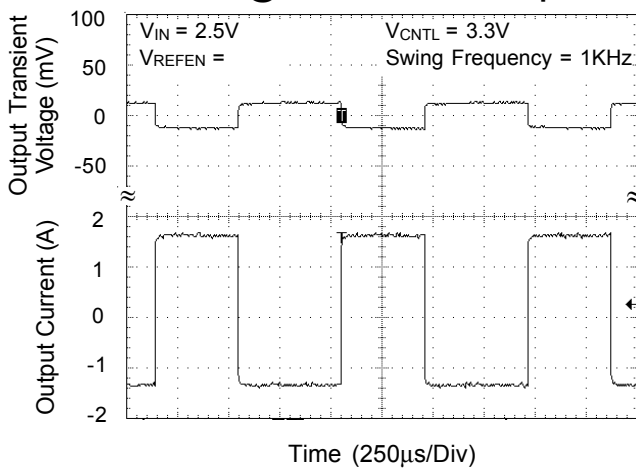
Turn-On Threshold vs. Temperature



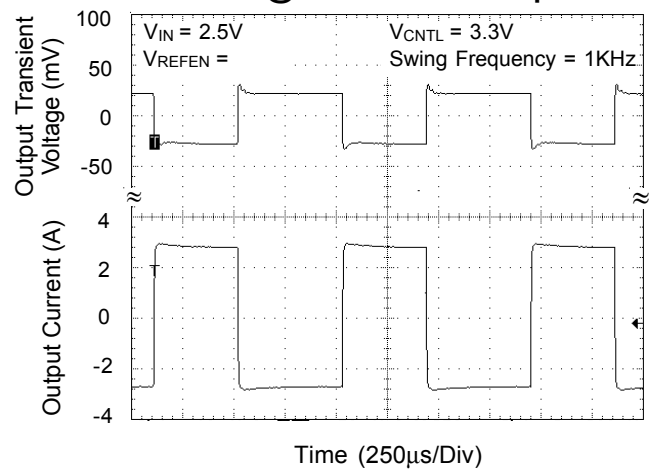
Turn-On Threshold vs. Temperature



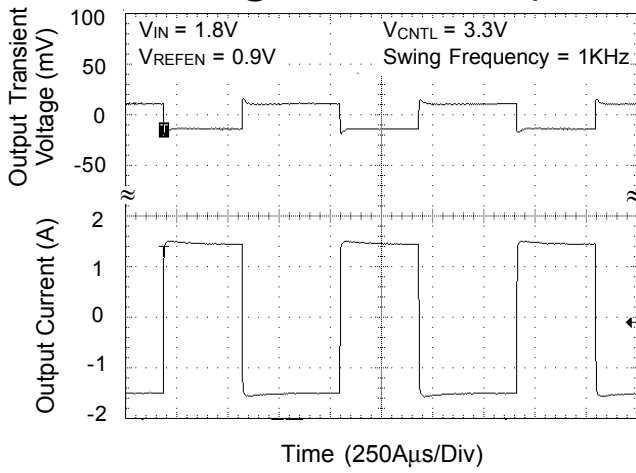
1.25V_{TT} @ 1.5A Transient Response



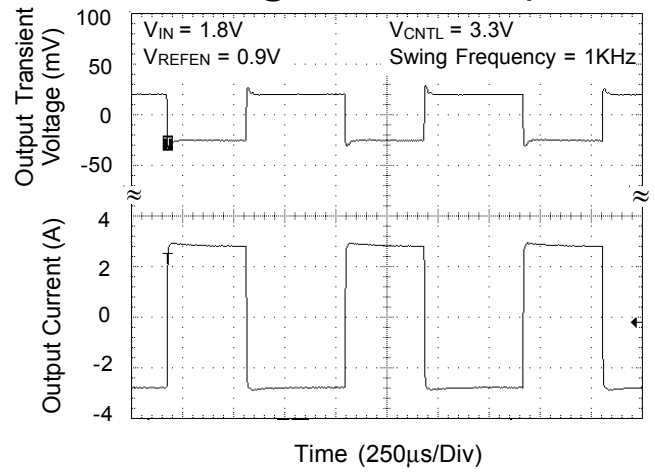
1.25V_{TT} @ 3A Transient Response



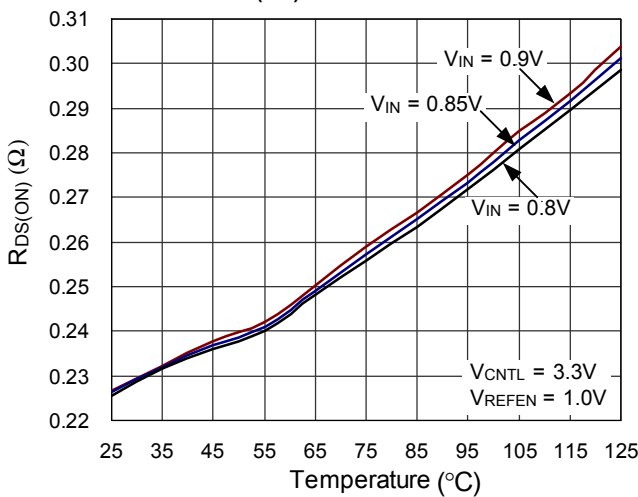
0.9V_{TT} @ 1.5A Transient Response



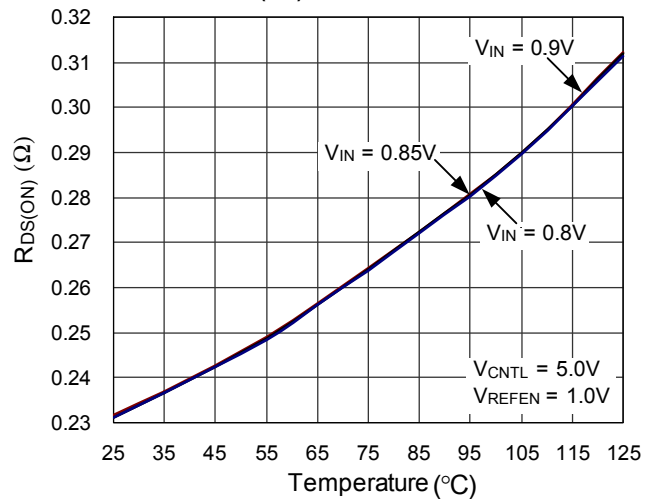
0.9V_{TT} @ 3A Transient Response



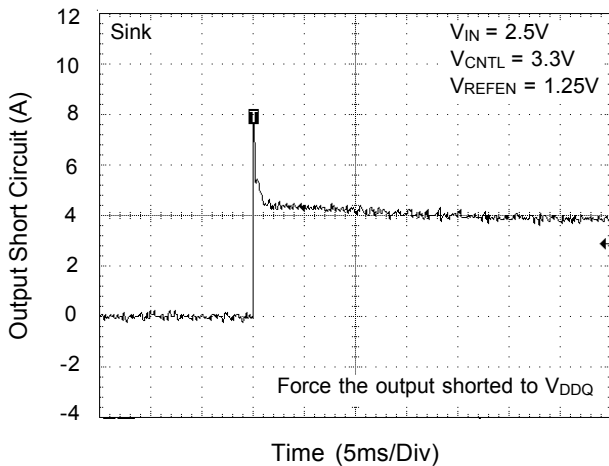
R_{DS(ON)} vs. Temperature



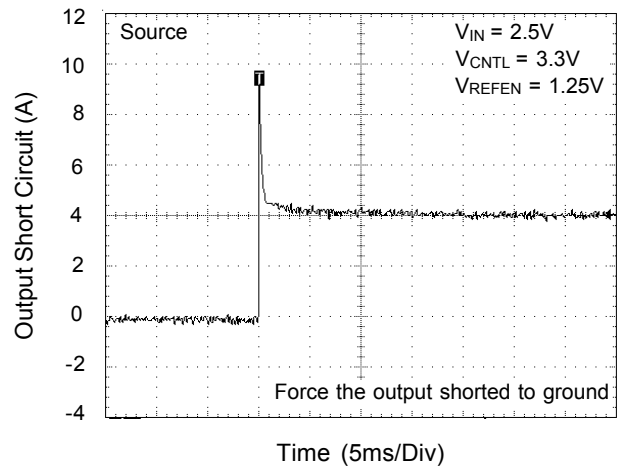
R_{DS(ON)} vs. Temperature



Output Short-Circuit Protection



Output Short-Circuit Protection



Application Information

Internal Parasitic Diode

Avoid forward-bias internal parasitic diode, V_{OUT} to V_{CNTL} , and V_{OUT} to V_{IN} , the V_{OUT} should not be forced some voltage respect to ground on this pin while the V_{CNTL} or V_{IN} is disappeared.

Consideration while Designs the Resistance of Voltage Divider

Make sure the sinking current capability of pull-down NMOS if the lower resistance was chosen so that the voltage on V_{REFEN} is below 0.2V.

In addition, the capacitor and voltage divider form the low-pass filter. There are two reasons doing this design; one is for output voltage soft-start while another is for noise immunity.

How to reduce power dissipation on Notebook PC or the dual channel DDR SDRAM application?

In notebook application, using RichTek's Patent "Distributed Bus Terminator Topology" with choosing RichTek's product is encouraged.

Thermal Consideration

RT9173/A regulators have internal thermal limiting circuitry designed to protect the device during overload conditions. For continued operation, do not exceed absolute maximum operation junction temperature 125°C. The power dissipation definition in device is :

$$P_D = (V_{IN} - V_{OUT}) \times I_{OUT} + V_{IN} \times I_Q$$

The maximum power dissipation depends on the thermal resistance of IC package, PCB layout, the rate of surroundings airflow and temperature difference between junction to ambient. The maximum power dissipation can be calculated by following formula :

$$P_{D(MAX)} = (T_{J(MAX)} - T_A) / \theta_{JA}$$

Where $T_{J(MAX)}$ is the maximum operation junction temperature 125°C, T_A is the ambient temperature and the θ_{JA} is the junction to ambient thermal resistance. The junction to ambient thermal resistance θ_{JA} highly depends on IC package, PCB layout, and the rate of surroundings airflow. θ_{JA} for SOP-8 package is 160°C/W and TO-263-5 package is 52°C/W on standard JEDEC 51-3 (**single layer, 1S**) thermal test board. The maximum power dissipation at $T_A = 25^\circ\text{C}$ can be calculated by following

formula :

$$P_{D(MAX)} = (125^\circ\text{C} - 25^\circ\text{C}) / (160^\circ\text{C/W}) = 0.625\text{W} \text{ (SOP-8 package)}$$

$$P_{D(MAX)} = (125^\circ\text{C} - 25^\circ\text{C}) / (52^\circ\text{C/W}) = 1.923\text{W} \text{ (TO-263-5 package)}$$

Since the multiple V_{CTRL} pins of the SOP-8 package are internally fused and connected to lead frame, it is efficient to dissipate the heat by adding cooper area on V_{CTRL} footprint. Figure 7 shows the package sectional drawing of SOP-8. Every package has several thermal dissipation paths, as show in Figure 8, the thermal resistance equivalent circuit of SOP-8. The path 2 is the main path of thermal flow due to these materials thermal conductivity. We define the center of multiple V_{CTRL} pins are the case point of the path 2.

Distributed Bus Terminating Topology

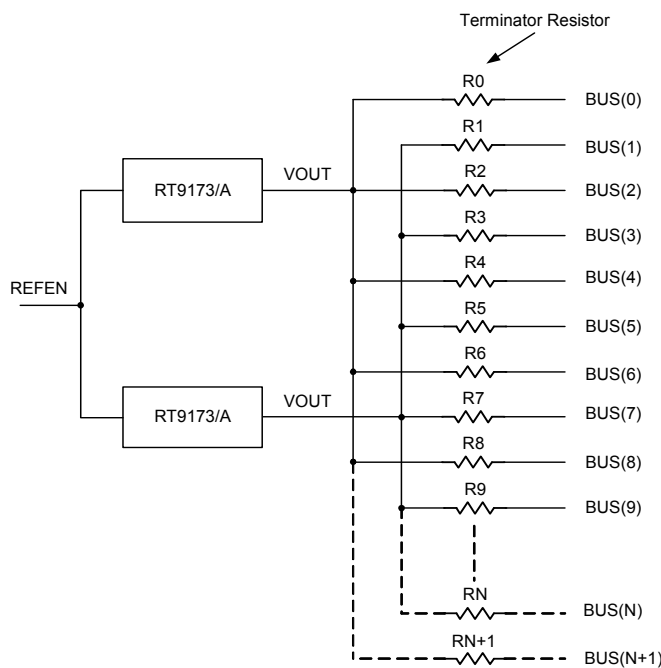


Figure 6

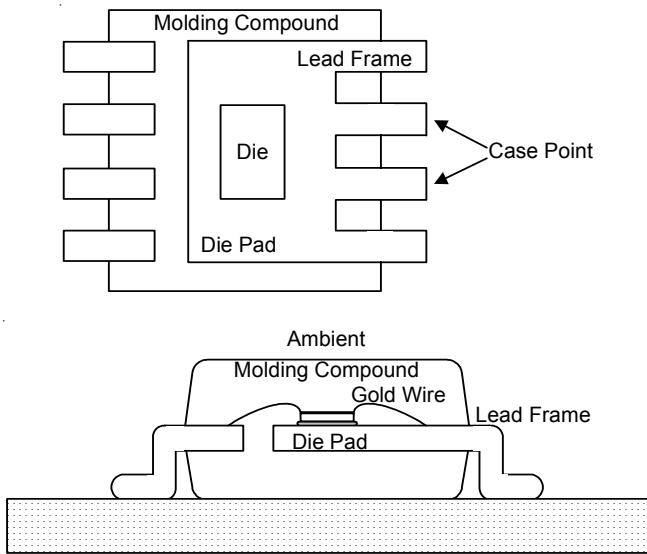


Figure 7. The Package Section Drawing of RT9173/A SOP-8 Package

The thermal resistance θ_{JA} of IC package is determined by the package design and the PCB design. However, the package design has been decided. If possible, it's useful to increase thermal performance by the PCB design. The thermal resistance can be decreased efficiently by adding copper under the main path of thermal flow on the package.

The maximum power dissipation depends on operating ambient temperature for fixed $T_{J(MAX)}$ and thermal resistance θ_{JA} . For RT9173/A package, the Figure 9 and the Figure 10 show the thermal resistance θ_{JA} vs. copper area of SOP-8 and TO-263-5 packages on single layer (1S) and 4-layer (2S2P) thermal test board at $T_A = 25^\circ\text{C}$, PCB copper thickness = 2oz.

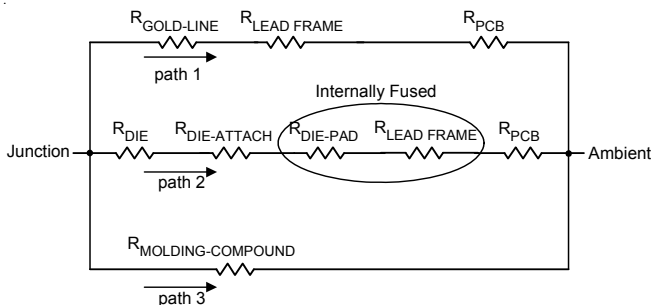


Figure 8. Thermal Resistance Equivalent Circuit of RT9173/A SOP-8 Package

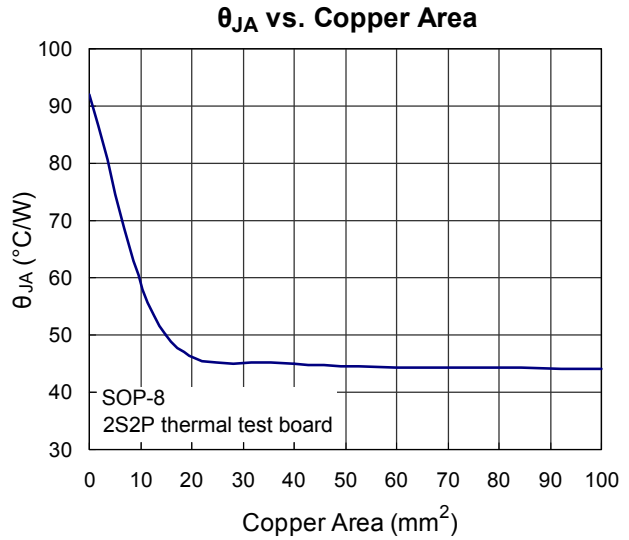


Figure 9. Thermal Resistance θ_{JA} vs. Copper Area of SOP-8 Packages

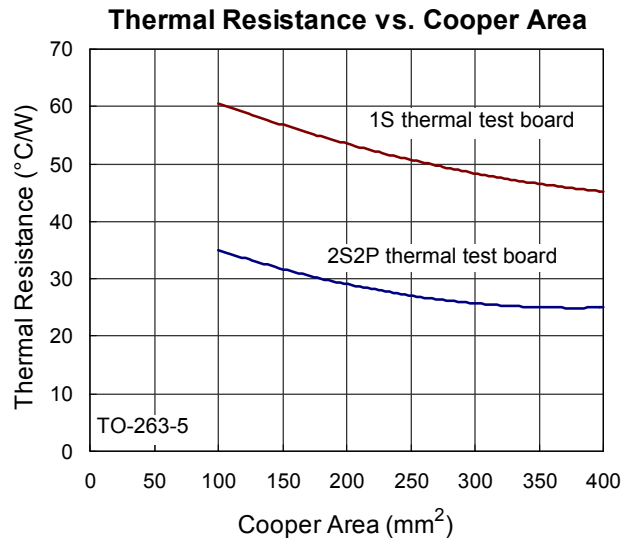


Figure 10. Thermal Resistance θ_{JA} vs. Copper Area of TO-263-5 Packages

For example, as shown in Figure 9, RT9173/A SOP-8 with 10mm x 10mm copper area on 4-layers (2S2P) thermal test board at $T_A = 25^\circ\text{C}$, we can obtain the lower thermal resistance about 45°C/W . The power maximum dissipation can be calculated as :

$$P_{D(MAX)} = (125^\circ\text{C} - 25^\circ\text{C}) / (45^\circ\text{C/W}) = 2.22\text{W (SOP-8)}$$

As shown in Figure 10, RT9173/A TO-263-5 with 15mm x 15mm copper area on 4-layers (2S2P) thermal test board at $T_A = 25^\circ\text{C}$, we can obtain the lower thermal resistance about 29°C/W . The power maximum dissipation

can be calculated as :

$$P_{D(MAX)} = (125^{\circ}\text{C} - 25^{\circ}\text{C}) / (29^{\circ}\text{C}/\text{W}) = 3.45\text{W (TO-263-5)}$$

Figure 11 and Figure 12 of power dissipation vs. copper area allow the designer to see the effect of rising ambient temperature on the maximum power allowed.

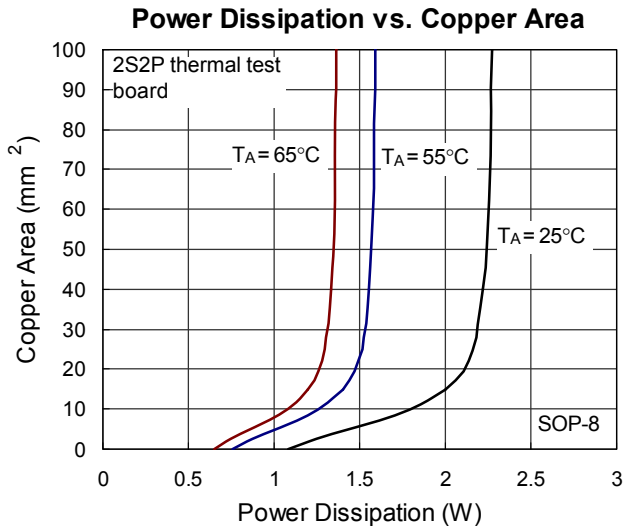


Figure 11. Power Dissipation vs. Copper Area of SOP-8 Package

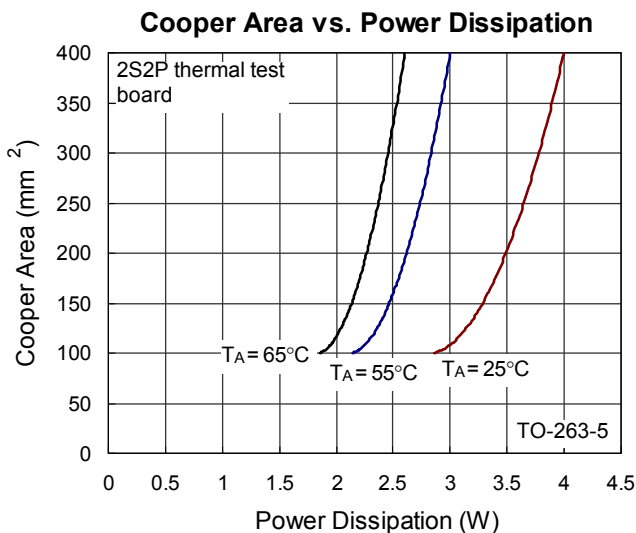
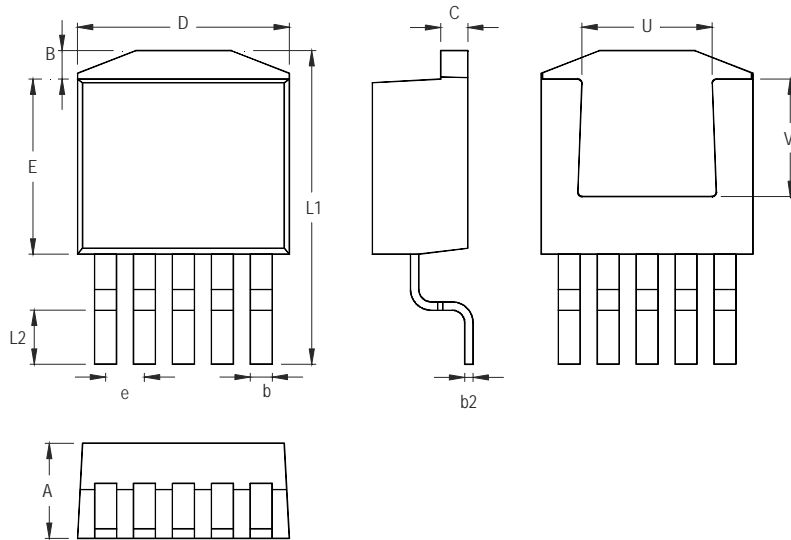


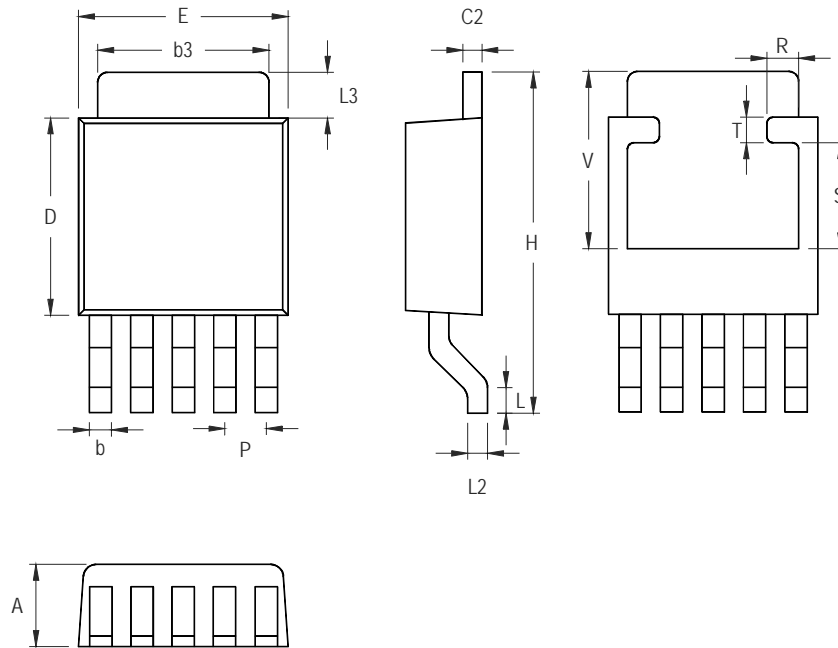
Figure 12. Power Dissipation vs. Copper Area of TO-263-5 Package

Outline Dimension



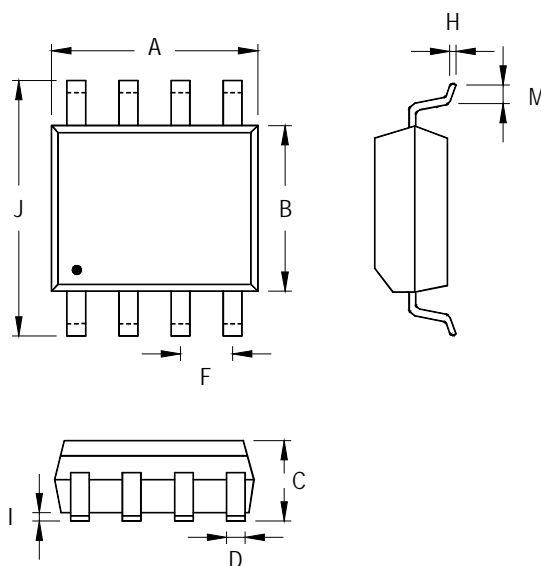
Symbol	Dimensions In Millimeters		Dimensions In Inches	
	Min	Max	Min	Max
D	9.652	10.668	0.380	0.420
B	1.143	1.676	0.045	0.066
E	8.128	9.652	0.320	0.380
A	4.064	4.826	0.160	0.190
C	1.143	1.397	0.045	0.055
U	6.223 Ref.		0.245 Ref.	
V	7.620 Ref.		0.300 Ref.	
L1	14.605	15.875	0.575	0.625
L2	2.286	2.794	0.090	0.110
b	0.660	0.914	0.026	0.036
b2	0.305	0.584	0.012	0.023
e	1.524	1.829	0.060	0.072

5-Lead TO-263 Plastic Surface Mount Package



Symbol	Dimensions In Millimeters		Dimensions In Inches	
	Min	Max	Min	Max
A	2.184	2.388	0.086	0.094
b	0.381	0.889	0.015	0.035
b3	4.953	5.461	0.195	0.215
C2	0.457	0.889	0.018	0.035
D	5.334	6.223	0.210	0.245
E	6.350	6.731	0.250	0.265
H	9.000	10.414	0.354	0.410
L	0.508	1.780	0.020	0.070
L2	0.508 Ref.		0.020 Ref.	
L3	0.889	2.032	0.035	0.080
P	1.270 Ref.		0.050 Ref.	
V	5.200 Ref.		0.205 Ref.	
R	0.200	1.500	0.008	0.059
S	2.500	3.400	0.098	0.134
T	0.500	0.850	0.020	0.033

5-Lead TO-252 Surface Mount Package



Symbol	Dimensions In Millimeters		Dimensions In Inches	
	Min	Max	Min	Max
A	4.801	5.004	0.189	0.197
B	3.810	3.988	0.150	0.157
C	1.346	1.753	0.053	0.069
D	0.330	0.508	0.013	0.020
F	1.194	1.346	0.047	0.053
H	0.170	0.254	0.007	0.010
I	0.050	0.254	0.002	0.010
J	5.791	6.200	0.228	0.244
M	0.400	1.270	0.016	0.050

8-Lead SOP Plastic Package

Richtek Technology Corporation

14F, No. 8, Tai Yuen 1st Street, Chupei City
 Hsinchu, Taiwan, R.O.C.
 Tel: (8863)5526789

Richtek products are sold by description only. Richtek reserves the right to change the circuitry and/or specifications without notice at any time. Customers should obtain the latest relevant information and data sheets before placing orders and should verify that such information is current and complete. Richtek cannot assume responsibility for use of any circuitry other than circuitry entirely embodied in a Richtek product. Information furnished by Richtek is believed to be accurate and reliable. However, no responsibility is assumed by Richtek or its subsidiaries for its use; nor for any infringements of patents or other rights of third parties which may result from its use. No license is granted by implication or otherwise under any patent or patent rights of Richtek or its subsidiaries.

Datasheet Revision History

Version	Date	Description	Item
25	2023/10/24	Modify	(EOL21015, EOL22012)

Looking for pricing, stock, or lifecycle information?

Click below to explore more details on WIN SOURCE:

- [⊖ View RT9173APM5 on WIN SOURCE](#)
- [⊖ Richtek USA Inc. Information](#)

Optimize Your Supply Chain with WIN SOURCE Solutions

- ✓ Global Sourcing Solution
- ✓ Obsolete Management
- ✓ Cost Control Management
- ✓ Shortage Management
- ✓ Alternative Solution
- ✓ Excess Inventory Management