



**THE DATASHEET OF
74ALS245ASJX**



DM74ALS245A Octal 3-STATE Bus Transceiver

General Description

This advanced low power Schottky device contains 8 pairs of 3-STATE logic elements configured as octal bus transceivers. These circuits are designed for use in memory, microprocessor systems and in asynchronous bidirectional data buses. Two way communication between buses is controlled by the (DIR) input. Data transmits either from the A bus to the B bus or from the B bus to the A bus. Both the driver and receiver outputs can be disabled via the (\bar{G}) enable input which causes outputs to enter the high impedance mode so that the buses are effectively isolated.

Features

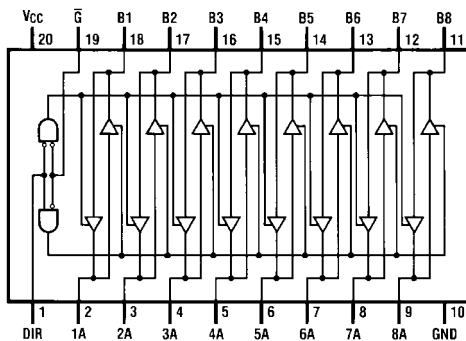
- Advanced oxide-isolated, ion-implanted Schottky TTL process
- Non-inverting logic output
- Glitch free bus during power up and down
- 3-STATE outputs independently controlled on A and B buses
- Low output impedance to drive terminated transmission lines to 133Ω
- Switching response specified into 500Ω/50 pF
- Specified to interface with CMOS at $V_{OH} = V_{CC} - 2V$
- PNP inputs to reduce input loading
- Switching specifications guaranteed over full temperature and V_{CC} range

Ordering Code:

Order Number	Package Number	Package Description
DM74ALS245AWM	M20B	20-Lead Small Outline Integrated Circuit (SOIC), JEDEC MS-013, 0.300 Wide
DM74ALS245ASJ	M20D	20-Lead Small Outline Package (SOP), EIAJ TYPE II, 5.3mm Wide
DM74ALS245AMSA	MSA20	20-Lead Shrink Small Outline Package (SSOP), EIAJ TYPE II, 5.3mm Wide
DM74ALS245AN	N20A	20-Lead Plastic Dual-In-Line Package (PDIP), JEDEC MS-001, 0.300 Wide

Devices also available in Tape and Reel. Specify by appending the suffix letter "X" to the ordering code.

Connection Diagram



Function Table

Control Inputs		Operation
\bar{G}	DIR	
L	L	B Data to A Bus
L	H	A Data to B Bus
H	X	Hi-Z

H = HIGH Logic Level
L = LOW Logic Level
X = Either HIGH or LOW Logic Level

Absolute Maximum Ratings(Note 1)

Supply Voltage	7V
Input Voltage	
Control Inputs	7V
I/O Ports	5.5V
Operating Free Air Temperature Range	0°C to +70°C
Storage Temperature Range	-65°C to +150°C
Typical θ_{JA}	
N Package	53.0°C/W
M Package	72.0°C/W

Note 1: The "Absolute Maximum Ratings" are those values beyond which the safety of the device cannot be guaranteed. The device should not be operated at these limits. The parametric values defined in the Electrical Characteristics tables are not guaranteed at the absolute maximum ratings. The "Recommended Operating Conditions" table will define the conditions for actual device operation.

Recommended Operating Conditions

Symbol	Parameter	Min	Typ	Max	Units
V_{CC}	Supply Voltage	4.5	5	5.5	V
V_{IH}	HIGH Level Input Voltage	2			V
V_{IL}	LOW Level Input Voltage			0.8	V
I_{OH}	HIGH Level Output Current			-15	mA
I_{OL}	LOW Level Output Current			24	mA
T_A	Operating Free Air Temperature	0		70	°C

Electrical Characteristics

over recommended operating free air temperature range. All typical values are measured at $V_{CC} = 5V$, $T_A = 25^\circ C$.

Symbol	Parameter	Conditions	Min	Typ	Max	Units	
V_{IK}	Input Clamp Voltage	$V_{CC} = 4.5V$, $I_{IN} = -18 mA$			-1.5	V	
V_{OH}	HIGH Level Output Voltage	$V_{CC} = 4.5V$, $I_{OH} = -3 mA$	2.4	3.2		V	
		$V_{CC} = 4.5V$, $I_{OH} = Max$	2	2.3		V	
		$I_{OH} = -0.4 mA$, $V_{CC} = 4.5V$ to $5.5V$	$V_{CC} - 2$			V	
V_{OL}	LOW Level Output Voltage	$V_{CC} = 4.5V$, $I_{OL} = 24 mA$		0.35	0.5	V	
I_I	Input Current at Maximum Input Voltage	$V_{CC} = 5.5V$, $V_{IN} = 7V$ Control Inputs			0.1	mA	
		$V_{CC} = 5.5V$, $V_{IN} = 5.5V$ A or B Ports			0.1		
I_{IH}	HIGH Level Input Current	$V_{CC} = 5.5V$, $V_{IN} = 2.7V$			20	μA	
I_{IL}	LOW Level Input Current	$V_{CC} = 5.5V$, $V_{IN} = 0.4V$			-0.1	mA	
I_O	Output Drive Current	$V_{CC} = 5.5V$, $V_{OUT} = 2.25V$	-30		-112	mA	
I_{CC}	Supply Current	$V_{CC} = 5.5V$	Outputs HIGH		30	45	mA
			Outputs LOW		36	55	mA
			3-STATE		38	58	mA

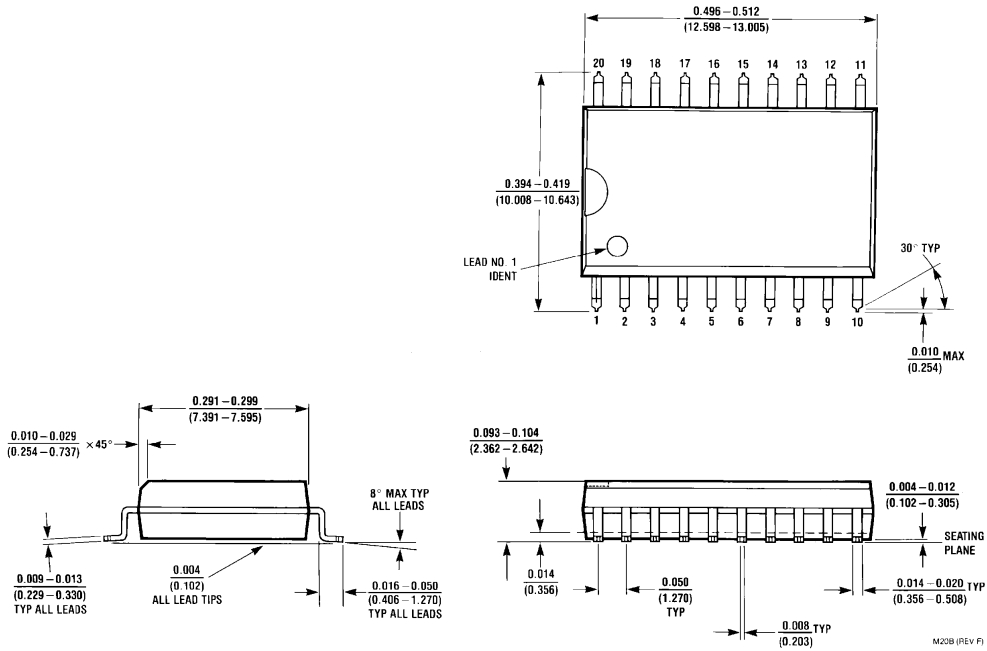
Switching Characteristics (Note 2)

over recommended operating free air temperature range

Symbol	Parameter	Circuit Configuration	Min	Max	Units
t_{PLH}	Propagation Delay Time LOW-to-HIGH Level Output		3	10	ns
t_{PHL}	Propagation Delay Time HIGH-to-LOW Level Output		3	10	ns
t_{PZL}	Output Enable Time to LOW Level		5	20	ns
t_{PZH}	Output Enable Time to HIGH Level		5	20	ns
t_{PLZ}	Output Disable Time from LOW Level		4	15	ns
t_{PHZ}	Output Disable Time from HIGH Level		2	10	ns

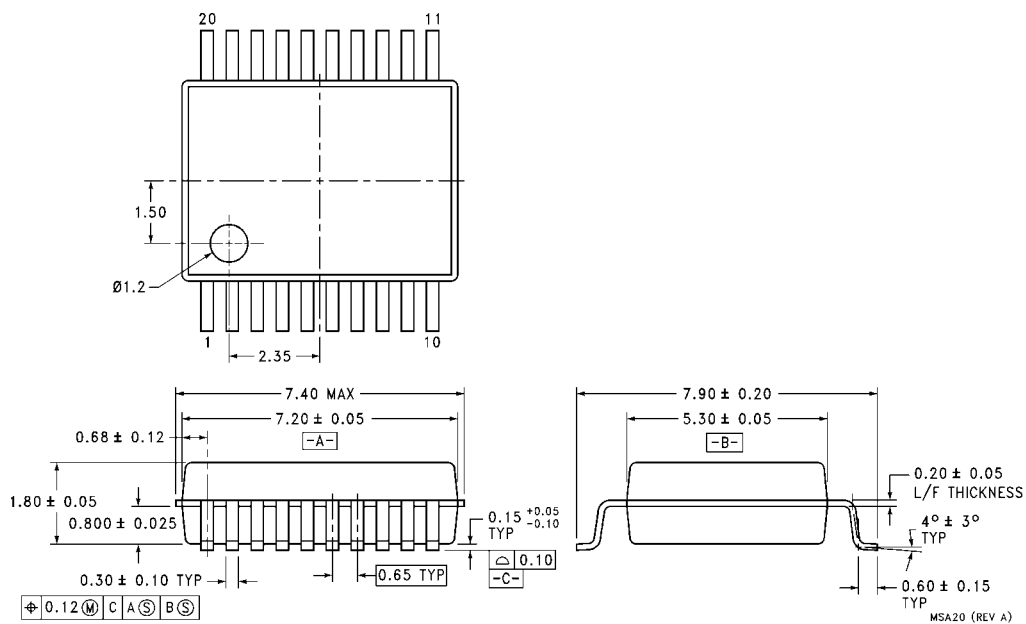
Note 2: Switching characteristic conditions are $V_{CC} = 4.5V$ to $5.5V$, $R_L = 500\Omega$, $C_L = 50 pF$.

Physical Dimensions inches (millimeters) unless otherwise noted



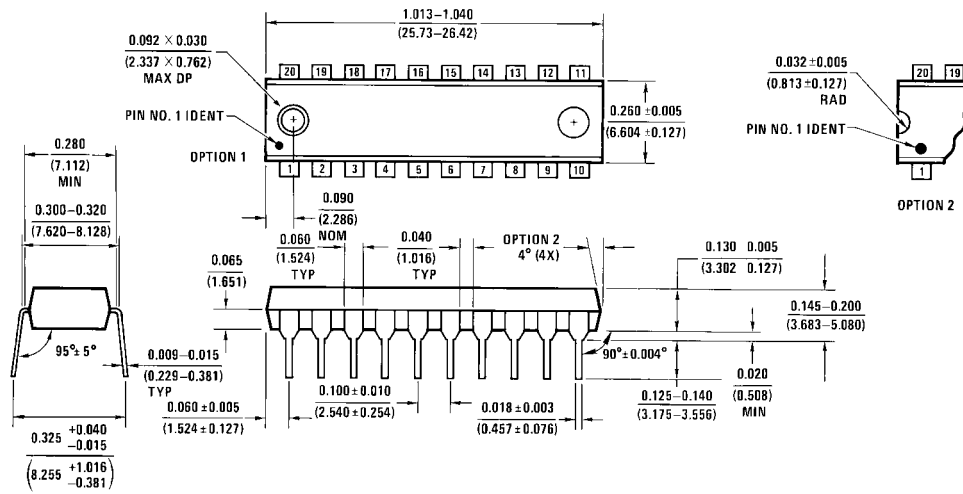
**20-Lead Small Outline Integrated Circuit (SOIC), JEDEC MS-013, 0.300 Wide
Package Number M20B**

Physical Dimensions inches (millimeters) unless otherwise noted (Continued)



**20-Lead Shrink Small Outline Package (SSOP), EIAJ TYPE II, 5.3mm Wide
 Package Number MSA20**

Physical Dimensions inches (millimeters) unless otherwise noted (Continued)



**20-Lead Plastic Dual-In-Line Package (PDIP), JEDEC MS-001, 0.300 Wide
Package Number N20A**

N20A (REV G)

Fairchild does not assume any responsibility for use of any circuitry described, no circuit patent licenses are implied and Fairchild reserves the right at any time without notice to change said circuitry and specifications.

LIFE SUPPORT POLICY

FAIRCHILD'S PRODUCTS ARE NOT AUTHORIZED FOR USE AS CRITICAL COMPONENTS IN LIFE SUPPORT DEVICES OR SYSTEMS WITHOUT THE EXPRESS WRITTEN APPROVAL OF THE PRESIDENT OF FAIRCHILD SEMICONDUCTOR CORPORATION. As used herein:

1. Life support devices or systems are devices or systems which, (a) are intended for surgical implant into the body, or (b) support or sustain life, and (c) whose failure to perform when properly used in accordance with instructions for use provided in the labeling, can be reasonably expected to result in a significant injury to the user.
2. A critical component in any component of a life support device or system whose failure to perform can be reasonably expected to cause the failure of the life support device or system, or to affect its safety or effectiveness.

www.fairchildsemi.com

Looking for pricing, stock, or lifecycle information?

Click below to explore more details on WIN SOURCE:

- ⊖ [View 74ALS245ASJX on WIN SOURCE](#)
- ⊖ [Fairchild/ON Semiconductor Information](#)

Optimize Your Supply Chain with WIN SOURCE Solutions

- ✓ Global Sourcing Solution
- ✓ Obsolete Management
- ✓ Cost Control Management
- ✓ Shortage Management
- ✓ Alternative Solution
- ✓ Excess Inventory Management