



THE DATASHEET OF
74F365



74F365 Hex Buffer/Driver with 3-STATE Outputs

General Description

The 74F365 is a hex buffer and line driver designed to be employed as a memory and address driver, clock driver and bus-oriented transmitter/receiver.

Features

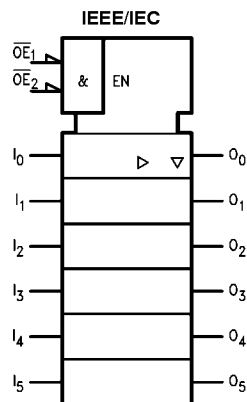
- 3-STATE buffer outputs
- Outputs sink 64 mA
- Bus-oriented

Ordering Code:

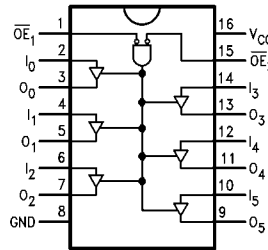
| Order Number | Package Number | Package Description |
|--------------|----------------|---|
| 74F365SC | M16A | 16-Lead Small Outline Integrated Circuit (SOIC), JEDEC MS-012, 0.150 Narrow |
| 74F365PC | N16E | 16-Lead Plastic Dual-In-Line Package (PDIP), JEDEC MS-001, 0.300 Wide |

Devices also available in Tape and Reel. Specify by appending the suffix letter "X" to the ordering code.

Logic Symbol



Connection Diagram



Function Table

| Inputs | | | Output |
|-------------------|-------------------|---|--------|
| \overline{OE}_1 | \overline{OE}_2 | I | O |
| L | L | L | L |
| L | L | H | H |
| X | H | X | Z |
| H | X | X | Z |

L = LOW Voltage Level X = Immaterial
H = HIGH Voltage Level Z = High Impedance

Unit Loading/Fan Out

| Pin Names | Description | U.L. HIGH/LOW | Input I_H/I_L Output I_{OH}/I_{OL} |
|------------------------------------|----------------------------------|------------------|---|
| $\overline{OE}_1, \overline{OE}_2$ | Output Enable Input (Active LOW) | 1.0/0.033 | 20 μ A/20 μ A |
| I_n | Inputs | 1.0/0.033 | 20 μ A/20 μ A |
| O_n | Outputs | 600/106.6 (80) | -12 mA/64 mA (48 mA) |

Absolute Maximum Ratings(Note 1)

| | |
|---|--------------------------------------|
| Storage Temperature | -65°C to +150°C |
| Ambient Temperature under Bias | -55°C to +125°C |
| Junction Temperature under Bias | -55°C to +150°C |
| V _{CC} Pin Potential to Ground Pin | -0.5V to +7.0V |
| Input Voltage (Note 2) | -0.5V to +7.0V |
| Input Current (Note 2) | -30 mA to +5.0 mA |
| Voltage Applied to Output | |
| in HIGH State (with V _{CC} = 0V) | |
| Standard Output | -0.5V to V _{CC} |
| 3-STATE Output | -0.5V to +5.5V |
| Current Applied to Output | |
| in LOW State (Max) | twice the rated I _{OL} (mA) |

Recommended Operating Conditions

| | |
|------------------------------|----------------|
| Free Air Ambient Temperature | 0°C to +70°C |
| Supply Voltage | +4.5V to +5.5V |

Note 1: Absolute maximum ratings are values beyond which the device may be damaged or have its useful life impaired. Functional operation under these conditions is not implied.

Note 2: Either voltage limit or current limit is sufficient to protect inputs.

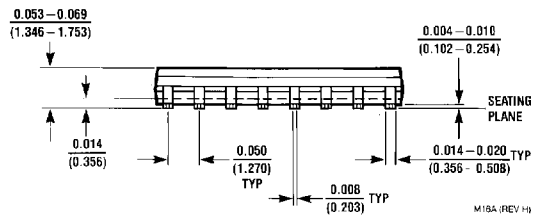
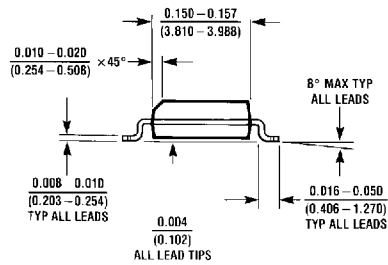
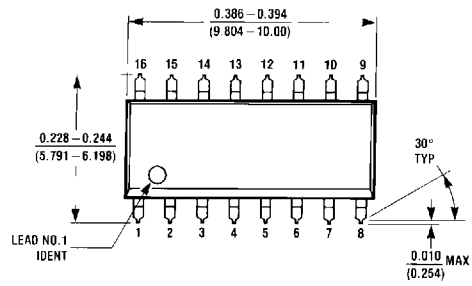
DC Electrical Characteristics

| Symbol | Parameter | Min | Typ | Max | Units | V _{CC} | Conditions | |
|------------------|-----------------------------------|---------------------|-----|------|-------|-----------------|------------------------------------|--------------------------|
| V _{IH} | Input HIGH Voltage | 2.0 | | | V | | Recognized as a HIGH Signal | |
| V _{IL} | Input LOW Voltage | | | 0.8 | V | | Recognized as a LOW Signal | |
| V _{CD} | Input Clamp Diode Voltage | | | -1.2 | V | Min | I _{IN} = -18 mA | |
| V _{OH} | Output HIGH Voltage | 10% V _{CC} | 2.4 | | | V | Min | I _{OH} = -3 mA |
| | | 10% V _{CC} | 2.0 | | | | | I _{OH} = -15 mA |
| | | 5% V _{CC} | 2.7 | | | | | I _{OH} = -3 mA |
| V _{OL} | Output LOW Voltage | 10% V _{CC} | | 0.55 | V | Min | I _{OL} = 64 mA | |
| I _{IH} | Input HIGH Current | | | 20 | μA | Max | V _{IN} = 2.7V | |
| I _{BVI} | Input HIGH Current Breakdown Test | | | 100 | μA | 0.0 | V _{IN} = 7.0V | |
| I _{IL} | Input LOW Current | | | -20 | μA | Max | V _{IN} = 0.5V | |
| I _{OZH} | Output Leakage Current | | | 50 | μA | Max | V _{OUT} = 2.7V | |
| I _{OZL} | Output Leakage Current | | | -50 | μA | Max | V _{OUT} = 0.5V | |
| I _{OS} | Output Short-Circuit Current | -100 | | -225 | mA | Max | V _{OUT} = 0V | |
| I _{CEX} | Output HIGH Leakage Current | | | 250 | μA | Max | V _{OUT} = V _{CC} | |
| I _{ZZ} | Bus Drainage Test | | | 500 | μA | 0.0V | V _{OUT} = 5.25V | |
| I _{CCH} | Power Supply Current | | 25 | 35 | mA | Max | V _O = HIGH | |
| I _{CCL} | Power Supply Current | | 44 | 62 | mA | Max | V _O = LOW | |
| I _{CCZ} | Power Supply Current | | 35 | 48 | mA | Max | V _O = HIGH Z | |

AC Electrical Characteristics

| Symbol | Parameter | T _A = +25°C V _{CC} = +5.0V C _L = 50 pF | | | T _A = -55°C to +125°C V _{CC} = +5.0V C _L = 50 pF | | T _A = 0°C to +70°C V _{CC} = +5.0V C _L = 50 pF | | Units |
|------------------|----------------------------------|---|-----|-----|---|-----|--|------|-------|
| | | Min | Typ | Max | Min | Max | Min | Max | |
| t _{PLH} | Propagation Delay | 2.5 | 4.6 | 6.5 | 2.0 | 7.0 | 2.0 | 7.0 | ns |
| t _{PHL} | I _n to O _n | 2.5 | 4.9 | 7.0 | 2.0 | 7.0 | 2.0 | 7.5 | |
| t _{PZH} | Enable Time | 2.5 | 5.1 | 9.5 | 2.0 | 8.5 | 2.5 | 10.0 | ns |
| t _{PZL} | | 2.5 | 5.7 | 9.0 | 2.0 | 8.5 | 2.5 | 9.5 | |
| t _{PHZ} | Disable Time | 2.0 | 3.6 | 6.5 | 1.5 | 6.5 | 2.0 | 7.0 | ns |
| t _{PLZ} | | 2.0 | 4.4 | 6.5 | 1.5 | 9.0 | 2.0 | 7.0 | |

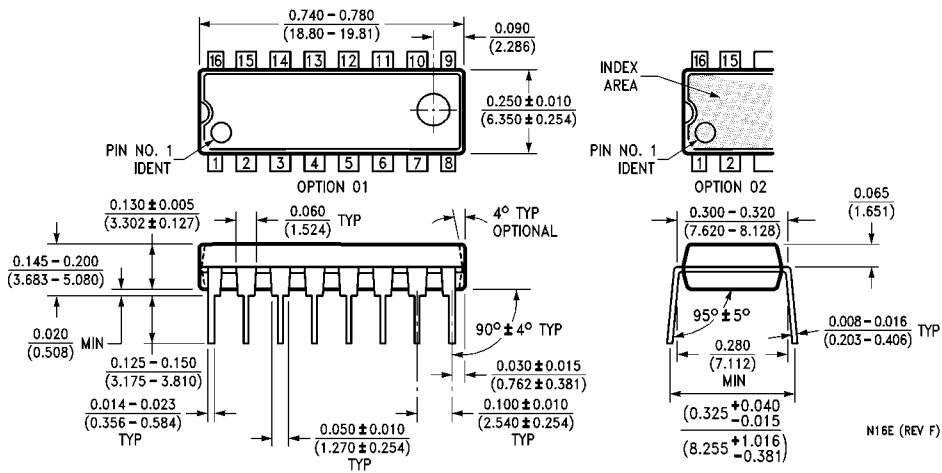
Physical Dimensions inches (millimeters) unless otherwise noted



**16-Lead (0.150" Wide) Molded Small Outline Package, JEDEC (S)
Package Number M16A**

M16A (REV H)

Physical Dimensions inches (millimeters) unless otherwise noted (Continued)



16-Lead Plastic Dual-In-Line Package (PDIP), JEDEC MS-001, 0.300 Wide Package Number N16E

Fairchild does not assume any responsibility for use of any circuitry described, no circuit patent licenses are implied and Fairchild reserves the right at any time without notice to change said circuitry and specifications.

LIFE SUPPORT POLICY

FAIRCHILD'S PRODUCTS ARE NOT AUTHORIZED FOR USE AS CRITICAL COMPONENTS IN LIFE SUPPORT DEVICES OR SYSTEMS WITHOUT THE EXPRESS WRITTEN APPROVAL OF THE PRESIDENT OF FAIRCHILD SEMICONDUCTOR CORPORATION. As used herein:

1. Life support devices or systems are devices or systems which, (a) are intended for surgical implant into the body, or (b) support or sustain life, and (c) whose failure to perform when properly used in accordance with instructions for use provided in the labeling, can be reasonably expected to result in a significant injury to the user.
2. A critical component in any component of a life support device or system whose failure to perform can be reasonably expected to cause the failure of the life support device or system, or to affect its safety or effectiveness.

www.fairchildsemi.com

Looking for pricing, stock, or lifecycle information?

Click below to explore more details on WIN SOURCE:

- [View 74F365 on WIN SOURCE](#)
- [Fairchild/ON Semiconductor Information](#)

Optimize Your Supply Chain with WIN SOURCE Solutions

- ✓ Global Sourcing Solution
- ✓ Obsolete Management
- ✓ Cost Control Management
- ✓ Shortage Management
- ✓ Alternative Solution
- ✓ Excess Inventory Management