



**THE DATASHEET OF  
SN74LVC1G17DBVRG4**



## SN74LVC1G17 Single Schmitt-Trigger Buffer

### 1 Features

- Available in Ultra Small 0.64-mm<sup>2</sup> Package (DPW) With 0.5-mm Pitch
- Supports 5-V V<sub>CC</sub> Operation
- Inputs Accept Voltages to 5.5 V
- Max t<sub>pd</sub> of 4.6 ns at 3.3 V
- Low Power Consumption, 10-μA Max I<sub>CC</sub>
- ±24-mA Output Drive at 3.3 V
- I<sub>off</sub> Supports Live Insertion, Partial-Power-Down Mode, and Back-Drive Protection
- Latch-Up Performance Exceeds 100 mA Per JESD 78, Class II
- ESD Protection Exceeds JESD 22
  - 2000-V Human-Body Model (A114-A)
  - 200-V Machine Model (A115-A)
  - 1000-V Charged-Device Model (C101)

### 2 Applications

- AV Receiver
- Audio Dock: Portable
- Blu-ray Player and Home Theater
- MP3 Player/Recorder
- Personal Digital Assistant (PDA)
- Power: Telecom/Server AC/DC Supply: Single Controller: Analog and Digital
- Solid State Drive (SSD): Client and Enterprise
- TV: LCD/Digital and High-Definition (HDTV)
- Tablet: Enterprise
- Video Analytics: Server
- Wireless Headset, Keyboard, and Mouse

### 4 Simplified Schematic



### 3 Description

This single Schmitt-trigger buffer is designed for 1.65-V to 5.5-V V<sub>CC</sub> operation.

The SN74LVC1G17 device contains one buffer and performs the Boolean function  $Y = A$ .

The CMOS device has high output drive while maintaining low static power dissipation over a broad V<sub>CC</sub> operating range.

The SN74LVC1G17 is available in a variety of packages, including the ultra-small DPW package with a body size of 0.8 mm × 0.8mm.

**Device Information<sup>(1)</sup>**

| DEVICE NAME | PACKAGE    | BODY SIZE      |
|-------------|------------|----------------|
| SN74LVC1G17 | SOT-23 (5) | 2.9mm × 1.6mm  |
|             | SC70 (5)   | 2.0mm × 1.25mm |
|             | X2SON (4)  | 0.8mm × 0.8mm  |
|             | SON (6)    | 1.45mm × 1.0mm |
|             | SON (6)    | 1.0mm × 1.0mm  |

(1) For all available packages, see the orderable addendum at the end of the datasheet.



## Table of Contents

|  |          |  |           |
|--|----------|--|-----------|
| <b>1 Features</b> .....  | <b>1</b> | <b>9 Detailed Description</b> .....                              | <b>10</b> |
| <b>2 Applications</b> .....  | <b>1</b> | 9.1 Overview .....   | 10        |
| <b>3 Description</b> .....   | <b>1</b> | 9.2 Functional Block Diagram .....                               | 10        |
| <b>4 Simplified Schematic</b> .....  | <b>1</b> | 9.3 Feature Description .....                                    | 10        |
| <b>5 Revision History</b> .....  | <b>2</b> | 9.4 Device Functional Modes .....                                | 10        |
| <b>6 Pin Configuration and Functions</b> .....   | <b>3</b> | <b>10 Applications and Implementation</b> .....                  | <b>11</b> |
| <b>7 Specifications</b> .....  | <b>4</b> | 10.1 Application Information .....                               | 11        |
| 7.1 Absolute Maximum Ratings .....   | 4        | 10.2 Typical Application .....                                   | 11        |
| 7.2 Handling Ratings .....   | 4        | <b>11 Power Supply Recommendations</b> .....                     | <b>12</b> |
| 7.3 Recommended Operating Conditions .....   | 5        | <b>12 Layout</b> .....   | <b>12</b> |
| 7.4 Thermal Information .....  | 5        | 12.1 Layout Guidelines .....                                     | 12        |
| 7.5 Electrical Characteristics—DC Limit Changes .....                                    | 6        | 12.2 Layout Example .....  | 12        |
| 7.6 Switching Characteristics, $C_L = 15$ pF .....                                       | 7        | <b>13 Device and Documentation Support</b> .....                 | <b>13</b> |
| 7.7 Switching Characteristics AC Limit, $-40^\circ\text{C}$ TO $85^\circ\text{C}$ .....  | 7        | 13.1 Trademarks .....  | 13        |
| 7.8 Switching Characteristics AC Limit, $-40^\circ\text{C}$ TO $125^\circ\text{C}$ ..... | 7        | 13.2 Electrostatic Discharge Caution .....                       | 13        |
| 7.9 Operating Characteristics .....  | 7        | 13.3 Glossary .....  | 13        |
| 7.10 Typical Characteristics .....   | 7        | <b>14 Mechanical, Packaging, and Orderable Information</b> ..... | <b>13</b> |
| <b>8 Parameter Measurement Information</b> .....   | <b>8</b> |  |           |

## 5 Revision History

### Changes from Revision U (February 2014) to Revision V

Page

|  |    |
|--|----|
| • Added Pin Functions table. ....                    | 3  |
| • Added Handling Ratings table. ....                 | 4  |
| • Added Thermal Information table. ....              | 5  |
| • Added Typical Characteristics. ....                | 7  |
| • Added Detailed Description section. ....           | 10 |
| • Added Application and Implementation section. .... | 11 |
| • Added Power Supply Recommendations section. ....   | 12 |
| • Added Layout section. ....                         | 12 |

### Changes from Revision T (November 2012) to Revision U

Page

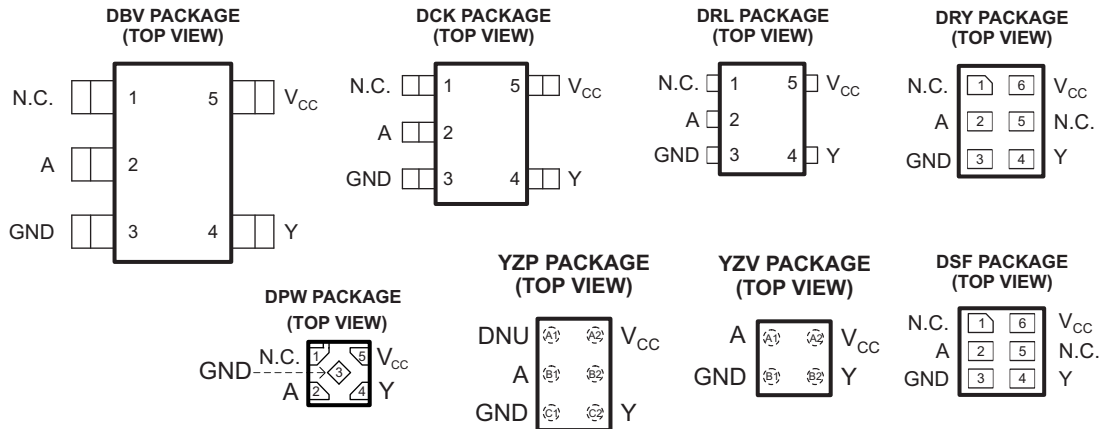
|  |   |
|--|---|
| • Added Applications. ....   | 1 |
| • Moved $T_{stg}$ to Handling Ratings table. ....  | 4 |
| • Changed MAX operating free-air temperature from $85^\circ\text{C}$ to $125^\circ\text{C}$ . ....             | 5 |
| • Added $-40^\circ\text{C}$ to $125^\circ\text{C}$ to Electrical Characteristics table. ....                   | 6 |
| • Added Switching Characteristics table for $-40^\circ\text{C}$ to $125^\circ\text{C}$ temperature range. .... | 7 |

### Changes from Revision S (June 2011) to Revision T

Page

|  |   |
|--|---|
| • Removed Ordering Information table. .... | 3 |
|--|---|

## 6 Pin Configuration and Functions



N.C. – No internal connection  
 See mechanical drawings for dimensions.  
 DNU – Do not use

### Pin Functions

| NAME            | PIN                |          |        |     | DESCRIPTION    |
|-----------------|--------------------|----------|--------|-----|----------------|
|                 | DBV, DCK, DRL, DPW | DRY, DSF | YZP    | YZV |                |
| NC              | 1                  | 1, 5     | A1, B2 | –   | Not connected  |
| A               | 2                  | 2        | B1     | A1  | Input          |
| GND             | 3                  | 3        | C1     | B1  | Ground         |
| Y               | 4                  | 4        | C2     | B2  | Output         |
| V <sub>CC</sub> | 5                  | 6        | A2     | A2  | Power terminal |

## 7 Specifications

### 7.1 Absolute Maximum Ratings<sup>(1)</sup>

over operating free-air temperature range (unless otherwise noted)

|          |   | MIN       | MAX            | UNIT |
|----------|---|-----------|----------------|------|
| $V_{CC}$ | Supply voltage range  | -0.5      | 6.5            | V    |
| $V_I$    | Input voltage range <sup>(2)</sup>  | -0.5      | 6.5            | V    |
| $V_O$    | Voltage range applied to any output in the high-impedance or power-off state <sup>(2)</sup> | -0.5      | 6.5            | V    |
| $V_O$    | Voltage range applied to any output in the high or low state <sup>(2)(3)</sup>              | -0.5      | $V_{CC} + 0.5$ | V    |
| $I_{IK}$ | Input clamp current   | $V_I < 0$ | -50            | mA   |
| $I_{OK}$ | Output clamp current  | $V_O < 0$ | -50            | mA   |
| $I_O$    | Continuous output current   |           | ±50            | mA   |
|          | Continuous current through $V_{CC}$ or GND  |           | ±100           | mA   |

- (1) Stresses beyond those listed under *Absolute Maximum Ratings* may cause permanent damage to the device. These are stress ratings only, and functional operation of the device at these or any other conditions beyond those indicated under [Recommended Operating Conditions](#) tables is not implied. Exposure to absolute-maximum-rated conditions for extended periods may affect device reliability.
- (2) The input and output negative-voltage ratings may be exceeded if the input and output current ratings are observed.
- (3) The value of  $V_{CC}$  is provided in the *Recommended Operating Conditions* table.

### 7.2 Handling Ratings

|                 |   | MIN | MAX | UNIT |
|-----------------|---|-----|-----|------|
| $T_{stg}$       | Storage temperature range                 | -65 | 150 | °C   |
| $V_{ESD}^{(1)}$ | Human-Body Model (HBM) <sup>(2)</sup>     | 0   | 2   | kV   |
|                 | Charged-Device Model (CDM) <sup>(3)</sup> | 0   | 1   | kV   |

- (1) Electrostatic discharge (ESD) to measure device sensitivity and immunity to damage caused by assembly line electrostatic discharges in to the device.
- (2) Level listed above is the passing level per ANSI, ESDA, and JEDEC JS-001. JEDEC document JEP155 states that 500-V HBM allows safe manufacturing with a standard ESD control process.
- (3) Level listed above is the passing level per EIA-JEDEC JESD22-C101. JEDEC document JEP157 states that 250-V CDM allows safe manufacturing with a standard ESD control process.

### 7.3 Recommended Operating Conditions<sup>(1)</sup>

|                 |                                | MIN                      | MAX             | UNIT |    |
|-----------------|--------------------------------|--------------------------|-----------------|------|----|
| V <sub>CC</sub> | Supply voltage                 | Operating                | 1.65            | 5.5  | V  |
|                 |                                | Data retention only      | 1.5             |      |    |
| V <sub>I</sub>  | Input voltage                  | 0                        | 5.5             | V    |    |
| V <sub>O</sub>  | Output voltage                 | 0                        | V <sub>CC</sub> | V    |    |
| I <sub>OH</sub> | High-level output current      | V <sub>CC</sub> = 1.65 V |                 | –4   | mA |
|                 |                                | V <sub>CC</sub> = 2.3 V  |                 | –8   |    |
|                 |                                | V <sub>CC</sub> = 3 V    |                 | –16  |    |
|                 |                                | V <sub>CC</sub> = 4.5 V  |                 | –24  |    |
| I <sub>OL</sub> | Low-level output current       | V <sub>CC</sub> = 1.65 V |                 | 4    | mA |
|                 |                                | V <sub>CC</sub> = 2.3 V  |                 | 8    |    |
|                 |                                | V <sub>CC</sub> = 3 V    |                 | 16   |    |
|                 |                                | V <sub>CC</sub> = 4.5 V  |                 | 24   |    |
| T <sub>A</sub>  | Operating free-air temperature | –40                      | 125             | °C   |    |

(1) All unused inputs of the device must be held at V<sub>CC</sub> or GND to ensure proper device operation. Refer to the TI application report, *Implications of Slow or Floating CMOS Inputs*, literature number [SCBA004](#).

### 7.4 Thermal Information

| THERMAL METRIC <sup>(1)</sup> | SN74LVC1G17                                  |        |        |        |        |        |        | UNIT |      |
|-------------------------------|--|--------|--------|--------|--------|--------|--------|------|------|
|                               | DBV  | DCK    | DRL    | DRY    | YZP    | DPW    | YZV    |      |      |
|                               | 5 PINS                                       | 5 PINS | 5 PINS | 6 PINS | 5 PINS | 4 PINS | 4 PINS |      |      |
| R <sub>θJA</sub>              | Junction-to-ambient thermal resistance       | 229    | 280    | 350    | 608    | 130    | 340    | 181  | °C/W |
| R <sub>θJC(top)</sub>         | Junction-to-case (top) thermal resistance    | 164    | 66     | 121    | 432    | 54     | 215    | 1    |      |
| R <sub>θJB</sub>              | Junction-to-board thermal resistance         | 62     | 67     | 171    | 446    | 51     | 294    | 39   |      |
| ψ <sub>JT</sub>               | Junction-to-top characterization parameter   | 44     | 2      | 11     | 191    | 1      | 41     | 8    |      |
| ψ <sub>JB</sub>               | Junction-to-board characterization parameter | 62     | 66     | 169    | 442    | 50     | 294    | 38   |      |
| R <sub>θJC(bot)</sub>         | Junction-to-case (bottom) thermal resistance | –      | –      | –      | 198    | –      | 250    | –    |      |

(1) For more information about traditional and new thermal metrics, see the *IC Package Thermal Metrics* application report, [SPRA953](#).

## 7.5 Electrical Characteristics—DC Limit Changes

over recommended operating free-air temperature range (unless otherwise noted)

| PARAMETER   | TEST CONDITIONS  | V <sub>CC</sub>   | 25°C               |                    |     | –40°C TO 85°C         |                    |     | –40°C TO 125°C        |      |     | UNIT |
|---|--|---|--------------------|--------------------|-----|-----------------------|--------------------|-----|-----------------------|------|-----|------|
|   |  |   | MIN                | TYP <sup>(1)</sup> | MAX | MIN                   | TYP <sup>(1)</sup> | MAX | MIN                   | TYP  | MAX |      |
| V <sub>T+</sub><br>(Positive-going<br>input threshold<br>voltage)     |  | 1.65 V  |                    |                    |     | 0.76                  | 1.13               |     | 0.76                  | 1.13 | V   |      |
|   |  | 2.3 V   |                    |                    |     | 1.08                  | 1.56               |     | 1.08                  | 1.56 |     |      |
|   |  | 3 V   |                    |                    |     | 1.48                  | 1.92               |     | 1.48                  | 1.92 |     |      |
|   |  | 4.5 V   |                    |                    |     | 2.19                  | 2.74               |     | 2.19                  | 2.74 |     |      |
|   |  | 5.5 V   |                    |                    |     | 2.65                  | 3.33               |     | 2.65                  | 3.33 |     |      |
| V <sub>T–</sub><br>(Negative-going<br>input threshold<br>voltage)     |  | 1.65 V  |                    |                    |     | 0.35                  | 0.59               |     | 0.35                  | 0.59 | V   |      |
|   |  | 2.3 V   |                    |                    |     | 0.56                  | 0.88               |     | 0.56                  | 0.88 |     |      |
|   |  | 3 V   |                    |                    |     | 0.89                  | 1.2                |     | 0.89                  | 1.2  |     |      |
|   |  | 4.5 V   |                    |                    |     | 1.51                  | 1.97               |     | 1.51                  | 1.97 |     |      |
|   |  | 5.5 V   |                    |                    |     | 1.88                  | 2.4                |     | 1.88                  | 2.4  |     |      |
| ΔV <sub>T</sub><br>Hysteresis<br>(V <sub>T+</sub> – V <sub>T–</sub> ) |  | 1.65 V  |                    |                    |     | 0.36                  | 0.64               |     | 0.36                  | 0.64 | V   |      |
|   |  | 2.3 V   |                    |                    |     | 0.45                  | 0.78               |     | 0.45                  | 0.78 |     |      |
|   |  | 3 V   |                    |                    |     | 0.51                  | 0.83               |     | 0.51                  | 0.83 |     |      |
|   |  | 4.5 V   |                    |                    |     | 0.58                  | 0.93               |     | 0.58                  | 0.93 |     |      |
|   |  | 5.5 V   |                    |                    |     | 0.69                  | 1.04               |     | 0.69                  | 1.04 |     |      |
| V <sub>OH</sub>   | I <sub>OH</sub> = –100 μA  | 1.65 V to<br>5.5 V  |                    |                    |     | V <sub>CC</sub> – 0.1 |                    |     | V <sub>CC</sub> – 0.1 |      | V   |      |
|   |  | 1.65 V  |                    |                    |     | 1.2                   |                    |     | 1.2                   |      |     |      |
|   |  | 2.3 V   |                    |                    |     | 1.9                   |                    |     | 1.9                   |      |     |      |
|   |  | 3 V   |                    |                    |     | 2.4                   |                    |     | 2.4                   |      |     |      |
|   |  |   |                    |                    |     | 2.3                   |                    |     | 2.3                   |      |     |      |
|   |  |   |                    |                    |     | 3.8                   |                    |     | 3.8                   |      |     |      |
| V <sub>OL</sub>   | I <sub>OL</sub> = 100 μA   | 1.65 V to<br>5.5 V  |                    |                    |     |                       | 0.1                |     |                       | 0.1  | V   |      |
|   |  | 1.65 V  |                    |                    |     |                       | 0.45               |     |                       | 0.45 |     |      |
|   |  | 2.3 V   |                    |                    |     |                       | 0.3                |     |                       | 0.3  |     |      |
|   |  | 3 V   |                    |                    |     |                       | 0.4                |     |                       | 0.4  |     |      |
|   |  |   |                    |                    |     |                       | 0.55               |     |                       | 0.55 |     |      |
|   |  |   |                    |                    |     |                       | 0.55               |     |                       | 0.55 |     |      |
| I <sub>I</sub>  | A input  | V <sub>I</sub> = 5.5 V or GND   | 0 to<br>5.5 V      |                    |     |                       |                    | ±5  |                       | ±5   | μA  |      |
| I <sub>off</sub>  |  | V <sub>I</sub> or V <sub>O</sub> = 5.5 V  | 0                  |                    |     |                       |                    | ±10 |                       | ±10  | μA  |      |
| I <sub>CC</sub>   | V <sub>I</sub> = 5.5 V or GND,<br>V <sub>I</sub> = 3.6 V or GND, | I <sub>O</sub> = 0  | 1.65 V to<br>5.5 V |                    |     |                       |                    |     | 10                    |      | 10  | μA   |
|   |  |   | 3 V to<br>3.6 V    |                    |     | 0.5                   | 1.5                |     |                       |      |     |      |
| ΔI <sub>CC</sub>  |  | One input at V <sub>CC</sub> – 0.6 V,<br>Other inputs at V <sub>CC</sub> or GND | 3 V to<br>5.5 V    |                    |     |                       |                    |     | 500                   |      | 500 | μA   |
| C <sub>I</sub>  |  | V <sub>I</sub> = V <sub>CC</sub> or GND   | 3.3 V              |                    |     | 4.5                   |                    |     |                       |      |     | pF   |

 (1) All typical values are at V<sub>CC</sub> = 3.3 V, T<sub>A</sub> = 25°C.

## 7.6 Switching Characteristics, $C_L = 15\text{ pF}$

over recommended operating free-air temperature range,  $C_L = 15\text{ pF}$  (unless otherwise noted) (see [Figure 3](#))

| PARAMETER | FROM (INPUT) | TO (OUTPUT) | -40°C TO 85°C                             |     |  |     |  |     |  |     | UNIT |
|-----------|--------------|-------------|---|-----|--|-----|--|-----|--|-----|------|
|           |              |             | $V_{CC} = 1.8\text{ V} \pm 0.15\text{ V}$ |     | $V_{CC} = 2.5\text{ V} \pm 0.2\text{ V}$ |     | $V_{CC} = 3.3\text{ V} \pm 0.3\text{ V}$ |     | $V_{CC} = 5\text{ V} \pm 0.5\text{ V}$ |     |      |
|           |              |             | MIN                                       | MAX | MIN                                      | MAX | MIN                                      | MAX | MIN                                    | MAX |      |
| $t_{pd}$  | A            | Y           | 2.8                                       | 9.9 | 1.6                                      | 5.5 | 1.5                                      | 4.6 | 0.9                                    | 4.4 | ns   |

## 7.7 Switching Characteristics AC Limit, -40°C TO 85°C

over recommended operating free-air temperature range,  $C_L = 30\text{ pF}$  or  $50\text{ pF}$  (unless otherwise noted) (see [Figure 4](#))

| PARAMETER | FROM (INPUT) | TO (OUTPUT) | -40°C TO 85°C                             |     |  |     |  |     |  |     | UNIT |
|-----------|--------------|-------------|---|-----|--|-----|--|-----|--|-----|------|
|           |              |             | $V_{CC} = 1.8\text{ V} \pm 0.15\text{ V}$ |     | $V_{CC} = 2.5\text{ V} \pm 0.2\text{ V}$ |     | $V_{CC} = 3.3\text{ V} \pm 0.3\text{ V}$ |     | $V_{CC} = 5\text{ V} \pm 0.5\text{ V}$ |     |      |
|           |              |             | MIN                                       | MAX | MIN                                      | MAX | MIN                                      | MAX | MIN                                    | MAX |      |
| $t_{pd}$  | A            | Y           | 3.8                                       | 11  | 2  | 6.5 | 1.8                                      | 5.5 | 1.2                                    | 5   | ns   |

## 7.8 Switching Characteristics AC Limit, -40°C TO 125°C

over recommended operating free-air temperature range,  $C_L = 30\text{ pF}$  or  $50\text{ pF}$  (unless otherwise noted) (see [Figure 4](#))

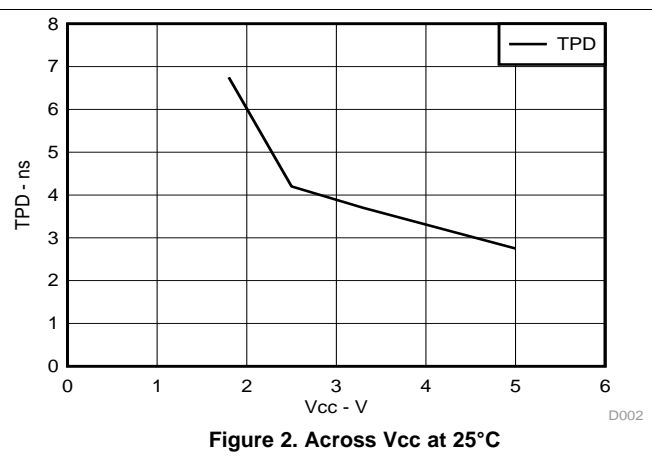
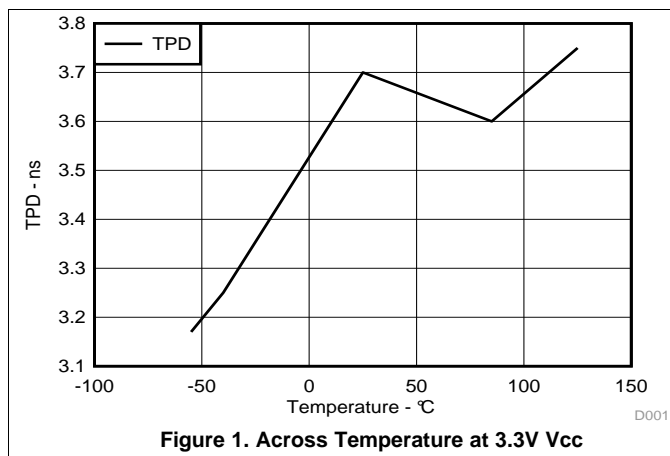
| PARAMETER | FROM (INPUT) | TO (OUTPUT) | -40°C TO 125°C                            |     |  |     |  |     |  |     | UNIT |
|-----------|--------------|-------------|---|-----|--|-----|--|-----|--|-----|------|
|           |              |             | $V_{CC} = 1.8\text{ V} \pm 0.15\text{ V}$ |     | $V_{CC} = 2.5\text{ V} \pm 0.2\text{ V}$ |     | $V_{CC} = 3.3\text{ V} \pm 0.3\text{ V}$ |     | $V_{CC} = 5\text{ V} \pm 0.5\text{ V}$ |     |      |
|           |              |             | MIN                                       | MAX | MIN                                      | MAX | MIN                                      | MAX | MIN                                    | MAX |      |
| $t_{pd}$  | A            | Y           | 3.8                                       | 13  | 2  | 8   | 1.8                                      | 6.5 | 1.2                                    | 6   | ns   |

## 7.9 Operating Characteristics

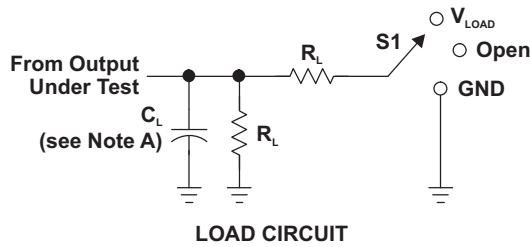
 $T_A = 25^\circ\text{C}$ 

| PARAMETER | TEST CONDITIONS               | $V_{CC} = 1.8\text{ V}$ | $V_{CC} = 2.5\text{ V}$ | $V_{CC} = 3.3\text{ V}$ | $V_{CC} = 5\text{ V}$ | UNIT |    |
|-----------|-------------------------------|-------------------------|-------------------------|-------------------------|-----------------------|------|----|
|           |                               | TYP                     | TYP                     | TYP                     | TYP                   |      |    |
| $C_{pd}$  | Power dissipation capacitance | f = 10 MHz              | 20                      | 21                      | 22                    | 26   | pF |

## 7.10 Typical Characteristics

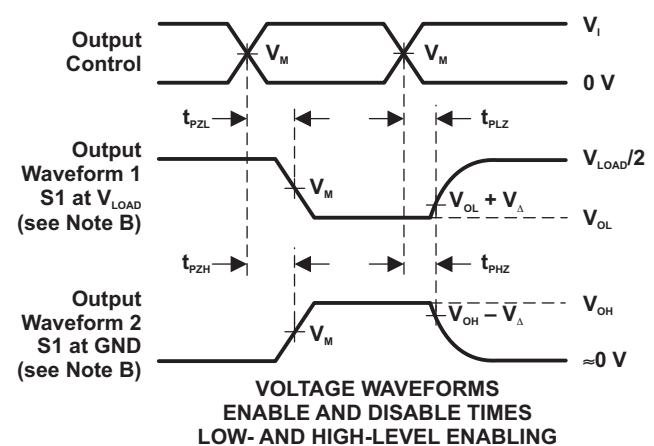
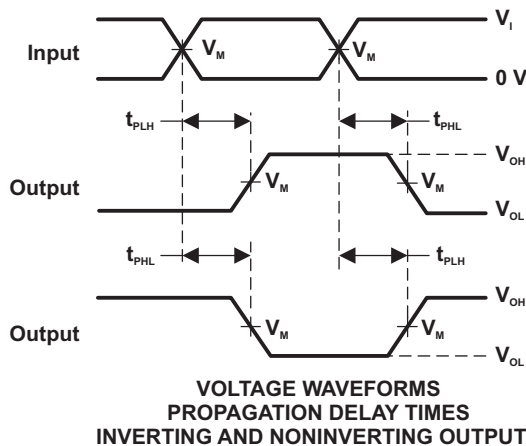
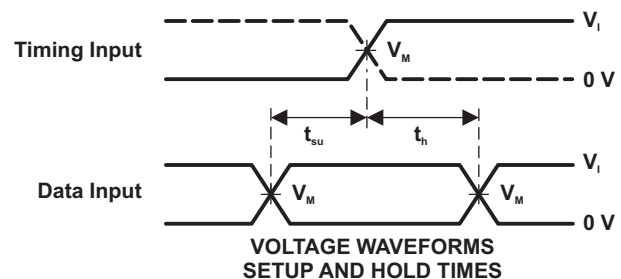
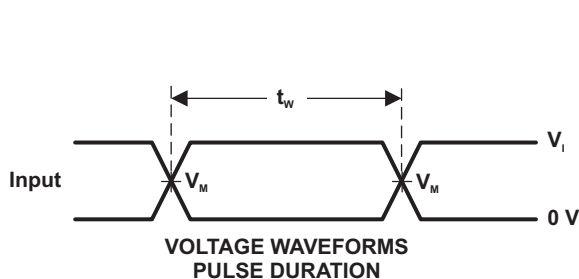


## 8 Parameter Measurement Information



| TEST              | S1         |
|-------------------|------------|
| $t_{PLH}/t_{PHL}$ | Open       |
| $t_{PLZ}/t_{PZL}$ | $V_{LOAD}$ |
| $t_{PHZ}/t_{PZH}$ | GND        |

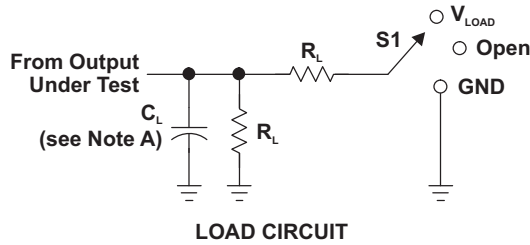
| $V_{CC}$                         | INPUTS   |                      | $V_M$      | $V_{LOAD}$        | $C_L$ | $R_L$        | $V_{\Delta}$ |
|----------------------------------|----------|----------------------|------------|-------------------|-------|--------------|--------------|
|                                  | $V_i$    | $t_i/t_r$            |            |                   |       |              |              |
| $1.8\text{ V} \pm 0.15\text{ V}$ | $V_{CC}$ | $\leq 2\text{ ns}$   | $V_{CC}/2$ | $2 \times V_{CC}$ | 15 pF | 1 M $\Omega$ | 0.15 V       |
| $2.5\text{ V} \pm 0.2\text{ V}$  | $V_{CC}$ | $\leq 2\text{ ns}$   | $V_{CC}/2$ | $2 \times V_{CC}$ | 15 pF | 1 M $\Omega$ | 0.15 V       |
| $3.3\text{ V} \pm 0.3\text{ V}$  | 3 V      | $\leq 2.5\text{ ns}$ | 1.5 V      | 6 V               | 15 pF | 1 M $\Omega$ | 0.3 V        |
| $5\text{ V} \pm 0.5\text{ V}$    | $V_{CC}$ | $\leq 2.5\text{ ns}$ | $V_{CC}/2$ | $2 \times V_{CC}$ | 15 pF | 1 M $\Omega$ | 0.3 V        |



- NOTES: A.  $C_L$  includes probe and jig capacitance.  
 B. Waveform 1 is for an output with internal conditions such that the output is low, except when disabled by the output control. Waveform 2 is for an output with internal conditions such that the output is high, except when disabled by the output control.  
 C. All input pulses are supplied by generators having the following characteristics: PRR  $\leq$  10 MHz,  $Z_o = 50\ \Omega$ .  
 D. The outputs are measured one at a time, with one transition per measurement.  
 E.  $t_{PLZ}$  and  $t_{PHZ}$  are the same as  $t_{dis}$ .  
 F.  $t_{PZL}$  and  $t_{PZH}$  are the same as  $t_{en}$ .  
 G.  $t_{PLH}$  and  $t_{PHL}$  are the same as  $t_{pd}$ .  
 H. All parameters and waveforms are not applicable to all devices.

**Figure 3. Load Circuit and Voltage Waveforms**

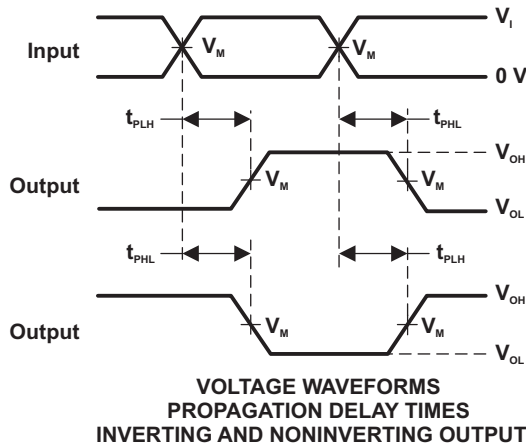
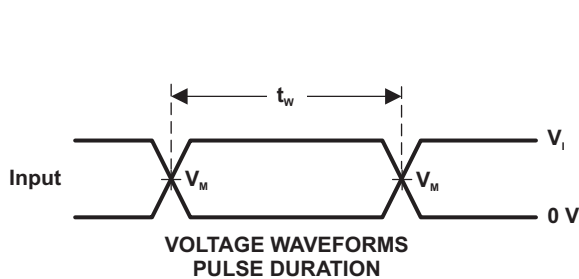
Parameter Measurement Information (continued)



| TEST              | S1         |
|-------------------|------------|
| $t_{PLH}/t_{PHL}$ | Open       |
| $t_{PLZ}/t_{PZL}$ | $V_{LOAD}$ |
| $t_{PHZ}/t_{PZH}$ | GND        |

LOAD CIRCUIT

| $V_{CC}$                         | INPUTS   |                      | $V_M$      | $V_{LOAD}$        | $C_L$ | $R_L$        | $V_{\Delta}$ |
|----------------------------------|----------|----------------------|------------|-------------------|-------|--------------|--------------|
|                                  | $V_I$    | $t_f/t_r$            |            |                   |       |              |              |
| $1.8\text{ V} \pm 0.15\text{ V}$ | $V_{CC}$ | $\leq 2\text{ ns}$   | $V_{CC}/2$ | $2 \times V_{CC}$ | 30 pF | 1 k $\Omega$ | 0.15 V       |
| $2.5\text{ V} \pm 0.2\text{ V}$  | $V_{CC}$ | $\leq 2\text{ ns}$   | $V_{CC}/2$ | $2 \times V_{CC}$ | 30 pF | 500 $\Omega$ | 0.15 V       |
| $3.3\text{ V} \pm 0.3\text{ V}$  | 3 V      | $\leq 2.5\text{ ns}$ | 1.5 V      | 6 V               | 50 pF | 500 $\Omega$ | 0.3 V        |
| $5\text{ V} \pm 0.5\text{ V}$    | $V_{CC}$ | $\leq 2.5\text{ ns}$ | $V_{CC}/2$ | $2 \times V_{CC}$ | 50 pF | 500 $\Omega$ | 0.3 V        |



- NOTES: A.  $C_L$  includes probe and jig capacitance.  
 B. Waveform 1 is for an output with internal conditions such that the output is low, except when disabled by the output control. Waveform 2 is for an output with internal conditions such that the output is high, except when disabled by the output control.  
 C. All input pulses are supplied by generators having the following characteristics: PRR  $\leq$  10 MHz,  $Z_o = 50\ \Omega$ .  
 D. The outputs are measured one at a time, with one transition per measurement.  
 E.  $t_{PLZ}$  and  $t_{PHZ}$  are the same as  $t_{dis}$ .  
 F.  $t_{PZL}$  and  $t_{PZH}$  are the same as  $t_{on}$ .  
 G.  $t_{PLH}$  and  $t_{PHL}$  are the same as  $t_{pd}$ .  
 H. All parameters and waveforms are not applicable to all devices.

Figure 4. Load Circuit and Voltage Waveforms

## 9 Detailed Description

### 9.1 Overview

The SN74LVC1G17 device contains one Schmitt trigger buffer and performs the Boolean function  $Y = A$ . The device functions as an independent buffer, but because of Schmitt action, it will have different input threshold levels for a positive-going (VT+) and negative-going signals.

The DPW package technology is a major breakthrough in IC packaging. Its tiny 0.64 mm square footprint saves significant board space over other package options while still retaining the traditional manufacturing friendly lead pitch of 0.5 mm.

This device is fully specified for partial-power-down applications using  $I_{off}$ . The  $I_{off}$  circuitry disables the outputs, preventing damaging current backflow through the device when it is powered down.

### 9.2 Functional Block Diagram



### 9.3 Feature Description

- Wide operating voltage range.
  - Operates From 1.65 V to 5.5 V.
- Allows Down voltage translation.
- Inputs accept voltages to 5.5 V.
- $I_{off}$  feature allows voltages on the inputs and outputs, when  $V_{CC}$  is 0 V.

### 9.4 Device Functional Modes

**Table 1. Function Table**

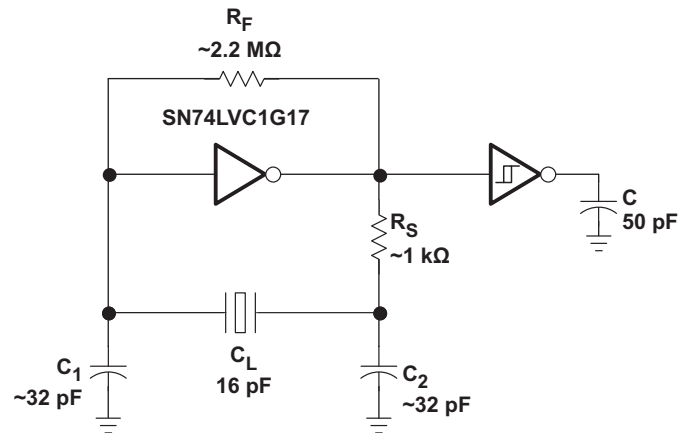
| INPUT<br>A | OUTPUT<br>Y |
|------------|-------------|
| H          | H           |
| L          | L           |

## 10 Applications and Implementation

### 10.1 Application Information

The SN74LVC1G14 is a high drive CMOS device that can be used for a multitude of buffer type functions where the input is slow or noisy. It can produce 24 mA of drive current at 3.3 V making it ideal for driving multiple outputs and good for high speed applications up to 100 MHz. The inputs are 5.5 V tolerant allowing it to translate down to  $V_{CC}$ .

### 10.2 Typical Application



#### 10.2.1 Design Requirements

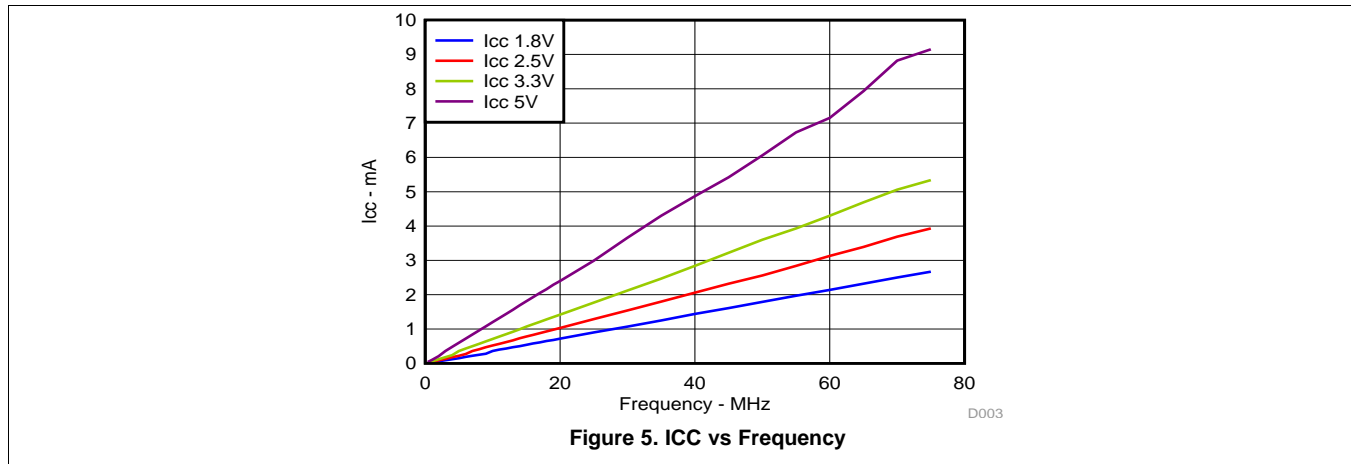
This device uses CMOS technology and has balanced output drive. Care should be taken to avoid bus contention because it can drive currents that would exceed maximum limits. The high drive will also create fast edges into light loads so routing and load conditions should be considered to prevent ringing.

#### 10.2.2 Detailed Design Procedure

1. Recommended Input Conditions
  - Rise time and fall time specs. See  $(\Delta t/\Delta V)$  in the [Recommended Operating Conditions](#) table.
  - Specified high and low levels. See  $(V_{IH}$  and  $V_{IL})$  in the [Recommended Operating Conditions](#) table.
  - Inputs are overvoltage tolerant allowing them to go as high as  $(V_I \text{ max})$  in the [Recommended Operating Conditions](#) table at any valid  $V_{CC}$ .
2. Recommend Output Conditions
  - Load currents should not exceed  $(I_O \text{ max})$  per output and should not exceed (continuous current through  $V_{CC}$  or GND) total current for the part. These limits are located in the [Absolute Max Ratings](#) table.
  - Outputs should not be pulled above  $V_{CC}$ .

Typical Application (continued)

10.2.3 Application Curves



11 Power Supply Recommendations

The power supply can be any voltage between the min and max supply voltage rating located in the [Recommended Operating Conditions](#) table.

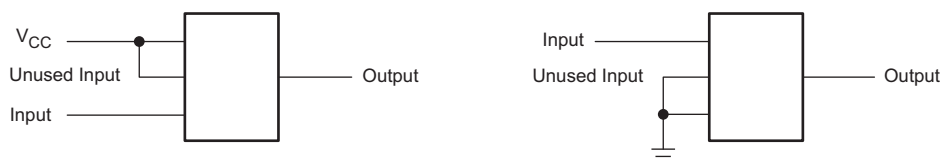
Each V<sub>cc</sub> pin should have a good bypass capacitor to prevent power disturbance. For devices with a single supply a 0.1-μF capacitor is recommended and if there are multiple V<sub>cc</sub> pins then a 0.01-μF or 0.022-μF capacitor is recommended for each power pin. It is ok to parallel multiple bypass caps to reject different frequencies of noise. 0.1-μF and 1-μF capacitors are commonly used in parallel. The bypass capacitor should be installed as close to the power pin as possible for best results.

12 Layout

12.1 Layout Guidelines

When using multiple bit logic devices inputs should not ever float. In many cases, functions or parts of functions of digital logic devices are unused, for example, when only two inputs of a triple-input AND gate are used or only 3 of the 4 buffer gates are used. Such input terminals should not be left unconnected because the undefined voltages at the outside connections result in undefined operational states. Specified below are the rules that must be observed under all circumstances. All unused inputs of digital logic devices must be connected to a high or low bias to prevent them from floating. The logic level that should be applied to any particular unused input depends on the function of the device. Generally they will be tied to Gnd or V<sub>cc</sub> whichever make more sense or is more convenient.

12.2 Layout Example



## 13 Device and Documentation Support

### 13.1 Trademarks

All trademarks are the property of their respective owners.

### 13.2 Electrostatic Discharge Caution



These devices have limited built-in ESD protection. The leads should be shorted together or the device placed in conductive foam during storage or handling to prevent electrostatic damage to the MOS gates.

### 13.3 Glossary

[SLYZ022](#) — *TI Glossary*.

This glossary lists and explains terms, acronyms and definitions.

## 14 Mechanical, Packaging, and Orderable Information

The following pages include mechanical packaging and orderable information. This information is the most current data available for the designated devices. This data is subject to change without notice and revision of this document. For browser-based versions of this data sheet, refer to the left-hand navigation.

**PACKAGING INFORMATION**

| Orderable Device  | Status<br>(1) | Package Type | Package Drawing | Pins | Package Qty | Eco Plan<br>(2)         | Lead/Ball Finish<br>(6) | MSL Peak Temp<br>(3) | Op Temp (°C) | Device Marking<br>(4/5)                              | Samples                 |
|-------------------|---------------|--------------|-----------------|------|-------------|-------------------------|-------------------------|----------------------|--------------|--|-------------------------|
| SN74LVC1G17DBVR   | ACTIVE        | SOT-23       | DBV             | 5    | 3000        | Green (RoHS & no Sb/Br) | CU NIPDAU   CU SN       | Level-1-260C-UNLIM   | -40 to 125   | (C175, C17F, C17J, C17K, C17R)<br>(C17H, C17P, C17S) | <a href="#">Samples</a> |
| SN74LVC1G17DBVRE4 | ACTIVE        | SOT-23       | DBV             | 5    | 3000        | Green (RoHS & no Sb/Br) | CU NIPDAU               | Level-1-260C-UNLIM   | -40 to 125   | C17F   | <a href="#">Samples</a> |
| SN74LVC1G17DBVRG4 | ACTIVE        | SOT-23       | DBV             | 5    | 3000        | Green (RoHS & no Sb/Br) | CU NIPDAU               | Level-1-260C-UNLIM   | -40 to 125   | C17F   | <a href="#">Samples</a> |
| SN74LVC1G17DBVT   | ACTIVE        | SOT-23       | DBV             | 5    | 250         | Green (RoHS & no Sb/Br) | CU NIPDAU   CU SN       | Level-1-260C-UNLIM   | -40 to 125   | (C175, C17F, C17J, C17K, C17R)<br>(C17H, C17P, C17S) | <a href="#">Samples</a> |
| SN74LVC1G17DBVTE4 | ACTIVE        | SOT-23       | DBV             | 5    | 250         | Green (RoHS & no Sb/Br) | CU NIPDAU               | Level-1-260C-UNLIM   | -40 to 125   | C17F   | <a href="#">Samples</a> |
| SN74LVC1G17DBVTG4 | ACTIVE        | SOT-23       | DBV             | 5    | 250         | Green (RoHS & no Sb/Br) | CU NIPDAU               | Level-1-260C-UNLIM   | -40 to 125   | C17F   | <a href="#">Samples</a> |
| SN74LVC1G17DCK3   | ACTIVE        | SC70         | DCK             | 5    | 3000        | Pb-Free (RoHS)          | CU SNBI                 | Level-1-260C-UNLIM   | -40 to 85    | (C7F, C7Z)   | <a href="#">Samples</a> |
| SN74LVC1G17DCKR   | ACTIVE        | SC70         | DCK             | 5    | 3000        | Green (RoHS & no Sb/Br) | CU NIPDAU   CU SN       | Level-1-260C-UNLIM   | -40 to 125   | (C75, C7F, C7J, C7K, C7R, C7T)<br>(C7H, C7P, C7S)    | <a href="#">Samples</a> |
| SN74LVC1G17DCKRE4 | ACTIVE        | SC70         | DCK             | 5    | 3000        | Green (RoHS & no Sb/Br) | CU NIPDAU               | Level-1-260C-UNLIM   | -40 to 125   | C75<br>C7S   | <a href="#">Samples</a> |
| SN74LVC1G17DCKRG4 | ACTIVE        | SC70         | DCK             | 5    | 3000        | Green (RoHS & no Sb/Br) | CU NIPDAU               | Level-1-260C-UNLIM   | -40 to 125   | C75<br>C7S   | <a href="#">Samples</a> |
| SN74LVC1G17DCKT   | ACTIVE        | SC70         | DCK             | 5    | 250         | Green (RoHS & no Sb/Br) | CU NIPDAU   CU SN       | Level-1-260C-UNLIM   | -40 to 125   | (C75, C7F, C7J, C7K, C7R, C7T)<br>(C7H, C7P, C7S)    | <a href="#">Samples</a> |
| SN74LVC1G17DCKTE4 | ACTIVE        | SC70         | DCK             | 5    | 250         | Green (RoHS & no Sb/Br) | CU NIPDAU               | Level-1-260C-UNLIM   | -40 to 125   | C75<br>C7S   | <a href="#">Samples</a> |
| SN74LVC1G17DCKTG4 | ACTIVE        | SC70         | DCK             | 5    | 250         | Green (RoHS & no Sb/Br) | CU NIPDAU               | Level-1-260C-UNLIM   | -40 to 125   | C75<br>C7S   | <a href="#">Samples</a> |
| SN74LVC1G17DPWR   | ACTIVE        | X2SON        | DPW             | 5    | 3000        | Green (RoHS & no Sb/Br) | CU NIPDAU               | Level-1-260C-UNLIM   | -40 to 125   | S4   | <a href="#">Samples</a> |

| Orderable Device  | Status<br>(1) | Package Type | Package Drawing | Pins | Package Qty | Eco Plan<br>(2)         | Lead/Ball Finish<br>(6) | MSL Peak Temp<br>(3) | Op Temp (°C) | Device Marking<br>(4/5) | Samples                 |
|-------------------|---------------|--------------|-----------------|------|-------------|-------------------------|-------------------------|----------------------|--------------|-------------------------|-------------------------|
| SN74LVC1G17DRLR   | ACTIVE        | SOT-5X3      | DRL             | 5    | 4000        | Green (RoHS & no Sb/Br) | CU NIPDAU   CU NIPDAUAG | Level-1-260C-UNLIM   | -40 to 125   | (C77, C7R)              | <a href="#">Samples</a> |
| SN74LVC1G17DRLRG4 | ACTIVE        | SOT-5X3      | DRL             | 5    | 4000        | Green (RoHS & no Sb/Br) | CU NIPDAU               | Level-1-260C-UNLIM   | -40 to 125   | (C77, C7R)              | <a href="#">Samples</a> |
| SN74LVC1G17DRYR   | ACTIVE        | SON          | DRY             | 6    | 5000        | Green (RoHS & no Sb/Br) | CU NIPDAU               | Level-1-260C-UNLIM   | -40 to 125   | C7                      | <a href="#">Samples</a> |
| SN74LVC1G17DSFR   | ACTIVE        | SON          | DSF             | 6    | 5000        | Green (RoHS & no Sb/Br) | CU NIPDAU   CU NIPDAUAG | Level-1-260C-UNLIM   | -40 to 125   | C7                      | <a href="#">Samples</a> |
| SN74LVC1G17YZPR   | ACTIVE        | DSBGA        | YZP             | 5    | 3000        | Green (RoHS & no Sb/Br) | SNAGCU                  | Level-1-260C-UNLIM   | -40 to 85    | C7N                     | <a href="#">Samples</a> |
| SN74LVC1G17YZVR   | ACTIVE        | DSBGA        | YZV             | 4    | 3000        | Green (RoHS & no Sb/Br) | SNAGCU                  | Level-1-260C-UNLIM   | -40 to 85    | C7<br>(7, N)            | <a href="#">Samples</a> |

(1) The marketing status values are defined as follows:

**ACTIVE:** Product device recommended for new designs.

**LIFEBUY:** TI has announced that the device will be discontinued, and a lifetime-buy period is in effect.

**NRND:** Not recommended for new designs. Device is in production to support existing customers, but TI does not recommend using this part in a new design.

**PREVIEW:** Device has been announced but is not in production. Samples may or may not be available.

**OBSOLETE:** TI has discontinued the production of the device.

(2) **RoHS:** TI defines "RoHS" to mean semiconductor products that are compliant with the current EU RoHS requirements for all 10 RoHS substances, including the requirement that RoHS substance do not exceed 0.1% by weight in homogeneous materials. Where designed to be soldered at high temperatures, "RoHS" products are suitable for use in specified lead-free processes. TI may reference these types of products as "Pb-Free".

**RoHS Exempt:** TI defines "RoHS Exempt" to mean products that contain lead but are compliant with EU RoHS pursuant to a specific EU RoHS exemption.

**Green:** TI defines "Green" to mean the content of Chlorine (Cl) and Bromine (Br) based flame retardants meet JS709B low halogen requirements of <=1000ppm threshold. Antimony trioxide based flame retardants must also meet the <=1000ppm threshold requirement.

(3) MSL, Peak Temp. - The Moisture Sensitivity Level rating according to the JEDEC industry standard classifications, and peak solder temperature.

(4) There may be additional marking, which relates to the logo, the lot trace code information, or the environmental category on the device.

(5) Multiple Device Markings will be inside parentheses. Only one Device Marking contained in parentheses and separated by a "~" will appear on a device. If a line is indented then it is a continuation of the previous line and the two combined represent the entire Device Marking for that device.

(6) Lead/Ball Finish - Orderable Devices may have multiple material finish options. Finish options are separated by a vertical ruled line. Lead/Ball Finish values may wrap to two lines if the finish value exceeds the maximum column width.

**Important Information and Disclaimer:** The information provided on this page represents TI's knowledge and belief as of the date that it is provided. TI bases its knowledge and belief on information provided by third parties, and makes no representation or warranty as to the accuracy of such information. Efforts are underway to better integrate information from third parties. TI has taken and continues to take reasonable steps to provide representative and accurate information but may not have conducted destructive testing or chemical analysis on incoming materials and chemicals. TI and TI suppliers consider certain information to be proprietary, and thus CAS numbers and other limited information may not be available for release.

In no event shall TI's liability arising out of such information exceed the total purchase price of the TI part(s) at issue in this document sold by TI to Customer on an annual basis.

**OTHER QUALIFIED VERSIONS OF SN74LVC1G17 :**

- Automotive: [SN74LVC1G17-Q1](#)
- Enhanced Product: [SN74LVC1G17-EP](#)

NOTE: Qualified Version Definitions:

- Automotive - Q100 devices qualified for high-reliability automotive applications targeting zero defects
- Enhanced Product - Supports Defense, Aerospace and Medical Applications

## TAPE AND REEL INFORMATION



### QUADRANT ASSIGNMENTS FOR PIN 1 ORIENTATION IN TAPE

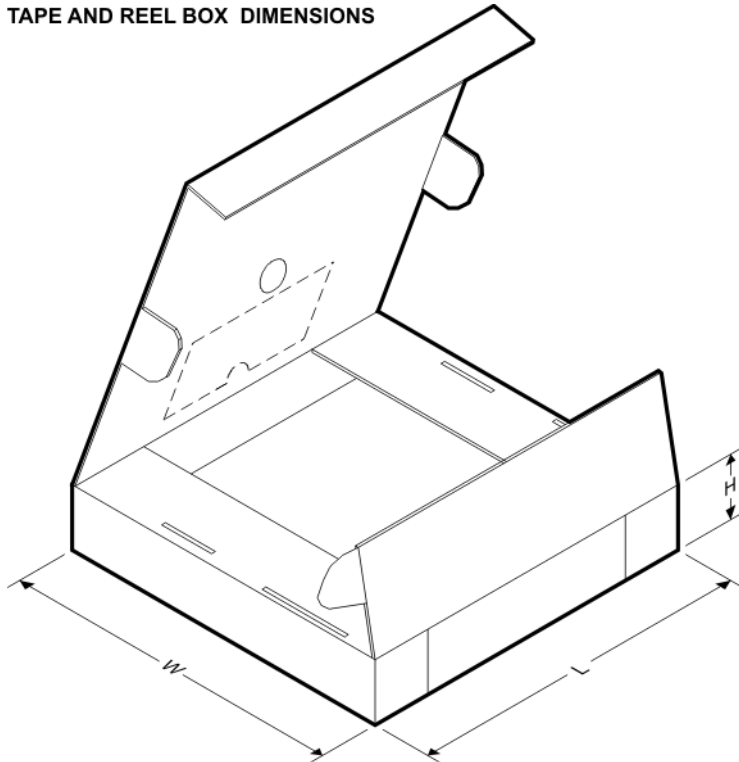


\*All dimensions are nominal

| Device            | Package Type | Package Drawing | Pins | SPQ  | Reel Diameter (mm) | Reel Width W1 (mm) | A0 (mm) | B0 (mm) | K0 (mm) | P1 (mm) | W (mm) | Pin1 Quadrant |
|-------------------|--------------|-----------------|------|------|--------------------|--------------------|---------|---------|---------|---------|--------|---------------|
| SN74LVC1G17DBVR   | SOT-23       | DBV             | 5    | 3000 | 178.0              | 9.0                | 3.3     | 3.2     | 1.4     | 4.0     | 8.0    | Q3            |
| SN74LVC1G17DBVR   | SOT-23       | DBV             | 5    | 3000 | 178.0              | 9.2                | 3.3     | 3.23    | 1.55    | 4.0     | 8.0    | Q3            |
| SN74LVC1G17DBVRG4 | SOT-23       | DBV             | 5    | 3000 | 178.0              | 9.0                | 3.23    | 3.17    | 1.37    | 4.0     | 8.0    | Q3            |
| SN74LVC1G17DBVT   | SOT-23       | DBV             | 5    | 250  | 178.0              | 9.0                | 3.3     | 3.2     | 1.4     | 4.0     | 8.0    | Q3            |
| SN74LVC1G17DBVT   | SOT-23       | DBV             | 5    | 250  | 178.0              | 9.2                | 3.3     | 3.23    | 1.55    | 4.0     | 8.0    | Q3            |
| SN74LVC1G17DBVT   | SOT-23       | DBV             | 5    | 250  | 178.0              | 9.0                | 3.23    | 3.17    | 1.37    | 4.0     | 8.0    | Q3            |
| SN74LVC1G17DBVTG4 | SOT-23       | DBV             | 5    | 250  | 178.0              | 9.0                | 3.23    | 3.17    | 1.37    | 4.0     | 8.0    | Q3            |
| SN74LVC1G17DCKR   | SC70         | DCK             | 5    | 3000 | 178.0              | 9.2                | 2.4     | 2.4     | 1.22    | 4.0     | 8.0    | Q3            |
| SN74LVC1G17DCKR   | SC70         | DCK             | 5    | 3000 | 178.0              | 9.0                | 2.4     | 2.5     | 1.2     | 4.0     | 8.0    | Q3            |
| SN74LVC1G17DCKRG4 | SC70         | DCK             | 5    | 3000 | 178.0              | 9.2                | 2.4     | 2.4     | 1.22    | 4.0     | 8.0    | Q3            |
| SN74LVC1G17DCKT   | SC70         | DCK             | 5    | 250  | 178.0              | 9.2                | 2.4     | 2.4     | 1.22    | 4.0     | 8.0    | Q3            |
| SN74LVC1G17DCKT   | SC70         | DCK             | 5    | 250  | 178.0              | 9.0                | 2.4     | 2.5     | 1.2     | 4.0     | 8.0    | Q3            |
| SN74LVC1G17DCKT   | SC70         | DCK             | 5    | 250  | 180.0              | 9.2                | 2.3     | 2.55    | 1.2     | 4.0     | 8.0    | Q3            |
| SN74LVC1G17DCKT   | SC70         | DCK             | 5    | 250  | 178.0              | 9.0                | 2.4     | 2.5     | 1.2     | 4.0     | 8.0    | Q3            |
| SN74LVC1G17DCKTG4 | SC70         | DCK             | 5    | 250  | 178.0              | 9.2                | 2.4     | 2.4     | 1.22    | 4.0     | 8.0    | Q3            |
| SN74LVC1G17DPWR   | X2SON        | DPW             | 5    | 3000 | 178.0              | 8.4                | 0.91    | 0.91    | 0.5     | 2.0     | 8.0    | Q3            |
| SN74LVC1G17DRLR   | SOT-5X3      | DRL             | 5    | 4000 | 180.0              | 8.4                | 1.98    | 1.78    | 0.69    | 4.0     | 8.0    | Q3            |
| SN74LVC1G17DRLR   | SOT-5X3      | DRL             | 5    | 4000 | 180.0              | 9.5                | 1.78    | 1.78    | 0.69    | 4.0     | 8.0    | Q3            |

| Device          | Package Type | Package Drawing | Pins | SPQ  | Reel Diameter (mm) | Reel Width W1 (mm) | A0 (mm) | B0 (mm) | K0 (mm) | P1 (mm) | W (mm) | Pin1 Quadrant |
|-----------------|--------------|-----------------|------|------|--------------------|--------------------|---------|---------|---------|---------|--------|---------------|
| SN74LVC1G17DRYR | SON          | DRY             | 6    | 5000 | 180.0              | 9.5                | 1.15    | 1.6     | 0.75    | 4.0     | 8.0    | Q1            |
| SN74LVC1G17DSFR | SON          | DSF             | 6    | 5000 | 180.0              | 9.5                | 1.16    | 1.16    | 0.5     | 4.0     | 8.0    | Q2            |
| SN74LVC1G17YZPR | DSBGA        | YZP             | 5    | 3000 | 178.0              | 9.2                | 1.02    | 1.52    | 0.63    | 4.0     | 8.0    | Q1            |
| SN74LVC1G17YZVR | DSBGA        | YZV             | 4    | 3000 | 178.0              | 9.2                | 1.0     | 1.0     | 0.63    | 4.0     | 8.0    | Q1            |

## TAPE AND REEL BOX DIMENSIONS



\*All dimensions are nominal

| Device            | Package Type | Package Drawing | Pins | SPQ  | Length (mm) | Width (mm) | Height (mm) |
|-------------------|--------------|-----------------|------|------|-------------|------------|-------------|
| SN74LVC1G17DBVR   | SOT-23       | DBV             | 5    | 3000 | 180.0       | 180.0      | 18.0        |
| SN74LVC1G17DBVR   | SOT-23       | DBV             | 5    | 3000 | 180.0       | 180.0      | 18.0        |
| SN74LVC1G17DBVRG4 | SOT-23       | DBV             | 5    | 3000 | 180.0       | 180.0      | 18.0        |
| SN74LVC1G17DBVT   | SOT-23       | DBV             | 5    | 250  | 180.0       | 180.0      | 18.0        |
| SN74LVC1G17DBVT   | SOT-23       | DBV             | 5    | 250  | 180.0       | 180.0      | 18.0        |
| SN74LVC1G17DBVT   | SOT-23       | DBV             | 5    | 250  | 180.0       | 180.0      | 18.0        |
| SN74LVC1G17DBVTG4 | SOT-23       | DBV             | 5    | 250  | 180.0       | 180.0      | 18.0        |
| SN74LVC1G17DCKR   | SC70         | DCK             | 5    | 3000 | 180.0       | 180.0      | 18.0        |
| SN74LVC1G17DCKR   | SC70         | DCK             | 5    | 3000 | 180.0       | 180.0      | 18.0        |
| SN74LVC1G17DCKRG4 | SC70         | DCK             | 5    | 3000 | 180.0       | 180.0      | 18.0        |
| SN74LVC1G17DCKT   | SC70         | DCK             | 5    | 250  | 180.0       | 180.0      | 18.0        |
| SN74LVC1G17DCKT   | SC70         | DCK             | 5    | 250  | 180.0       | 180.0      | 18.0        |
| SN74LVC1G17DCKT   | SC70         | DCK             | 5    | 250  | 205.0       | 200.0      | 33.0        |

| Device            | Package Type | Package Drawing | Pins | SPQ  | Length (mm) | Width (mm) | Height (mm) |
|-------------------|--------------|-----------------|------|------|-------------|------------|-------------|
| SN74LVC1G17DCKT   | SC70         | DCK             | 5    | 250  | 180.0       | 180.0      | 18.0        |
| SN74LVC1G17DCKTG4 | SC70         | DCK             | 5    | 250  | 180.0       | 180.0      | 18.0        |
| SN74LVC1G17DPWR   | X2SON        | DPW             | 5    | 3000 | 205.0       | 200.0      | 33.0        |
| SN74LVC1G17DRLR   | SOT-5X3      | DRL             | 5    | 4000 | 202.0       | 201.0      | 28.0        |
| SN74LVC1G17DRLR   | SOT-5X3      | DRL             | 5    | 4000 | 184.0       | 184.0      | 19.0        |
| SN74LVC1G17DRYR   | SON          | DRY             | 6    | 5000 | 184.0       | 184.0      | 19.0        |
| SN74LVC1G17DSFR   | SON          | DSF             | 6    | 5000 | 184.0       | 184.0      | 19.0        |
| SN74LVC1G17YZPR   | DSBGA        | YZP             | 5    | 3000 | 220.0       | 220.0      | 35.0        |
| SN74LVC1G17YZVR   | DSBGA        | YZV             | 4    | 3000 | 220.0       | 220.0      | 35.0        |

## GENERIC PACKAGE VIEW

DPW 5

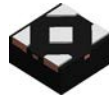
X2SON - 0.4 mm max height

PLASTIC SMALL OUTLINE - NO LEAD



Images above are just a representation of the package family, actual package may vary.  
Refer to the product data sheet for package details.

4211218-3/D



4223102/B 09/2017

NOTES:

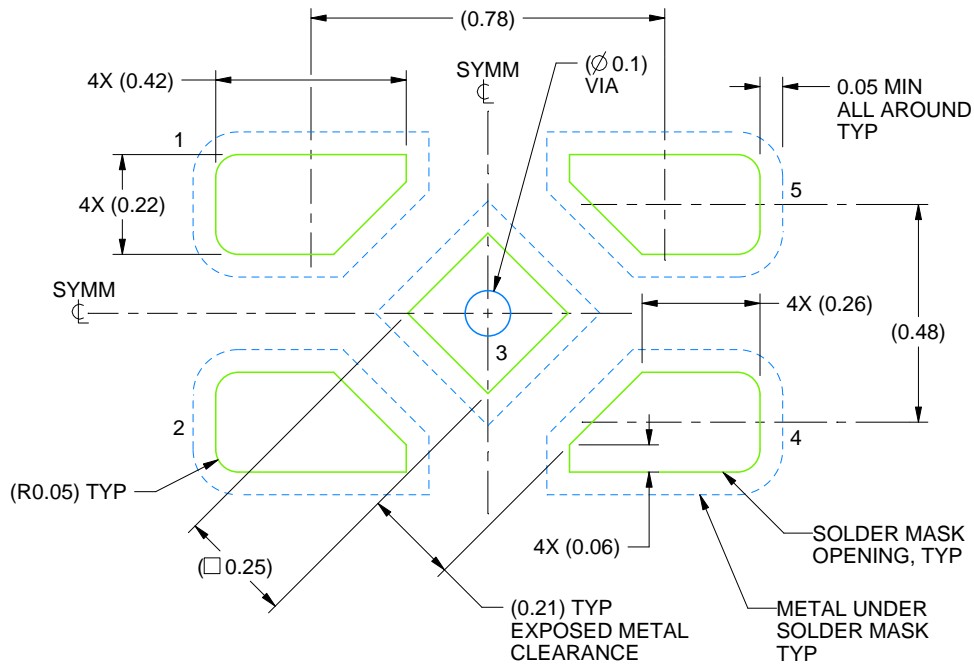
1. All linear dimensions are in millimeters. Any dimensions in parenthesis are for reference only. Dimensioning and tolerancing per ASME Y14.5M.
2. This drawing is subject to change without notice.
3. The size and shape of this feature may vary.

# EXAMPLE BOARD LAYOUT

DPW0005A

X2SON - 0.4 mm max height

PLASTIC SMALL OUTLINE - NO LEAD



LAND PATTERN EXAMPLE  
SOLDER MASK DEFINED  
SCALE:60X

4223102/B 09/2017

NOTES: (continued)

4. This package is designed to be soldered to a thermal pad on the board. For more information, refer to QFN/SON PCB application note in literature No. SLUA271 ([www.ti.com/lit/sluea271](http://www.ti.com/lit/sluea271)).

# EXAMPLE STENCIL DESIGN

DPW0005A

X2SON - 0.4 mm max height

PLASTIC SMALL OUTLINE - NO LEAD



SOLDER PASTE EXAMPLE  
BASED ON 0.1 mm THICK STENCIL

EXPOSED PAD  
92% PRINTED SOLDER COVERAGE BY AREA  
SCALE:100X

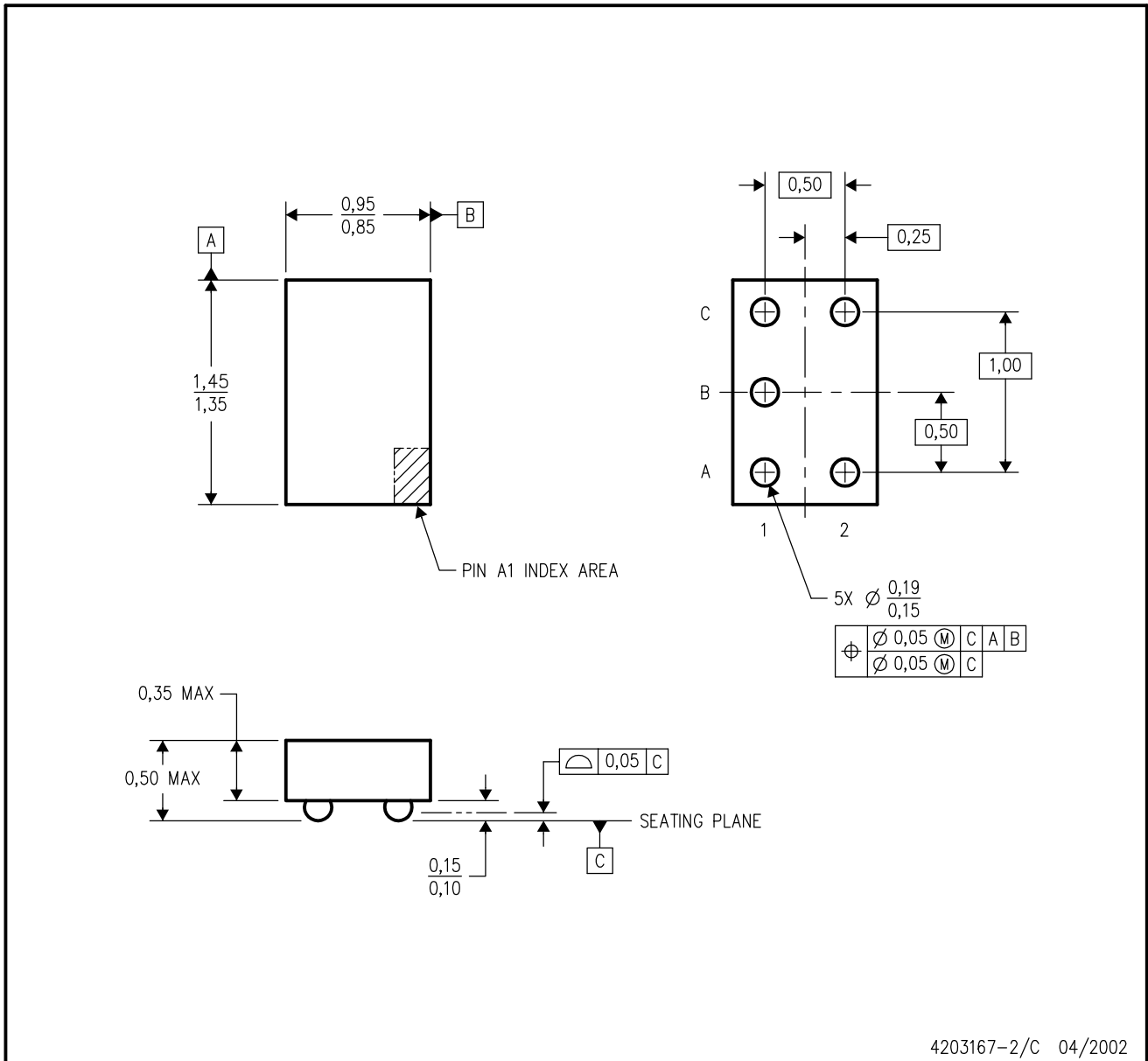
4223102/B 09/2017

NOTES: (continued)

5. Laser cutting apertures with trapezoidal walls and rounded corners may offer better paste release. IPC-7525 may have alternate design recommendations.

YEA (R-XBGA-N5)

DIE-SIZE BALL GRID ARRAY



- NOTES:
- A. All linear dimensions are in millimeters.
  - B. This drawing is subject to change without notice.
  - C. NanoStar™ package configuration.
  - D. Package complies to JEDEC MO-211 variation EA.
  - E. This package is tin-lead (SnPb). Refer to the 5 YZA package (drawing 4204151) for lead-free.

NanoStar is a trademark of Texas Instruments.

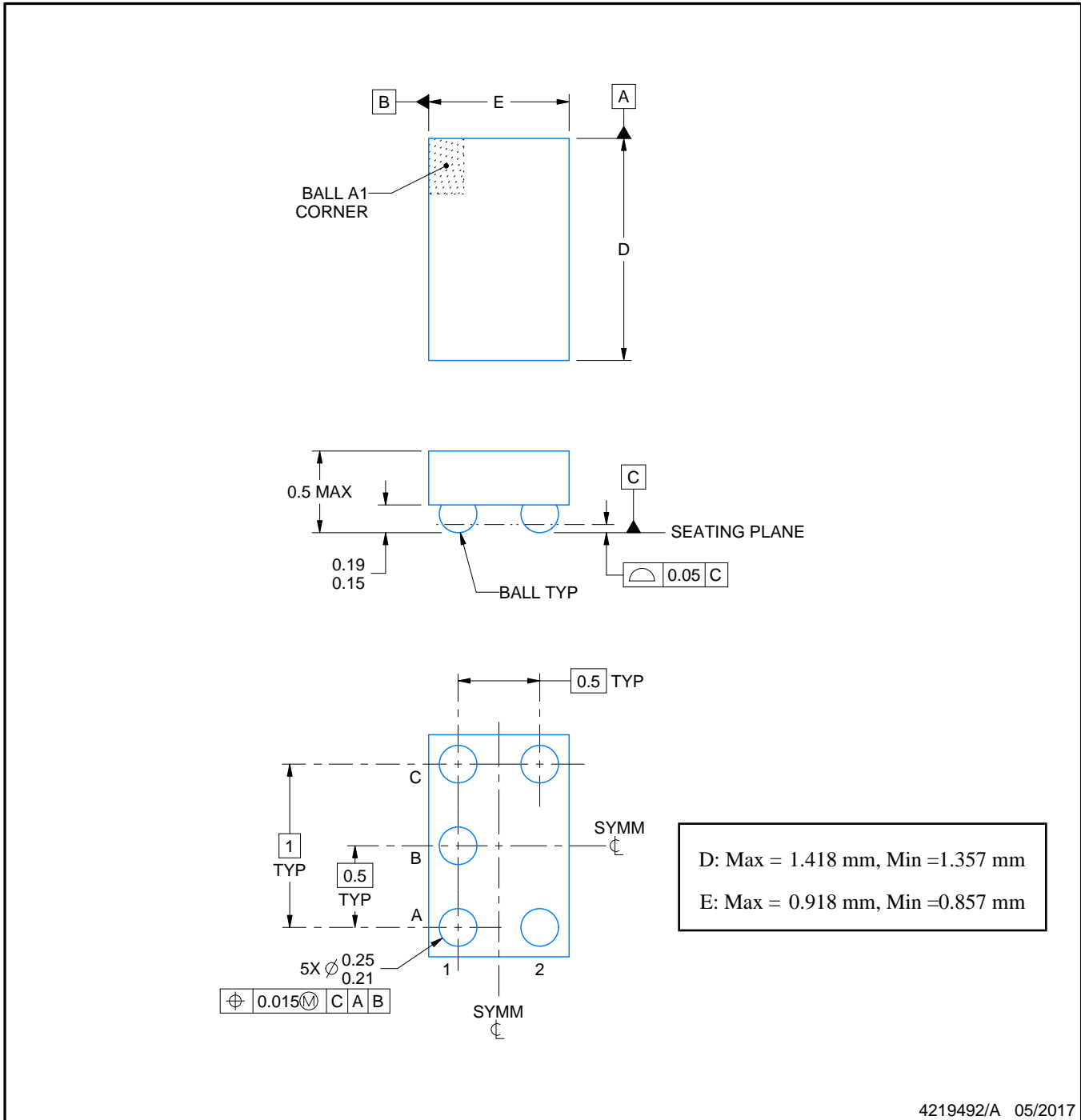
YZP0005



# PACKAGE OUTLINE

DSBGA - 0.5 mm max height

DIE SIZE BALL GRID ARRAY



4219492/A 05/2017

NOTES:

1. All linear dimensions are in millimeters. Any dimensions in parenthesis are for reference only. Dimensioning and tolerancing per ASME Y14.5M.
2. This drawing is subject to change without notice.

# EXAMPLE BOARD LAYOUT

YZP0005

DSBGA - 0.5 mm max height

DIE SIZE BALL GRID ARRAY



LAND PATTERN EXAMPLE  
SCALE:40X



SOLDER MASK DETAILS  
NOT TO SCALE

4219492/A 05/2017

NOTES: (continued)

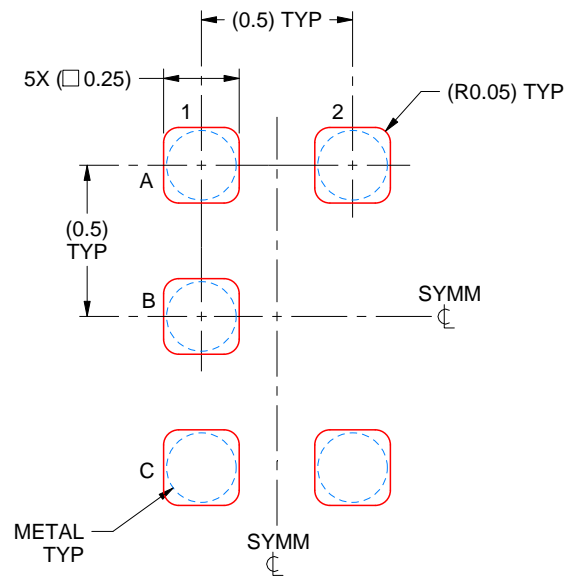
- Final dimensions may vary due to manufacturing tolerance considerations and also routing constraints. For more information, see Texas Instruments literature number SNVA009 ([www.ti.com/lit/snva009](http://www.ti.com/lit/snva009)).

# EXAMPLE STENCIL DESIGN

YZP0005

DSBGA - 0.5 mm max height

DIE SIZE BALL GRID ARRAY



SOLDER PASTE EXAMPLE  
BASED ON 0.1 mm THICK STENCIL  
SCALE:40X

4219492/A 05/2017

NOTES: (continued)

4. Laser cutting apertures with trapezoidal walls and rounded corners may offer better paste release.

YZV (S-XBGA-N4)

DIE-SIZE BALL GRID ARRAY



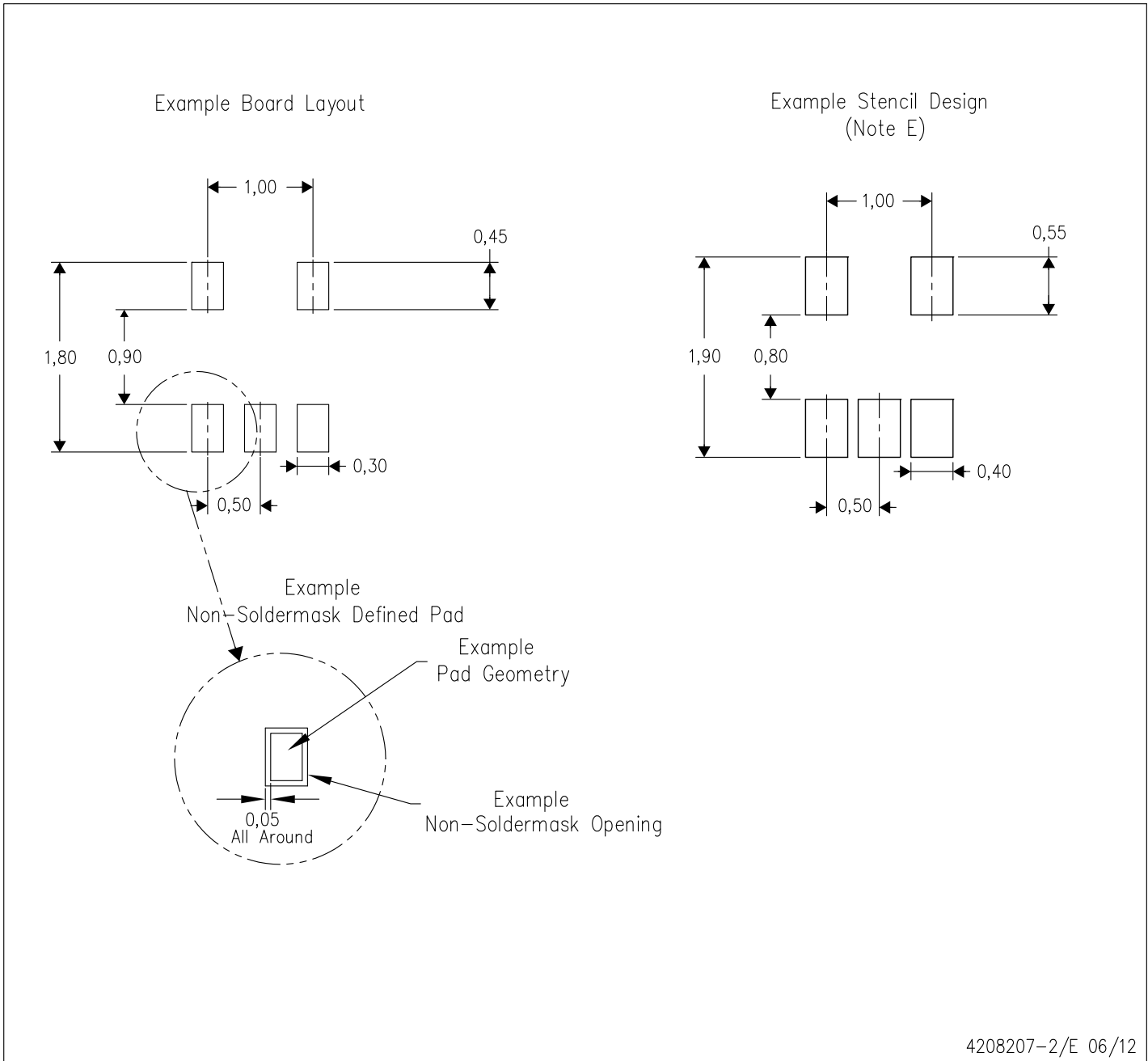
- NOTES:
- A. All linear dimensions are in millimeters. Dimensioning and tolerancing per ASME Y14.5M-1994.
  - B. This drawing is subject to change without notice.
  - C. NanoFree™ package configuration.

NanoFree is a trademark of Texas Instruments.



4205622-2/D 08/2007

- NOTES:
- A. All linear dimensions are in millimeters. Dimensioning and tolerancing per ASME Y14.5M-1994.
  - B. This drawing is subject to change without notice.
  - C. Body dimensions do not include mold flash, interlead flash, protrusions, or gate burrs. Mold flash, interlead flash, protrusions, or gate burrs shall not exceed 0,15 per end or side.
  - D. JEDEC package registration is pending.



- NOTES:
- A. All linear dimensions are in millimeters.
  - B. This drawing is subject to change without notice.
  - C. Publication IPC-7351 is recommended for alternate designs.
  - D. Customers should contact their board fabrication site for minimum solder mask web tolerances between signal pads.
  - E. Maximum stencil thickness 0,127 mm (5 mils). All linear dimensions are in millimeters.
  - F. Laser cutting apertures with trapezoidal walls and also rounding corners will offer better paste release. Customers should contact their board assembly site for stencil design recommendations. Refer to IPC 7525 for stencil design considerations.
  - G. Side aperture dimensions over-print land for acceptable area ratio > 0.66. Customer may reduce side aperture dimensions if stencil manufacturing process allows for sufficient release at smaller opening.



# EXAMPLE BOARD LAYOUT

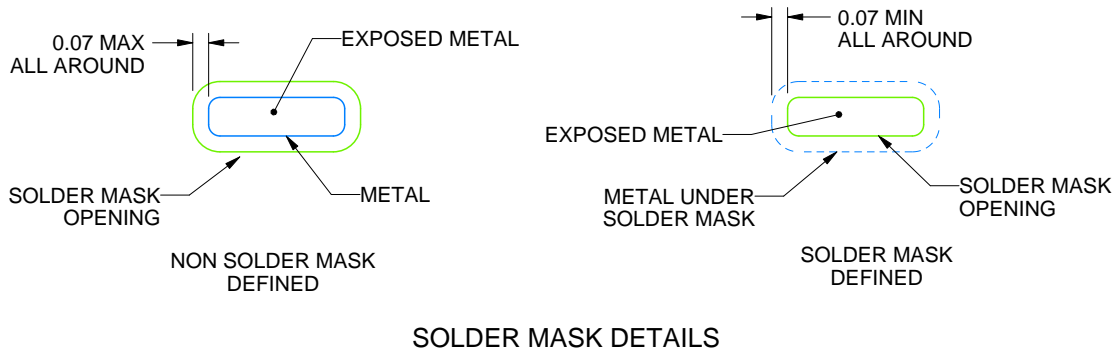
DSF0006A

X2SON - 0.4 mm max height

PLASTIC SMALL OUTLINE - NO LEAD



LAND PATTERN EXAMPLE  
EXPOSED METAL SHOWN  
SCALE:40X



SOLDER MASK DETAILS

4220597/A 06/2017

NOTES: (continued)

4. For more information, see Texas Instruments literature number SLUA271 ([www.ti.com/lit/slua271](http://www.ti.com/lit/slua271)).

# EXAMPLE STENCIL DESIGN

DSF0006A

X2SON - 0.4 mm max height

PLASTIC SMALL OUTLINE - NO LEAD



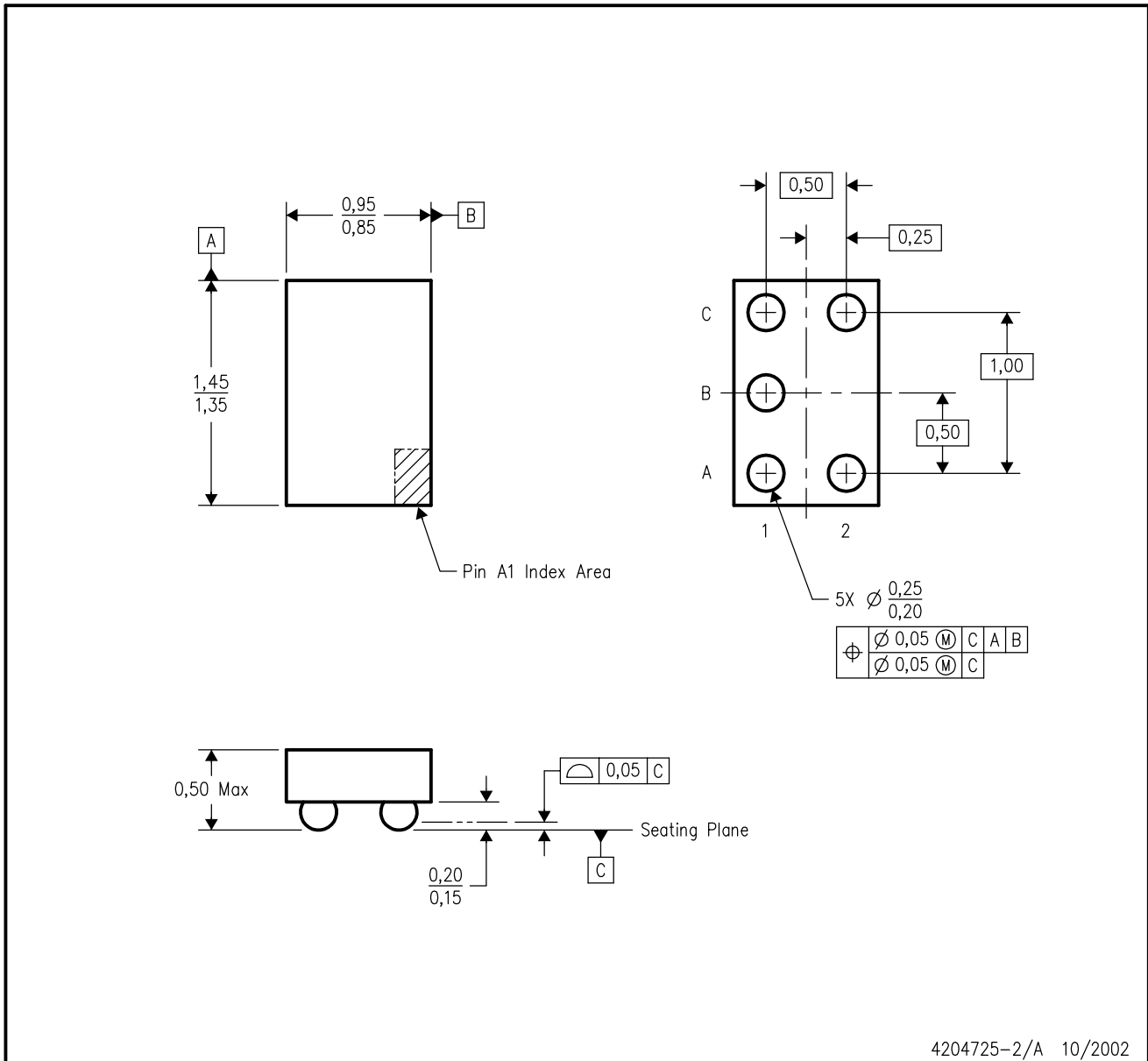
SOLDER PASTE EXAMPLE  
BASED ON 0.125 mm THICK STENCIL  
PRINTED SOLDER COVERAGE BY AREA UNDER PACKAGE  
SCALE:40X

4220597/A 06/2017

4. Laser cutting apertures with trapezoidal walls and rounded corners may offer better paste release. IPC-7525 may have alternate design recommendations.

YEP (R-XBGA-N5)

DIE-SIZE BALL GRID ARRAY

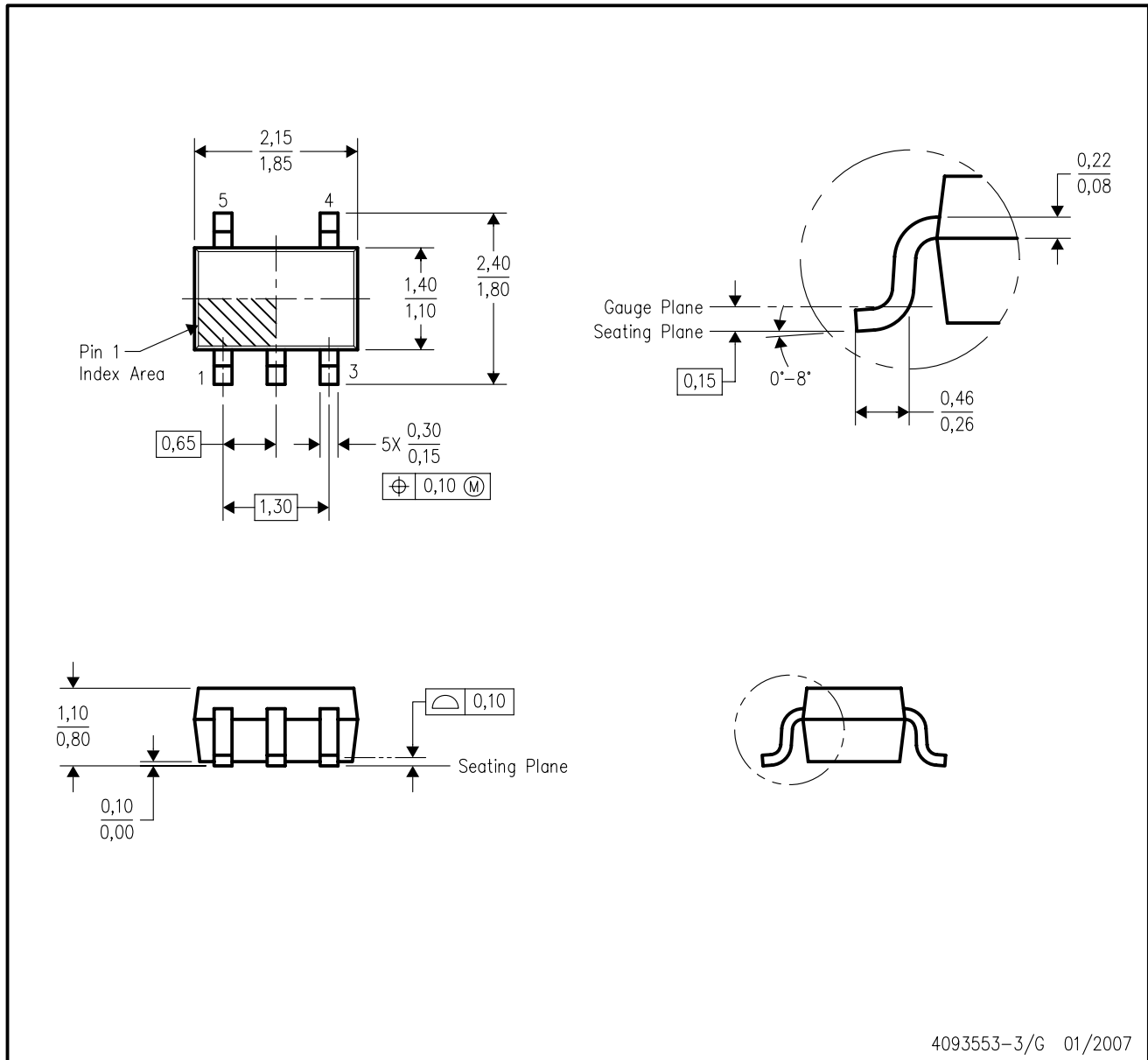


- NOTES:
- A. All linear dimensions are in millimeters.
  - B. This drawing is subject to change without notice.
  - C. NanoStar™ package configuration.
  - D. This package is tin-lead (SnPb). Refer to the 5 YZP package (drawing 4204741) for lead-free.

NanoStar is a trademark of Texas Instruments.

DCK (R-PDSO-G5)

PLASTIC SMALL-OUTLINE PACKAGE



- NOTES:
- A. All linear dimensions are in millimeters.
  - B. This drawing is subject to change without notice.
  - C. Body dimensions do not include mold flash or protrusion. Mold flash and protrusion shall not exceed 0.15 per side.
  - D. Falls within JEDEC MO-203 variation AA.

DCK (R-PDSO-G5)

PLASTIC SMALL OUTLINE



- NOTES:
- All linear dimensions are in millimeters.
  - This drawing is subject to change without notice.
  - Customers should place a note on the circuit board fabrication drawing not to alter the center solder mask defined pad.
  - Publication IPC-7351 is recommended for alternate designs.
  - Laser cutting apertures with trapezoidal walls and also rounding corners will offer better paste release. Customers should contact their board assembly site for stencil design recommendations. Example stencil design based on a 50% volumetric metal load solder paste. Refer to IPC-7525 for other stencil recommendations.

## GENERIC PACKAGE VIEW

**DRY 6**

**USON - 0.6 mm max height**

PLASTIC SMALL OUTLINE - NO LEAD



Images above are just a representation of the package family, actual package may vary.  
Refer to the product data sheet for package details.

4207181/G



# EXAMPLE BOARD LAYOUT

DRY0006A

USON - 0.6 mm max height

PLASTIC SMALL OUTLINE - NO LEAD



**LAND PATTERN EXAMPLE**  
1:1 RATIO WITH PKG SOLDER PADS  
EXPOSED METAL SHOWN  
SCALE:40X



**SOLDER MASK DETAILS**

4222894/A 01/2018

NOTES: (continued)

3. For more information, see QFN/SON PCB application report in literature No. SLUA271 ([www.ti.com/lit/sluea271](http://www.ti.com/lit/sluea271)).

# EXAMPLE STENCIL DESIGN

DRY0006A

USON - 0.6 mm max height

PLASTIC SMALL OUTLINE - NO LEAD



SOLDER PASTE EXAMPLE  
BASED ON 0.075 - 0.1 mm THICK STENCIL  
SCALE:40X

4222894/A 01/2018

NOTES: (continued)

4. Laser cutting apertures with trapezoidal walls and rounded corners may offer better paste release. IPC-7525 may have alternate design recommendations.

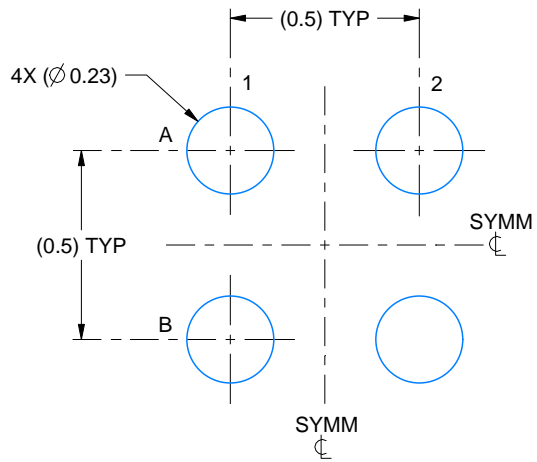


# EXAMPLE BOARD LAYOUT

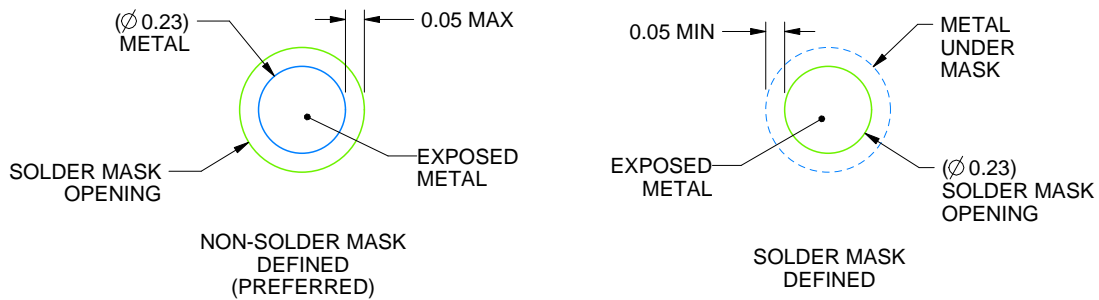
YZT0004

DSBGA - 0.625 mm max height

DIE SIZE BALL GRID ARRAY



LAND PATTERN EXAMPLE  
EXPOSED METAL SHOWN  
SCALE:50X



SOLDER MASK DETAILS  
NOT TO SCALE

4219477/A 05/2017

NOTES: (continued)

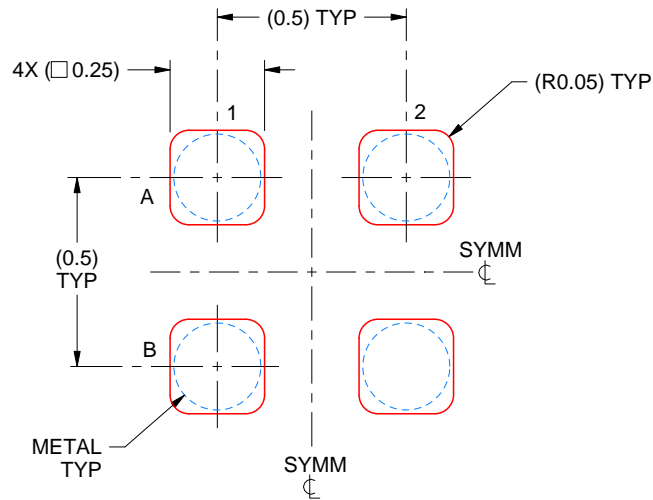
- Final dimensions may vary due to manufacturing tolerance considerations and also routing constraints. Refer to Texas Instruments Literature No. SNVA009 ([www.ti.com/lit/snva009](http://www.ti.com/lit/snva009)).

# EXAMPLE STENCIL DESIGN

YZT0004

DSBGA - 0.625 mm max height

DIE SIZE BALL GRID ARRAY



SOLDER PASTE EXAMPLE  
BASED ON 0.1 mm THICK STENCIL  
SCALE:50X

4219477/A 05/2017

NOTES: (continued)

4. Laser cutting apertures with trapezoidal walls and rounded corners may offer better paste release.

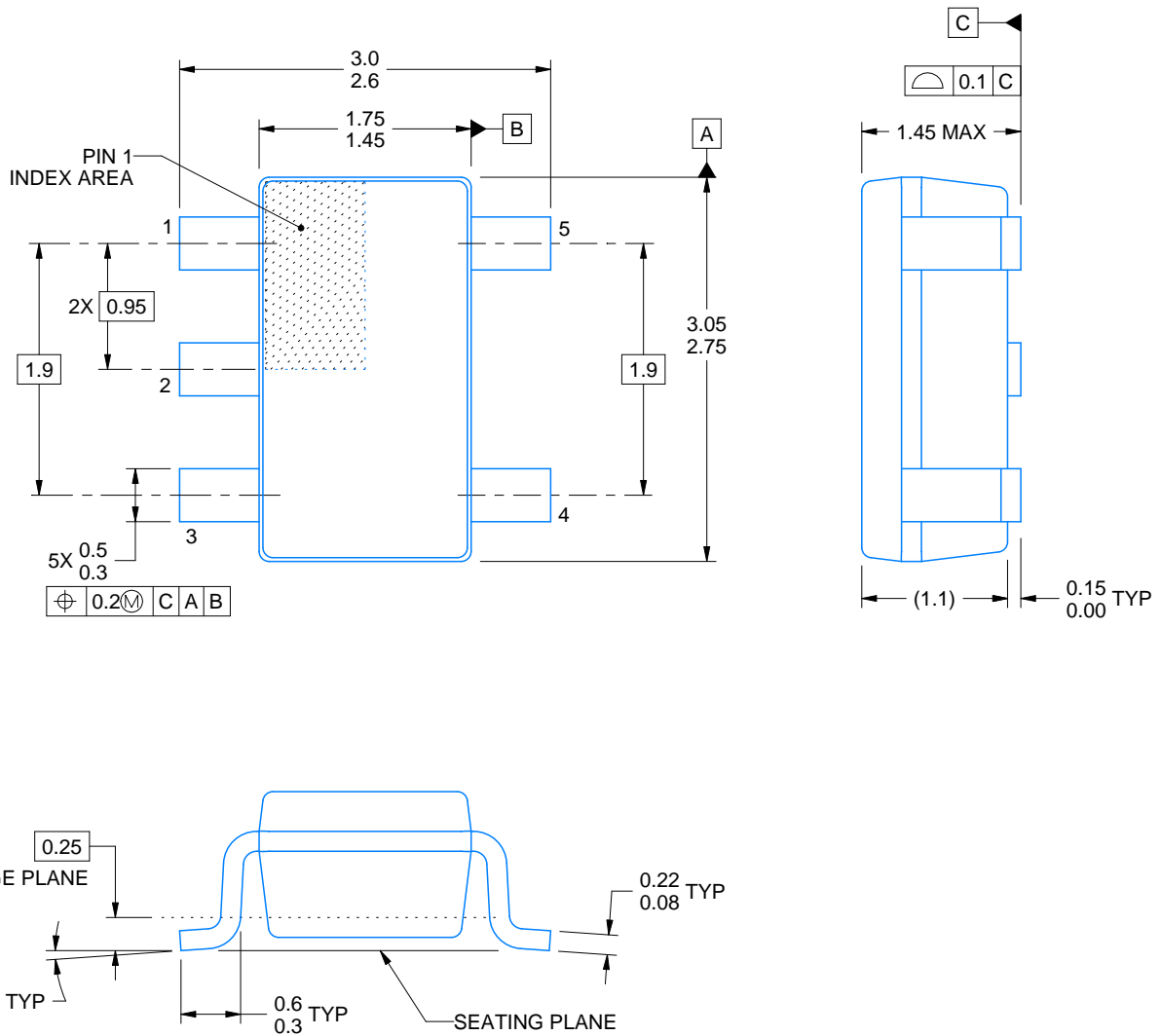
DBV0005A



# PACKAGE OUTLINE

SOT-23 - 1.45 mm max height

SMALL OUTLINE TRANSISTOR



4214839/D 11/2018

NOTES:

1. All linear dimensions are in millimeters. Any dimensions in parenthesis are for reference only. Dimensioning and tolerancing per ASME Y14.5M.
2. This drawing is subject to change without notice.
3. Reference JEDEC MO-178.
4. Body dimensions do not include mold flash, protrusions, or gate burrs. Mold flash, protrusions, or gate burrs shall not exceed 0.15 mm per side.

# EXAMPLE BOARD LAYOUT

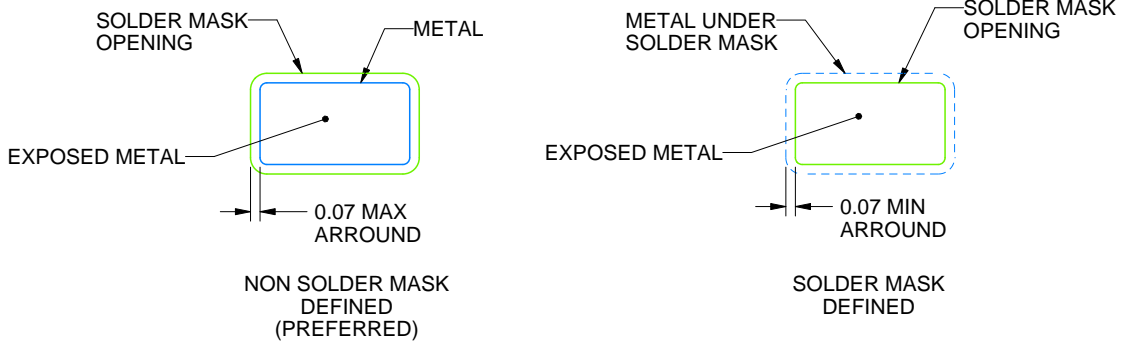
DBV0005A

SOT-23 - 1.45 mm max height

SMALL OUTLINE TRANSISTOR



LAND PATTERN EXAMPLE  
EXPOSED METAL SHOWN  
SCALE:15X



SOLDER MASK DETAILS

4214839/D 11/2018

NOTES: (continued)

5. Publication IPC-7351 may have alternate designs.
6. Solder mask tolerances between and around signal pads can vary based on board fabrication site.

# EXAMPLE STENCIL DESIGN

DBV0005A

SOT-23 - 1.45 mm max height

SMALL OUTLINE TRANSISTOR



SOLDER PASTE EXAMPLE  
BASED ON 0.125 mm THICK STENCIL  
SCALE:15X

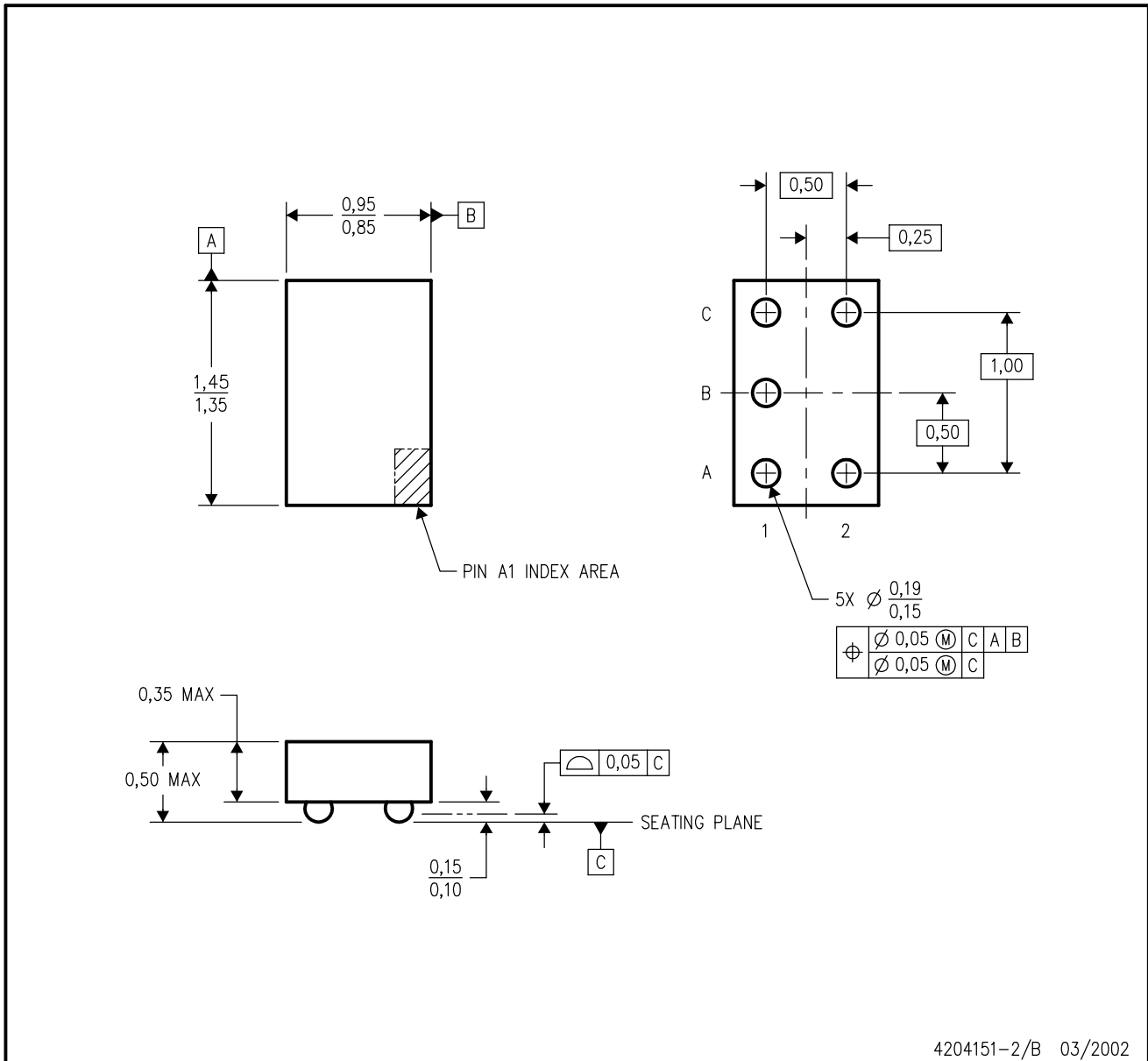
4214839/D 11/2018

NOTES: (continued)

7. Laser cutting apertures with trapezoidal walls and rounded corners may offer better paste release. IPC-7525 may have alternate design recommendations.
8. Board assembly site may have different recommendations for stencil design.

YZA (R-XBGA-N5)

DIE-SIZE BALL GRID ARRAY



- NOTES:
- A. All linear dimensions are in millimeters.
  - B. This drawing is subject to change without notice.
  - C. NanoFree™ package configuration.
  - D. Package complies to JEDEC MO-211 variation EA.
  - E. This package is lead-free. Refer to the 5 YEA package (drawing 4203167) for tin-lead (SnPb).

NanoFree is a trademark of Texas Instruments.

## IMPORTANT NOTICE AND DISCLAIMER

TI PROVIDES TECHNICAL AND RELIABILITY DATA (INCLUDING DATASHEETS), DESIGN RESOURCES (INCLUDING REFERENCE DESIGNS), APPLICATION OR OTHER DESIGN ADVICE, WEB TOOLS, SAFETY INFORMATION, AND OTHER RESOURCES "AS IS" AND WITH ALL FAULTS, AND DISCLAIMS ALL WARRANTIES, EXPRESS AND IMPLIED, INCLUDING WITHOUT LIMITATION ANY IMPLIED WARRANTIES OF MERCHANTABILITY, FITNESS FOR A PARTICULAR PURPOSE OR NON-INFRINGEMENT OF THIRD PARTY INTELLECTUAL PROPERTY RIGHTS.

These resources are intended for skilled developers designing with TI products. You are solely responsible for (1) selecting the appropriate TI products for your application, (2) designing, validating and testing your application, and (3) ensuring your application meets applicable standards, and any other safety, security, or other requirements. These resources are subject to change without notice. TI grants you permission to use these resources only for development of an application that uses the TI products described in the resource. Other reproduction and display of these resources is prohibited. No license is granted to any other TI intellectual property right or to any third party intellectual property right. TI disclaims responsibility for, and you will fully indemnify TI and its representatives against, any claims, damages, costs, losses, and liabilities arising out of your use of these resources.

TI's products are provided subject to TI's Terms of Sale ([www.ti.com/legal/termsofsale.html](http://www.ti.com/legal/termsofsale.html)) or other applicable terms available either on [ti.com](http://ti.com) or provided in conjunction with such TI products. TI's provision of these resources does not expand or otherwise alter TI's applicable warranties or warranty disclaimers for TI products.

Mailing Address: Texas Instruments, Post Office Box 655303, Dallas, Texas 75265  
Copyright © 2019, Texas Instruments Incorporated

## Looking for pricing, stock, or lifecycle information?

Click below to explore more details on WIN SOURCE:

 [View SN74LVC1G17DBVRG4 on WIN SOURCE](#)

 [Texas Instruments](#) Information

## Optimize Your Supply Chain with WIN SOURCE Solutions

-  Global Sourcing Solution
-  Obsolete Management
-  Cost Control Management
-  Shortage Management
-  Alternative Solution
-  Excess Inventory Management