



THE DATASHEET OF SP232EEN-L





General Description

The SP202E, SP232E and SP233E devices are a family of line driver and receiver pairs that meets the specifications of RS-232 and V.28 serial protocols. The devices are pin-to-pin compatible with MaxLinear's SP232A and SP233A devices as well as popular industry standard pinouts. The ESD tolerance has been improved on these devices to over $\pm 15\text{kV}$ for Human Body Model. This series offers a 120kbps data rate under load, small ceramic type 0.1 μF charge pump capacitors and overall ruggedness for commercial applications. Features include MaxLinear's BiCMOS design which allows low power operation without sacrificing performance. The series is available in lead free packages and includes commercial and industrial temperature ranges.

Features

- Operates from a single +5V power supply
- Meets all RS-232D and ITU V.28 specifications
- Operates with 0.1 μF to 10 μF ceramic capacitors
- No external capacitors required (SP233E)
- High data rate - 120kbps under load
- Low power CMOS operation
- Lead-free packaging
- Improved ESD specifications: $\pm 15\text{kV}$ Human Body Model

Ordering Information - [page 13](#)

Selection Table

Table 1: Selection Table

Model	Number of RS-232		Number of external 0.1 μF capacitors
	Drivers	Receivers	
SP202E	2	2	4
SP232E	2	2	4
SP233E	2	2	0

Revision History

Document No.	Release Date	Change Description
A	7/19/04	Original Sipex Data Sheet.
1.0.0	11/6/08	Generate new Data Sheet using Exar format and change revision to 1.0.0. Remove IEC Air and Contact ESD ratings. Update ordering information to remove EOL part numbers. Update charge pump description to show regulated charge pump design.
1.0.1	6/3/11	Remove SP310ECP-L and SP310EEP-L per PDN 110510-01
1.0.2	3/28/19	Update to MaxLinear format. Update ordering information. Moved ESD ratings to under Absolute Maximum Ratings. Removed obsolete SP310E and SP312E.

Table of Contents

General Description	i
Features	i
Selection Table	i
Specifications	1
Absolute Maximum Ratings.....	1
ESD Ratings.....	1
Electrical Characteristics	2
Performance Curves	3
Pin Information	4
Pin Configurations	4
Description	5
Theory Of Operation.....	5
Drivers	5
Receivers	5
Charge pump.....	5
Phase 1	5
Phase 2	5
Phase 3	6
Phase 4	6
Pin Strapping for the SP233E	7
ESD Tolerance	7
Typical Performance Characteristics	8
Mechanical Dimensions	10
NSOIC16	10
Mechanical Dimensions	11
WSOIC16	11
Mechanical Dimensions	12
WSOIC20	12
Ordering Information	13

List of Figures

Figure 1: V- Voltage.....	3
Figure 2: V+ Voltage.....	3
Figure 3: I_{CC} vs. Temperature	3
Figure 4: V_{OH} vs. V_{CC}	3
Figure 5: SP202E Pin Configuration.....	4
Figure 6: SP232E Pin Configuration.....	4
Figure 7: SP233E Pin Configuration.....	4
Figure 8: Charge Pump Phases	6
Figure 9: ESD Test Circuit for Human Body Model	7
Figure 10: SP232E Charge Pump Waveforms, No Load, (1 = C1+, 2 = C2+, 3 = V+, 4 = V-).....	8
Figure 11: SP232E Charge Pump Waveforms, When Fully Loaded with 3k Ω (1 = C1+, 2 = C2+, 3 = V+, 4 = V-).....	8
Figure 12: Loopback Results at 60kHz and 2500pF load, (1 = TX _{IN} , 2 = TX _{OUT} /RX _{IN} , 3 = RX _{OUT}).....	8
Figure 13: Charge Pump Outputs, at Start Up (1 = V _{CC} , 2 = V+, 3 = V-).....	8
Figure 14: SP202E and SP232E Typical Application Circuit.....	9
Figure 15: SP233E Typical Application Circuit	9
Figure 16: Mechanical Dimension, NSOIC16.....	10
Figure 17: Mechanical Dimensions, WSOIC16	11
Figure 18: Mechanical Dimensions, WSOIC20	12

List of Tables

Table 1: Selection Table	i
Table 2: Absolute Maximum Ratings	1
Table 3: ESD Ratings	1
Table 4: Electrical Characteristics	2
Table 5: SP233E Pin Strapping	7
Table 6: Ordering Information.....	13

Specifications

Absolute Maximum Ratings

Important: This is a stress rating only and functional operation of the device at these ratings or any other above those indicated in the operation section of the specification is not implied. Exposure to absolute maximum ratings conditions for extended periods of time may affect reliability.

Table 2: Absolute Maximum Ratings

Parameter	Minimum	Maximum	Units
Supply voltage (V_{CC})		6.0	V
V+	$V_{CC} - 0.3$	11.0	V
V-	-11.0		V
Input Voltages			
T_{IN}	-0.3	$V_{CC} + 0.3$	V
R_{IN}	-15	15	V
Output Voltages			
T_{OUT}	V+, 0.3V	V-, -0.3V	V
R_{OUT}	-0.3	$V_{CC} + 0.3$	V
Short Circuit Duration			
T_{OUT}		Continuous	
Package Power Dissipation			
Small outline (derate 7mW/°C above 70°C)		375	mW
Storage temperature	-65	150	°C

ESD Ratings

Table 3: ESD Ratings

Parameter	Limit	Units
HBM (Human Body Model)	±15	kV

Electrical Characteristics

$V_{CC} = 5V \pm 10\%$, $0.1\mu F$ charge pump capacitors, T_{MIN} to T_{MAX} , unless otherwise noted. Typical values are $V_{CC} = 5V$ and $T_A = 25^\circ C$

Table 4: Electrical Characteristics

Parameter	Test Condition	Minimum	Typical	Maximum	Units
TTL Input					
Logic threshold LOW	$T_{IN}, \overline{EN}, \overline{SD}, ON/\overline{OFF}$			0.8	V
Logic threshold HIGH	$T_{IN}, \overline{EN}, \overline{SD}, ON/\overline{OFF}$	2.0			V
Logic pull-up current	$T_{IN} = 0V$		15	200	μA
TTL Output					
Output voltage LOW	$I_{OUT} = 3.2mA, V_{CC} = 5V$			0.4	V
Output voltage HIGH	$I_{OUT} = -1.0mA$	3.5			V
RS-232 Output					
Output voltage swing	All transmitter outputs loaded with $3k\Omega$ to GND	± 5.0	± 6.0		V
Output resistance	$V_{CC} = 0V, V_{OUT} = \pm 2V$	300			Ω
Output short circuit current	Infinite duration		± 18		mA
Maximum data rate	$C_L = 2500pF, R_L = 3k\Omega$	120	240		kbps
RS-232 Input					
Voltage range		-15		15	V
Voltage threshold LOW	$V_{CC} = 5V, T_A = 25^\circ C$	0.8	1.2		V
Voltage threshold HIGH	$V_{CC} = 5V, T_A = 25^\circ C$		1.7	2.8	V
Hysteresis	$V_{CC} = 5V, T_A = 25^\circ C$	0.2	0.5	1.0	V
Resistance	$T_A = 25^\circ C, -15V \leq V_{IN} \leq 15V$	3	5	7	$k\Omega$
Dynamic Characteristics					
Driver propagation delay	TTL to RS-232; $C_L = 50pF$		1.5	3.0	μs
Receiver propagation delay	RS-232 to TTL		0.1	1.0	μs
Instantaneous slew rate	$C_L = 10pF, R_L = 3-7k\Omega, T_A = 25^\circ C$			30	V/ μs
Transition region slew rate	$C_L = 2500pF, R_L = 3k\Omega$, measured from 3V to -3V or -3V to 3V		10		V/ μs
Power Requirements					
V_{CC} power supply current	No load, $V_{CC} = 5V, T_A = 25^\circ C$		3	5	mA
V_{CC} power supply current, loaded	All transmitters $R_L = 3k\Omega, T_A = 25^\circ C$		15		mA

Performance Curves

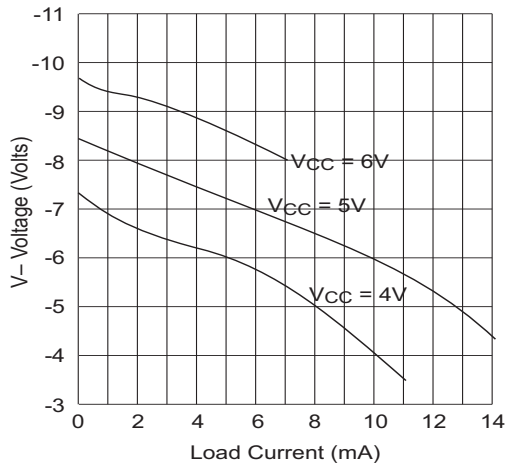


Figure 1: V- Voltage

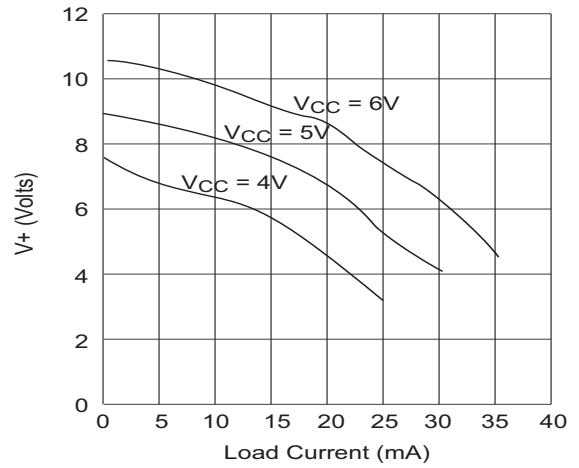


Figure 2: V+ Voltage

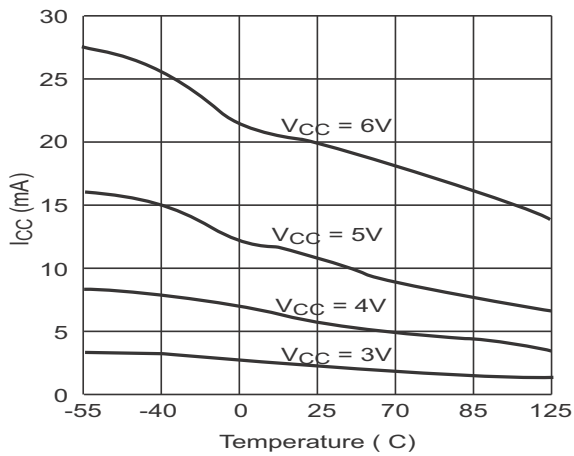


Figure 3: I_{CC} vs. Temperature

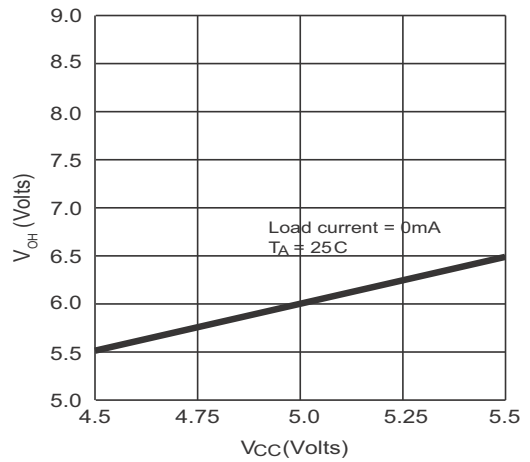


Figure 4: V_{OH} vs. V_{CC}

Pin Information

Pin Configurations

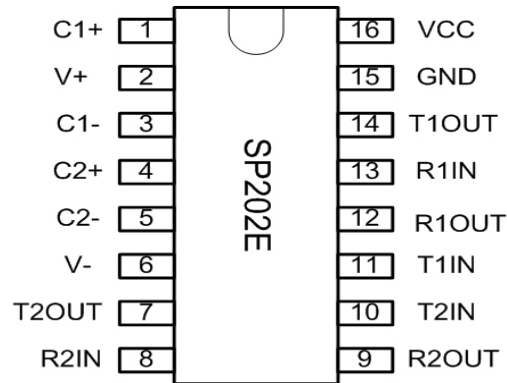


Figure 5: SP202E Pin Configuration

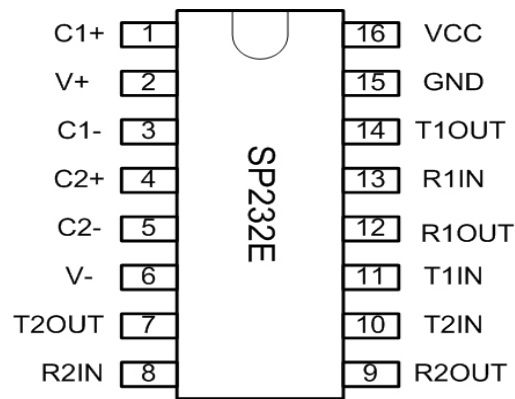


Figure 6: SP232E Pin Configuration

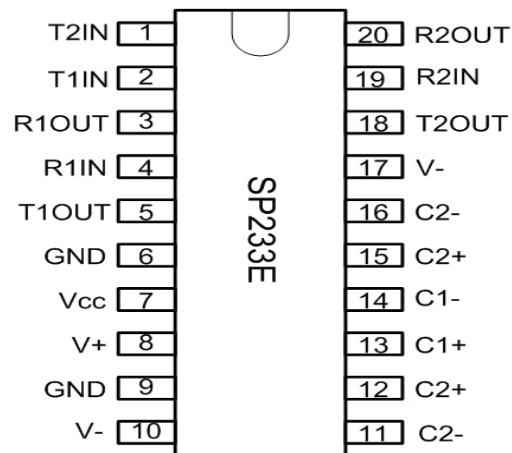


Figure 7: SP233E Pin Configuration

Description

The SP202E, SP232E and SP233E devices are a family of line driver and receiver pairs that meet the EIA / TIA-232 and V-28 serial communications protocols. The ESD tolerance has been improved on these devices to over $\pm 15\text{kV}$ for Human Body Model. These devices are pin-to-pin compatible with MaxLinear's SP232A and SP233A as well as popular industry standards. This family of parts offer a 120kbps data rate, 10V/us slew rate and an on-board charge pump that operates from a single 5V supply using 0.1 μF ceramic capacitors.

The SP202E, SP232E and SP233E devices have internal charge pump voltage converters which allow them to operate from a single +5V supply. The charge pumps will operate with polarized or non-polarized capacitors ranging from 0.1 to 10 μF and will generate the $\pm 6\text{V}$ needed to generate the RS-232 output levels.

The SP233E design offers internal charge pump capacitors.

Theory Of Operation

The SP202E, SP232E and SP233E devices are made up of three basic circuit blocks: 1. Drivers, 2. Receivers, and 3. charge pump. Each block is described below.

Drivers

The drivers are inverting level transmitters that convert TTL or CMOS logic levels to EIA / TIA-232 levels with an inverted sense relative to the input logic levels. The typical driver output voltage swing is $\pm 6\text{V}$. Even under worst case loading conditions of 3k Ω and 2500pF, the driver output is guaranteed to be $\pm 5.0\text{V}$ minimum, thus satisfying the RS-232 specification. The driver outputs are protected against infinite short-circuits to ground without degradation in reliability.

The slew rate of the driver output is internally limited to 30V/ μs in order to meet the EIA standards (EIA-232F). Additionally, the driver outputs LOW to HIGH transition meets the monotonic output requirements of the standard.

Receivers

The receivers convert EIA / TIA-232 signal levels to inverted TTL or CMOS logic output levels. Since the input is usually from a transmission line, where long cable length

and system interference can degrade the signal, the inputs have a typical hysteresis margin of 500mV. This ensures that the receiver is virtually immune to noisy transmission lines. The input thresholds are 0.8V minimum and 2.8V maximum, again well within the $\pm 3\text{V}$ RS-232 requirements. Should an input be left unconnected, an internal 5k Ω pull-down resistor to ground will commit the output of the receiver to a HIGH state.

In actual system applications, it is quite possible for signals to be applied to receiver inputs before power is applied to the receiver circuitry. This occurs, for example, when a PC user attempts to print, only to realize that the printer wasn't turned on. In this case an RS-232 signal from the PC will appear on the receiver input at the printer. When the printer power is turned on, the receiver will operate normally. All of these devices are fully protected.

Charge pump

The charge pump is an Exar patented design and uses a unique approach compared to older less efficient designs. The charge pump requires 4 external capacitors and uses a four phase voltage shifting technique. The internal power supply consists of a dual charge pump that provides a driver output voltage swing of $\pm 6\text{V}$. The internal oscillator controls the four phases of the voltage shifting. A description of each phase follows:

Phase 1

V_{SS} charge store and double: The positive terminals of capacitors C1 and C2 are charged from V_{CC} with their negative terminals initially connected to ground. C1+ is then connected to ground and the stored charge from C1- is superimposed onto C2-. Since C2+ is still connected to V_{CC} the voltage potential across C2 is now $2 \times V_{CC}$.

Phase 2

V_{SS} transfer and invert: Phase two connects the negative terminal of C2 to the V_{SS} storage capacitor and the positive terminal of C2 to ground. This transfers the doubled and inverted (V-) voltage onto C4. Meanwhile, capacitor C1 is charged from V_{CC} to prepare it for its next phase.

Phase 3

V_{DD} charge store and double: Phase three is identical to the first phase. The positive terminals of C_1 and C_2 are charged from V_{CC} with their negative terminals initially connected to ground. C_1+ is then connected to ground and the stored charge from C_1- is superimposed onto C_2- . Since C_2+ is still connected to V_{CC} the voltage potential across capacitor C_2 is now $2 \times V_{CC}$.

Phase 4

V_{DD} transfer: The fourth phase connects the negative terminal of C_2 to ground and the positive terminal of C_2 to

the V_{DD} storage capacitor. This transfers the doubled ($V+$) voltage onto C_3 . Meanwhile, capacitor C_1 is charged from V_{CC} to prepare it for its next phase.

The clock rate for the charge pump typically operates at greater than 15kHz allowing the pump to run efficiently with small 0.1 μ F capacitors. Efficient operation depends on rapid charging and discharging of C_1 and C_2 , therefore capacitors should be mounted as close as possible to the IC and have low ESR (equivalent series resistance). Inexpensive surface mount, ceramic capacitors are ideal for use on the charge pump. If polarized capacitors are used, the positive and negative terminals should be connected as shown in the typical operating circuit. A diagram of the individual phases are shown in **Figure 8**.

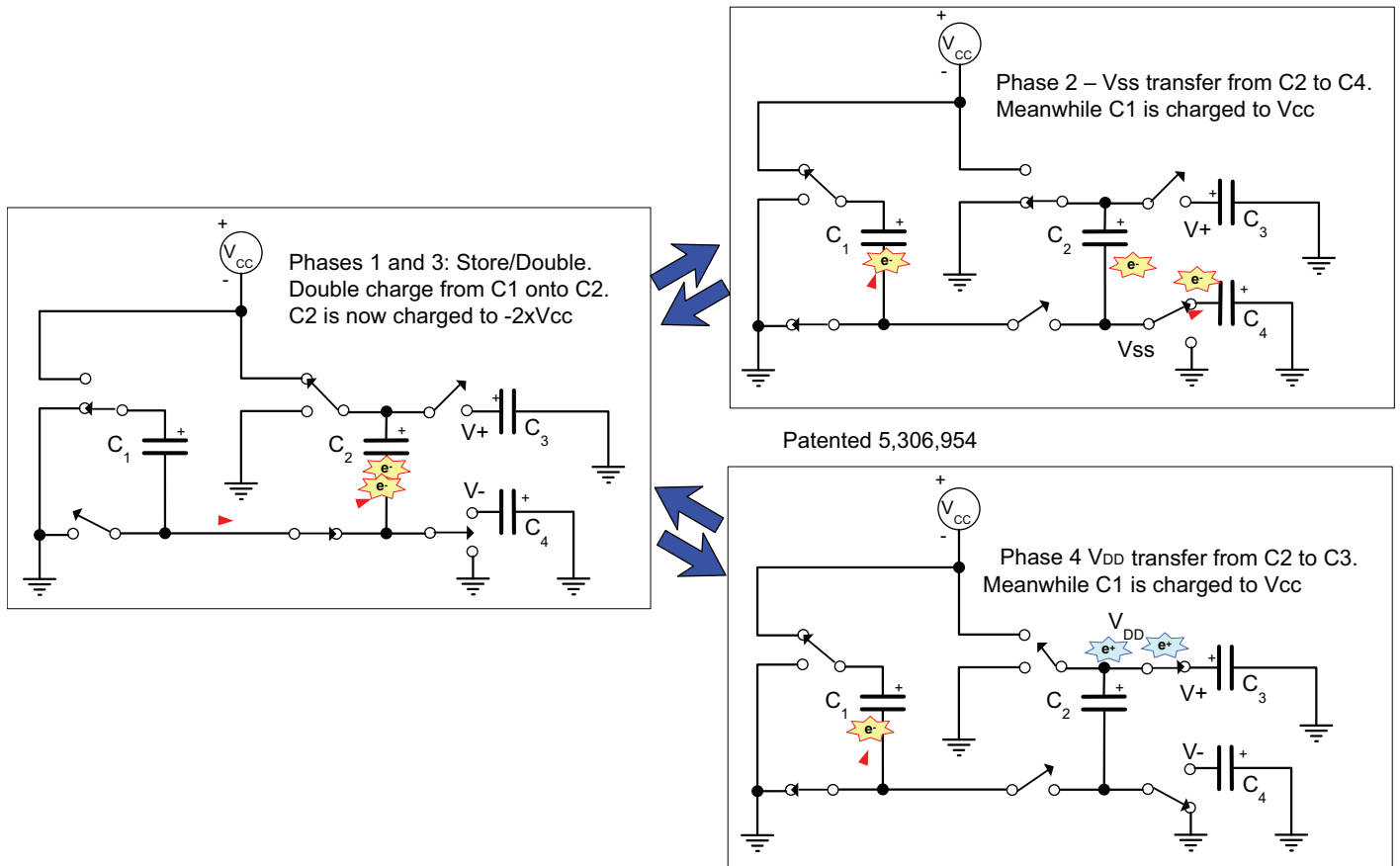


Figure 8: Charge Pump Phases

Pin Strapping for the SP233E

To operate properly, the following pairs of pins must be externally wired together as noted in [Table 5](#):

Table 5: SP233E Pin Strapping

Pins Wired Together	SOICW
Two V- pins	10 & 17
Two C2+ pins	12 & 15
Two C- pins	11 & 16
	Connect pins 6 and 9 to GND

ESD Tolerance

The SP202E, SP232E and SP233E devices incorporate ruggedized ESD cells on all driver outputs and receiver input pins. The ESD structure is improved over our previous family for more rugged applications and environments sensitive to electro-static discharges and associated transients. The improved ESD tolerance is at least $\pm 15\text{kV}$ Human Body Model without damage nor latch-up.

The Human Body Model has been the generally accepted ESD testing method for semiconductors. This method is also specified in MIL-STD-883, Method 3015.7 for ESD testing.

The premise of this ESD test is to simulate the human body's potential to store electro-static energy and discharge it to an integrated circuit. The simulation is performed by using a test model as shown in [Figure 9](#). This method will test the IC's capability to withstand an ESD transient during normal handling such as in manufacturing areas where the IC's tend to be handled frequently.

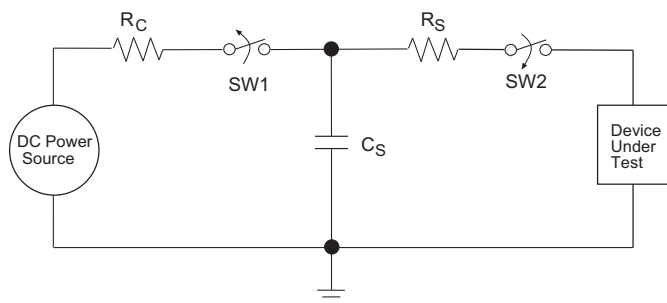


Figure 9: ESD Test Circuit for Human Body Model

Typical Performance Characteristics

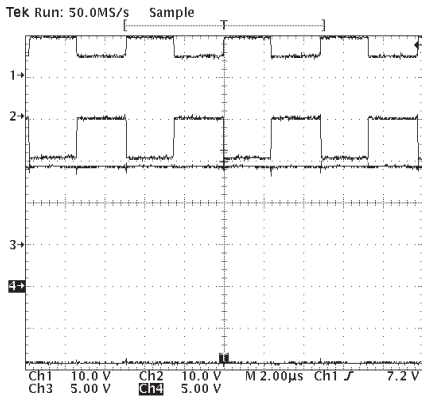


Figure 10: SP232E Charge Pump Waveforms No Load
(1 = C1+, 2 = C2+, 3 = V+, 4 = V-)

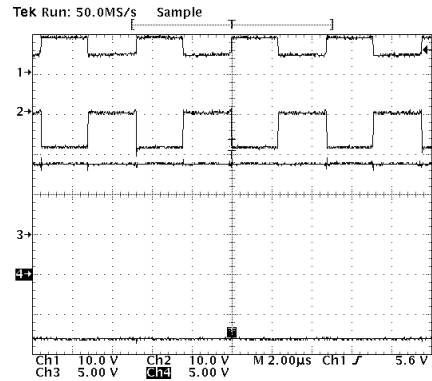


Figure 11: SP232E Charge Pump Waveforms When Fully Loaded with 3kΩ
(1 = C1+, 2 = C2+, 3 = V+, 4 = V-)

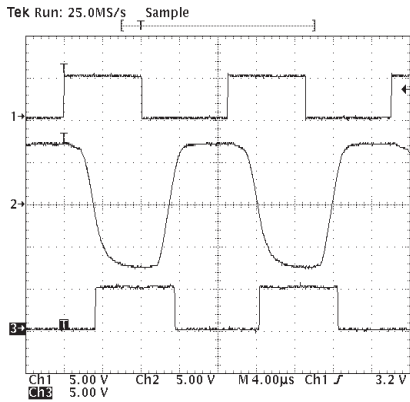


Figure 12: Loopback Results at 60kHz and 2500pF load
(1 = TX_{IN}, 2 = TX_{OUT}/RX_{IN}, 3 = RX_{OUT})

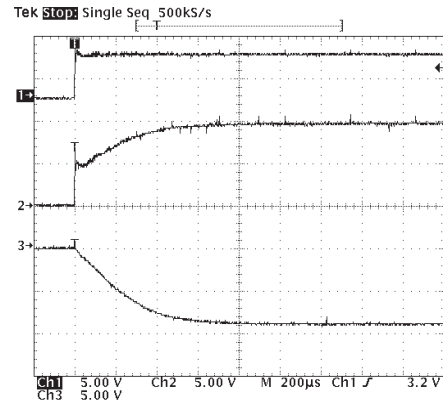


Figure 13: Charge Pump Outputs at Start Up
(1 = V_{CC}, 2 = V+, 3 = V-)

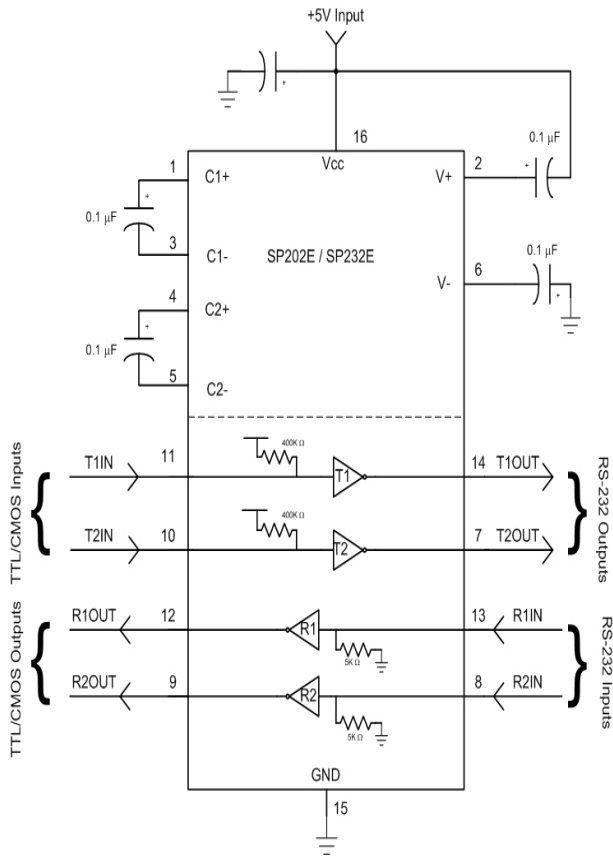
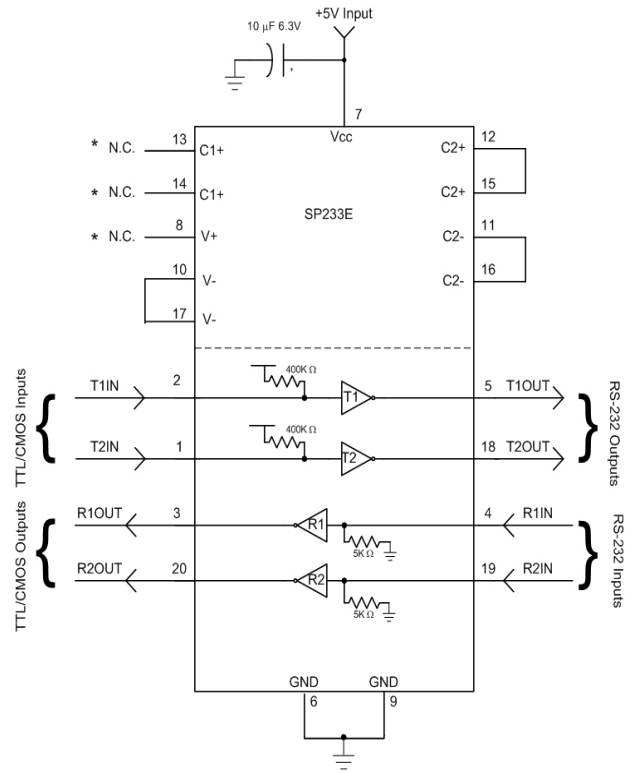


Figure 14: SP202E and SP232E Typical Application Circuit



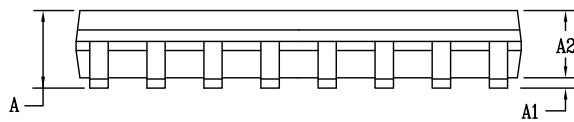
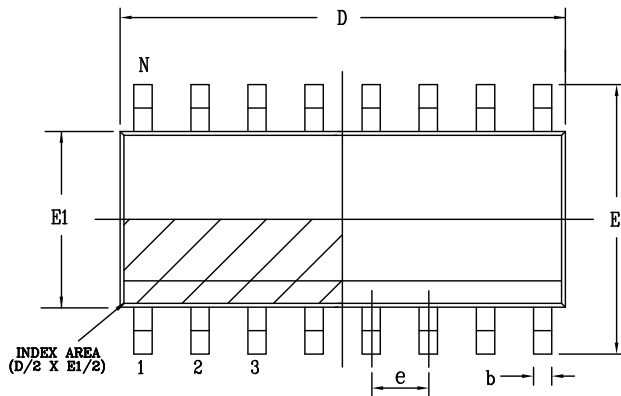
* Do not make connections to these pins

Figure 15: SP233E Typical Application Circuit

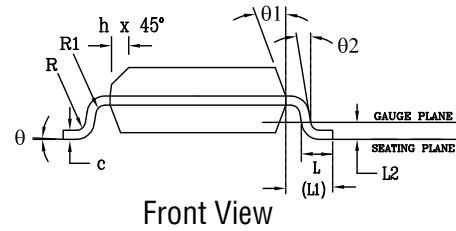
Mechanical Dimensions

NSOIC16

Top View



Side View



Front View

PACKAGE OUTLINE NSOIC .150" BODY JEDEC MS-012 VARIATION A C						
SYMBOLS	COMMON DIMENSIONS IN MM (Control Unit)			COMMON DIMENSIONS IN INCH (Reference Unit)		
	MIN	NOM	MAX	MIN	NOM	MAX
A	1.35	—	1.75	0.053	—	0.069
A1	0.10	—	0.25	0.004	—	0.010
A2	1.25	—	1.65	0.049	—	0.065
b	0.31	—	0.51	0.012	—	0.020
c	0.17	—	0.25	0.007	—	0.010
E	6.00 BSC			0.236 BSC		
E1	3.90 BSC			0.154 BSC		
e	1.27 BSC			0.050 BSC		
h	0.25	—	0.50	0.010	—	0.020
L	0.40	—	1.27	0.016	—	0.050
L1	1.04 REF			0.041 REF		
L2	0.25 BSC			0.010 BSC		
R	0.07	—	—	0.003	—	—
R1	0.07	—	—	0.003	—	—
q	0°	—	8°	0°	—	8°
q1	5°	—	15°	5°	—	15°
q2	0°	—	—	0°	—	—
D	9.90 BSC			0.390 BSC		
N	16			—		

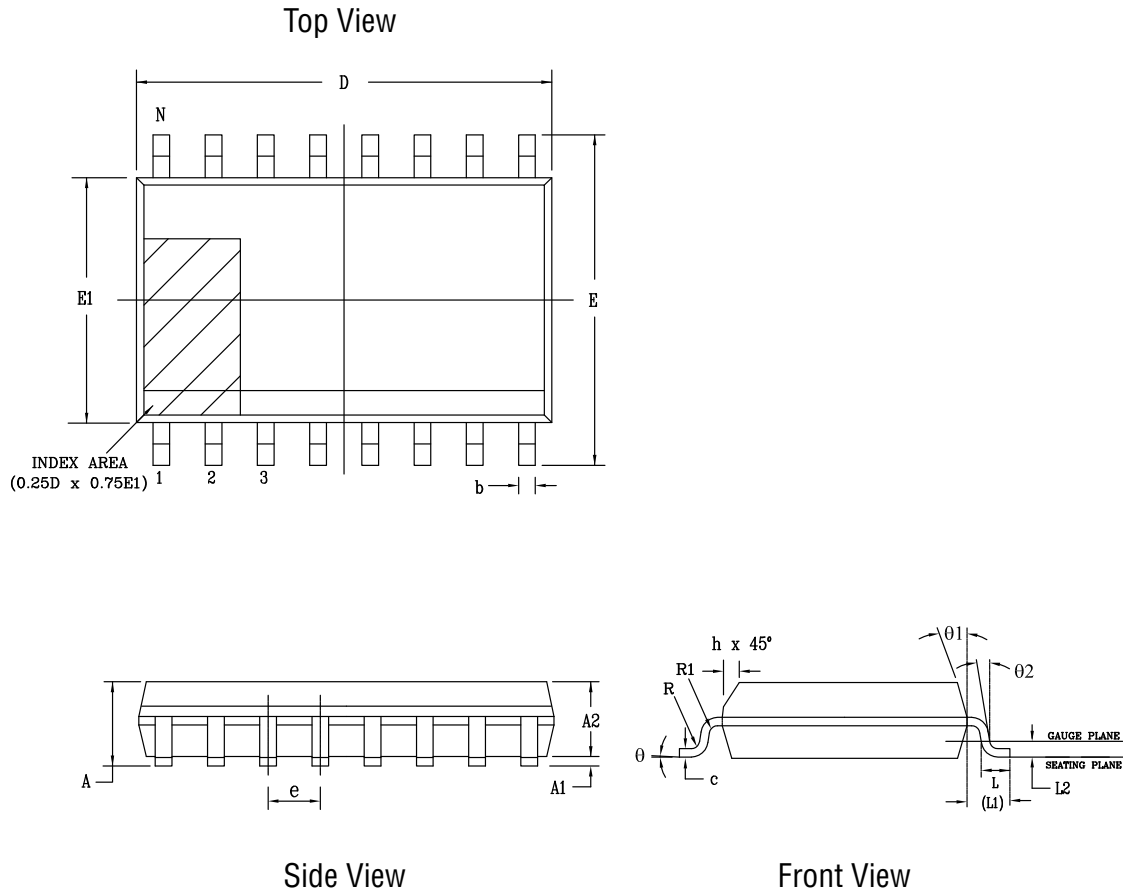
Drawing No: POD-00000114

Revision: A

Figure 16: Mechanical Dimension, NSOIC16

Mechanical Dimensions

WSOIC16



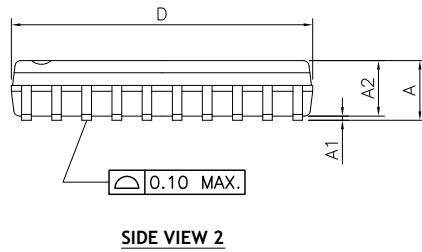
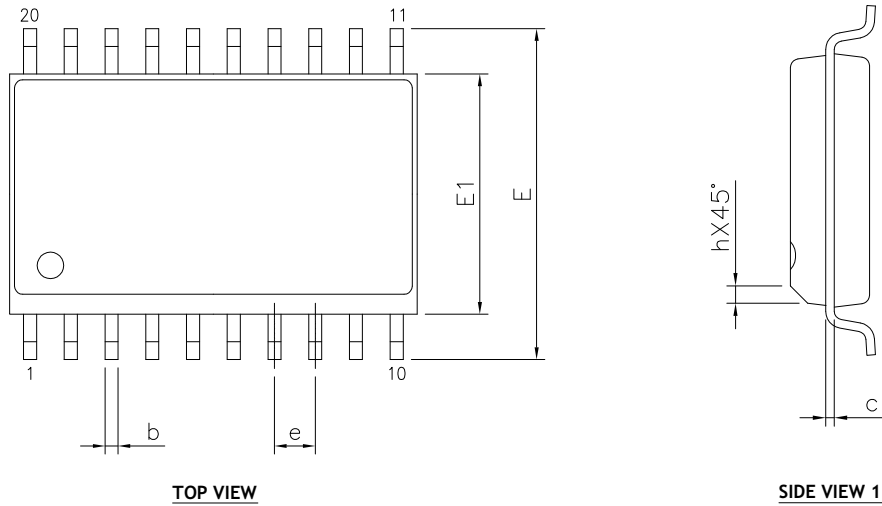
PACKAGE OUTLINE SOIC .300" BODY JEDEC MS-013 VARIATION AA						
SYMBOLS	COMMON DIMENSIONS IN MM (Control Unit)			COMMON DIMENSIONS IN INCHES (Reference Unit)		
	MIN	NOM	MAX	MIN	NOM	MAX
A	2.35	—	2.65	0.093	—	0.104
A1	0.10	—	0.30	0.004	—	0.012
A2	2.05	—	2.55	0.081	—	0.100
b	0.31	—	0.51	0.012	—	0.020
c	0.20	—	0.33	0.008	—	0.013
E	10.30 BSC			0.406 BSC		
E1	7.50 BSC			0.295 BSC		
e	1.27 BSC			0.050 BSC		
h	0.25	—	0.75	0.010	—	0.030
L	0.40	—	1.27	0.016	—	0.050
L1	1.40 REF			0.055 REF		
L2	0.25 BSC			0.010 BSC		
R	0.07	—	—	0.003	—	—
R1	0.07	—	—	0.003	—	—
θ	0°	—	8°	0°	—	8°
θ1	5°	—	15°	5°	—	15°
θ2	0°	—	—	0°	—	—
D	10.30 BSC			0.405 BSC		
N	16					

Drawing No: POD-00000115
Revision: B

Figure 17: Mechanical Dimensions, WSOIC16

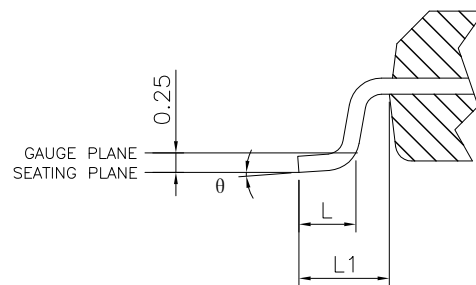
Mechanical Dimensions

WSOIC20



SYMBOLS	MIN.	MAX.
A	2.35	2.65
A1	0.10	0.30
A2	2.05	2.55
b	0.31	0.51
c	0.20	0.33
D	12.80 BSC	
E	10.30 BSC	
E1	7.50 BSC	
e	1.27 BSC	
L	0.40	1.27
L1	1.40 REF	
h	0.25	0.75
θ°	0	8

TERMINAL DETAILS



- ALL DIMENSIONS ARE IN MILLIMETERS, ANGLES ARE IN DEGREES.
- DIMENSIONS AND TOLERANCE PER JEDEC MS-013 AC.

Drawing No.: POD-00000 146

Revision: A

Figure 18: Mechanical Dimensions, WSOIC20

Ordering Information

Table 6: Ordering Information

Ordering Part Number	Operating Temperature Range	Lead-Free	Package	Packaging Method
SP202ECN-L	0°C to 70°C	Yes ⁽²⁾	NSOIC16	Tube
SP202ECN-L/TR				Reel
SP202ECT-L			WSOIC16	Tube
SP202ECT-L/TR				Reel
SP202EEN-L	-40°C to 85°C		NSOIC16	Tube
SP202EEN-L/TR				Reel
SP202EET-L/TR			WSOIC16	Reel
SP232ECN-L			0°C to 70°C	NSOIC16
SP232ECN-L/TR	Reel			
SP232ECT-L/TR	WSOIC16			Reel
SP232EEN-L	-40°C to 85°C		NSOIC16	Tube
SP232EEN-L/TR				Reel
SP232EET-L/TR			WSOIC16	Reel
SP233EET-L			WSOIC20	Tube

1. Refer to www.maxlinear.com/SP202E, www.maxlinear.com/SP232E, and www.maxlinear.com/SP233E for most up-to-date Ordering Information.
2. Visit www.maxlinear.com for additional information on Environmental Rating.



MaxLinear, Inc.
5966 La Place Court, Suite 100
Carlsbad, CA 92008
760.692.0711 p.
760.444.8598 f.
www.maxlinear.com

The content of this document is furnished for informational use only, is subject to change without notice, and should not be construed as a commitment by MaxLinear, Inc. MaxLinear, Inc. assumes no responsibility or liability for any errors or inaccuracies that may appear in the informational content contained in this guide. Complying with all applicable copyright laws is the responsibility of the user. Without limiting the rights under copyright, no part of this document may be reproduced into, stored in, or introduced into a retrieval system, or transmitted in any form or by any means (electronic, mechanical, photocopying, recording, or otherwise), or for any purpose, without the express written permission of MaxLinear, Inc.

MaxLinear, Inc. does not recommend the use of any of its products in life support applications where the failure or malfunction of the product can reasonably be expected to cause failure of the life support system or to significantly affect its safety or effectiveness. Products are not authorized for use in such applications unless MaxLinear, Inc. receives, in writing, assurances to its satisfaction that: (a) the risk of injury or damage has been minimized; (b) the user assumes all such risks; (c) potential liability of MaxLinear, Inc. is adequately protected under the circumstances.

MaxLinear, Inc. may have patents, patent applications, trademarks, copyrights, or other intellectual property rights covering subject matter in this document. Except as expressly provided in any written license agreement from MaxLinear, Inc., the furnishing of this document does not give you any license to these patents, trademarks, copyrights, or other intellectual property.

MaxLinear, the MaxLinear logo, and any MaxLinear trademarks, MxL, Full-Spectrum Capture, FSC, G.now, AirPHY and the MaxLinear logo are all on the products sold, are all trademarks of MaxLinear, Inc. or one of MaxLinear's subsidiaries in the U.S.A. and other countries. All rights reserved. Other company trademarks and product names appearing herein are the property of their respective owners.

Looking for pricing, stock, or lifecycle information?

Click below to explore more details on WIN SOURCE:

- ⊖ [View SP232EEN-L on WIN SOURCE](#)
- ⊖ [Exar Corporation](#) Information

Optimize Your Supply Chain with WIN SOURCE Solutions

- ✓ Global Sourcing Solution
- ✓ Obsolete Management
- ✓ Cost Control Management
- ✓ Shortage Management
- ✓ Alternative Solution
- ✓ Excess Inventory Management