



Is Now Part of



**ON Semiconductor®**

To learn more about ON Semiconductor, please visit our website at  
[www.onsemi.com](http://www.onsemi.com)

Please note: As part of the Fairchild Semiconductor integration, some of the Fairchild orderable part numbers will need to change in order to meet ON Semiconductor's system requirements. Since the ON Semiconductor product management systems do not have the ability to manage part nomenclature that utilizes an underscore (\_), the underscore (\_) in the Fairchild part numbers will be changed to a dash (-). This document may contain device numbers with an underscore (\_). Please check the ON Semiconductor website to verify the updated device numbers. The most current and up-to-date ordering information can be found at [www.onsemi.com](http://www.onsemi.com). Please email any questions regarding the system integration to [Fairchild\\_questions@onsemi.com](mailto:Fairchild_questions@onsemi.com).

ON Semiconductor and the ON Semiconductor logo are trademarks of Semiconductor Components Industries, LLC dba ON Semiconductor or its subsidiaries in the United States and/or other countries. ON Semiconductor owns the rights to a number of patents, trademarks, copyrights, trade secrets, and other intellectual property. A listing of ON Semiconductor's product/patent coverage may be accessed at [www.onsemi.com/site/pdf/Patent-Marking.pdf](http://www.onsemi.com/site/pdf/Patent-Marking.pdf). ON Semiconductor reserves the right to make changes without further notice to any products herein. ON Semiconductor makes no warranty, representation or guarantee regarding the suitability of its products for any particular purpose, nor does ON Semiconductor assume any liability arising out of the application or use of any product or circuit, and specifically disclaims any and all liability, including without limitation special, consequential or incidental damages. Buyer is responsible for its products and applications using ON Semiconductor products, including compliance with all laws, regulations and safety requirements or standards, regardless of any support or applications information provided by ON Semiconductor. "Typical" parameters which may be provided in ON Semiconductor data sheets and/or specifications can and do vary in different applications and actual performance may vary over time. All operating parameters, including "Typicals" must be validated for each customer application by customer's technical experts. ON Semiconductor does not convey any license under its patent rights nor the rights of others. ON Semiconductor products are not designed, intended, or authorized for use as a critical component in life support systems or any FDA Class 3 medical devices or medical devices with a same or similar classification in a foreign jurisdiction or any devices intended for implantation in the human body. Should Buyer purchase or use ON Semiconductor products for any such unintended or unauthorized application, Buyer shall indemnify and hold ON Semiconductor and its officers, employees, subsidiaries, affiliates, and distributors harmless against all claims, costs, damages, and expenses, and reasonable attorney fees arising out of, directly or indirectly, any claim of personal injury or death associated with such unintended or unauthorized use, even if such claim alleges that ON Semiconductor was negligent regarding the design or manufacture of the part. ON Semiconductor is an Equal Opportunity/Affirmative Action Employer. This literature is subject to all applicable copyright laws and is not for resale in any manner.

# 74LVTH125

## Low Voltage Quad Buffer with 3-STATE Outputs

### Features

- Input and output interface capability to systems at 5V  $V_{CC}$
- Bushold data inputs eliminate the need for external pull-up resistors to hold unused inputs
- Live insertion/extraction permitted
- Power Up/Down high impedance provides glitch-free bus loading
- Outputs source/sink  $-32\text{mA}/+64\text{mA}$
- Functionally compatible with the 74 series 125
- Latch-up performance exceeds 500mA
- ESD performance:
  - Human-body model > 2000V
  - Machine model > 200V
  - Charged-device model > 1000V

### General Description


The LVTH125 contains four independent non-inverting buffers with 3-STATE outputs.

These buffers are designed for low-voltage (3.3V)  $V_{CC}$  applications, but with the capability to provide a TTL interface to a 5V environment. The LVTH125 is fabricated with an advanced BiCMOS technology to achieve high speed operation similar to 5V ABT while maintaining a low power dissipation.

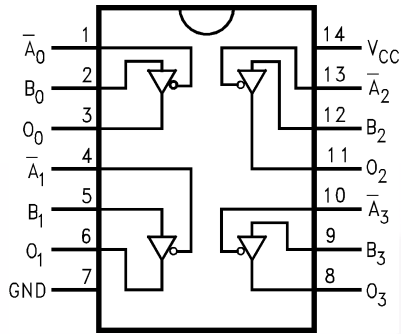
### Ordering Information

Order Number	Package Number	Package Description
74LVTH125M	M14A	14-Lead Small Outline Integrated Circuit (SOIC), JEDEC MS-012, 0.150" Narrow
74LVTH125SJ	M14D	14-Lead Small Outline Package (SOP), EIAJ TYPE II, 5.3mm Wide
74LVTH125MTC	MTC14	14-Lead Thin Shrink Small Outline Package (TSSOP), JEDEC MO-153, 4.4mm Wide

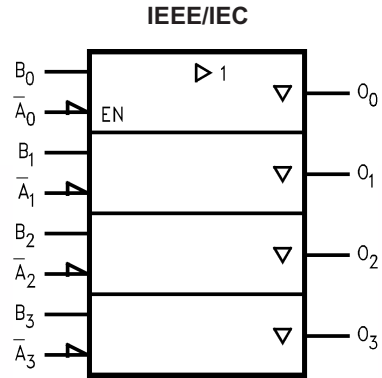
Device also available in Tape and Reel. Specify by appending suffix letter "X" to the ordering number.

 All packages are lead free per JEDEC: J-STD-020B standard.

### Connection Diagram



### Logic Symbol



### Pin Description

Pin Names	Description
$\bar{A}_n, B_n$	Inputs
$O_n$	3-STATE Outputs

### Truth Table

Inputs		Output
$\bar{A}_n$	$B_n$	$O_n$
L	L	L
L	H	H
H	X	Z

H = HIGH Voltage Level

L = LOW Voltage Level

X = Immaterial

Z = HIGH Impedance

## Absolute Maximum Ratings

Stresses exceeding the absolute maximum ratings may damage the device. The device may not function or be operable above the recommended operating conditions and stressing the parts to these levels is not recommended. In addition, extended exposure to stresses above the recommended operating conditions may affect device reliability. The absolute maximum ratings are stress ratings only.

Symbol	Parameter	Rating
$V_{CC}$	Supply Voltage	-0.5V to +4.6V
$V_I$	DC Input Voltage	-0.5V to +7.0V
$V_O$	DC Output Voltage Output in 3-STATE	-0.5V to +7.0V
	Output in HIGH or LOW State <sup>(1)</sup>	-0.5V to +7.0V
$I_{IK}$	DC Input Diode Current, $V_I < GND$	-50mA
$I_{OK}$	DC Output Diode Current, $V_O < GND$	-50mA
$I_O$	DC Output Current, $V_O > V_{CC}$ Output at HIGH State	64mA
	Output at LOW State	128mA
$I_{CC}$	DC Supply Current per Supply Pin	±64mA
$I_{GND}$	DC Ground Current per Ground Pin	±128mA
$T_{STG}$	Storage Temperature	-65°C to +150°C

### Note:

- $I_O$  Absolute Maximum Rating must be observed.

## Recommended Operating Conditions

The Recommended Operating Conditions table defines the conditions for actual device operation. Recommended operating conditions are specified to ensure optimal performance to the datasheet specifications. Fairchild does not recommend exceeding them or designing to absolute maximum ratings.

Symbol	Parameter	Min	Max	Units
$V_{CC}$	Supply Voltage	2.7	3.6	V
$V_I$	Input Voltage	0	5.5	V
$I_{OH}$	HIGH-Level Output Current		-32	mA
$I_{OL}$	LOW-Level Output Current		64	mA
$T_A$	Free-Air Operating Temperature	-40	85	°C
$\Delta t / \Delta V$	Input Edge Rate, $V_{IN} = 0.8V-2.0V$ , $V_{CC} = 3.0V$	0	10	ns/V

## DC Electrical Characteristics

Symbol	Parameter	V <sub>CC</sub> (V)	Conditions	T <sub>A</sub> = -40°C to +85°C			Units	
				Min.	Typ. <sup>(2)</sup>	Max.		
V <sub>IK</sub>	Input Clamp Diode Voltage	2.7	I <sub>I</sub> = -18mA			-1.2	V	
V <sub>IH</sub>	Input HIGH Voltage	2.7-3.6	V <sub>O</sub> ≤ 0.1V or	2.0			V	
V <sub>IL</sub>	Input LOW Voltage	2.7-3.6	V <sub>O</sub> ≥ V <sub>CC</sub> - 0.1V			0.8	V	
V <sub>OH</sub>	Output HIGH Voltage	2.7-3.6	I <sub>OH</sub> = -100μA	V <sub>CC</sub> - 0.2			V	
		2.7	I <sub>OH</sub> = -8mA	2.4				
		3.0	I <sub>OH</sub> = -32mA	2.0				
V <sub>OL</sub>	Output LOW Voltage	2.7	I <sub>OL</sub> = 100μA			0.2	V	
			I <sub>OL</sub> = 24mA			0.5		
		3.0	I <sub>OL</sub> = 16mA			0.4		
			I <sub>OL</sub> = 32mA			0.5		
			I <sub>OL</sub> = 64mA			0.55		
I <sub>I(HOLD)</sub>	Bushold Input Minimum Drive	3.0	V <sub>I</sub> = 0.8V	75			μA	
			V <sub>I</sub> = 2.0V	-75				
I <sub>I(OD)</sub>	Bushold Input Over-Drive Current to Change State	3.0	<sup>(3)</sup>	500			μA	
			<sup>(4)</sup>	-500				
I <sub>I</sub>	Input Current	3.6	V <sub>I</sub> = 5.5V			10	μA	
		Control Pins	3.6	V <sub>I</sub> = 0V or V <sub>CC</sub>				±1
		Data Pins	3.6	V <sub>I</sub> = 0V				-5
				V <sub>I</sub> = V <sub>CC</sub>				1
I <sub>OFF</sub>	Power Off Leakage Current	0	0V ≤ V <sub>I</sub> or V <sub>O</sub> ≤ 5.5V			±100	μA	
I <sub>PU/PD</sub>	Power up/down 3-STATE Output Current	0-1.5	V <sub>O</sub> = 0.5V to 3.0V, V <sub>I</sub> = GND or V <sub>CC</sub>			±100	μA	
I <sub>OZL</sub>	3-STATE Output Leakage Current	3.6	V <sub>O</sub> = 0.5V			-5	μA	
I <sub>OZH</sub>	3-STATE Output Leakage Current	3.6	V <sub>O</sub> = 3.0V			5	μA	
I <sub>OZH+</sub>	3-STATE Output Leakage Current	3.6	V <sub>CC</sub> < V <sub>O</sub> ≤ 5.5V			10	μA	
I <sub>CCH</sub>	Power Supply Current	3.6	Outputs HIGH			0.19	mA	
I <sub>CCL</sub>	Power Supply Current	3.6	Outputs LOW			5	mA	
I <sub>CCZ</sub>	Power Supply Current	3.6	Outputs Disabled			0.19	mA	
I <sub>CCZ+</sub>	Power Supply Current	3.6	V <sub>CC</sub> ≤ V <sub>O</sub> ≤ 5.5V, Outputs Disabled			0.19	mA	
ΔI <sub>CC</sub>	Increase in Power Supply Current <sup>(5)</sup>	3.6	One Input at V <sub>CC</sub> - 0.6V, Other Inputs at V <sub>CC</sub> or GND			0.2	mA	

**Notes:**

- All typical values are at V<sub>CC</sub> = 3.3V, T<sub>A</sub> = 25°C.
- An external driver must source at least the specified current to switch from LOW-to-HIGH.
- An external driver must sink at least the specified current to switch from HIGH-to-LOW.
- This is the increase in supply current for each input that is at the specified voltage level rather than V<sub>CC</sub> or GND.

## Dynamic Switching Characteristics(6)

Symbol	Parameter	V <sub>CC</sub> (V)	Conditions	T <sub>A</sub> = 25°C			Units
			C <sub>L</sub> = 50 pF, R <sub>L</sub> = 500Ω	Min.	Typ.	Max.	
V <sub>OLP</sub>	Quiet Output Maximum Dynamic V <sub>OL</sub>	3.3	(7)		0.8		V
V <sub>OLV</sub>	Quiet Output Minimum Dynamic V <sub>OL</sub>	3.3	(7)		-0.8		V

### Notes:

6. Characterized in SOIC package. Guaranteed parameter, but not tested.  
 7. Max number of outputs defined as (n). n-1 data inputs are driven 0V to 3V. Output under test held LOW.

## AC Electrical Characteristics

Symbol	Parameter	T <sub>A</sub> = -40°C to +85°C, C <sub>L</sub> = 50pF, R <sub>L</sub> = 500Ω					Units
		V <sub>CC</sub> = 3.3V ± 0.3V			V <sub>CC</sub> = 2.7V		
		Min.	Typ. <sup>(8)</sup>	Max.	Min.	Max.	
t <sub>PLH</sub>	Propagation Delay, Data to Output	1.0		3.5	1.0	4.5	ns
t <sub>PHL</sub>		1.0		3.9	1.0	4.9	
t <sub>PZH</sub>	Output Enable Time	1.0		4.0	1.0	5.5	ns
t <sub>PZL</sub>		1.1		4.0	1.1	5.4	
t <sub>PHZ</sub>	Output Disable Time	1.5		4.5	1.5	5.7	ns
t <sub>PLZ</sub>		1.3		4.5	1.3	4.0	
t <sub>OSSL</sub> , t <sub>OSHL</sub>	Output to Output Skew <sup>(9)</sup>			1.0		1.0	ns

### Notes:

8. All typical values are at V<sub>CC</sub> = 3.3V, T<sub>A</sub> = 25°C.  
 9. Skew is defined as the absolute value of the difference between the actual propagation delay for any two separate outputs of the same device. The specification applies to any outputs switching in the same direction, either HIGH-to-LOW (t<sub>OSSL</sub>) or LOW-to-HIGH (t<sub>OSHL</sub>).

## Capacitance<sup>(10)</sup>

Symbol	Parameter	Conditions	Typical	Units
C <sub>IN</sub>	Input Capacitance	V <sub>CC</sub> = 0V, V <sub>I</sub> = 0V or V <sub>CC</sub>	4	pF
C <sub>OUT</sub>	Output Capacitance	V <sub>CC</sub> = 3.0V, V <sub>O</sub> = 0V or V <sub>CC</sub>	8	pF

### Note:

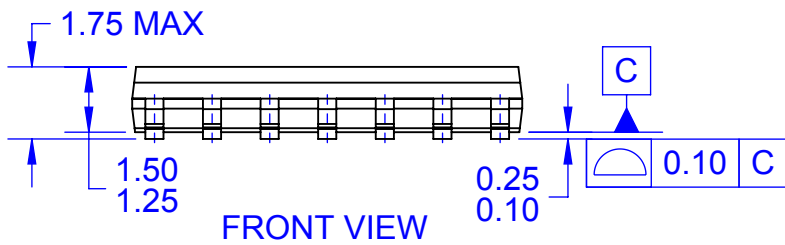
10. Capacitance is measured at frequency f = 1MHz, per MIL-STD-883B, Method 3012.



**NOTES:**

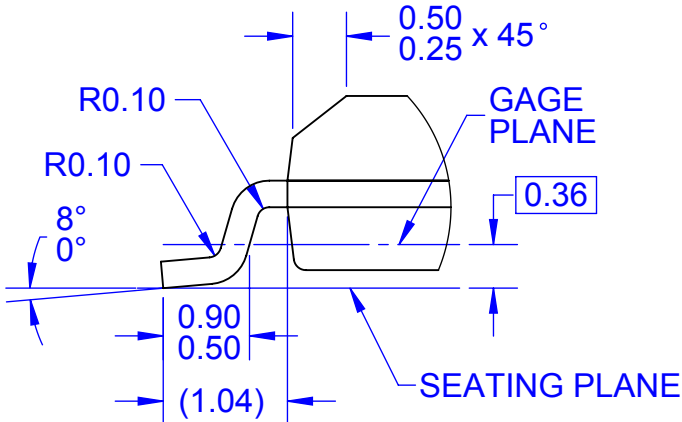
- A. CONFORMS TO JEDEC REGISTRATION MO-153, VARIATION AB, REF NOTE 6
- B. DIMENSIONS ARE IN MILLIMETERS.
- C. DIMENSIONS ARE EXCLUSIVE OF BURRS, MOLD FLASH, AND TIE BAR EXTRUSIONS
- D. DIMENSIONING AND TOLERANCES PER ANSI Y14.5M, 2009.
- E. LANDPATTERN STANDARD: SOP65P640X110-14M.
- F. DRAWING FILE NAME: MKT-MTC14rev7.





NOTES:

- A. CONFORMS TO JEDEC MS-012, VARIATION AB, ISSUE C
- B. ALL DIMENSIONS ARE IN MILLIMETERS
- C. DIMENSIONS DO NOT INCLUDE MOLD FLASH OR BURRS
- D. LAND PATTERN STANDARD: SOIC127P600X145-14M
- E. CONFORMS TO ASME Y14.5M, 2009
- D. DRAWING FILENAME: MKT-M14Arev14



ON Semiconductor and  are trademarks of Semiconductor Components Industries, LLC dba ON Semiconductor or its subsidiaries in the United States and/or other countries. ON Semiconductor owns the rights to a number of patents, trademarks, copyrights, trade secrets, and other intellectual property. A listing of ON Semiconductor's product/patent coverage may be accessed at [www.onsemi.com/site/pdf/Patent-Marking.pdf](http://www.onsemi.com/site/pdf/Patent-Marking.pdf). ON Semiconductor reserves the right to make changes without further notice to any products herein. ON Semiconductor makes no warranty, representation or guarantee regarding the suitability of its products for any particular purpose, nor does ON Semiconductor assume any liability arising out of the application or use of any product or circuit, and specifically disclaims any and all liability, including without limitation special, consequential or incidental damages. Buyer is responsible for its products and applications using ON Semiconductor products, including compliance with all laws, regulations and safety requirements or standards, regardless of any support or applications information provided by ON Semiconductor. "Typical" parameters which may be provided in ON Semiconductor data sheets and/or specifications can and do vary in different applications and actual performance may vary over time. All operating parameters, including "Typicals" must be validated for each customer application by customer's technical experts. ON Semiconductor does not convey any license under its patent rights nor the rights of others. ON Semiconductor products are not designed, intended, or authorized for use as a critical component in life support systems or any FDA Class 3 medical devices or medical devices with a same or similar classification in a foreign jurisdiction or any devices intended for implantation in the human body. Should Buyer purchase or use ON Semiconductor products for any such unintended or unauthorized application, Buyer shall indemnify and hold ON Semiconductor and its officers, employees, subsidiaries, affiliates, and distributors harmless against all claims, costs, damages, and expenses, and reasonable attorney fees arising out of, directly or indirectly, any claim of personal injury or death associated with such unintended or unauthorized use, even if such claim alleges that ON Semiconductor was negligent regarding the design or manufacture of the part. ON Semiconductor is an Equal Opportunity/Affirmative Action Employer. This literature is subject to all applicable copyright laws and is not for resale in any manner.

## PUBLICATION ORDERING INFORMATION

### LITERATURE FULFILLMENT:

Literature Distribution Center for ON Semiconductor  
19521 E. 32nd Pkwy, Aurora, Colorado 80011 USA  
**Phone:** 303-675-2175 or 800-344-3860 Toll Free USA/Canada  
**Fax:** 303-675-2176 or 800-344-3867 Toll Free USA/Canada  
**Email:** [orderlit@onsemi.com](mailto:orderlit@onsemi.com)

**N. American Technical Support:** 800-282-9855 Toll Free  
USA/Canada  
**Europe, Middle East and Africa Technical Support:**  
Phone: 421 33 790 2910  
**Japan Customer Focus Center**  
Phone: 81-3-5817-1050

**ON Semiconductor Website:** [www.onsemi.com](http://www.onsemi.com)  
**Order Literature:** <http://www.onsemi.com/orderlit>  
For additional information, please contact your local  
Sales Representative

## Looking for pricing, stock, or lifecycle information?

Click below to explore more details on WIN SOURCE:

- ⊖ [View 74LVTH125MTC on WIN SOURCE](#)
- ⊖ [Fairchild/ON Semiconductor Information](#)

## Optimize Your Supply Chain with WIN SOURCE Solutions

- ✓ Global Sourcing Solution
- ✓ Obsolete Management
- ✓ Cost Control Management
- ✓ Shortage Management
- ✓ Alternative Solution
- ✓ Excess Inventory Management