



Is Now Part of



ON Semiconductor®

To learn more about ON Semiconductor, please visit our website at
www.onsemi.com

Please note: As part of the Fairchild Semiconductor integration, some of the Fairchild orderable part numbers will need to change in order to meet ON Semiconductor's system requirements. Since the ON Semiconductor product management systems do not have the ability to manage part nomenclature that utilizes an underscore (_), the underscore (_) in the Fairchild part numbers will be changed to a dash (-). This document may contain device numbers with an underscore (_). Please check the ON Semiconductor website to verify the updated device numbers. The most current and up-to-date ordering information can be found at www.onsemi.com. Please email any questions regarding the system integration to Fairchild_questions@onsemi.com.

ON Semiconductor and the ON Semiconductor logo are trademarks of Semiconductor Components Industries, LLC dba ON Semiconductor or its subsidiaries in the United States and/or other countries. ON Semiconductor owns the rights to a number of patents, trademarks, copyrights, trade secrets, and other intellectual property. A listing of ON Semiconductor's product/patent coverage may be accessed at www.onsemi.com/site/pdf/Patent-Marking.pdf. ON Semiconductor reserves the right to make changes without further notice to any products herein. ON Semiconductor makes no warranty, representation or guarantee regarding the suitability of its products for any particular purpose, nor does ON Semiconductor assume any liability arising out of the application or use of any product or circuit, and specifically disclaims any and all liability, including without limitation special, consequential or incidental damages. Buyer is responsible for its products and applications using ON Semiconductor products, including compliance with all laws, regulations and safety requirements or standards, regardless of any support or applications information provided by ON Semiconductor. "Typical" parameters which may be provided in ON Semiconductor data sheets and/or specifications can and do vary in different applications and actual performance may vary over time. All operating parameters, including "Typicals" must be validated for each customer application by customer's technical experts. ON Semiconductor does not convey any license under its patent rights nor the rights of others. ON Semiconductor products are not designed, intended, or authorized for use as a critical component in life support systems or any FDA Class 3 medical devices or medical devices with a same or similar classification in a foreign jurisdiction or any devices intended for implantation in the human body. Should Buyer purchase or use ON Semiconductor products for any such unintended or unauthorized application, Buyer shall indemnify and hold ON Semiconductor and its officers, employees, subsidiaries, affiliates, and distributors harmless against all claims, costs, damages, and expenses, and reasonable attorney fees arising out of, directly or indirectly, any claim of personal injury or death associated with such unintended or unauthorized use, even if such claim alleges that ON Semiconductor was negligent regarding the design or manufacture of the part. ON Semiconductor is an Equal Opportunity/Affirmative Action Employer. This literature is subject to all applicable copyright laws and is not for resale in any manner.

74LVXC4245

8-Bit Dual Supply Configurable Voltage Interface Transceiver with 3-STATE Outputs

General Description

The LVXC4245 is a 24-pin dual-supply, 8-bit configurable voltage interface transceiver suited for PCMCIA and other real time configurable I/O applications. The V_{CCA} pin accepts a 5V supply level. The "A" Port is a dedicated 5V port. The V_{CCB} pin accepts a 3V-to-5V supply level. The "B" Port is configured to track the V_{CCB} supply level respectively. A 5V level on the V_{CC} pin will configure the I/O pins at a 5V level and a 3V V_{CC} will configure the I/O pins at a 3V level. This device will allow the V_{CCB} voltage source pin and I/O pins on the "B" Port to float when \overline{OE} is HIGH. This feature is necessary to buffer data to and from a PCMCIA socket that permits PCMCIA cards to be inserted and removed during normal operation.

Features

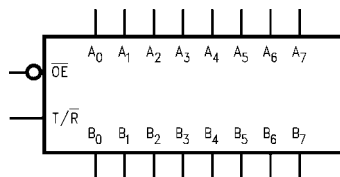
- Bidirectional interface between 5V and 3V-to-5V buses
- Control inputs compatible with TTL level
- Outputs source/sink up to 24 mA
- Guaranteed simultaneous switching noise level and dynamic threshold performance
- Implements patented EMI reduction circuitry
- Flexible V_{CCB} operating range
- Allows B Port and V_{CCB} to float simultaneously when \overline{OE} is HIGH
- Functionally compatible with the 74 series 245

Ordering Code:

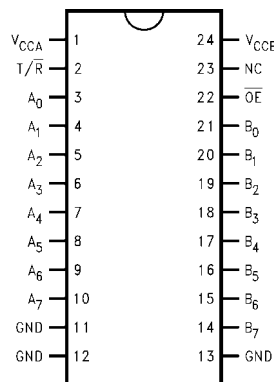
Order Number	Package Number	Package Description
74LVXC4245WM	M24B	24-Lead Small Outline Integrated Circuit (SOIC), JEDEC MS-013, 0.300" Wide
74LVXC4245QSC	MQA24	24-Lead Quarter Size Outline Package (QSOP), JEDEC MO-137, 0.150" Wide
74LVXC4245MTC	MTC24	24-Lead Thin Shrink Small Outline Package (TSSOP), JEDEC MO-153, 4.4mm Wide

Devices also available in Tape and Reel. Specify by appending the suffix letter "X" to the ordering code.

Logic Symbol



Connection Diagram



Pin Descriptions

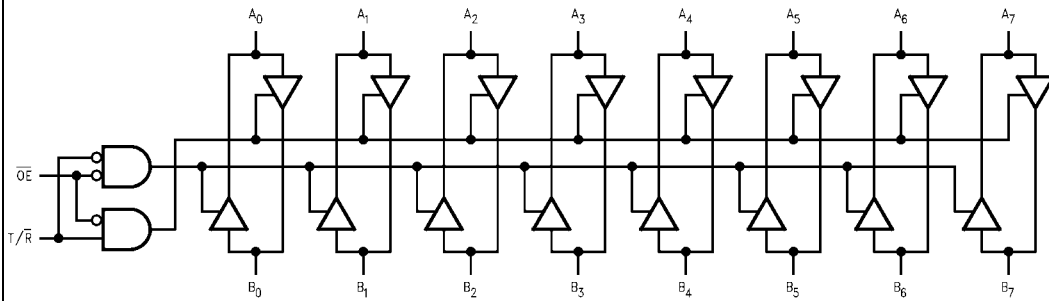
Pin Names	Description
\overline{OE}	Output Enable Input
T/\overline{R}	Transmit/Receive Input
A_0 - A_7	Side A Inputs or 3-STATE Outputs
B_0 - B_7	Side B Inputs or 3-STATE Outputs

Truth Table

Inputs		Outputs
\overline{OE}	$\overline{T/R}$	
L	L	Bus B Data to Bus A
L	H	Bus A Data to Bus B
H	X	HIGH-Z State

H = HIGH Voltage Level
 L = LOW Voltage Level
 X = Immaterial

Logic Diagram



Absolute Maximum Ratings (Note 1)			Recommended Operating Conditions (Note 2)				
Supply Voltage (V_{CCA}, V_{CCB})		-0.5V to +7.0V	Supply Voltage V_{CCA}	4.5V to 5.5V			
DC Input Voltage (V_I) @ \overline{OE} , T/\overline{R}		-0.5V to $V_{CCA} + 0.5V$	V_{CCB}	2.7V to 5.5V			
DC Input/Output Voltage ($V_{I/O}$)			Input Voltage (V_I) @ \overline{OE} , T/\overline{R}	0V to V_{CCA}			
@ A_n		-0.5V to $V_{CCA} + 0.5V$	Input/Output Voltage ($V_{I/O}$)				
@ B_n		-0.5V to $V_{CCB} + 0.5V$	@ A_n	0V to V_{CCA}			
DC Input Diode Current (I_{IK})			@ B_n	0V to V_{CCB}			
@ \overline{OE} , T/\overline{R}		± 20 mA	Free Air Operating Temperature (T_A)	-40°C to +85°C			
DC Output Diode Current (I_{OK})		± 50 mA	Minimum Input Edge Rate ($\Delta V/\Delta t$)	8 ns/V			
DC Output Source or Sink Current (I_O)		± 50 mA	V_{IN} from 30% to 70% of V_{CC}				
DC V_{CC} or Ground Current Per Output Pin (I_{CC} or I_{GND}) and Max Current		± 200 mA	V_{CC} @ 3V, 4.5V, 5.5V				
Storage Temperature Range (T_{STG})		-65°C to +150°C	Note 1: The "Absolute Maximum Ratings" are those values beyond which the safety of the device cannot be guaranteed. The device should not be operated at these limits. The parametric values defined in the Electrical Characteristics tables are not guaranteed at the absolute maximum ratings. The "Recommended Operating Conditions" table will define the conditions for actual device operation.				
DC Latch-Up Source or Sink Current		± 300 mA	Note 2: The A Port unused pins (inputs and I/O's) must be held HIGH or LOW. They may not float.				

DC Electrical Characteristics

Symbol	Parameter	V_{CCA} (V)	V_{CCB} (V)	$T_A = +25^\circ\text{C}$		$T_A = -40^\circ\text{C to } +85^\circ\text{C}$		Units	Conditions
				Typ	Guaranteed Limits	Typ	Guaranteed Limits		
V_{IHA}	Minimum HIGH Level Input Voltage	A_n	4.5	2.7	2.0	2.0	V	$V_{OUT} \leq 0.1V$ or $\geq V_{CC} - 0.1V$	
		\overline{OE}	4.5	3.6	2.0	2.0			
		T/\overline{R}	5.5	5.5	2.0	2.0			
V_{IHB}		B_n	4.5	2.7	2.0	2.0	V		
			4.5	3.6	2.0	2.0			
			4.5	5.5	3.85	3.85			
V_{ILA}	Maximum LOW Level Input Voltage	A_n	4.5	2.7	0.8	0.8	V	$V_{OUT} \leq 0.1V$ or $\geq V_{CC} - 0.1V$	
		\overline{OE}	4.5	3.6	0.8	0.8			
		T/\overline{R}	5.5	5.5	0.8	0.8			
V_{ILB}		B_n	4.5	2.7	0.8	0.8	V		
			4.5	3.6	0.8	0.8			
			4.5	5.5	1.65	1.65			
V_{OHA}	Minimum HIGH Level Output Voltage		4.5	3.0	4.49	4.4	V	$I_{OUT} = -100 \mu A$ $I_{OH} = -24 \text{ mA}$	
			4.5	3.0	4.25	3.86			3.76
V_{OHB}			4.5	3.0	2.99	2.9	V	$I_{OUT} = -100 \mu A$ $I_{OH} = -12 \text{ mA}$ $I_{OH} = -24 \text{ mA}$ $I_{OH} = -12 \text{ mA}$ $I_{OH} = -24 \text{ mA}$ $I_{OH} = -24 \text{ mA}$	
			4.5	3.0	2.85	2.56			2.46
			4.5	3.0	2.65	2.35			2.25
			4.5	2.7	2.5	2.3			2.2
			4.5	2.7	2.3	2.1			2.0
V_{OLA}	Maximum LOW Level Output Voltage		4.5	3.0	0.002	0.1	V	$I_{OUT} = 100 \mu A$ $I_{OL} = 24 \text{ mA}$	
			4.5	3.0	0.21	0.36			0.44
V_{OLB}			4.5	3.0	0.002	0.1	V	$I_{OUT} = 100 \mu A$ $I_{OL} = 24 \text{ mA}$ $I_{OL} = 12 \text{ mA}$ $I_{OL} = 24 \text{ mA}$ $I_{OL} = 24 \text{ mA}$	
			4.5	3.0	0.21	0.36			0.44
			4.5	2.7	0.11	0.36			0.44
			4.5	2.7	0.22	0.42			0.5
			4.5	4.5	0.18	0.36			0.44
I_{IN}	Maximum Input Leakage Current @ \overline{OE} , T/\overline{R}		5.5	3.6	± 0.1	± 1.0	μA	$V_I = V_{CCA}, \text{ GND}$	
			5.5	5.5	± 0.1	± 1.0			

DC Electrical Characteristics (Continued)

Symbol	Parameter	V _{CCA} (V)	V _{CCB} (V)	T _A = +25°C		T _A = -40°C to +85°C		Units	Conditions
				Typ	Guaranteed Limits	Typ	Guaranteed Limits		
I _{OZA}	Maximum 3-STATE Output Leakage @ A _n	5.5	3.6		±0.5	±5.0	μA	V _I = V _{IL} , V _{IH} , \overline{OE} = V _{CCA} V _O = V _{CCA} , GND	
		5.5	5.5		±0.5	±5.0			
I _{OZB}	Maximum 3-STATE Output Leakage @ B _n	5.5	3.6		±0.5	±5.0	μA	V _I = V _{IL} , V _{IH} , \overline{OE} = V _{CCA} V _O = V _{CCB} , GND	
		5.5	5.5		±0.5	±5.0			
ΔI _{CC}	Maximum I _{CC} /Input	All Inputs	5.5	5.5	1.0	1.35	1.5	mA	V _I = V _{CC} - 2.1V
		B _n	5.5	3.6		0.35	0.5	mA	V _I = V _{CCB} - 0.6V
I _{CCA1}	Quiescent V _{CCA} Supply Current as B Port Floats	5.5	Open		8	80	μA	A _n = V _{CCA} or GND B _n = Open, \overline{OE} = V _{CCA} T/ \overline{R} = V _{CCA} , V _{CCB} = Open	
I _{CCA2}	Quiescent V _{CCA} Supply Current	5.5	3.6		8	80	μA	A _n = V _{CCA} or GND B _n = V _{CCB} or GND \overline{OE} = GND, T/ \overline{R} = GND	
		5.5	5.5		8	80			
I _{CCB}	Quiescent V _{CCB} Supply Current	5.5	3.6		5	50	μA	A _n = V _{CCA} or GND B _n = V _{CCB} or GND \overline{OE} = GND, T/ \overline{R} = V _{CCA}	
		5.5	5.5		8	80			
V _{OLPA}	Quiet Output Maximum Dynamic	5.0	3.3		1.5		V	(Note 3) (Note 4)	
V _{OLPB}	V _{OL}	5.0	3.3		0.8		V	(Note 3) (Note 4)	
		5.0	5.0		1.5				
V _{OLVA}	Quiet Output Minimum Dynamic V _{OL}	5.0	3.3		-1.2		V	(Note 3) (Note 4)	
		5.0	5.0		-1.2				
V _{OLVB}		5.0	3.3		-0.8		V	(Note 3) (Note 4)	
		5.0	5.0		-1.2				
V _{IHDA}	Minimum HIGH Level Dynamic Input	5.0	3.3		2.0		V	(Note 3) (Note 5)	
		5.0	5.0		2.0				
V _{IHDB}	Voltage	5.0	3.3		2.0		V	(Note 3) (Note 5)	
		5.0	5.0		3.5				
V _{ILDA}	Maximum LOW Level Dynamic Input	5.0	3.3		0.8		V	(Note 3) (Note 5)	
		5.0	5.0		0.8				
V _{ILDB}	Voltage	5.0	3.3		0.8		V	(Note 3) (Note 5)	
		5.0	5.0		1.5				

Note 3: Worst case package.

Note 4: Max number of outputs defined as (n). Data inputs are driven 0V to V_{CC} level; one output at GND.

Note 5: Max number of Data Inputs (n) switching. (n-1) inputs switching 0V to V_{CC} level. Input-under-test switching: V_{CC} level to threshold (V_{IHD}), 0V to threshold (V_{ILD}), f = 1 MHz.

AC Electrical Characteristics												
Symbol	Parameter	$C_L = 50 \text{ pF}$ $V_{CCA} = 4.5\text{V to }5.5\text{V}$ $V_{CCB} = 4.5\text{V to }5.5\text{V}$					$C_L = 50 \text{ pF}$ $V_{CCA} = 4.5\text{V to }5.5\text{V}$ $V_{CCB} = 2.7\text{V to }3.6\text{V}$					Units
		$T_A = +25^\circ\text{C}$			$T_A = -40^\circ\text{C to }+85^\circ\text{C}$		$T_A = +25^\circ\text{C}$			$T_A = -40^\circ\text{C to }+85^\circ\text{C}$		
		Min	Typ (Note 6)	Max	Min	Max	Min	Typ (Note 7)	Max	Min	Max	
t_{PHL}	Propagation Delay A to B	1.0	4.9	6.5	1.0	7.0	1.0	5.5	7.5	1.0	8.0	ns
t_{PLH}	Propagation Delay B to A	1.0	4.7	6.5	1.0	7.0	1.0	5.6	7.5	1.0	8.0	
t_{PZH}	Output Enable Time \overline{OE} to B	1.0	5.6	7.5	1.0	8.0	1.0	6.7	9.0	1.0	10.0	ns
t_{PZH}	Output Enable Time \overline{OE} to A	1.0	5.7	7.5	1.0	8.0	1.0	6.9	9.5	1.0	10.0	
t_{PHZ}	Output Disable Time \overline{OE} to B	1.0	4.8	7.0	1.0	7.5	1.0	6.0	9.0	1.0	9.5	ns
t_{PLZ}	Output Disable Time \overline{OE} to A	1.0	3.8	5.5	1.0	6.0	1.0	4.2	6.5	1.0	7.0	
t_{OSHL}	Output to Output Skew (Note 8)		1.0	1.5		1.5		1.0	1.5		1.5	ns
t_{OSLH}	Data to Output											

Note 6: Typical values at $V_{CCA} = 5\text{V}$, $V_{CCB} = 5\text{V}$ @ 25°C .

Note 7: Typical values at $V_{CCA} = 5\text{V}$, $V_{CCB} = 3.3\text{V}$ @ 25°C .

Note 8: Skew is defined as the absolute value of the difference between the actual propagation delay for any two separate outputs of the same device. The specification applies to any outputs switching in the same direction, either HIGH-to-LOW (t_{OSHL}) or LOW-to-HIGH (t_{OSLH}). Parameter guaranteed by design.

Capacitance

Symbol	Parameter	Typ	Units	Conditions	
C_{IN}	Input Capacitance	4.5	pF	$V_{CC} = \text{Open}$	
$C_{I/O}$	Input/Output Capacitance	10	pF	$V_{CCA} = 5\text{V}$, $V_{CCB} = 3.3\text{V}$	
C_{PD}	Power Dissipation Capacitance (Note 9)	A→B	45	pF	$V_{CCA} = 5\text{V}$
		B→A	50	pF	$V_{CCB} = 3.3\text{V}$

Note 9: C_{PD} is measured at 10 MHz.

Power Up Considerations

To insure the system does not experience unnecessary I_{CC} current draw, bus contention, or oscillations during power up, the following guidelines should be adhered to (refer to Table 1):

- Power up the control side of the device first. This is the V_{CCA} .
- \overline{OE} should ramp with or ahead of V_{CCA} . This will help guard against bus contention.
- The Transmit/Receive control pin (T/\overline{R}) should ramp with V_{CCA} , this will ensure that the A Port data pins are configured as inputs. With V_{CCA} receiving power first, the A I/O Port should be configured as inputs to help guard against bus contention and oscillations.
- A side data inputs should be driven to a valid logic level. This will prevent excessive current draw.

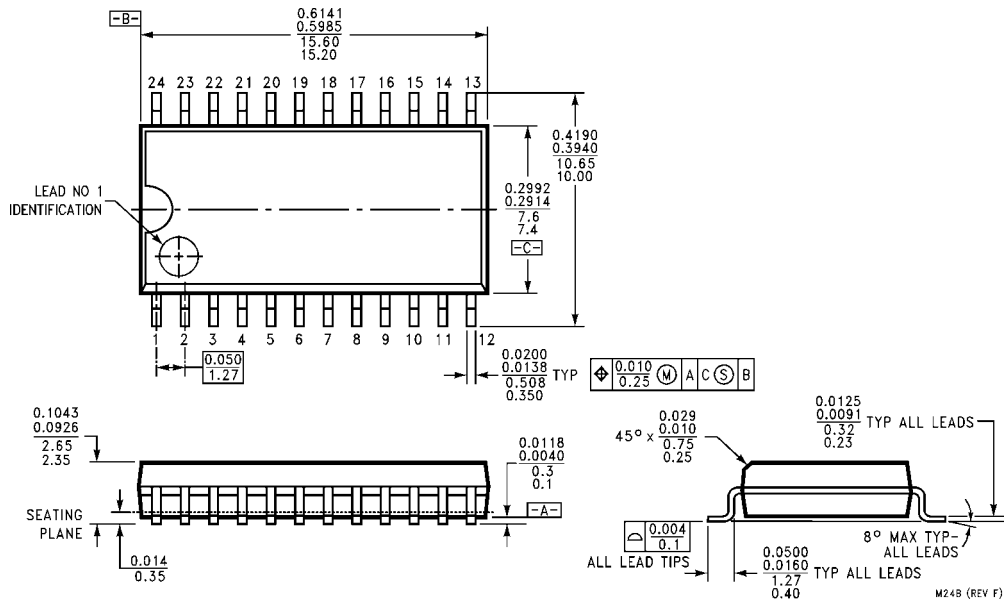
The above steps will ensure that no bus contention or oscillations, and therefore no excessive current draw occurs during the power up cycling of these devices. These steps will help prevent possible damage to the translator devices and potential damage to other system components.

TABLE 1. Low Voltage Translator Power Up Sequencing Table

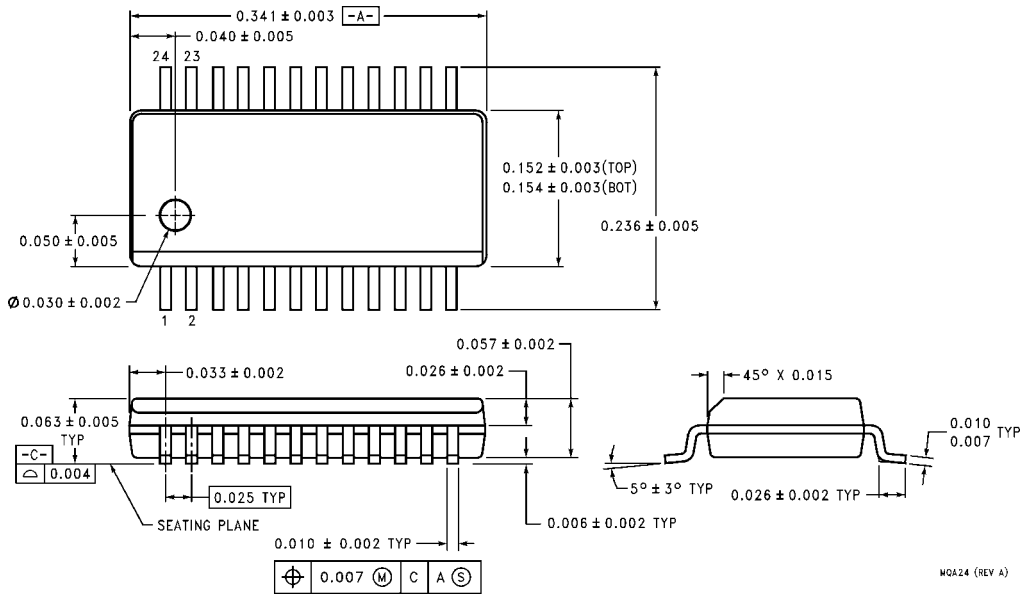
Device Type	V_{CCA}	V_{CCB}	T/\overline{R}	\overline{OE}	A Side I/O	B Side I/O	Floatable Pin Allowed
74LVXC4245	5V (power up 1st)	2.7V to 5.5V configurable	ramp with V_{CCA}	ramp with V_{CCA}	logic 0V or V_{CCA}	outputs	yes, V_{CCB} and B I/O's w/ \overline{OE} HIGH

Please reference Application Note AN-5001 for more detailed information on using Fairchild's LVX Low Voltage Dual Supply CMOS Translating Transceivers.

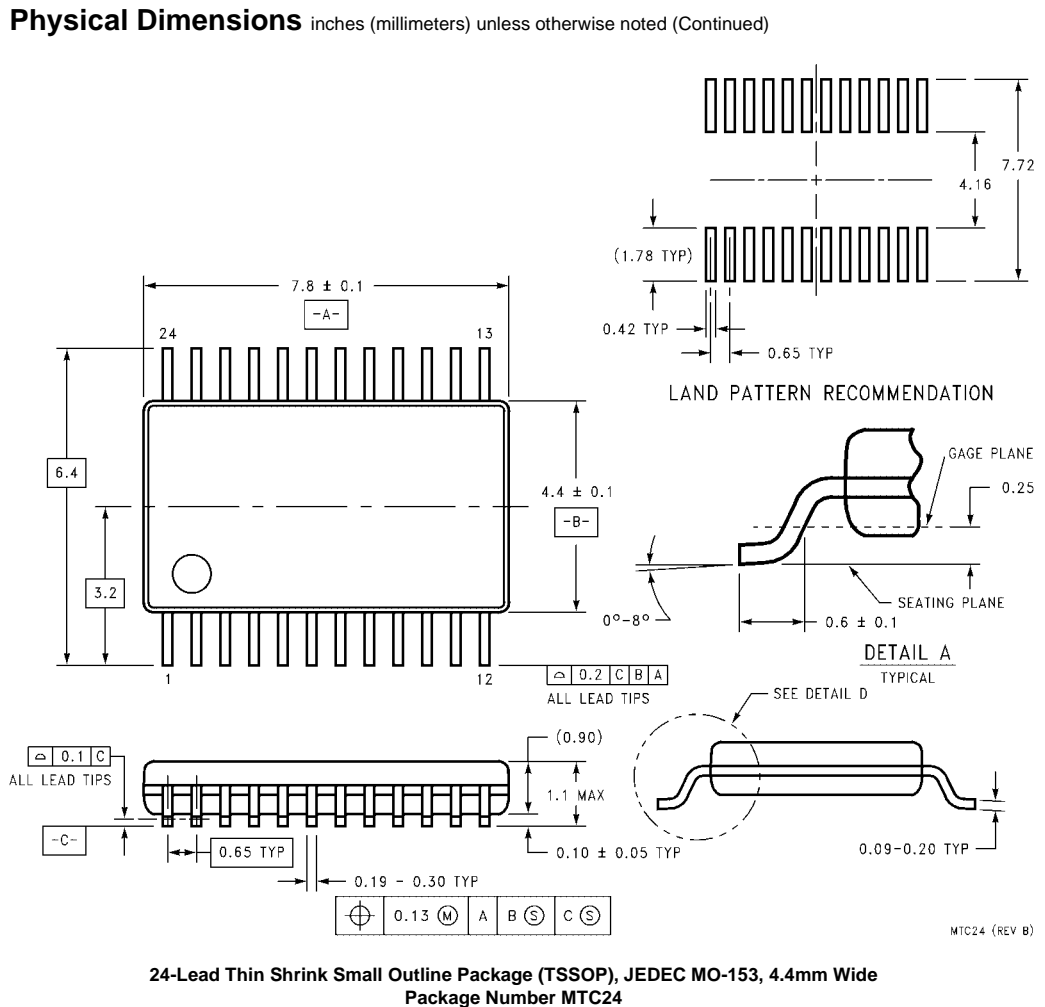
Physical Dimensions inches (millimeters) unless otherwise noted



**24-Lead Small Outline Integrated Circuit (SOIC), JEDEC MS-013, 0.300" Wide
Package Number M248**



**24-Lead Quarter Size Outline Package (QSOP), JEDEC MO-137, 0.150" Wide
Package Number MQA24**



Fairchild does not assume any responsibility for use of any circuitry described, no circuit patent licenses are implied and Fairchild reserves the right at any time without notice to change said circuitry and specifications.

LIFE SUPPORT POLICY

FAIRCHILD'S PRODUCTS ARE NOT AUTHORIZED FOR USE AS CRITICAL COMPONENTS IN LIFE SUPPORT DEVICES OR SYSTEMS WITHOUT THE EXPRESS WRITTEN APPROVAL OF THE PRESIDENT OF FAIRCHILD SEMICONDUCTOR CORPORATION. As used herein:

1. Life support devices or systems are devices or systems which, (a) are intended for surgical implant into the body, or (b) support or sustain life, and (c) whose failure to perform when properly used in accordance with instructions for use provided in the labeling, can be reasonably expected to result in a significant injury to the user.
2. A critical component in any component of a life support device or system whose failure to perform can be reasonably expected to cause the failure of the life support device or system, or to affect its safety or effectiveness.

www.fairchildsemi.com

ON Semiconductor and  are trademarks of Semiconductor Components Industries, LLC dba ON Semiconductor or its subsidiaries in the United States and/or other countries. ON Semiconductor owns the rights to a number of patents, trademarks, copyrights, trade secrets, and other intellectual property. A listing of ON Semiconductor's product/patent coverage may be accessed at www.onsemi.com/site/pdf/Patent-Marking.pdf. ON Semiconductor reserves the right to make changes without further notice to any products herein. ON Semiconductor makes no warranty, representation or guarantee regarding the suitability of its products for any particular purpose, nor does ON Semiconductor assume any liability arising out of the application or use of any product or circuit, and specifically disclaims any and all liability, including without limitation special, consequential or incidental damages. Buyer is responsible for its products and applications using ON Semiconductor products, including compliance with all laws, regulations and safety requirements or standards, regardless of any support or applications information provided by ON Semiconductor. "Typical" parameters which may be provided in ON Semiconductor data sheets and/or specifications can and do vary in different applications and actual performance may vary over time. All operating parameters, including "Typicals" must be validated for each customer application by customer's technical experts. ON Semiconductor does not convey any license under its patent rights nor the rights of others. ON Semiconductor products are not designed, intended, or authorized for use as a critical component in life support systems or any FDA Class 3 medical devices or medical devices with a same or similar classification in a foreign jurisdiction or any devices intended for implantation in the human body. Should Buyer purchase or use ON Semiconductor products for any such unintended or unauthorized application, Buyer shall indemnify and hold ON Semiconductor and its officers, employees, subsidiaries, affiliates, and distributors harmless against all claims, costs, damages, and expenses, and reasonable attorney fees arising out of, directly or indirectly, any claim of personal injury or death associated with such unintended or unauthorized use, even if such claim alleges that ON Semiconductor was negligent regarding the design or manufacture of the part. ON Semiconductor is an Equal Opportunity/Affirmative Action Employer. This literature is subject to all applicable copyright laws and is not for resale in any manner.

PUBLICATION ORDERING INFORMATION

LITERATURE FULFILLMENT:

Literature Distribution Center for ON Semiconductor
19521 E. 32nd Pkwy, Aurora, Colorado 80011 USA
Phone: 303-675-2175 or 800-344-3860 Toll Free USA/Canada
Fax: 303-675-2176 or 800-344-3867 Toll Free USA/Canada
Email: orderlit@onsemi.com

N. American Technical Support: 800-282-9855 Toll Free
USA/Canada
Europe, Middle East and Africa Technical Support:
Phone: 421 33 790 2910
Japan Customer Focus Center
Phone: 81-3-5817-1050

ON Semiconductor Website: www.onsemi.com
Order Literature: <http://www.onsemi.com/orderlit>
For additional information, please contact your local
Sales Representative

Looking for pricing, stock, or lifecycle information?

Click below to explore more details on WIN SOURCE:

- ⊖ [View 74LVXC4245QSCX on WIN SOURCE](#)
- ⊖ [Fairchild/ON Semiconductor Information](#)

Optimize Your Supply Chain with WIN SOURCE Solutions

- ✓ Global Sourcing Solution
- ✓ Obsolete Management
- ✓ Cost Control Management
- ✓ Shortage Management
- ✓ Alternative Solution
- ✓ Excess Inventory Management