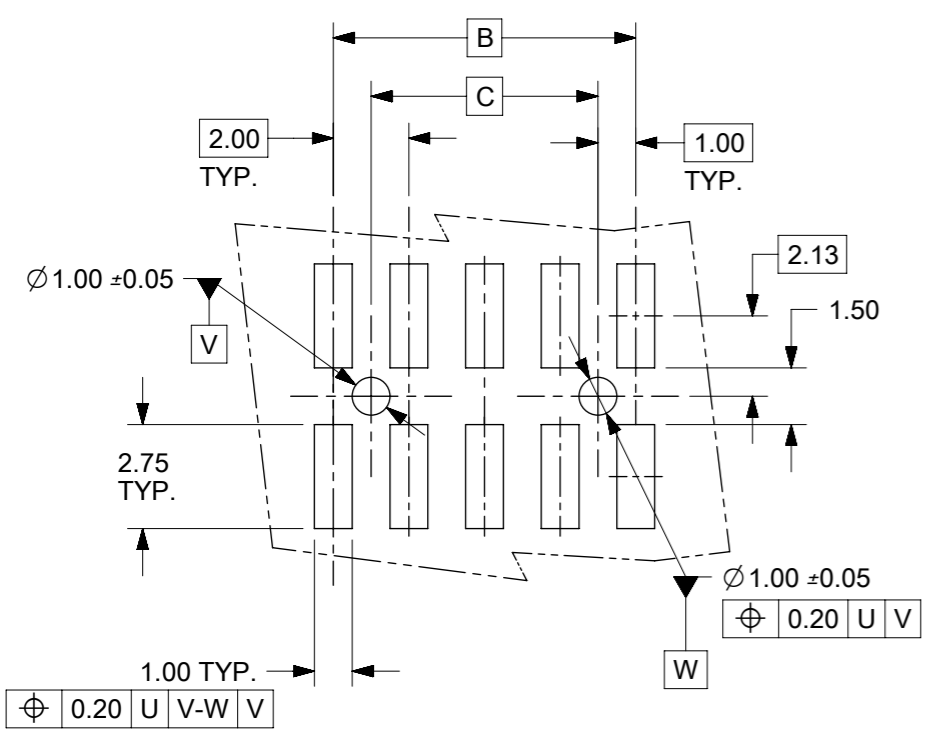
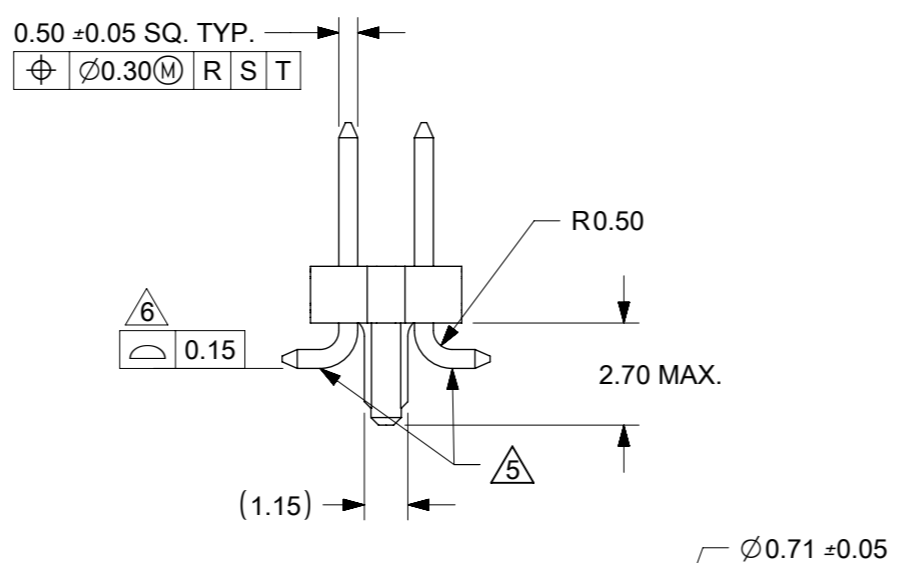
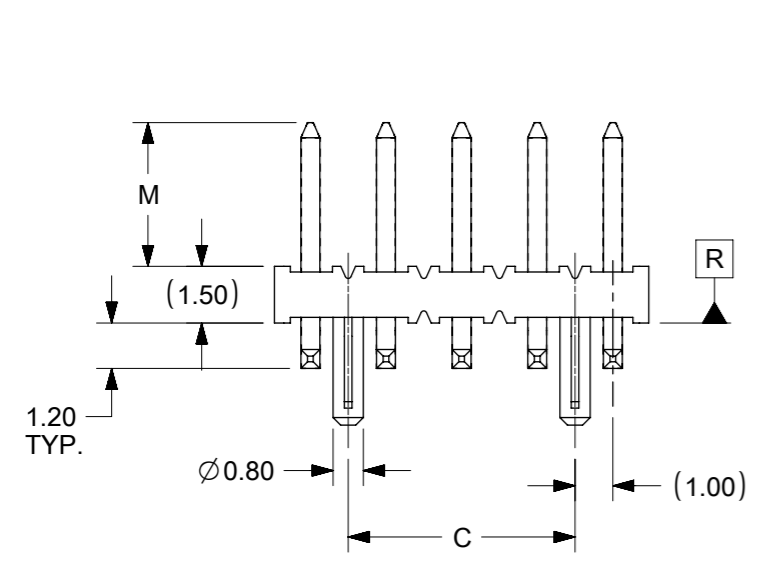


- NOTE:**
- MATERIAL:**
HSG - HIGH TEMPERATURE THERMOPLASTIC, UL 94V-0, COLOUR BLACK
PIN - 0.50 SQ. PHOSPHOR BRONZE
 - PLATING:**
 - **50 / **52 - 0.38µm MIN. GOLD PLATE AT CONTACT AREA, TIN PLATE AT SOLDER AREA, BOTH OVER NICKEL UNDERPLATE
 - **51 - 0.76µm MIN. GOLD PLATE AT CONTACT AREA, TIN PLATE AT SOLDER AREA, BOTH OVER NICKEL UNDERPLATE
 - **77 - 0.05-0.25µm GOLD PLATE AT CONTACT AREA, TIN PLATE AT SOLDER AREA, BOTH OVER NICKEL UNDERPLATE
- (** - REPRESENTS DIFFERENT CKT SIZE , SEE TABLE AT SHT 2)
- PIN PUSHOUT FORCE: 1kg MIN. IN EITHER DIRECTION.
 - PRODUCT SPEC PS-87761-100 APPLIES.
 - 5** BEND DEPRESSION IS ACCEPTABLE SO LONG AS IT DOES NOT AFFECT THE OVERALL COPLANARITY OF TAIL.
 - 6** COPLANARITY IS TO BE MEASURED BY RESTING THE SOLDER TAIL ON A FLAT SURFACE.
 - FOR ILLUSTRATION PURPOSES, 10CKT IS SHOWN
 - TUBE LENGTH IS 560mm REF. STANDARD.
 - RECOMMENDED PCB BOARD THK IS 1.60±0.10mm.



THIS DRAWING CONTAINS INFORMATION THAT IS PROPRIETARY TO MOLEX ELECTRONIC TECHNOLOGIES, LLC AND SHOULD NOT BE USED WITHOUT WRITTEN PERMISSION									
DIMENSION UNITS		SCALE		CURRENT REV DESC: REMASTERED IN NX					
mm		NTS							
GENERAL TOLERANCES (UNLESS SPECIFIED)									
		MM	INCH	EC NO: 172192 DRWN: NVELUSAMY 2017/12/28 CHK'D: CD 2018/07/18 APPR: GGA 2018/07/19					
4 PLACES		±	±	CUSTOMER MGRID, 2MM DUAL ROW HDR WITH PEG, SMT					
3 PLACES		±	±	PRODUCT CUSTOMER DRAWING					
2 PLACES		±	0.2	INITIAL REVISION:					
1 PLACE		±	±	DRWN: KSEE 2003/12/24					
0 PLACES		±	±	APPR: SKTOH 2004/01/12					
ANGULAR TOL		± 3.0°		DOCUMENT NUMBER		DOC TYPE	DOC PART	REVISION	
				SD-87759-113		PSD	001	B4	
DRAFT WHERE APPLICABLE MUST REMAIN WITHIN DIMENSIONS		THIRD ANGLE PROJECTION		DRAWING	SERIES	MATERIAL NUMBER	CUSTOMER	SHEET NUMBER	
				A3-SIZE	87759	SEE TABLE	GENERAL MARKET	1 OF 2	

PART NUMBER WITHOUT CAP IN TUBE	CKT SIZE	A	B	C	M
87759-0850/0851	08	7.90	6.00	4.00	3.80
87759-0852	08	7.90	6.00	4.00	9.60
87759-1050/1051	10	9.90	8.00	6.00	3.80
87759-1250/1251	12	11.90	10.00	8.00	3.80
87759-1450/1451	14	13.90	12.00	10.00	3.80
87759-1650/1651	16	15.90	14.00	12.00	3.80
87759-1850/1851	18	17.90	16.00	14.00	3.80
87759-2050/2051	20	19.90	18.00	16.00	3.80
87759-2250/2251	22	21.90	20.00	18.00	3.80
87759-2450/2451	24	23.90	22.00	20.00	3.80
87759-2650/2651	26	25.90	24.00	22.00	3.80
87759-2850/2851	28	27.90	26.00	24.00	3.80
87759-3050/3051	30	29.90	28.00	26.00	3.80
87759-3250/3251	32	31.90	30.00	28.00	3.80
87759-3450/3451	34	33.90	32.00	30.00	3.80
87759-3650/3651	36	35.90	34.00	32.00	3.80
87759-3850/3851	38	37.90	36.00	34.00	3.80
87759-4050/4051	40	39.90	38.00	36.00	3.80
87759-4250/4251	42	41.90	40.00	38.00	3.80
87759-4450/4451	44	43.90	42.00	40.00	3.80
87759-4650/4651	46	45.90	44.00	42.00	3.80
87759-4850/4851	48	47.90	46.00	44.00	3.80
87759-5050/5051	50	49.90	48.00	46.00	3.80

THIS DRAWING CONTAINS INFORMATION THAT IS PROPRIETARY TO MOLEX ELECTRONIC TECHNOLOGIES, LLC AND SHOULD NOT BE USED WITHOUT WRITTEN PERMISSION									
DIMENSION UNITS		SCALE		CURRENT REV DESC: REMASTERED IN NX				molex	
mm		NTS							
GENERAL TOLERANCES (UNLESS SPECIFIED)				EC NO: 172192				CUSTOM HEADER MGRID, 2MM DUAL ROW HDR WITH PEG, SMT	
				DRWN: NVELUSAMY 2017/12/28					
4 PLACES ±				CHK'D: CD 2018/07/18				PRODUCT CUSTOMER DRAWING	
3 PLACES ±				APPR: GGA 2018/07/19					
2 PLACES ± 0.2				INITIAL REVISION:				DOCUMENT NUMBER SD-87759-113	
1 PLACE ±				DRWN: KSEE 2003/12/24					
0 PLACES ±				APPR: SKTOH 2004/01/12				DOC TYPE DOC PART REVISION PSD 001 B4	
ANGULAR TOL ± 3.0°				THIRD ANGLE PROJECTION		DRAWING		SERIES	
DRAFT WHERE APPLICABLE MUST REMAIN WITHIN DIMENSIONS						A3-SIZE		MATERIAL NUMBER 87759	
DOCUMENT STATUS P1				RELEASE DATE 2018/07/19 05:01:13		CUSTOMER GENERAL MARKET		SHEET NUMBER 2 OF 2	

Looking for pricing, stock, or lifecycle information?

Click below to explore more details on WIN SOURCE:

 [View 87759-1050 on WIN SOURCE](#)

 [Molex, LLC Information](#)

Optimize Your Supply Chain with WIN SOURCE Solutions

-  Global Sourcing Solution
-  Obsolete Management
-  Cost Control Management
-  Shortage Management
-  Alternative Solution
-  Excess Inventory Management