



# THE DATASHEET OF TPS2062DGNR



## CURRENT-LIMITED, POWER-DISTRIBUTION SWITCHES

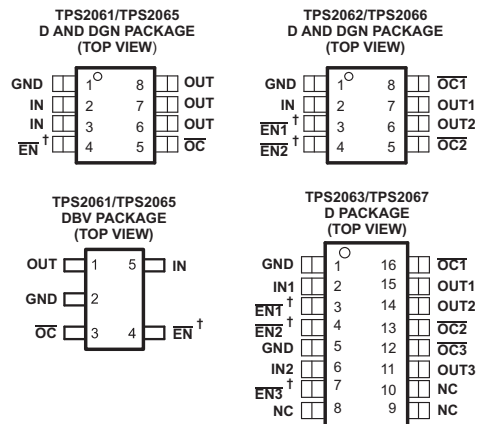
 Check for Samples: [TPS2061](#) [TPS2062](#) [TPS2063](#) [TPS2065](#) [TPS2066](#) [TPS2067](#)

### FEATURES

- 70-mΩ High-Side MOSFET
- 1-A Continuous Current
- Thermal and Short-Circuit Protection
- Accurate Current Limit (1.1 A min, 1.9 A max)
- Operating Range: 2.7 V to 5.5 V
- 0.6-ms Typical Rise Time
- Undervoltage Lockout
- Deglitched Fault Report ( $\overline{OC}$ )
- No  $\overline{OC}$  Glitch During Power Up
- 1-μA Maximum Standby Supply Current
- Bidirectional Switch
- Ambient Temperature Range: -40°C to 85°C
- Built-in Soft-Start
- UL Listed - File No. E169910

### APPLICATIONS

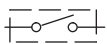
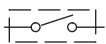
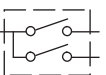
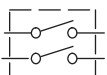
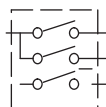
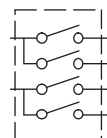
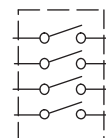
- Heavy Capacitive Loads
- Short-Circuit Protections



† All Enable Inputs Are Active High For TPS2065, TPS2066, and TPS2067

### DESCRIPTION

The TPS206x power-distribution switches are intended for applications where heavy capacitive loads and short-circuits are likely to be encountered. This device incorporates 70-mΩ N-channel MOSFET power switches for power-distribution systems that require multiple power switches in a single package. Each switch is controlled by a logic enable input. Gate drive is provided by an internal charge pump designed to control the power-switch rise times and fall times to minimize current surges during switching. The charge pump requires no external components and allows operation from supplies as low as 2.7 V.

| GENERAL SWITCH CATALOG  |   |   |  |  |   |  |
|---|---|---|--|--|---|--|
| 33 mΩ, Single   | 80 mΩ, Single   | 80 mΩ, Dual   | 80 mΩ, Dual  | 80 mΩ, Triple  | 80 mΩ, Quad   | 80 mΩ, Quad  |
|  |    |    |                       |                    |  |                     |
| TPS201xA 0.2 A to 2 A<br>TPS202x 0.2 A to 2 A<br>TPS203x 0.2 A to 2 A               | TPS2014 600 mA<br>TPS2015 1 A<br>TPS2041B 500 mA<br>TPS2051B 500 mA<br>TPS2045A 250 mA<br>TPS2049 100 mA<br>TPS2055A 250 mA<br>TPS2061 1 A<br>TPS2065 1 A<br>TPS2068 1.5 A<br>TPS2069 1.5 A | TPS2042B 500 mA<br>TPS2052B 500 mA<br>TPS2046B 250 mA<br>TPS2056 250 mA<br>TPS2062 1 A<br>TPS2066 1 A<br>TPS2060 1.5 A<br>TPS2064 1.5 A | TPS2080 500 mA<br>TPS2081 500 mA<br>TPS2082 500 mA<br>TPS2090 250 mA<br>TPS2091 250 mA<br>TPS2092 250 mA | TPS2043B 500 mA<br>TPS2053B 500 mA<br>TPS2047B 250 mA<br>TPS2057A 250 mA<br>TPS2063 1 A<br>TPS2067 1 A | TPS2044B 500 mA<br>TPS2054B 500 mA<br>TPS2048A 250 mA<br>TPS2058 250 mA               | TPS2085 500 mA<br>TPS2086 500 mA<br>TPS2087 500 mA<br>TPS2095 250 mA<br>TPS2096 250 mA<br>TPS2097 250 mA |



Please be aware that an important notice concerning availability, standard warranty, and use in critical applications of Texas Instruments semiconductor products and disclaimers thereto appears at the end of this data sheet.

PowerPAD is a trademark of Texas Instruments.

UNLESS OTHERWISE NOTED this document contains PRODUCTION DATA information current as of publication date. Products conform to specifications per the terms of Texas Instruments standard warranty. Production processing does not necessarily include testing of all parameters.

Copyright © 2003–2009, Texas Instruments Incorporated



This integrated circuit can be damaged by ESD. Texas Instruments recommends that all integrated circuits be handled with appropriate precautions. Failure to observe proper handling and installation procedures can cause damage.

ESD damage can range from subtle performance degradation to complete device failure. Precision integrated circuits may be more susceptible to damage because very small parametric changes could cause the device not to meet its published specifications.

## DESCRIPTION (CONTINUED)

When the output load exceeds the current-limit threshold or a short is present, the device limits the output current to a safe level by switching into a constant-current mode, pulling the overcurrent ( $\overline{OCx}$ ) logic output low. When continuous heavy overloads and short-circuits increase the power dissipation in the switch, causing the junction temperature to rise, a thermal protection circuit shuts off the switch to prevent damage. Recovery from a thermal shutdown is automatic once the device has cooled sufficiently. Internal circuitry ensures that the switch remains off until valid input voltage is present. This power-distribution switch is designed to set current limit at 1.5 A typically.

### AVAILABLE OPTION AND ORDERING INFORMATION

| T <sub>A</sub> | ENABLE      | RECOMMENDED<br>MAXIMUM<br>CONTINUOUS<br>LOAD<br>CURRENT | TYPICAL<br>SHORT-<br>CIRCUIT<br>CURRENT<br>LIMIT<br>AT 25°C | NUMBER OF<br>SWITCHES | PACKAGED<br>DEVICES <sup>(1)</sup> |          |                            |
|----------------|-------------|---|---|-----------------------|------------------------------------|----------|----------------------------|
|                |             |   |   |                       | MSOP (DGN)                         | SOIC (D) | SOT23 (DBV) <sup>(2)</sup> |
| -40°C to 85°C  | Active low  | 1 A   | 1.5 A   | Single                | TPS2061DGN                         | TPS2061D | -                          |
|                | Active high |   |   |                       | TPS2065DGN                         | TPS2065D | -                          |
|                | Active low  |   |   | Dual                  | TPS2062DGN                         | TPS2062D | -                          |
|                | Active high |   |   |                       | TPS2066DGN                         | TPS2066D | -                          |
|                | Active low  |   |   | Triple                | -                                  | TPS2063D | -                          |
|                | Active high |   |   |                       | -                                  | TPS2067D | -                          |
|                | Active low  |   |   | Single                | -                                  | -        | TPS2061DBV                 |
|                | Active high |   |   |                       | -                                  | -        | TPS2065DBV                 |

(1) The package is available taped and reeled. Add an R suffix to device types (e.g., TPS2062DR).

(2) The printed circuit board layout is important for control of temperature rise when operated at high ambient temperatures.

### ORDERING INFORMATION

| T <sub>A</sub> | SOIC(D) <sup>(1)</sup> | STATUS | MSOP (DGN) <sup>(1)</sup> | STATUS | SOT23 (DBV) <sup>(2)</sup> | STATUS     |        |
|----------------|------------------------|--------|---------------------------|--------|----------------------------|------------|--------|
| -40°C to 85°C  | TPS2061DG4             | Active | TPS2061DGNG4              | Active | -                          | -          |        |
|                | TPS2062DG4             | Active | TPS2062DGNG4              | Active | -                          | -          |        |
|                | TPS2065DG4             | Active | TPS2065DGNG4              | Active | -                          | -          |        |
|                | TPS2066DG4             | Active | TPS2066DGNG4              | Active | -                          | -          |        |
|                | -                      | -      | -                         | -      | -                          | TPS2061DBV | Active |
|                | -                      | -      | -                         | -      | -                          | TPS2065DBV | Active |

(1) For the most current package and ordering information, see the Package Option Addendum at the end of this document, or see the TI website at [www.ti.com](http://www.ti.com).

(2) The printed circuit board layout is important for control of temperature rise when operated at high ambient temperatures.

## ABSOLUTE MAXIMUM RATINGS

 over operating free-air temperature range unless otherwise noted<sup>(1)</sup>

|  |                           | UNIT                         |
|--|---------------------------|------------------------------|
| Input voltage range, $V_{I(IN)}$ <sup>(2)</sup>                              |                           | -0.3 V to 6 V                |
| Output voltage range, $V_{O(OUT)}$ <sup>(2)</sup> , $V_{O(OUTx)}$            |                           | -0.3 V to 6 V                |
| Input voltage range, $V_{I(EN)}$ , $V_{I(EN)}$ , $V_{I(ENx)}$ , $V_{I(ENx)}$ |                           | -0.3 V to 6 V                |
| Voltage range, $V_{I(OOC)}$ , $V_{I(OOCx)}$                                  |                           | -0.3 V to 6 V                |
| Continuous output current, $I_{O(OUT)}$ , $I_{O(OUTx)}$                      |                           | Internally limited           |
| Continuous total power dissipation   |                           | See Dissipation Rating Table |
| Operating virtual junction temperature range, $T_J$                          |                           | -40°C to 150°C               |
| Electrostatic discharge (ESD) protection                                     | Human body model          | 2 kV                         |
|  | Charge device model (CDM) | 500 V                        |

- (1) Stresses beyond those listed under *absolute maximum ratings* may cause permanent damage to the device. These are stress ratings only, and functional operation of the device at these or any other conditions beyond those indicated under *recommended operating conditions* is not implied. Exposure to absolute-maximum-rated conditions for extended periods may affect device reliability.
- (2) All voltages are with respect to GND.

## DISSIPATING RATING TABLE

| PACKAGE              | $T_A \leq 25^\circ\text{C}$<br>POWER RATING | DERATING FACTOR<br>ABOVE $T_A = 25^\circ\text{C}$ | $T_A = 70^\circ\text{C}$<br>POWER RATING | $T_A = 85^\circ\text{C}$<br>POWER RATING |
|----------------------|---|---|--|--|
| D-8 <sup>(1)</sup>   | 585.82 mW                                   | 5.8582 mW/°C                                      | 322.20 mW                                | 234.32 mW                                |
| DGN-8 <sup>(2)</sup> | 1712.3 mW                                   | 17.123 mW/°C                                      | 941.78 mW                                | 684.33 mW                                |
| D-16 <sup>(1)</sup>  | 898.47 mW                                   | 8.9847 mW/°C                                      | 494.15 mW                                | 359.38 mW                                |
| DBV-5 <sup>(3)</sup> | 285 mW                                      | 2.85 mW/°C  | 155 mW                                   | 114 mW                                   |
|                      | 704 mW                                      | 7.04 mW/°C  | 387 mW                                   | 281 mW                                   |

- (1) Power ratings are based on the low-k board (1 signal, 1 layer).
- (2) Power ratings are based on the high-k board (2 signal, 2 plane) with PowerPAD™ vias to the internal ground plane.
- (3) Lower ratings are for low-k printed circuit board layout (single -sided). Higher ratings are for enhanced high-k layout, (2 signal, 2 plane) with a 1mm<sup>2</sup> copper pad on pin 2 and 2 vias to the ground plane.

## RECOMMENDED OPERATING CONDITIONS

|  | MIN | MAX | UNIT |
|--|-----|-----|------|
| Input voltage, $V_{I(IN)}$   | 2.7 | 5.5 | V    |
| Input voltage, $V_{I(EN)}$ , $V_{I(EN)}$ , $V_{I(ENx)}$ , $V_{I(ENx)}$ | 0   | 5.5 | V    |
| Continuous output current, $I_{O(OUT)}$ , $I_{O(OUTx)}$                | 0   | 1   | A    |
| Operating virtual junction temperature, $T_J$                          | -40 | 125 | °C   |

## ELECTRICAL CHARACTERISTICS

 over recommended operating junction temperature range,  $V_{I(IN)} = 5.5\text{ V}$ ,  $I_O = 1\text{ A}$ ,  $V_{I(ENx)} = 0\text{ V}$ , or  $V_{I(ENx)} = 5.5\text{ V}$  (unless otherwise noted)

| PARAMETER           |  | TEST CONDITIONS <sup>(1)</sup>  |   | MIN  | TYP | MAX | UNIT |
|---------------------|--|---|---|------|-----|-----|------|
| <b>POWER SWITCH</b> |  |   |   |      |     |     |      |
| $r_{DS(on)}$        | Static drain-source on-state resistance, 5-V operation and 3.3-V operation | $V_{I(IN)} = 5\text{ V}$ or $3.3\text{ V}$ , $I_O = 1\text{ A}$ , $-40^\circ\text{C} \leq T_J \leq 125^\circ\text{C}$ |   | 70   | 135 |     | mΩ   |
|                     | Static drain-source on-state resistance, 2.7-V operation                   | $V_{I(IN)} = 2.7\text{ V}$ , $I_O = 1\text{ A}$ , $-40^\circ\text{C} \leq T_J \leq 125^\circ\text{C}$                 |   | 75   | 150 |     | mΩ   |
| $t_r$               | Rise time, output  | $V_{I(IN)} = 5.5\text{ V}$  | $C_L = 1\text{ }\mu\text{F}$ , $R_L = 5\text{ }\Omega$ , $T_J = 25^\circ\text{C}$ | 0.6  | 1.5 |     | ms   |
|                     |  | $V_{I(IN)} = 2.7\text{ V}$  |   | 0.4  | 1   |     |      |
| $t_f$               | Fall time, output  | $V_{I(IN)} = 5.5\text{ V}$  |   | 0.05 | 0.5 |     |      |
|                     |  | $V_{I(IN)} = 2.7\text{ V}$  |   | 0.05 | 0.5 |     |      |

- (1) Pulse-testing techniques maintain junction temperature close to ambient temperature; thermal effects must be taken into account separately.

## ELECTRICAL CHARACTERISTICS (continued)

over recommended operating junction temperature range,  $V_{I(IN)} = 5.5\text{ V}$ ,  $I_O = 1\text{ A}$ ,  $V_{I(\overline{ENx})} = 0\text{ V}$ , or  $V_{I(ENx)} = 5.5\text{ V}$  (unless otherwise noted)

| PARAMETER  |  | TEST CONDITIONS <sup>(1)</sup>   | MIN  | TYP | MAX | UNIT          |               |    |
|--|--|--|--|-----|-----|---------------|---------------|----|
| <b>ENABLE INPUT <math>\overline{EN}</math> OR EN</b>                           |  |  |  |     |     |               |               |    |
| $V_{IH}$   | High-level input voltage   | $2.7\text{ V} \leq V_{I(IN)} \leq 5.5\text{ V}$  | 2  |     |     | V             |               |    |
| $V_{IL}$   | Low-level input voltage  | $2.7\text{ V} \leq V_{I(IN)} \leq 5.5\text{ V}$  | 0.8  |     |     | V             |               |    |
| $I_I$  | Input current  | $V_{I(\overline{ENx})} = 0\text{ V}$ or $5.5\text{ V}$ , $V_{I(ENx)} = 0\text{ V}$ or $5.5\text{ V}$ | -0.5   | 0.5 |     | $\mu\text{A}$ |               |    |
| $t_{on}$   | Turnon time  | $C_L = 100\text{ }\mu\text{F}$ , $R_L = 5\text{ }\Omega$   | 3  |     |     | ms            |               |    |
| $t_{off}$  | Turnoff time   | $C_L = 100\text{ }\mu\text{F}$ , $R_L = 5\text{ }\Omega$   | 10   |     |     |               |               |    |
| <b>CURRENT LIMIT</b>   |  |  |  |     |     |               |               |    |
| $I_{OS}$   | Short-circuit output current   | $V_{I(IN)} = 5\text{ V}$ , OUT connected to GND, device enabled into short-circuit                   | $T_J = 25^\circ\text{C}$                               |     | 1.1 | 1.5           | 1.9           | A  |
|  |  |  | $-40^\circ\text{C} \leq T_J \leq 125^\circ\text{C}$    |     | 1.1 | 1.5           | 2.1           |    |
| $I_{OC\_TRIP}$   | Overcurrent trip threshold   | $V_{I(IN)} = 5\text{ V}$ , current ramp ( $\leq 100\text{ A/s}$ ) on OUT                             | TPS2061, TPS2062, TPS2065, TPS2066                     |     | 1.6 | 2.3           | 2.7           | A  |
|  |  |  | TPS2063, TPS2067                                       |     | 1.6 | 2.4           | 3.0           |    |
| <b>SUPPLY CURRENT (TPS2061, TPS2065)</b>                                       |  |  |  |     |     |               |               |    |
| Supply current, low-level output   | No load on OUT, $V_{I(\overline{ENx})} = 5.5\text{ V}$ , or $V_{I(ENx)} = 0\text{ V}$          | $T_J = 25^\circ\text{C}$   |  | 0.5 | 1   |               | $\mu\text{A}$ |    |
|  |  | $-40^\circ\text{C} \leq T_J \leq 125^\circ\text{C}$  |  | 0.5 | 5   |               |               |    |
| Supply current, high-level output  | No load on OUT, $V_{I(\overline{ENx})} = 0\text{ V}$ , or $V_{I(ENx)} = 5.5\text{ V}$          | $T_J = 25^\circ\text{C}$   |  | 43  | 60  |               | $\mu\text{A}$ |    |
|  |  | $-40^\circ\text{C} \leq T_J \leq 125^\circ\text{C}$  |  | 43  | 70  |               |               |    |
| Leakage current  | OUT connected to ground, $V_{I(\overline{EN})} = 5.5\text{ V}$ , or $V_{I(EN)} = 0\text{ V}$   | $-40^\circ\text{C} \leq T_J \leq 125^\circ\text{C}$  |  | 1   |     | $\mu\text{A}$ |               |    |
| Reverse leakage current  | $V_{I(OUTx)} = 5.5\text{ V}$ , IN = ground   | $T_J = 25^\circ\text{C}$   |  | 0   |     | $\mu\text{A}$ |               |    |
| <b>SUPPLY CURRENT (TPS2062, TPS2066)</b>                                       |  |  |  |     |     |               |               |    |
| Supply current, low-level output   | No load on OUT, $V_{I(\overline{ENx})} = 5.5\text{ V}$ , or $V_{I(ENx)} = 0\text{ V}$          | $T_J = 25^\circ\text{C}$   |  | 0.5 | 1   |               | $\mu\text{A}$ |    |
|  |  | $-40^\circ\text{C} \leq T_J \leq 125^\circ\text{C}$  |  | 0.5 | 5   |               |               |    |
| Supply current, high-level output  | No load on OUT, $V_{I(\overline{ENx})} = 0\text{ V}$ , or $V_{I(ENx)} = 5.5\text{ V}$          | $T_J = 25^\circ\text{C}$   |  | 50  | 70  |               | $\mu\text{A}$ |    |
|  |  | $-40^\circ\text{C} \leq T_J \leq 125^\circ\text{C}$  |  | 50  | 90  |               |               |    |
| Leakage current  | OUT connected to ground, $V_{I(\overline{ENx})} = 5.5\text{ V}$ , or $V_{I(ENx)} = 0\text{ V}$ | $-40^\circ\text{C} \leq T_J \leq 125^\circ\text{C}$  |  | 1   |     | $\mu\text{A}$ |               |    |
| Reverse leakage current  | $V_{I(OUTx)} = 5.5\text{ V}$ , IN = ground   | $T_J = 25^\circ\text{C}$   |  | 0.2 |     | $\mu\text{A}$ |               |    |
| <b>SUPPLY CURRENT (TPS2063, TPS2067)</b>                                       |  |  |  |     |     |               |               |    |
| Supply current, low-level output   | No load on OUT, $V_{I(\overline{ENx})} = 0\text{ V}$   | $T_J = 25^\circ\text{C}$   |  | 0.5 | 2   |               | $\mu\text{A}$ |    |
|  |  | $-40^\circ\text{C} \leq T_J \leq 125^\circ\text{C}$  |  | 0.5 | 10  |               |               |    |
| Supply current, high-level output  | No load on OUT, $V_{I(\overline{ENx})} = 5.5\text{ V}$   | $T_J = 25^\circ\text{C}$   |  | 65  | 90  |               | $\mu\text{A}$ |    |
|  |  | $-40^\circ\text{C} \leq T_J \leq 125^\circ\text{C}$  |  | 65  | 110 |               |               |    |
| Leakage current  | OUT connected to ground, $V_{I(\overline{ENx})} = 5.5\text{ V}$ , or $V_{I(ENx)} = 0\text{ V}$ | $-40^\circ\text{C} \leq T_J \leq 125^\circ\text{C}$  |  | 1   |     | $\mu\text{A}$ |               |    |
| Reverse leakage current  | $V_{I(OUTx)} = 5.5\text{ V}$ , INx = ground  | $T_J = 25^\circ\text{C}$   |  | 0.2 |     | $\mu\text{A}$ |               |    |
| <b>UNDERVOLTAGE LOCKOUT</b>  |  |  |  |     |     |               |               |    |
| Low-level input voltage, IN  |  |  | 2  | 2.5 |     | V             |               |    |
| Hysteresis, IN   |  |  | $T_J = 25^\circ\text{C}$                               |     | 75  | mV            |               |    |
| <b>OVERCURRENT <math>\overline{OC1}</math> and <math>\overline{OC2}</math></b> |  |  |  |     |     |               |               |    |
| Output low voltage, $V_{OL(OCx)}$  |  |  | $I_{O(\overline{OCx})} = 5\text{ mA}$                  |     | 0.4 | V             |               |    |
| Off-state current  |  |  | $V_{O(\overline{OCx})} = 5\text{ V}$ or $3.3\text{ V}$ |     | 1   | $\mu\text{A}$ |               |    |
| $\overline{OC}$ deglitch   |  |  | $\overline{OCx}$ assertion or deassertion              |     | 4   | 8             | 15            | ms |
| <b>THERMAL SHUTDOWN <sup>(2)</sup></b>   |  |  |  |     |     |               |               |    |
| Thermal shutdown threshold   |  |  | 135  |     | °C  |               |               |    |
| Recovery from thermal shutdown   |  |  | 125  |     | °C  |               |               |    |
| Hysteresis   |  |  | 10   |     | °C  |               |               |    |

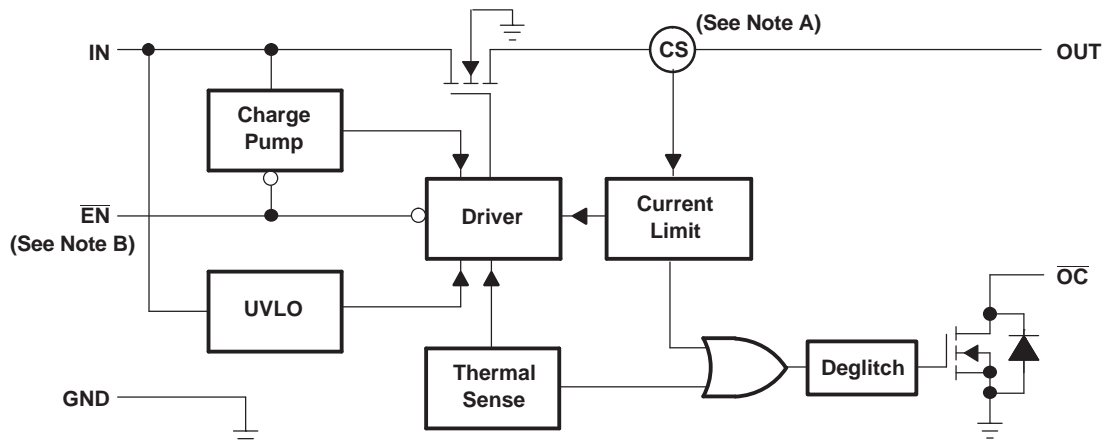
(2) The thermal shutdown only reacts under overcurrent conditions.

**DEVICE INFORMATION**

**Pin Functions (TPS2061 and TPS2065)**

| NAME                   | PINS             |         |             |         | I/O | DESCRIPTION  |
|------------------------|------------------|---------|-------------|---------|-----|--|
|                        | D or DGN Package |         | DBV Package |         |     |  |
|                        | TPS2061          | TPS2065 | TPS2061     | TPS2065 |     |  |
| $\overline{\text{EN}}$ | 4                | -       | 4           | -       | I   | Enable input, logic low turns on power switch  |
| EN                     | -                | 4       | -           | 4       | I   | Enable input, logic high turns on power switch   |
| GND                    | 1                | 1       | 2           | 2       |     | Ground   |
| IN                     | 2, 3             | 2,3     | 5           | 5       | I   | Input voltage  |
| $\overline{\text{OC}}$ | 5                | 5       | 3           | 3       | O   | Overcurrent, open-drain output, active-low   |
| OUT                    | 6, 7, 8          | 6, 7, 8 | 1           | 1       | O   | Power-switch output  |
| PowerPAD™              | -                | -       | -           | -       |     | Internally connected to GND; used to heat-sink the part to the circuit board traces. Should be connected to GND pin. |

**Functional Block Diagram**



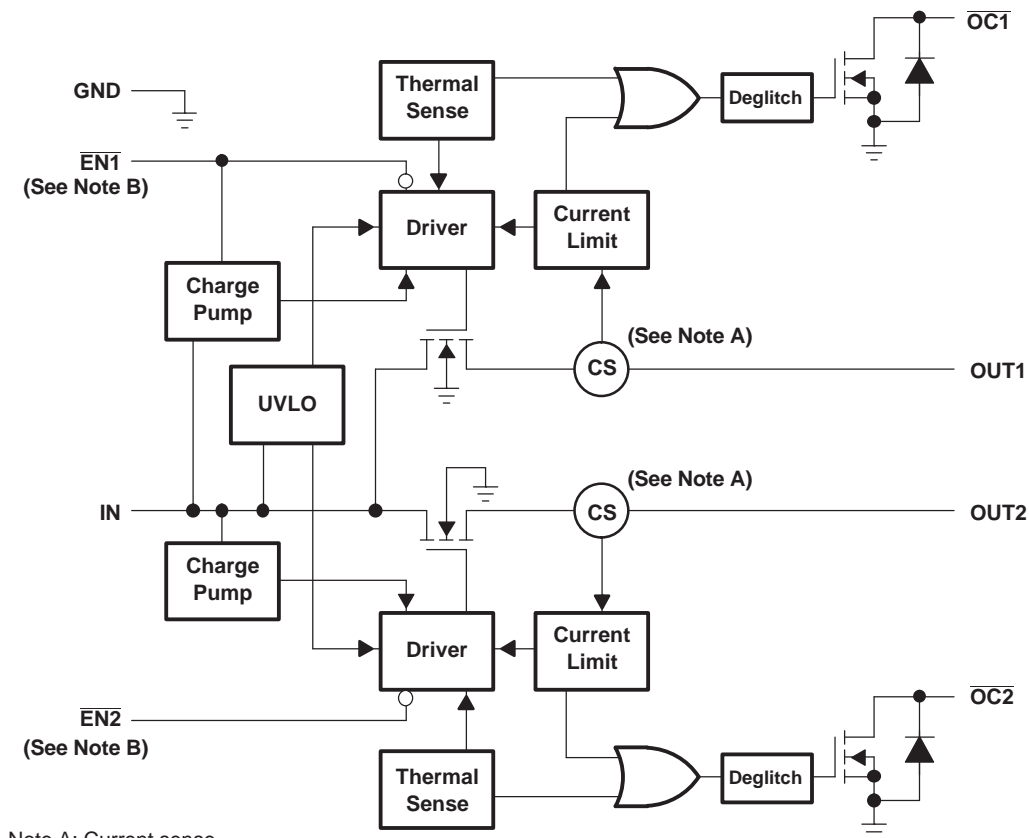
Note A: Current sense

Note B: Active low ( $\overline{\text{EN}}$ ) for TPS2061. Active high (EN) for TPS2065.

Pin Functions (TPS2062 and TPS2066)

| NAME                    | PINS    |         | I/O | DESCRIPTION  |
|-------------------------|---------|---------|-----|--|
|                         | NO.     |         |     |  |
|                         | TPS2062 | TPS2066 |     |  |
| $\overline{\text{EN1}}$ | 3       | -       | I   | Enable input, logic low turns on power switch IN-OUT1  |
| $\overline{\text{EN2}}$ | 4       | -       | I   | Enable input, logic low turns on power switch IN-OUT2  |
| EN1                     | -       | 3       | I   | Enable input, logic high turns on power switch IN-OUT1   |
| EN2                     | -       | 4       | I   | Enable input, logic high turns on power switch IN-OUT2   |
| GND                     | 1       | 1       |     | Ground   |
| IN                      | 2       | 2       | I   | Input voltage  |
| $\overline{\text{OC1}}$ | 8       | 8       | O   | Overcurrent, open-drain output, active low, IN-OUT1  |
| $\overline{\text{OC2}}$ | 5       | 5       | O   | Overcurrent, open-drain output, active low, IN-OUT2  |
| OUT1                    | 7       | 7       | O   | Power-switch output, IN-OUT1   |
| OUT2                    | 6       | 6       | O   | Power-switch output, IN-OUT2   |
| PowerPAD™               | -       | -       |     | Internally connected to GND; used to heat-sink the part to the circuit board traces. Should be connected to GND pin. |

Functional Block Diagram

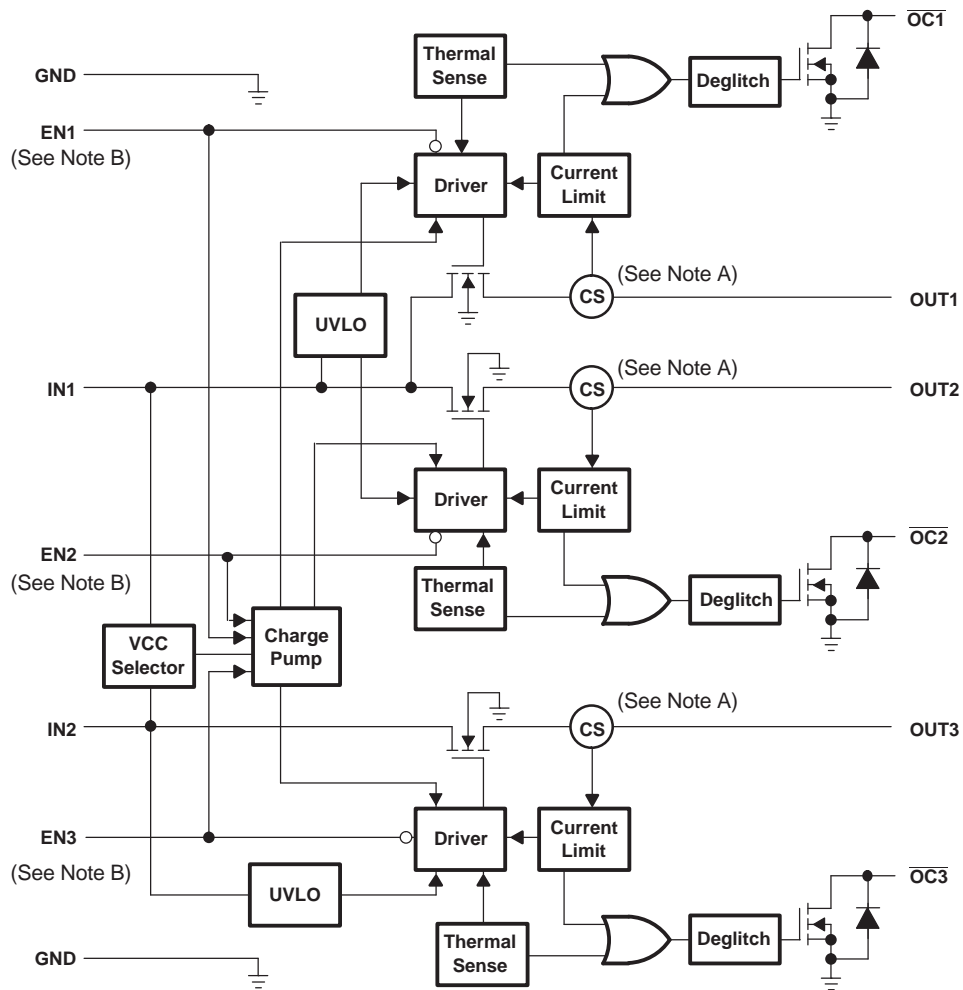


Note A: Current sense  
 Note B: Active low ( $\overline{\text{ENx}}$ ) for TPS2062. Active high (ENx) for TPS2066.

**Pin Functions (TPS2063 and TPS2067)**

| NAME                    | PINS     |          | I/O | DESCRIPTION   |
|-------------------------|----------|----------|-----|---|
|                         | TPS2063  | TPS2067  |     |   |
| $\overline{\text{EN1}}$ | 3        | –        | I   | Enable input, logic low turns on power switch IN1-OUT1  |
| $\overline{\text{EN2}}$ | 4        | –        | I   | Enable input, logic low turns on power switch IN1-OUT2  |
| $\overline{\text{EN3}}$ | 7        | –        | I   | Enable input, logic low turns on power switch IN2-OUT3  |
| EN1                     | –        | 3        | I   | Enable input, logic high turns on power switch IN1-OUT1 |
| EN2                     | –        | 4        | I   | Enable input, logic high turns on power switch IN1-OUT2 |
| EN3                     | –        | 7        | I   | Enable input, logic high turns on power switch IN2-OUT3 |
| GND                     | 1, 5     | 1, 5     |     | Ground  |
| IN1                     | 2        | 2        | I   | Input voltage for OUT1 and OUT2                         |
| IN2                     | 6        | 6        | I   | Input voltage for OUT3                                  |
| NC                      | 8, 9, 10 | 8, 9, 10 |     | No connection   |
| $\overline{\text{OC1}}$ | 16       | 16       | O   | Overcurrent, open-drain output, active low, IN1-OUT1    |
| $\overline{\text{OC2}}$ | 13       | 13       | O   | Overcurrent, open-drain output, active low, IN1-OUT2    |
| $\overline{\text{OC3}}$ | 12       | 12       | O   | Overcurrent, open-drain output, active low, IN2-OUT3    |
| OUT1                    | 15       | 15       | O   | Power-switch output, IN1-OUT1                           |
| OUT2                    | 14       | 14       | O   | Power-switch output, IN1-OUT2                           |
| OUT3                    | 11       | 11       | O   | Power-switch output, IN2-OUT3                           |

Functional Block Diagram



Note A: Current sense

Note B: Active low ( $\overline{ENx}$ ) for TPS2063; Active high (ENx) for TPS2067

PARAMETER MEASUREMENT INFORMATION

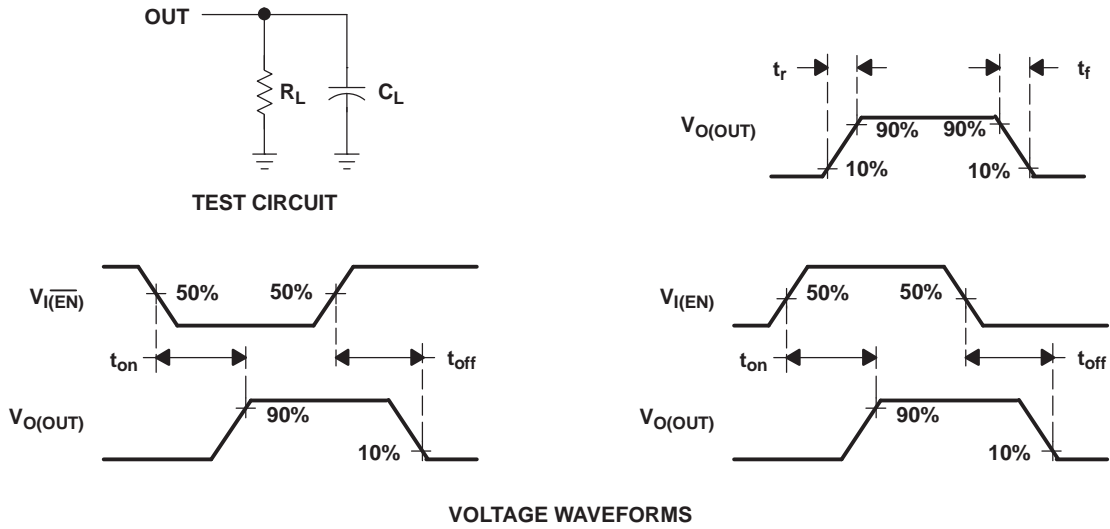


Figure 1. Test Circuit and Voltage Waveforms

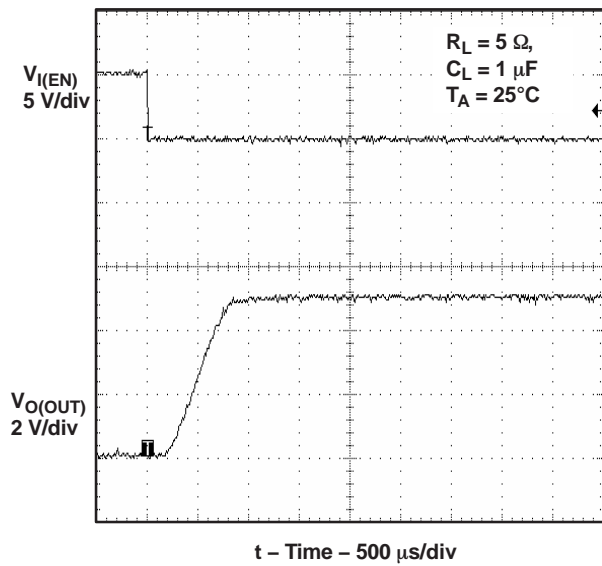


Figure 2. Turnon Delay and Rise Time With 1- $\mu$ F Load

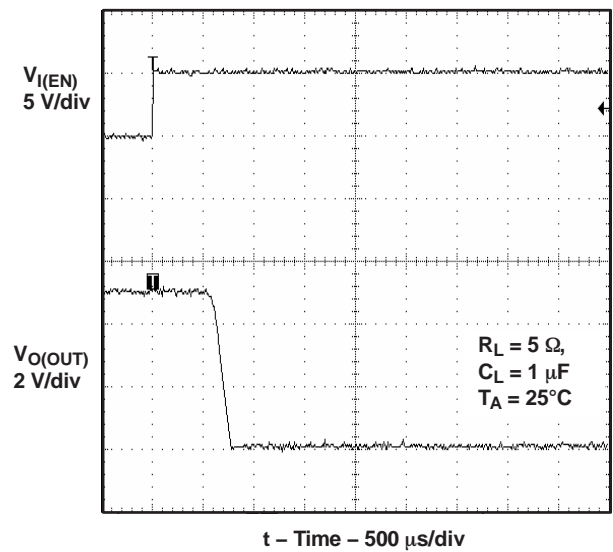


Figure 3. Turnoff Delay and Fall Time With 1- $\mu$ F Load

PARAMETER MEASUREMENT INFORMATION (continued)

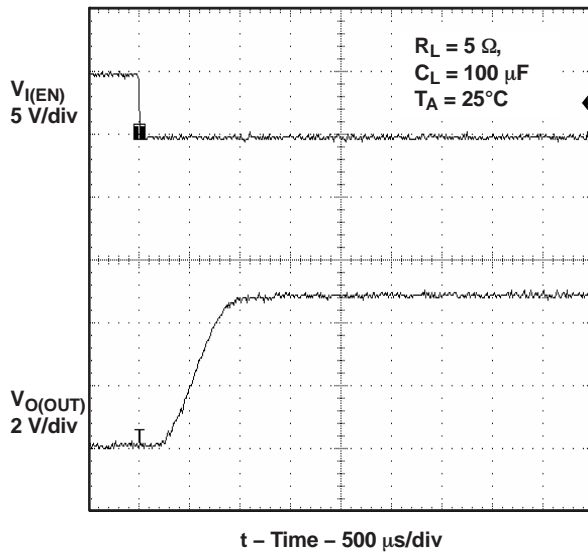


Figure 4. Turnon Delay and Rise Time With 100-µF Load

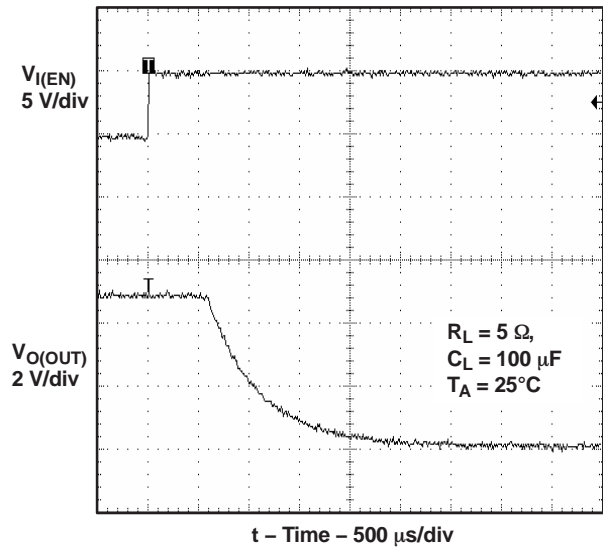


Figure 5. Turnoff Delay and Fall Time With 100-µF Load

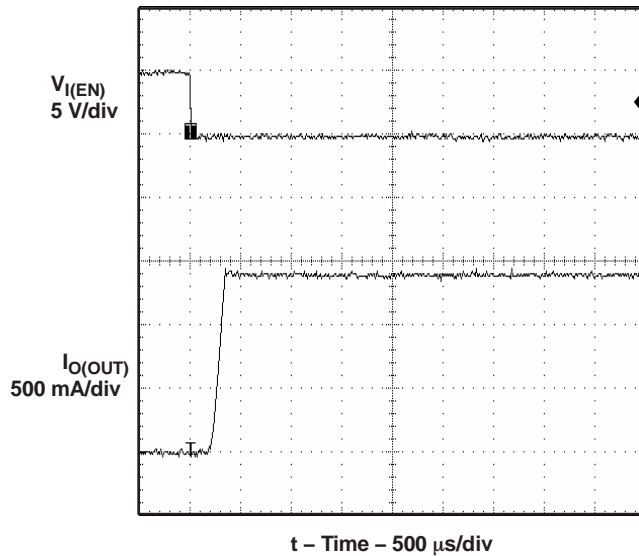


Figure 6. Short-Circuit Current, Device Enabled Into Short

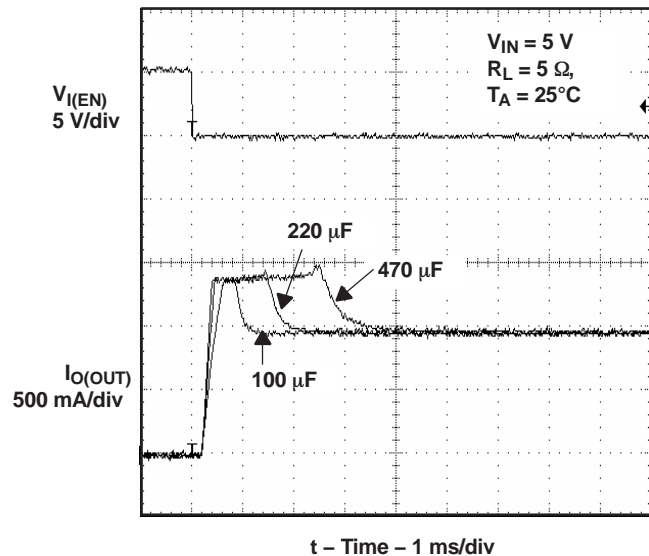


Figure 7. Inrush Current With Different Load Capacitance

PARAMETER MEASUREMENT INFORMATION (continued)

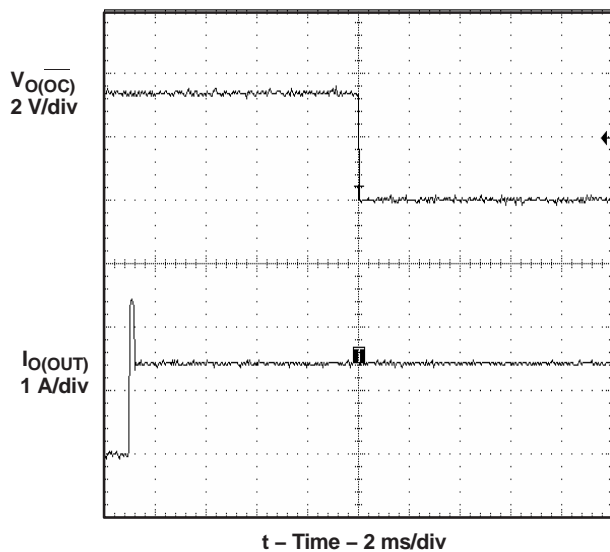


Figure 8. 2-Ω Load Connected to Enabled Device

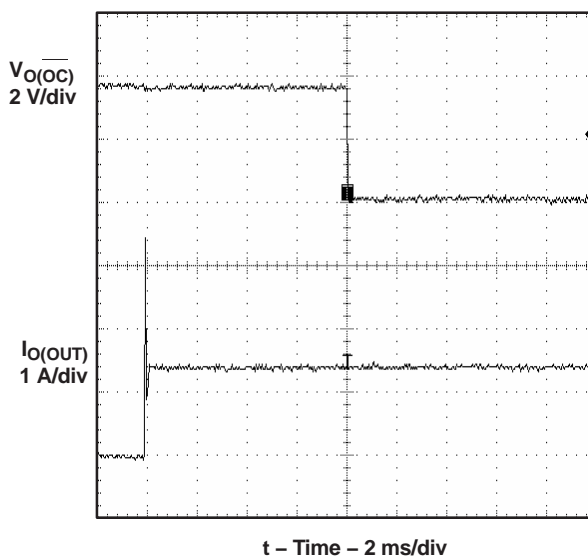


Figure 9. 1-Ω Load Connected to Enabled Device

TYPICAL CHARACTERISTICS

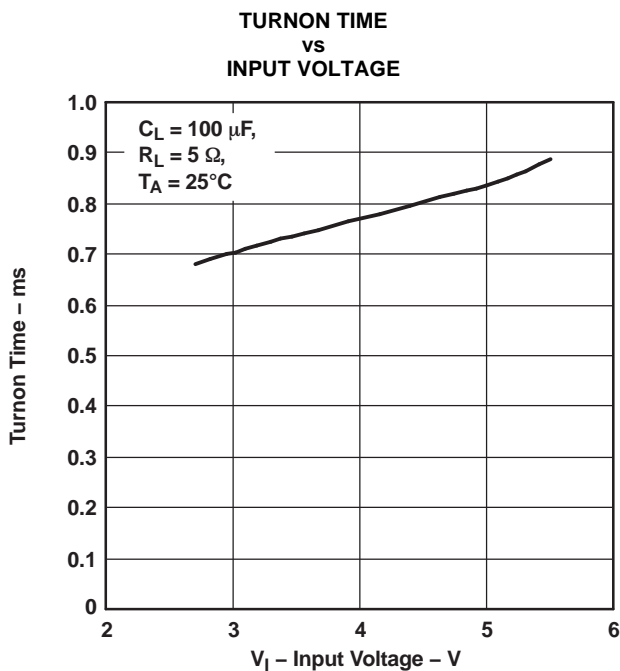


Figure 10.

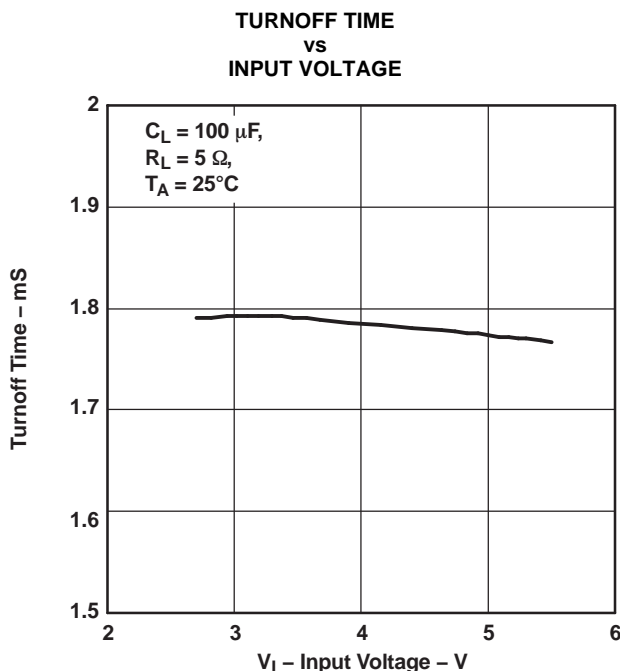


Figure 11.

TYPICAL CHARACTERISTICS (continued)

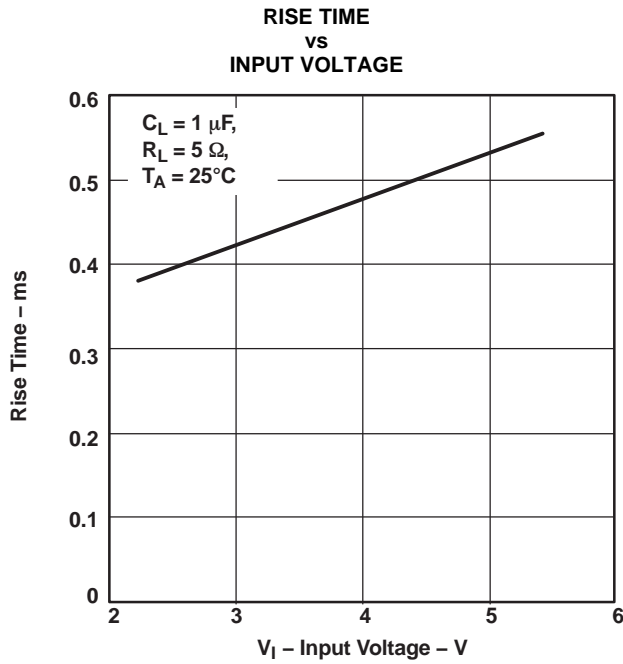


Figure 12.

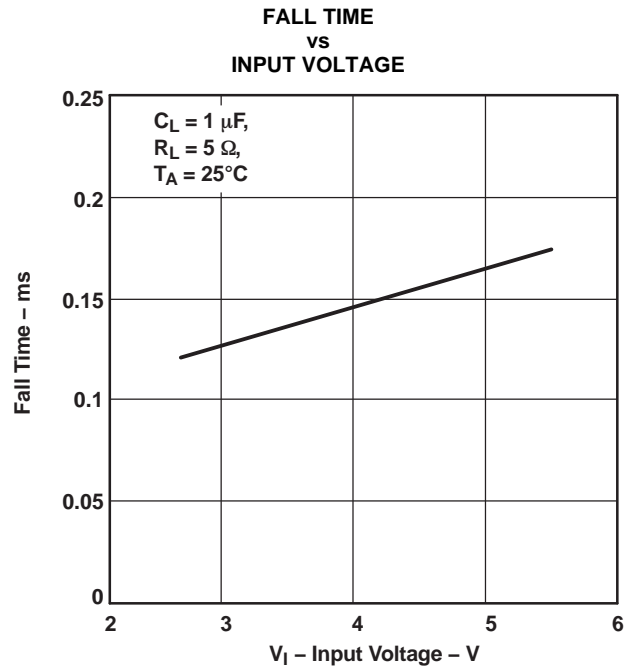


Figure 13.

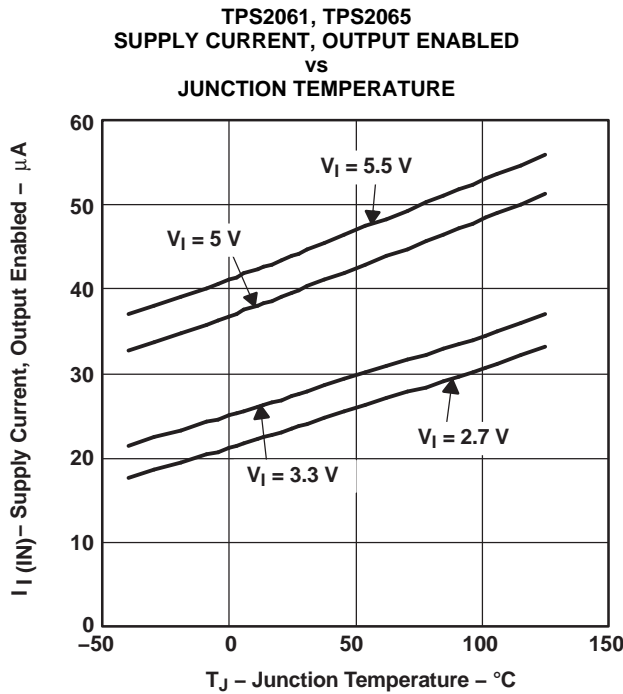


Figure 14.

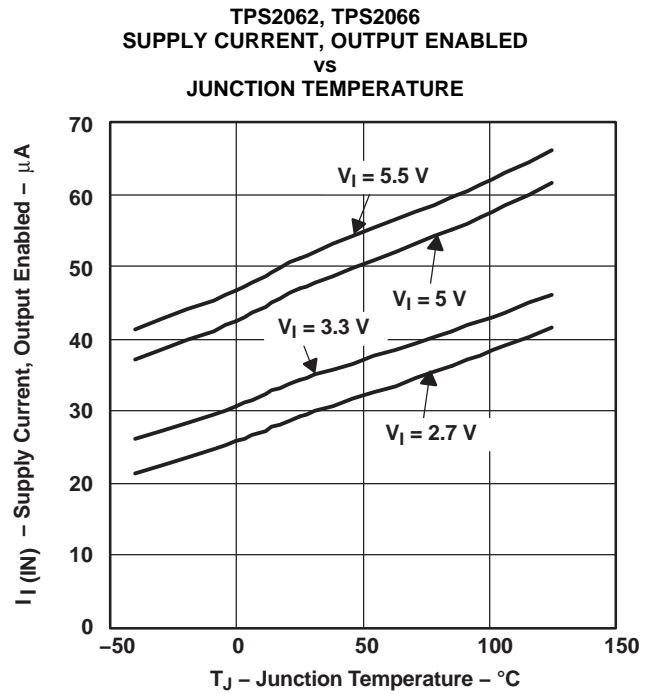


Figure 15.

TYPICAL CHARACTERISTICS (continued)

TPS2063, TPS2067  
SUPPLY CURRENT, OUTPUT ENABLED  
vs  
JUNCTION TEMPERATURE

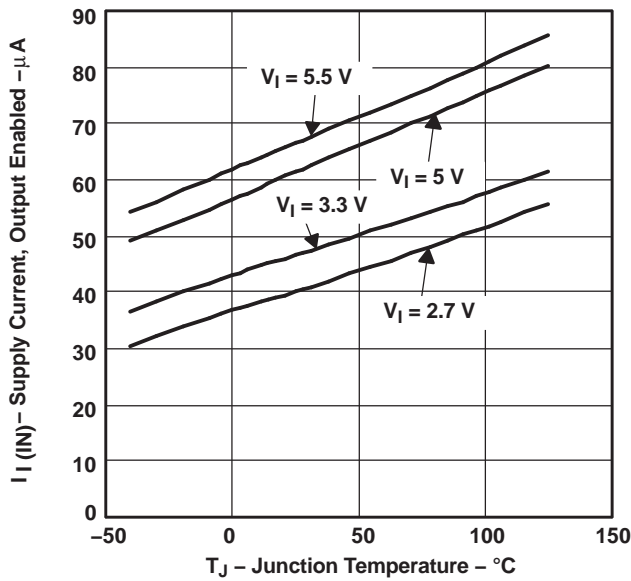


Figure 16.

TPS2061, TPS2065  
SUPPLY CURRENT, OUTPUT DISABLED  
vs  
JUNCTION TEMPERATURE

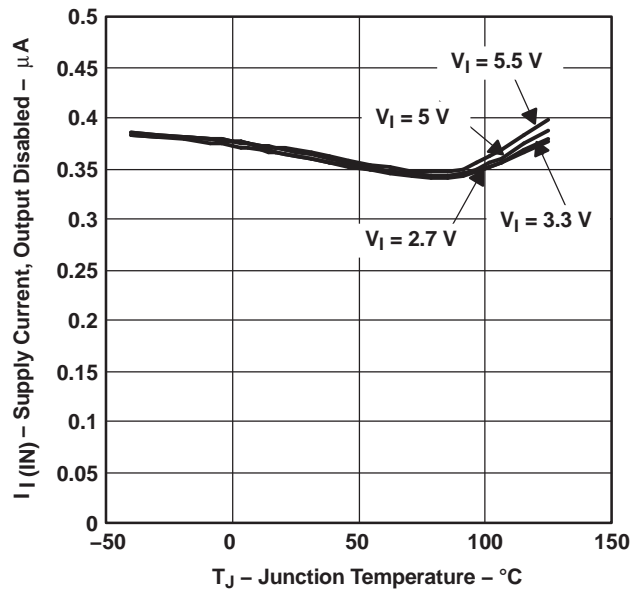


Figure 17.

TPS2062, TPS2066  
SUPPLY CURRENT, OUTPUT DISABLED  
vs  
JUNCTION TEMPERATURE

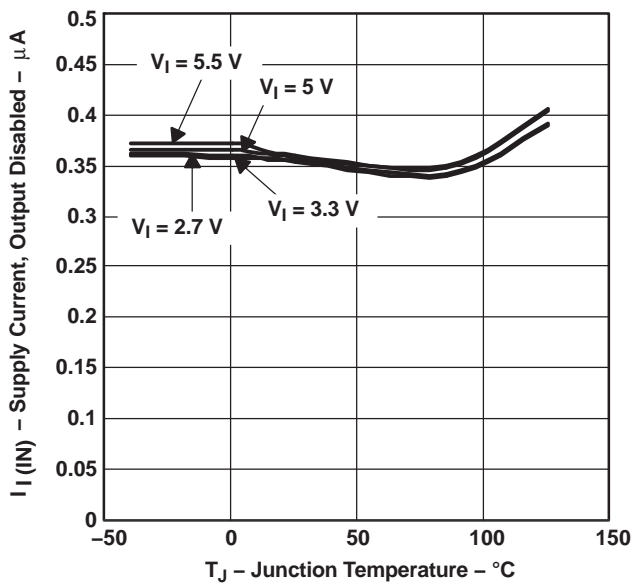


Figure 18.

TPS2063, TPS2067  
SUPPLY CURRENT, OUTPUT DISABLED  
vs  
JUNCTION TEMPERATURE

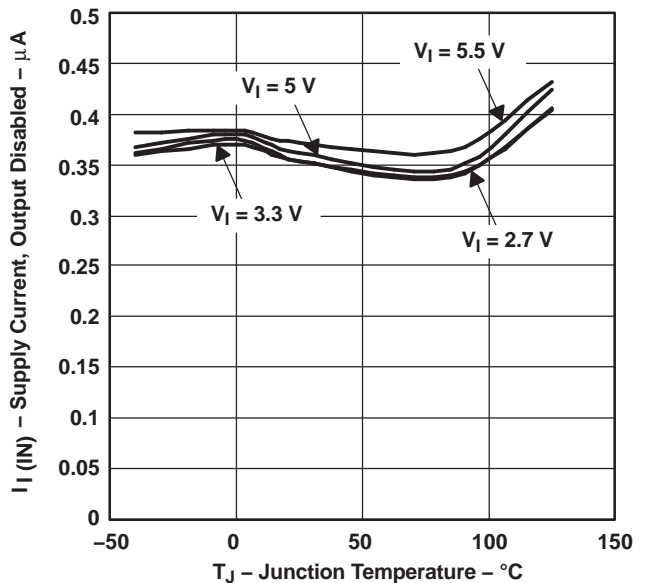


Figure 19.

TYPICAL CHARACTERISTICS (continued)

STATIC DRAIN-SOURCE ON-STATE RESISTANCE  
 VS  
 JUNCTION TEMPERATURE

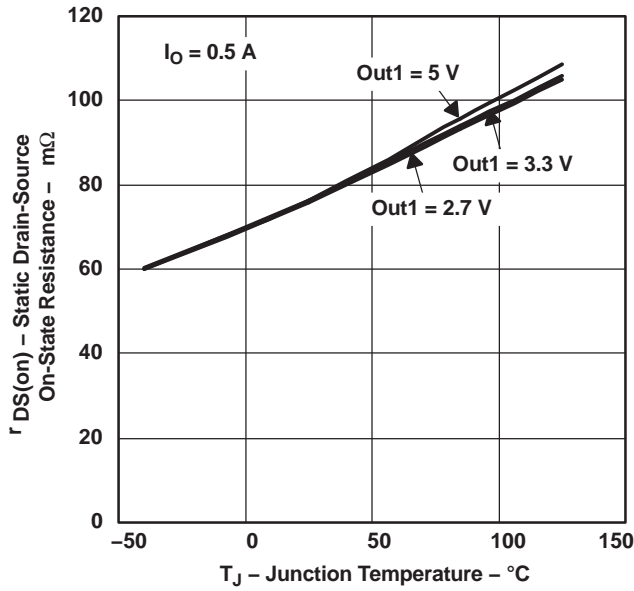


Figure 20.

SHORT-CIRCUIT OUTPUT CURRENT  
 VS  
 JUNCTION TEMPERATURE

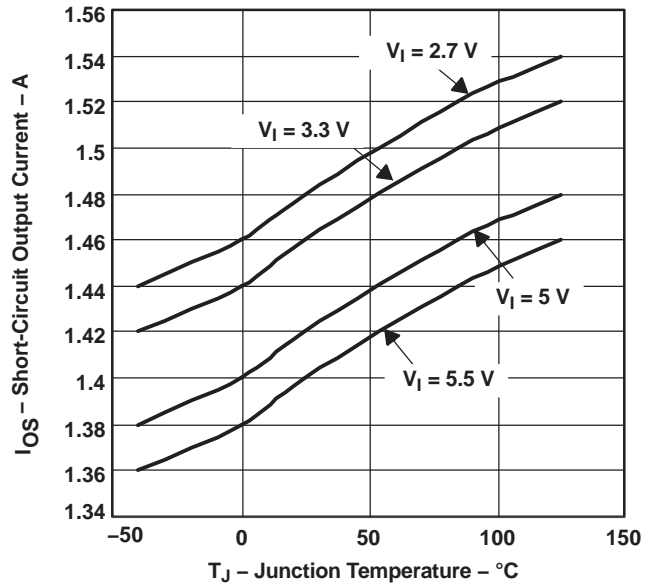


Figure 21.

THRESHOLD TRIP CURRENT  
 VS  
 INPUT VOLTAGE

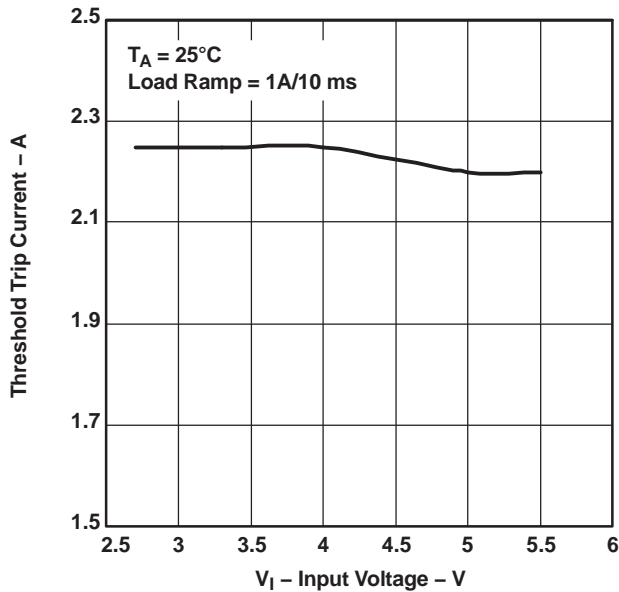


Figure 22.

UNDERVOLTAGE LOCKOUT  
 VS  
 JUNCTION TEMPERATURE

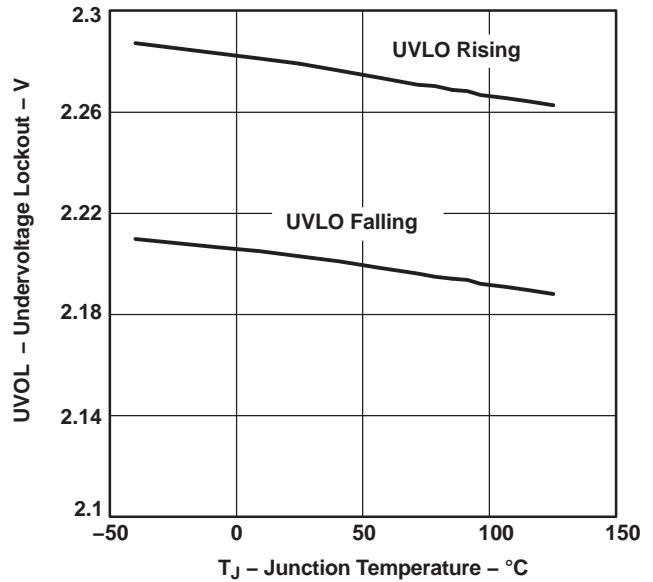
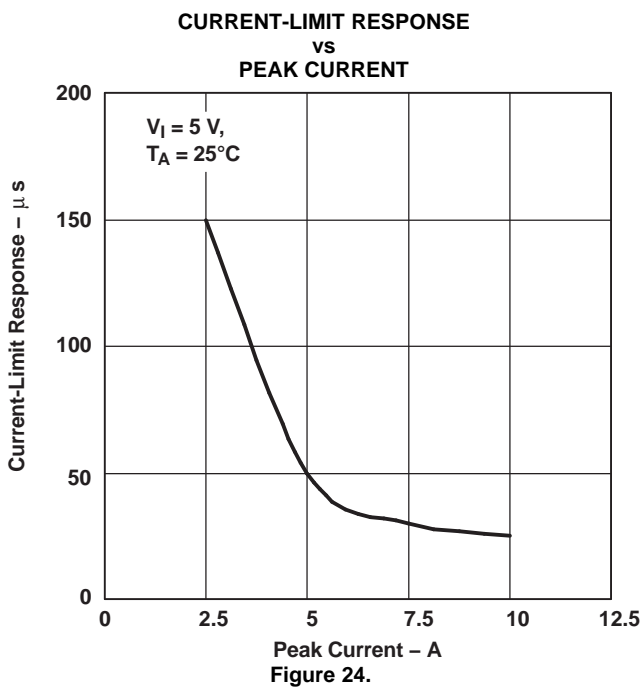


Figure 23.

TYPICAL CHARACTERISTICS (continued)



## APPLICATION INFORMATION

### POWER-SUPPLY CONSIDERATIONS

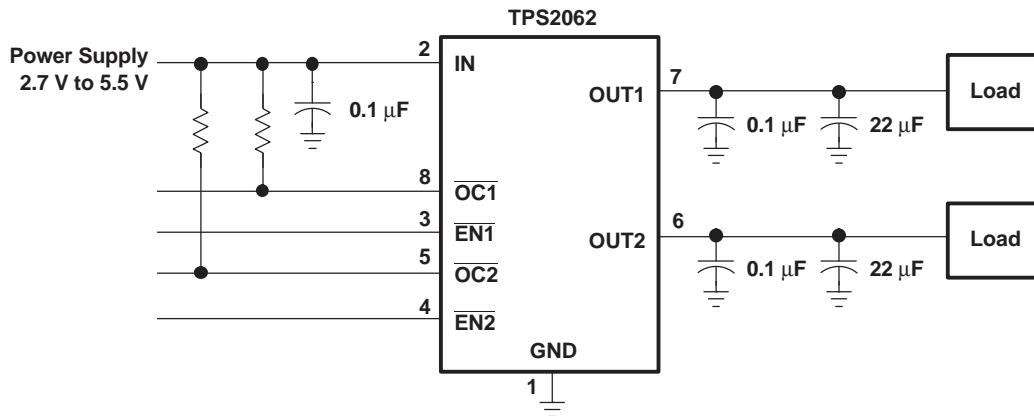


Figure 25. Typical Application

A 0.01- $\mu\text{F}$  to 0.1- $\mu\text{F}$  ceramic bypass capacitor between IN and GND, close to the device, is recommended. Placing a high-value electrolytic capacitor on the output pin(s) is recommended when the output load is heavy. This precaution reduces power-supply transients that may cause ringing on the input. Additionally, bypassing the output with a 0.01- $\mu\text{F}$  to 0.1- $\mu\text{F}$  ceramic capacitor improves the immunity of the device to short-circuit transients.

### OVERCURRENT

A sense FET is employed to check for overcurrent conditions. Unlike current-sense resistors, sense FETs do not increase the series resistance of the current path. When an overcurrent condition is detected, the device maintains a constant output current and reduces the output voltage accordingly. Complete shutdown occurs only if the fault is present long enough to activate thermal limiting.

Three possible overload conditions can occur. In the first condition, the output has been shorted before the device is enabled or before  $V_{I(IN)}$  has been applied (see Figure 15). The TPS206x senses the short and immediately switches into a constant-current output.

In the second condition, a short or an overload occurs while the device is enabled. At the instant the overload occurs, high currents may flow for a short period of time before the current-limit circuit can react. After the current-limit circuit has tripped (reached the overcurrent trip threshold), the device switches into constant-current mode.

In the third condition, the load has been gradually increased beyond the recommended operating current. The current is permitted to rise until the current-limit threshold is reached or until the thermal limit of the device is exceeded (see Figure 18). The TPS206x is capable of delivering current up to the current-limit threshold without damaging the device. Once the threshold has been reached, the device switches into its constant-current mode.

### OC RESPONSE

The  $\overline{\text{OCx}}$  open-drain output is asserted (active low) when an overcurrent or overtemperature shutdown condition is encountered after a 10-ms deglitch timeout. The output remains asserted until the overcurrent or overtemperature condition is removed. Connecting a heavy capacitive load to an enabled device can cause a momentary overcurrent condition; however, no false reporting on  $\overline{\text{OCx}}$  occurs due to the 10-ms deglitch circuit. The TPS206x is designed to eliminate false overcurrent reporting. The internal overcurrent deglitch eliminates the need for external components to remove unwanted pulses.  $\overline{\text{OCx}}$  is not deglitched when the switch is turned off due to an overtemperature shutdown.

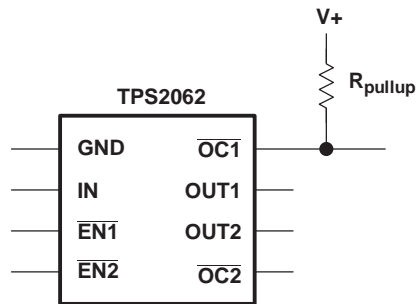


Figure 26. Typical Circuit for the  $\overline{OC}$  Pin

## POWER DISSIPATION AND JUNCTION TEMPERATURE

The low on-resistance on the N-channel MOSFET allows the small surface-mount packages to pass large currents. The thermal resistances of these packages are high compared to those of power packages; it is good design practice to check power dissipation and junction temperature. Begin by determining the  $r_{DS(on)}$  of the N-channel MOSFET relative to the input voltage and operating temperature. As an initial estimate, use the highest operating ambient temperature of interest and read  $r_{DS(on)}$  from [Figure 20](#). Using this value, the power dissipation per switch can be calculated by:

- $P_D = r_{DS(on)} \times I^2$

Multiply this number by the number of switches being used. This step renders the total power dissipation from the N-channel MOSFETs.

The thermal resistance,  $R_{\theta JA} = 1 / (\text{DERATING FACTOR})$ , where DERATING FACTOR is obtained from the Dissipation Ratings Table. Thermal resistance is a strong function of the printed circuit board construction, and the copper trace area connecting the integrated circuit.

Finally, calculate the junction temperature:

- $T_J = P_D \times R_{\theta JA} + T_A$

Where:

- $T_A$  = Ambient temperature °C
- $R_{\theta JA}$  = Thermal resistance
- $P_D$  = Total power dissipation based on number of switches being used.

Compare the calculated junction temperature with the initial estimate. If they do not agree within a few degrees, repeat the calculation, using the calculated value as the new estimate. Two or three iterations are generally sufficient to get a reasonable answer.

## THERMAL PROTECTION

Thermal protection prevents damage to the IC when heavy-overload or short-circuit faults are present for extended periods of time. The TPS206x implements a thermal sensing to monitor the operating junction temperature of the power distribution switch. In an overcurrent or short-circuit condition, the junction temperature rises due to excessive power dissipation. Once the die temperature rises above a minimum of 135°C due to overcurrent conditions, the internal thermal sense circuitry turns the power switch off, thus preventing the power switch from damage. Hysteresis is built into the thermal sense circuit, and after the device has cooled approximately 10°C, the switch turns back on. The switch continues to cycle in this manner until the load fault or input power is removed. The OCx open-drain output is asserted (active low) when an overtemperature shutdown or overcurrent occurs.

## UNDERVOLTAGE LOCKOUT (UVLO)

An undervoltage lockout ensures that the power switch is in the off state at power up. Whenever the input voltage falls below approximately 2 V, the power switch is quickly turned off. This facilitates the design of hot-insertion systems where it is not possible to turn off the power switch before input power is removed. The UVLO also keeps the switch from being turned on until the power supply has reached at least 2 V, even if the switch is enabled. On reinsertion, the power switch is turned on, with a controlled rise time to reduce EMI and voltage overshoots.

## UNIVERSAL SERIAL BUS (USB) APPLICATIONS

The universal serial bus (USB) interface is a 12-Mb/s, or 1.5-Mb/s, multiplexed serial bus designed for low-to-medium bandwidth PC peripherals (e.g., keyboards, printers, scanners, and mice). The four-wire USB interface is conceived for dynamic attach-detach (hot plug-unplug) of peripherals. Two lines are provided for differential data, and two lines are provided for 5-V power distribution.

USB data is a 3.3-V level signal, but power is distributed at 5 V to allow for voltage drops in cases where power is distributed through more than one hub across long cables. Each function must provide its own regulated 3.3 V from the 5-V input or its own internal power supply.

The USB specification defines the following five classes of devices, each differentiated by power-consumption requirements:

- Hosts/self-powered hubs (SPH)
- Bus-powered hubs (BPH)
- Low-power, bus-powered functions
- High-power, bus-powered functions
- Self-powered functions

SPHs and BPHs distribute data and power to downstream functions. The TPS206x has higher current capability than required by one USB port; so, it can be used on the host side and supplies power to multiple downstream ports or functions.

## HOST/SELF-POWERED AND BUS-POWERED HUBS

Hosts and SPHs have a local power supply that powers the embedded functions and the downstream ports (see [Figure 27](#)). This power supply must provide from 5.25 V to 4.75 V to the board side of the downstream connection under full-load and no-load conditions. Hosts and SPHs are required to have current-limit protection and must report overcurrent conditions to the USB controller. Typical SPHs are desktop PCs, monitors, printers, and stand-alone hubs.

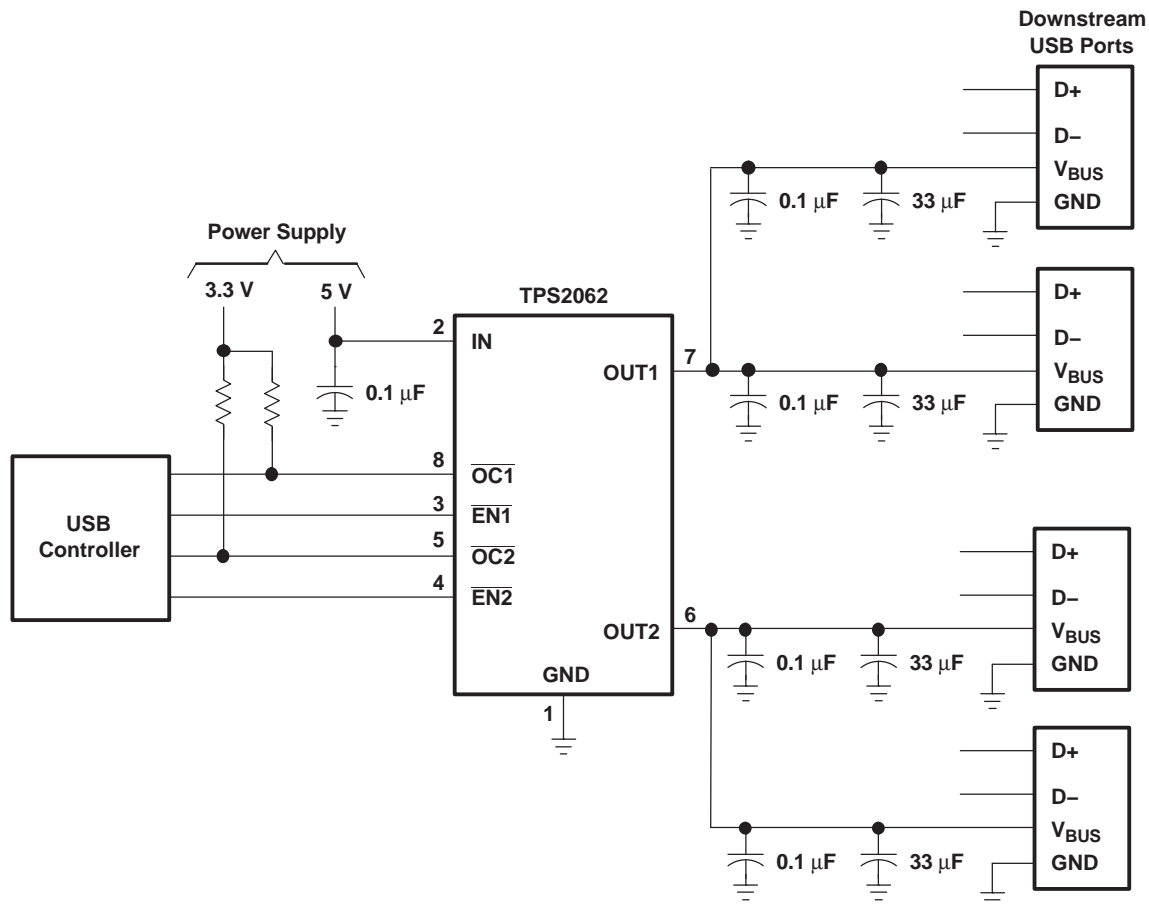


Figure 27. Typical Four-Port USB Host / Self-Powered Hub

BPHs obtain all power from upstream ports and often contain an embedded function. The hubs are required to power up with less than one unit load. The BPH usually has one embedded function, and power is always available to the controller of the hub. If the embedded function and hub require more than 100 mA on power up, the power to the embedded function may need to be kept off until enumeration is completed. This can be accomplished by removing power or by shutting off the clock to the embedded function. Power switching the embedded function is not necessary if the aggregate power draw for the function and controller is less than one unit load. The total current drawn by the bus-powered device is the sum of the current to the controller, the embedded function, and the downstream ports, and it is limited to 500 mA from an upstream port.

## LOW-POWER BUS-POWERED AND HIGH-POWER BUS-POWERED FUNCTIONS

Both low-power and high-power bus-powered functions obtain all power from upstream ports; low-power functions always draw less than 100 mA; high-power functions must draw less than 100 mA at power up and can draw up to 500 mA after enumeration. If the load of the function is more than the parallel combination of 44 Ω and 10 μF at power up, the device must implement inrush current limiting (see Figure 28). With TPS206x, the internal functions could draw more than 500 mA, which fits the needs of some applications such as motor driving circuits.

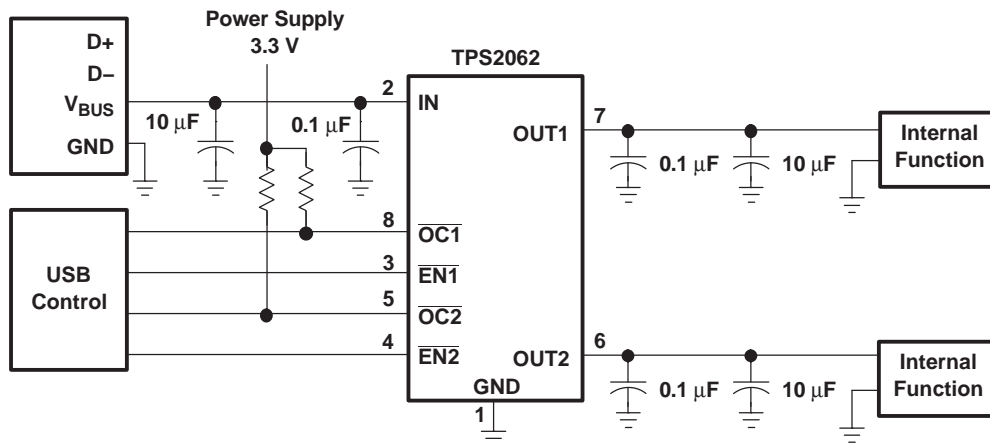


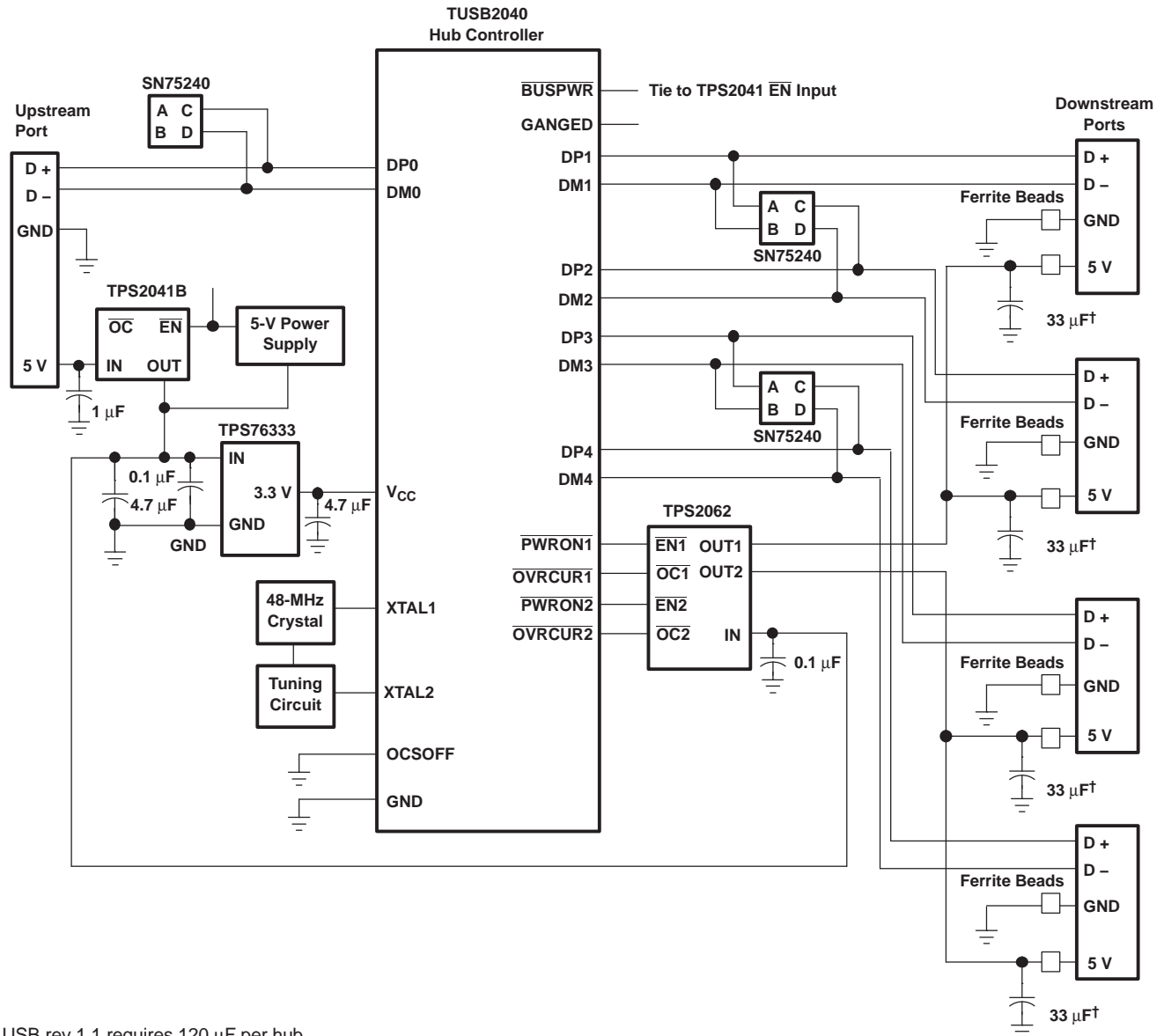
Figure 28. High-Power Bus-Powered Function

## USB POWER-DISTRIBUTION REQUIREMENTS

USB can be implemented in several ways, and, regardless of the type of USB device being developed, several power-distribution features must be implemented.

- Hosts/SPHs must:
  - Current-limit downstream ports
  - Report overcurrent conditions on USB  $V_{BUS}$
- BPHs must:
  - Enable/disable power to downstream ports
  - Power up at <100 mA
  - Limit inrush current (<44  $\Omega$  and 10  $\mu\text{F}$ )
- Functions must:
  - Limit inrush currents
  - Power up at <100 mA

The feature set of the TPS206x allows them to meet each of these requirements. The integrated current-limiting and overcurrent reporting is required by hosts and self-powered hubs. The logic-level enable and controlled rise times meet the need of both input and output ports on bus-powered hubs, as well as the input ports for bus-powered functions (see [Figure 29](#)).



† USB rev 1.1 requires 120 µF per hub.

Figure 29. Hybrid Self / Bus-Powered Hub Implementation

## GENERIC HOT-PLUG APPLICATIONS

In many applications it may be necessary to remove modules or pc boards while the main unit is still operating. These are considered hot-plug applications. Such implementations require the control of current surges seen by the main power supply and the card being inserted. The most effective way to control these surges is to limit and slowly ramp the current and voltage being applied to the card, similar to the way in which a power supply normally turns on. Due to the controlled rise times and fall times of the TPS206x, these devices can be used to provide a softer start-up to devices being hot-plugged into a powered system. The UVLO feature of the TPS206x also ensures that the switch is off after the card has been removed, and that the switch is off during the next insertion. The UVLO feature insures a soft start with a controlled rise time for every insertion of the card or module.

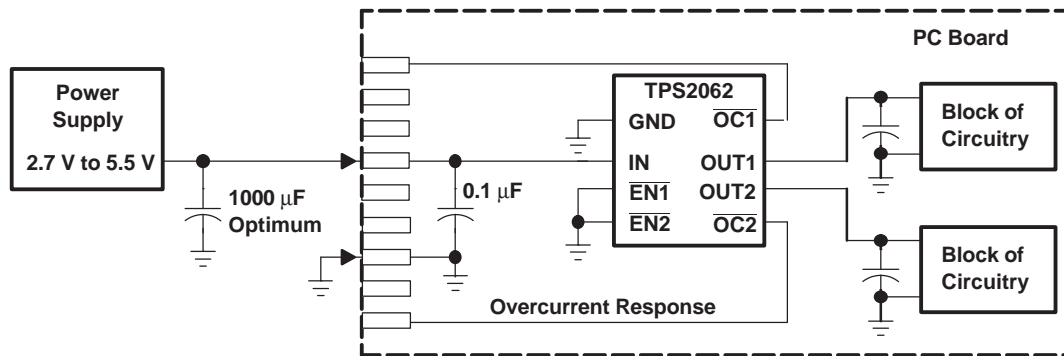


Figure 30. Typical Hot-Plug Implementation

By placing the TPS206x between the  $V_{CC}$  input and the rest of the circuitry, the input power reaches these devices first after insertion. The typical rise time of the switch is approximately 1 ms, providing a slow voltage ramp at the output of the device. This implementation controls system surge currents and provides a hot-plugging mechanism for any device.

## DETAILED DESCRIPTION

### Power Switch

The power switch is an N-channel MOSFET with a low on-state resistance. Configured as a high-side switch, the power switch prevents current flow from OUT to IN and IN to OUT when disabled. The power switch supplies a minimum current of 1 A.

### Charge Pump

An internal charge pump supplies power to the driver circuit and provides the necessary voltage to pull the gate of the MOSFET above the source. The charge pump operates from input voltages as low as 2.7 V and requires little supply current.

### Driver

The driver controls the gate voltage of the power switch. To limit large current surges and reduce the associated electromagnetic interference (EMI) produced, the driver incorporates circuitry that controls the rise times and fall times of the output voltage.

### Enable ( $\overline{ENx}$ or $ENx$ )

The logic enable disables the power switch and the bias for the charge pump, driver, and other circuitry to reduce the supply current. The supply current is reduced to less than 1  $\mu A$  when a logic high is present on  $\overline{ENx}$ , or when a logic low is present on  $ENx$ . A logic zero input on  $\overline{ENx}$ , or a logic high input on  $ENx$  restores bias to the drive and control circuits and turns the switch on. The enable input is compatible with both TTL and CMOS logic levels.

### Overcurrent ( $\overline{OCx}$ )

The  $\overline{OCx}$  open-drain output is asserted (active low) when an overcurrent or overtemperature condition is encountered. The output remains asserted until the overcurrent or overtemperature condition is removed. A 10-ms deglitch circuit prevents the  $\overline{OCx}$  signal from oscillation or false triggering. If an overtemperature shutdown occurs, the  $\overline{OCx}$  is asserted instantaneously.

## Current Sense

A sense FET monitors the current supplied to the load. The sense FET measures current more efficiently than conventional resistance methods. When an overload or short circuit is encountered, the current-sense circuitry sends a control signal to the driver. The driver in turn reduces the gate voltage and drives the power FET into its saturation region, which switches the output into a constant-current mode and holds the current constant while varying the voltage on the load.

## Thermal Sense

The TPS206x implements a thermal sensing to monitor the operating temperature of the power distribution switch. In an overcurrent or short-circuit condition the junction temperature rises. When the die temperature rises to approximately 140°C due to overcurrent conditions, the internal thermal sense circuitry turns off the switch, thus preventing the device from damage. Hysteresis is built into the thermal sense, and after the device has cooled approximately 10 degrees, the switch turns back on. The switch continues to cycle off and on until the fault is removed. The open-drain false reporting output ( $\overline{OCx}$ ) is asserted (active low) when an overtemperature shutdown or overcurrent occurs.

## Undervoltage Lockout

A voltage sense circuit monitors the input voltage. When the input voltage is below approximately 2 V, a control signal turns off the power switch.

## REVISION HISTORY

| Changes from Original (December 2003) to Revision A  | Page |
|--|------|
| • Added devices to the data sheet- TPS2063, TPS2065, TPS2066, TPS2067 .....  | 1    |
| • Added the General Switch Catalog .....   | 1    |
| Changes from Revision A (July 2004) to Revision B  | Page |
| • Changed Features Bullet From: UL Pending To: UL Listed - File No. E169910 .....  | 1    |
| • Changed Electrical Characteristics - CURRENT LIMIT information. ....   | 4    |
| Changes from Revision C (January 2006) to Revision D   | Page |
| • Changed ORDERING INFORMATION table .....   | 2    |
| Changes from Revision D (February 2007) to Revision E  | Page |
| • Changed General Switch Catalog information. ....   | 1    |
| Changes from Revision E (September 2007) to Revision F   | Page |
| • Added the DBV-5 package. ....  | 1    |
| • Added the DBV-5 package option. ....   | 1    |
| • Added the DBV-5 package option to the Dissipation Ratings table. ....  | 3    |
| • Changed Thermal Sense paragraph: From: Once the die temperature rises to approximately 140°C To: Once the die temperature rises above a minimum of 135°C ..... | 17   |

**Changes from Revision F (April 2008) to Revision G** **Page**

- Changed DBV-5 to Product Preview. .... 1

**Changes from Revision G (July 2008) to Revision H** **Page**

- Deleted Product Preview from the DBV package ..... 1
- Changed TPS2061DBV status From Preview to Active ..... 2
- Changed TPS2065DBV status From Preview to Active ..... 2

**Changes from Revision H (December 2008) to Revision I** **Page**

- Changed the ESD statement ..... 2
- Deleted temp range of 0°C to 70°C from the Available Option table. .... 2
- Added Note to the Available Options table - The printed circuit board layout is important for control of temperature rise when operated at high ambient temperatures ..... 2
- Deleted temp range of 0°C to 70°C from the Ordering Information table. .... 2
- Added Note to the Ordering Information table - The printed circuit board layout is important for control of temperature rise when operated at high ambient temperatures ..... 2
- Changed the Abs Max Ratings table - Operating virtual junction temperature range From: -40°C to 125°C To: -40°C to 150°C ..... 3
- Deleted Storage temperature range,  $T_{stg}$  from the Abs Max Ratings table ..... 3
- Deleted MIL-STD-883C reference from ESD in the Abs Max table ..... 3
- Added 3 table notes to the Dissipation Ratings table. .... 3
- Added Addition values for the DBV-5 option in the Dissipation Ratings table. .... 3
- Deleted Note - Not tested in production, specified by design from  $r_{DS(on)}$  in the Electrical Characteristics table. .... 3
- Deleted Note - Not tested in production, specified by design from  $t_r$  in the Electrical Characteristics table. .... 3
- Deleted Note - Not tested in production, specified by design from  $t_f$  in the Electrical Characteristics table. .... 3
- Added text to the POWER DISSIPATION section - The thermal resistance,  $R_{\theta JA}$  ..... 17

**PACKAGING INFORMATION**

| Orderable Device | Status<br>(1) | Package Type  | Package Drawing | Pins | Package Qty | Eco Plan<br>(2)         | Lead/Ball Finish<br>(6)    | MSL Peak Temp<br>(3) | Op Temp (°C) | Device Marking<br>(4/5) | Samples                 |
|------------------|---------------|---------------|-----------------|------|-------------|-------------------------|----------------------------|----------------------|--------------|-------------------------|-------------------------|
| TPS2061D         | ACTIVE        | SOIC          | D               | 8    | 75          | Green (RoHS & no Sb/Br) | CU NIPDAU                  | Level-1-260C-UNLIM   | -40 to 85    | 2061                    | <a href="#">Samples</a> |
| TPS2061DBVR      | ACTIVE        | SOT-23        | DBV             | 5    | 3000        | Green (RoHS & no Sb/Br) | CU NIPDAU                  | Level-1-260C-UNLIM   | 0 to 70      | 2061                    | <a href="#">Samples</a> |
| TPS2061DBVT      | ACTIVE        | SOT-23        | DBV             | 5    | 250         | Green (RoHS & no Sb/Br) | CU NIPDAU                  | Level-1-260C-UNLIM   | 0 to 70      | 2061                    | <a href="#">Samples</a> |
| TPS2061DG4       | ACTIVE        | SOIC          | D               | 8    | 75          | Green (RoHS & no Sb/Br) | CU NIPDAU                  | Level-1-260C-UNLIM   | -40 to 85    | 2061                    | <a href="#">Samples</a> |
| TPS2061DGN       | ACTIVE        | MSOP-PowerPAD | DGN             | 8    | 80          | Green (RoHS & no Sb/Br) | CU NIPDAU  <br>CU NIPDAUAG | Level-1-260C-UNLIM   | -40 to 85    | 2061                    | <a href="#">Samples</a> |
| TPS2061DGNR      | ACTIVE        | MSOP-PowerPAD | DGN             | 8    | 2500        | Green (RoHS & no Sb/Br) | CU NIPDAU  <br>CU NIPDAUAG | Level-1-260C-UNLIM   | -40 to 85    | 2061                    | <a href="#">Samples</a> |
| TPS2061DGNRG4    | ACTIVE        | MSOP-PowerPAD | DGN             | 8    | 2500        | Green (RoHS & no Sb/Br) | CU NIPDAUAG                | Level-1-260C-UNLIM   | -40 to 85    | 2061                    | <a href="#">Samples</a> |
| TPS2061DR        | ACTIVE        | SOIC          | D               | 8    | 2500        | Green (RoHS & no Sb/Br) | CU NIPDAU                  | Level-1-260C-UNLIM   | -40 to 85    | 2061                    | <a href="#">Samples</a> |
| TPS2062D         | ACTIVE        | SOIC          | D               | 8    | 75          | Green (RoHS & no Sb/Br) | CU NIPDAU                  | Level-1-260C-UNLIM   | -40 to 85    | 2062                    | <a href="#">Samples</a> |
| TPS2062DG4       | ACTIVE        | SOIC          | D               | 8    | 75          | Green (RoHS & no Sb/Br) | CU NIPDAU                  | Level-1-260C-UNLIM   | -40 to 85    | 2062                    | <a href="#">Samples</a> |
| TPS2062DGN       | ACTIVE        | MSOP-PowerPAD | DGN             | 8    | 80          | Green (RoHS & no Sb/Br) | CU NIPDAU  <br>CU NIPDAUAG | Level-1-260C-UNLIM   | -40 to 85    | 2062                    | <a href="#">Samples</a> |
| TPS2062DGNG4     | ACTIVE        | MSOP-PowerPAD | DGN             | 8    | 80          | Green (RoHS & no Sb/Br) | CU NIPDAUAG                | Level-1-260C-UNLIM   | -40 to 85    | 2062                    | <a href="#">Samples</a> |
| TPS2062DGNR      | ACTIVE        | MSOP-PowerPAD | DGN             | 8    | 2500        | Green (RoHS & no Sb/Br) | CU NIPDAU  <br>CU NIPDAUAG | Level-1-260C-UNLIM   | -40 to 85    | 2062                    | <a href="#">Samples</a> |
| TPS2062DR        | ACTIVE        | SOIC          | D               | 8    | 2500        | Green (RoHS & no Sb/Br) | CU NIPDAU                  | Level-1-260C-UNLIM   | -40 to 85    | 2062                    | <a href="#">Samples</a> |
| TPS2062DRG4      | ACTIVE        | SOIC          | D               | 8    | 2500        | Green (RoHS & no Sb/Br) | CU NIPDAU                  | Level-1-260C-UNLIM   | -40 to 85    | 2062                    | <a href="#">Samples</a> |
| TPS2063D         | ACTIVE        | SOIC          | D               | 16   | 40          | Green (RoHS & no Sb/Br) | CU NIPDAU                  | Level-1-260C-UNLIM   | -40 to 85    | 2063                    | <a href="#">Samples</a> |
| TPS2063DG4       | ACTIVE        | SOIC          | D               | 16   | 40          | Green (RoHS & no Sb/Br) | CU NIPDAU                  | Level-1-260C-UNLIM   | -40 to 85    | 2063                    | <a href="#">Samples</a> |

| Orderable Device | Status<br>(1) | Package Type      | Package<br>Drawing | Pins | Package<br>Qty | Eco Plan<br>(2)            | Lead/Ball Finish<br>(6)    | MSL Peak Temp<br>(3) | Op Temp (°C) | Device Marking<br>(4/5) | Samples                 |
|------------------|---------------|-------------------|--------------------|------|----------------|----------------------------|----------------------------|----------------------|--------------|-------------------------|-------------------------|
| TPS2063DR        | ACTIVE        | SOIC              | D                  | 16   | 2500           | Green (RoHS<br>& no Sb/Br) | CU NIPDAU                  | Level-1-260C-UNLIM   | -40 to 85    | 2063                    | <a href="#">Samples</a> |
| TPS2063DRG4      | ACTIVE        | SOIC              | D                  | 16   | 2500           | Green (RoHS<br>& no Sb/Br) | CU NIPDAU                  | Level-1-260C-UNLIM   | -40 to 85    | 2063                    | <a href="#">Samples</a> |
| TPS2065D         | ACTIVE        | SOIC              | D                  | 8    | 75             | Green (RoHS<br>& no Sb/Br) | CU NIPDAU                  | Level-1-260C-UNLIM   | -40 to 85    | 2065                    | <a href="#">Samples</a> |
| TPS2065DBVR      | ACTIVE        | SOT-23            | DBV                | 5    | 3000           | Green (RoHS<br>& no Sb/Br) | CU NIPDAU                  | Level-1-260C-UNLIM   | -40 to 85    | 2065                    | <a href="#">Samples</a> |
| TPS2065DBVT      | ACTIVE        | SOT-23            | DBV                | 5    | 250            | Green (RoHS<br>& no Sb/Br) | CU NIPDAU                  | Level-1-260C-UNLIM   | -40 to 85    | 2065                    | <a href="#">Samples</a> |
| TPS2065DG4       | ACTIVE        | SOIC              | D                  | 8    | 75             | Green (RoHS<br>& no Sb/Br) | CU NIPDAU                  | Level-1-260C-UNLIM   | -40 to 85    | 2065                    | <a href="#">Samples</a> |
| TPS2065DGN       | ACTIVE        | MSOP-<br>PowerPAD | DGN                | 8    | 80             | Green (RoHS<br>& no Sb/Br) | CU NIPDAU  <br>CU NIPDAUAG | Level-1-260C-UNLIM   | -40 to 85    | 2065                    | <a href="#">Samples</a> |
| TPS2065DGNR      | ACTIVE        | MSOP-<br>PowerPAD | DGN                | 8    | 2500           | Green (RoHS<br>& no Sb/Br) | CU NIPDAU  <br>CU NIPDAUAG | Level-1-260C-UNLIM   | -40 to 85    | 2065                    | <a href="#">Samples</a> |
| TPS2065DGNRG4    | ACTIVE        | MSOP-<br>PowerPAD | DGN                | 8    | 2500           | Green (RoHS<br>& no Sb/Br) | CU NIPDAUAG                | Level-1-260C-UNLIM   | -40 to 85    | 2065                    | <a href="#">Samples</a> |
| TPS2065DR        | ACTIVE        | SOIC              | D                  | 8    | 2500           | Green (RoHS<br>& no Sb/Br) | CU NIPDAU                  | Level-1-260C-UNLIM   | -40 to 85    | 2065                    | <a href="#">Samples</a> |
| TPS2066D         | ACTIVE        | SOIC              | D                  | 8    | 75             | Green (RoHS<br>& no Sb/Br) | CU NIPDAU                  | Level-1-260C-UNLIM   | -40 to 85    | 2066                    | <a href="#">Samples</a> |
| TPS2066DGN       | ACTIVE        | MSOP-<br>PowerPAD | DGN                | 8    | 80             | Green (RoHS<br>& no Sb/Br) | CU NIPDAU  <br>CU NIPDAUAG | Level-1-260C-UNLIM   | -40 to 85    | 2066                    | <a href="#">Samples</a> |
| TPS2066DGNG4     | ACTIVE        | MSOP-<br>PowerPAD | DGN                | 8    | 80             | Green (RoHS<br>& no Sb/Br) | CU NIPDAUAG                | Level-1-260C-UNLIM   | -40 to 85    | 2066                    | <a href="#">Samples</a> |
| TPS2066DGNR      | ACTIVE        | MSOP-<br>PowerPAD | DGN                | 8    | 2500           | Green (RoHS<br>& no Sb/Br) | CU NIPDAU  <br>CU NIPDAUAG | Level-1-260C-UNLIM   | -40 to 85    | 2066                    | <a href="#">Samples</a> |
| TPS2066DGNRG4    | ACTIVE        | MSOP-<br>PowerPAD | DGN                | 8    | 2500           | Green (RoHS<br>& no Sb/Br) | CU NIPDAUAG                | Level-1-260C-UNLIM   | -40 to 85    | 2066                    | <a href="#">Samples</a> |
| TPS2066DR        | ACTIVE        | SOIC              | D                  | 8    | 2500           | Green (RoHS<br>& no Sb/Br) | CU NIPDAU                  | Level-1-260C-UNLIM   | -40 to 85    | 2066                    | <a href="#">Samples</a> |
| TPS2066DRG4      | ACTIVE        | SOIC              | D                  | 8    | 2500           | Green (RoHS<br>& no Sb/Br) | CU NIPDAU                  | Level-1-260C-UNLIM   | -40 to 85    | 2066                    | <a href="#">Samples</a> |
| TPS2067D         | ACTIVE        | SOIC              | D                  | 16   | 40             | Green (RoHS<br>& no Sb/Br) | CU NIPDAU                  | Level-1-260C-UNLIM   | -40 to 85    | 2067                    | <a href="#">Samples</a> |

| Orderable Device | Status<br>(1) | Package Type | Package<br>Drawing | Pins | Package<br>Qty | Eco Plan<br>(2)            | Lead/Ball Finish<br>(6) | MSL Peak Temp<br>(3) | Op Temp (°C) | Device Marking<br>(4/5) | Samples                 |
|------------------|---------------|--------------|--------------------|------|----------------|----------------------------|-------------------------|----------------------|--------------|-------------------------|-------------------------|
| TPS2067DR        | ACTIVE        | SOIC         | D                  | 16   | 2500           | Green (RoHS<br>& no Sb/Br) | CU NIPDAU               | Level-1-260C-UNLIM   | -40 to 85    | 2067                    | <a href="#">Samples</a> |
| TPS2067DRG4      | ACTIVE        | SOIC         | D                  | 16   | 2500           | Green (RoHS<br>& no Sb/Br) | CU NIPDAU               | Level-1-260C-UNLIM   | -40 to 85    | 2067                    | <a href="#">Samples</a> |

(1) The marketing status values are defined as follows:

**ACTIVE:** Product device recommended for new designs.

**LIFEBUY:** TI has announced that the device will be discontinued, and a lifetime-buy period is in effect.

**NRND:** Not recommended for new designs. Device is in production to support existing customers, but TI does not recommend using this part in a new design.

**PREVIEW:** Device has been announced but is not in production. Samples may or may not be available.

**OBSOLETE:** TI has discontinued the production of the device.

(2) **RoHS:** TI defines "RoHS" to mean semiconductor products that are compliant with the current EU RoHS requirements for all 10 RoHS substances, including the requirement that RoHS substance do not exceed 0.1% by weight in homogeneous materials. Where designed to be soldered at high temperatures, "RoHS" products are suitable for use in specified lead-free processes. TI may reference these types of products as "Pb-Free".

**RoHS Exempt:** TI defines "RoHS Exempt" to mean products that contain lead but are compliant with EU RoHS pursuant to a specific EU RoHS exemption.

**Green:** TI defines "Green" to mean the content of Chlorine (Cl) and Bromine (Br) based flame retardants meet JS709B low halogen requirements of <=1000ppm threshold. Antimony trioxide based flame retardants must also meet the <=1000ppm threshold requirement.

(3) MSL, Peak Temp. - The Moisture Sensitivity Level rating according to the JEDEC industry standard classifications, and peak solder temperature.

(4) There may be additional marking, which relates to the logo, the lot trace code information, or the environmental category on the device.

(5) Multiple Device Markings will be inside parentheses. Only one Device Marking contained in parentheses and separated by a "~" will appear on a device. If a line is indented then it is a continuation of the previous line and the two combined represent the entire Device Marking for that device.

(6) Lead/Ball Finish - Orderable Devices may have multiple material finish options. Finish options are separated by a vertical ruled line. Lead/Ball Finish values may wrap to two lines if the finish value exceeds the maximum column width.

**Important Information and Disclaimer:**The information provided on this page represents TI's knowledge and belief as of the date that it is provided. TI bases its knowledge and belief on information provided by third parties, and makes no representation or warranty as to the accuracy of such information. Efforts are underway to better integrate information from third parties. TI has taken and continues to take reasonable steps to provide representative and accurate information but may not have conducted destructive testing or chemical analysis on incoming materials and chemicals. TI and TI suppliers consider certain information to be proprietary, and thus CAS numbers and other limited information may not be available for release.

In no event shall TI's liability arising out of such information exceed the total purchase price of the TI part(s) at issue in this document sold by TI to Customer on an annual basis.

**OTHER QUALIFIED VERSIONS OF TPS2062, TPS2065, TPS2066 :**

- Automotive: [TPS2062-Q1](#), [TPS2065-Q1](#), [TPS2066-Q1](#)

NOTE: Qualified Version Definitions:

- Automotive - Q100 devices qualified for high-reliability automotive applications targeting zero defects

## TAPE AND REEL INFORMATION



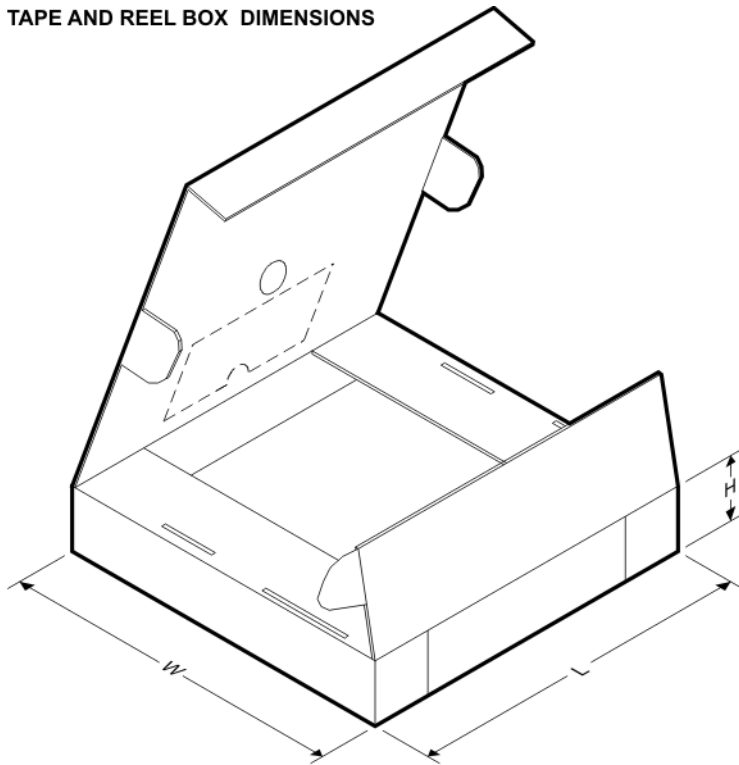
### QUADRANT ASSIGNMENTS FOR PIN 1 ORIENTATION IN TAPE



\*All dimensions are nominal

| Device      | Package Type   | Package Drawing | Pins | SPQ  | Reel Diameter (mm) | Reel Width W1 (mm) | A0 (mm) | B0 (mm) | K0 (mm) | P1 (mm) | W (mm) | Pin1 Quadrant |
|-------------|----------------|-----------------|------|------|--------------------|--------------------|---------|---------|---------|---------|--------|---------------|
| TPS2061DBVR | SOT-23         | DBV             | 5    | 3000 | 180.0              | 8.4                | 3.2     | 3.2     | 1.4     | 4.0     | 8.0    | Q3            |
| TPS2061DBVT | SOT-23         | DBV             | 5    | 250  | 179.0              | 8.4                | 3.2     | 3.2     | 1.4     | 4.0     | 8.0    | Q3            |
| TPS2061DGNR | MSOP-Power PAD | DGN             | 8    | 2500 | 330.0              | 12.4               | 5.3     | 3.3     | 1.3     | 8.0     | 12.0   | Q1            |
| TPS2061DGNR | MSOP-Power PAD | DGN             | 8    | 2500 | 330.0              | 12.4               | 5.3     | 3.4     | 1.4     | 8.0     | 12.0   | Q1            |
| TPS2061DR   | SOIC           | D               | 8    | 2500 | 330.0              | 12.4               | 6.4     | 5.2     | 2.1     | 8.0     | 12.0   | Q1            |
| TPS2062DGNR | MSOP-Power PAD | DGN             | 8    | 2500 | 330.0              | 12.4               | 5.3     | 3.4     | 1.4     | 8.0     | 12.0   | Q1            |
| TPS2062DR   | SOIC           | D               | 8    | 2500 | 330.0              | 12.4               | 6.4     | 5.2     | 2.1     | 8.0     | 12.0   | Q1            |
| TPS2063DR   | SOIC           | D               | 16   | 2500 | 330.0              | 16.4               | 6.5     | 10.3    | 2.1     | 8.0     | 16.0   | Q1            |
| TPS2065DBVR | SOT-23         | DBV             | 5    | 3000 | 178.0              | 9.0                | 3.3     | 3.2     | 1.4     | 4.0     | 8.0    | Q3            |
| TPS2065DBVT | SOT-23         | DBV             | 5    | 250  | 179.0              | 8.4                | 3.2     | 3.2     | 1.4     | 4.0     | 8.0    | Q3            |
| TPS2065DBVT | SOT-23         | DBV             | 5    | 250  | 178.0              | 9.0                | 3.23    | 3.17    | 1.37    | 4.0     | 8.0    | Q3            |
| TPS2065DGNR | MSOP-Power     | DGN             | 8    | 2500 | 330.0              | 12.4               | 5.3     | 3.4     | 1.4     | 8.0     | 12.0   | Q1            |

| Device      | Package Type   | Package Drawing | Pins | SPQ  | Reel Diameter (mm) | Reel Width W1 (mm) | A0 (mm) | B0 (mm) | K0 (mm) | P1 (mm) | W (mm) | Pin1 Quadrant |
|-------------|----------------|-----------------|------|------|--------------------|--------------------|---------|---------|---------|---------|--------|---------------|
|             | PAD            |                 |      |      |                    |                    |         |         |         |         |        |               |
| TPS2065DGNR | MSOP-Power PAD | DGN             | 8    | 2500 | 330.0              | 12.4               | 5.3     | 3.3     | 1.3     | 8.0     | 12.0   | Q1            |
| TPS2065DR   | SOIC           | D               | 8    | 2500 | 330.0              | 12.4               | 6.4     | 5.2     | 2.1     | 8.0     | 12.0   | Q1            |
| TPS2066DGNR | MSOP-Power PAD | DGN             | 8    | 2500 | 330.0              | 12.4               | 5.3     | 3.3     | 1.3     | 8.0     | 12.0   | Q1            |
| TPS2066DGNR | MSOP-Power PAD | DGN             | 8    | 2500 | 330.0              | 12.4               | 5.3     | 3.4     | 1.4     | 8.0     | 12.0   | Q1            |
| TPS2066DR   | SOIC           | D               | 8    | 2500 | 330.0              | 12.4               | 6.4     | 5.2     | 2.1     | 8.0     | 12.0   | Q1            |
| TPS2067DR   | SOIC           | D               | 16   | 2500 | 330.0              | 16.4               | 6.5     | 10.3    | 2.1     | 8.0     | 16.0   | Q1            |

**TAPE AND REEL BOX DIMENSIONS**


\*All dimensions are nominal

| Device      | Package Type  | Package Drawing | Pins | SPQ  | Length (mm) | Width (mm) | Height (mm) |
|-------------|---------------|-----------------|------|------|-------------|------------|-------------|
| TPS2061DBVR | SOT-23        | DBV             | 5    | 3000 | 203.0       | 203.0      | 35.0        |
| TPS2061DBVT | SOT-23        | DBV             | 5    | 250  | 203.0       | 203.0      | 35.0        |
| TPS2061DGNR | MSOP-PowerPAD | DGN             | 8    | 2500 | 346.0       | 346.0      | 35.0        |
| TPS2061DGNR | MSOP-PowerPAD | DGN             | 8    | 2500 | 364.0       | 364.0      | 27.0        |
| TPS2061DR   | SOIC          | D               | 8    | 2500 | 340.5       | 338.1      | 20.6        |
| TPS2062DGNR | MSOP-PowerPAD | DGN             | 8    | 2500 | 364.0       | 364.0      | 27.0        |

| Device      | Package Type  | Package Drawing | Pins | SPQ  | Length (mm) | Width (mm) | Height (mm) |
|-------------|---------------|-----------------|------|------|-------------|------------|-------------|
| TPS2062DR   | SOIC          | D               | 8    | 2500 | 340.5       | 338.1      | 20.6        |
| TPS2063DR   | SOIC          | D               | 16   | 2500 | 350.0       | 350.0      | 43.0        |
| TPS2065DBVR | SOT-23        | DBV             | 5    | 3000 | 180.0       | 180.0      | 18.0        |
| TPS2065DBVR | SOT-23        | DBV             | 5    | 3000 | 203.0       | 203.0      | 35.0        |
| TPS2065DBVT | SOT-23        | DBV             | 5    | 250  | 203.0       | 203.0      | 35.0        |
| TPS2065DBVT | SOT-23        | DBV             | 5    | 250  | 180.0       | 180.0      | 18.0        |
| TPS2065DGNR | MSOP-PowerPAD | DGN             | 8    | 2500 | 364.0       | 364.0      | 27.0        |
| TPS2065DGNR | MSOP-PowerPAD | DGN             | 8    | 2500 | 346.0       | 346.0      | 35.0        |
| TPS2065DR   | SOIC          | D               | 8    | 2500 | 340.5       | 338.1      | 20.6        |
| TPS2066DGNR | MSOP-PowerPAD | DGN             | 8    | 2500 | 346.0       | 346.0      | 35.0        |
| TPS2066DGNR | MSOP-PowerPAD | DGN             | 8    | 2500 | 364.0       | 364.0      | 27.0        |
| TPS2066DR   | SOIC          | D               | 8    | 2500 | 340.5       | 338.1      | 20.6        |
| TPS2067DR   | SOIC          | D               | 16   | 2500 | 333.2       | 345.9      | 28.6        |



D0008A

# PACKAGE OUTLINE

SOIC - 1.75 mm max height

SMALL OUTLINE INTEGRATED CIRCUIT



4214825/C 02/2019

### NOTES:

- Linear dimensions are in inches [millimeters]. Dimensions in parenthesis are for reference only. Controlling dimensions are in inches. Dimensioning and tolerancing per ASME Y14.5M.
- This drawing is subject to change without notice.
- This dimension does not include mold flash, protrusions, or gate burrs. Mold flash, protrusions, or gate burrs shall not exceed  $.006$  [0.15] per side.
- This dimension does not include interlead flash.
- Reference JEDEC registration MS-012, variation AA.

# EXAMPLE BOARD LAYOUT

D0008A

SOIC - 1.75 mm max height

SMALL OUTLINE INTEGRATED CIRCUIT



LAND PATTERN EXAMPLE  
EXPOSED METAL SHOWN  
SCALE:8X



SOLDER MASK DETAILS

4214825/C 02/2019

NOTES: (continued)

- 6. Publication IPC-7351 may have alternate designs.
- 7. Solder mask tolerances between and around signal pads can vary based on board fabrication site.

# EXAMPLE STENCIL DESIGN

D0008A

SOIC - 1.75 mm max height

SMALL OUTLINE INTEGRATED CIRCUIT



SOLDER PASTE EXAMPLE  
BASED ON .005 INCH [0.125 MM] THICK STENCIL  
SCALE:8X

4214825/C 02/2019

NOTES: (continued)

8. Laser cutting apertures with trapezoidal walls and rounded corners may offer better paste release. IPC-7525 may have alternate design recommendations.
9. Board assembly site may have different recommendations for stencil design.



# EXAMPLE BOARD LAYOUT

DBV0005A

SOT-23 - 1.45 mm max height

SMALL OUTLINE TRANSISTOR



LAND PATTERN EXAMPLE  
EXPOSED METAL SHOWN  
SCALE:15X



SOLDER MASK DETAILS

4214839/D 11/2018

NOTES: (continued)

- 5. Publication IPC-7351 may have alternate designs.
- 6. Solder mask tolerances between and around signal pads can vary based on board fabrication site.

# EXAMPLE STENCIL DESIGN

DBV0005A

SOT-23 - 1.45 mm max height

SMALL OUTLINE TRANSISTOR



SOLDER PASTE EXAMPLE  
BASED ON 0.125 mm THICK STENCIL  
SCALE:15X

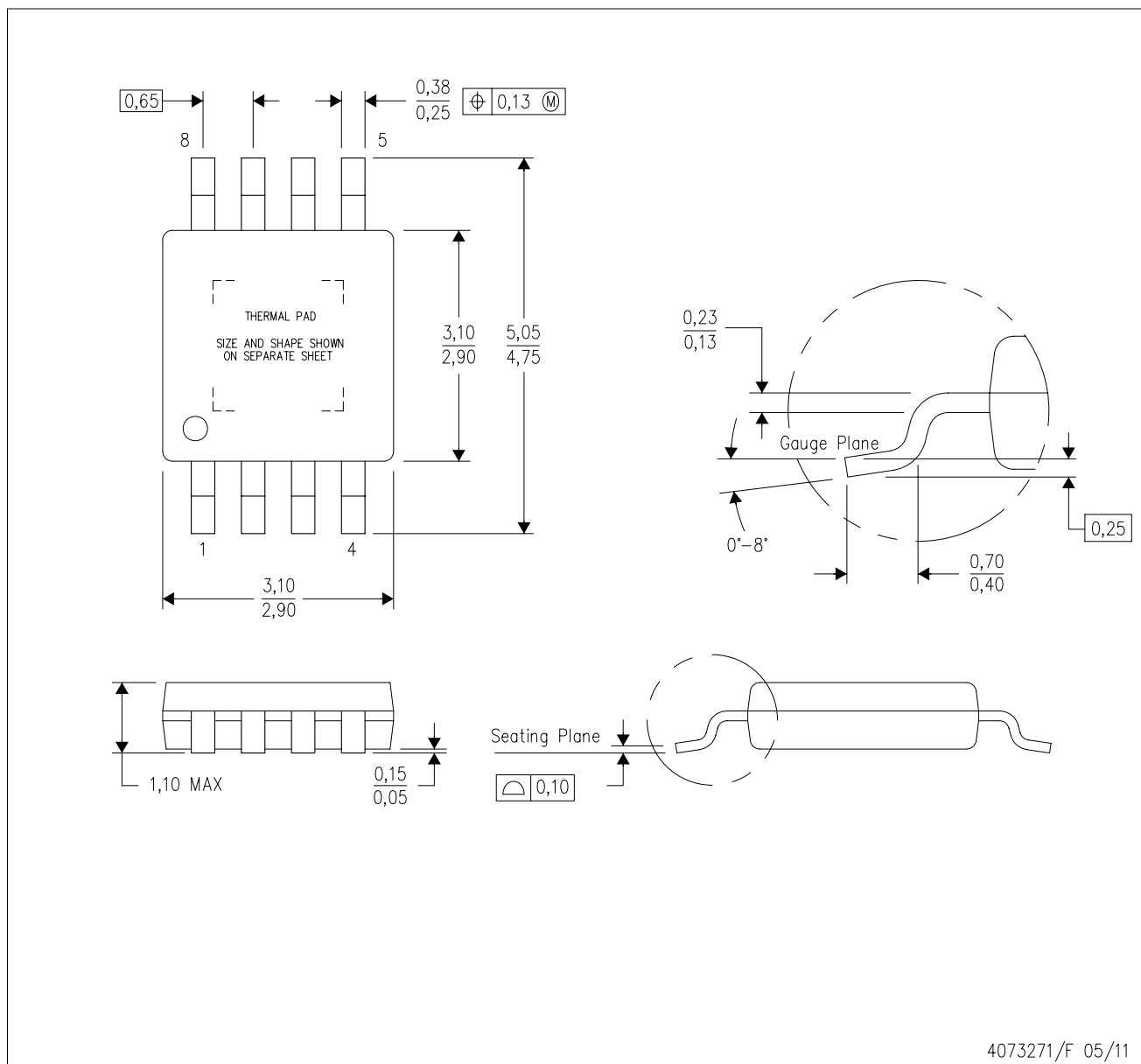
4214839/D 11/2018

NOTES: (continued)

7. Laser cutting apertures with trapezoidal walls and rounded corners may offer better paste release. IPC-7525 may have alternate design recommendations.
8. Board assembly site may have different recommendations for stencil design.

DGN (S-PDSO-G8)

PowerPAD™ PLASTIC SMALL OUTLINE



- NOTES:
- All linear dimensions are in millimeters.
  - This drawing is subject to change without notice.
  - Body dimensions do not include mold flash or protrusion.
  - This package is designed to be soldered to a thermal pad on the board. Refer to Technical Brief, PowerPad Thermally Enhanced Package, Texas Instruments Literature No. SLMA002 for information regarding recommended board layout. This document is available at [www.ti.com](http://www.ti.com) <<http://www.ti.com>>.
  - See the additional figure in the Product Data Sheet for details regarding the exposed thermal pad features and dimensions.
  - Falls within JEDEC MO-187 variation AA-T

PowerPAD is a trademark of Texas Instruments.

DGN (S-PDSO-G8)

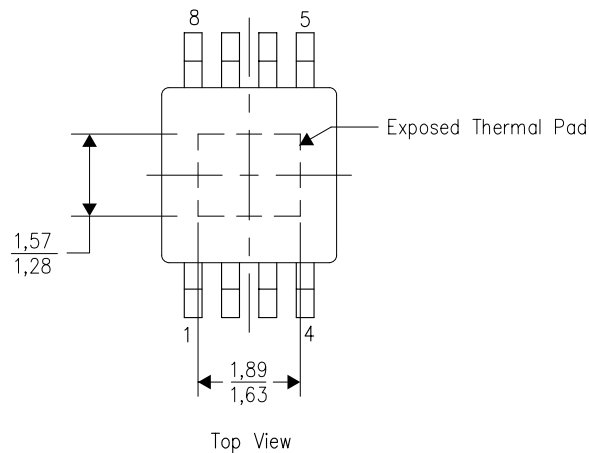
PowerPAD™ PLASTIC SMALL OUTLINE

## THERMAL INFORMATION

This PowerPAD™ package incorporates an exposed thermal pad that is designed to be attached to a printed circuit board (PCB). The thermal pad must be soldered directly to the PCB. After soldering, the PCB can be used as a heatsink. In addition, through the use of thermal vias, the thermal pad can be attached directly to the appropriate copper plane shown in the electrical schematic for the device, or alternatively, can be attached to a special heatsink structure designed into the PCB. This design optimizes the heat transfer from the integrated circuit (IC).

For additional information on the PowerPAD package and how to take advantage of its heat dissipating abilities, refer to Technical Brief, PowerPAD Thermally Enhanced Package, Texas Instruments Literature No. SLMA002 and Application Brief, PowerPAD Made Easy, Texas Instruments Literature No. SLMA004. Both documents are available at [www.ti.com](http://www.ti.com).

The exposed thermal pad dimensions for this package are shown in the following illustration.



Exposed Thermal Pad Dimensions

4206323-2/1 12/11

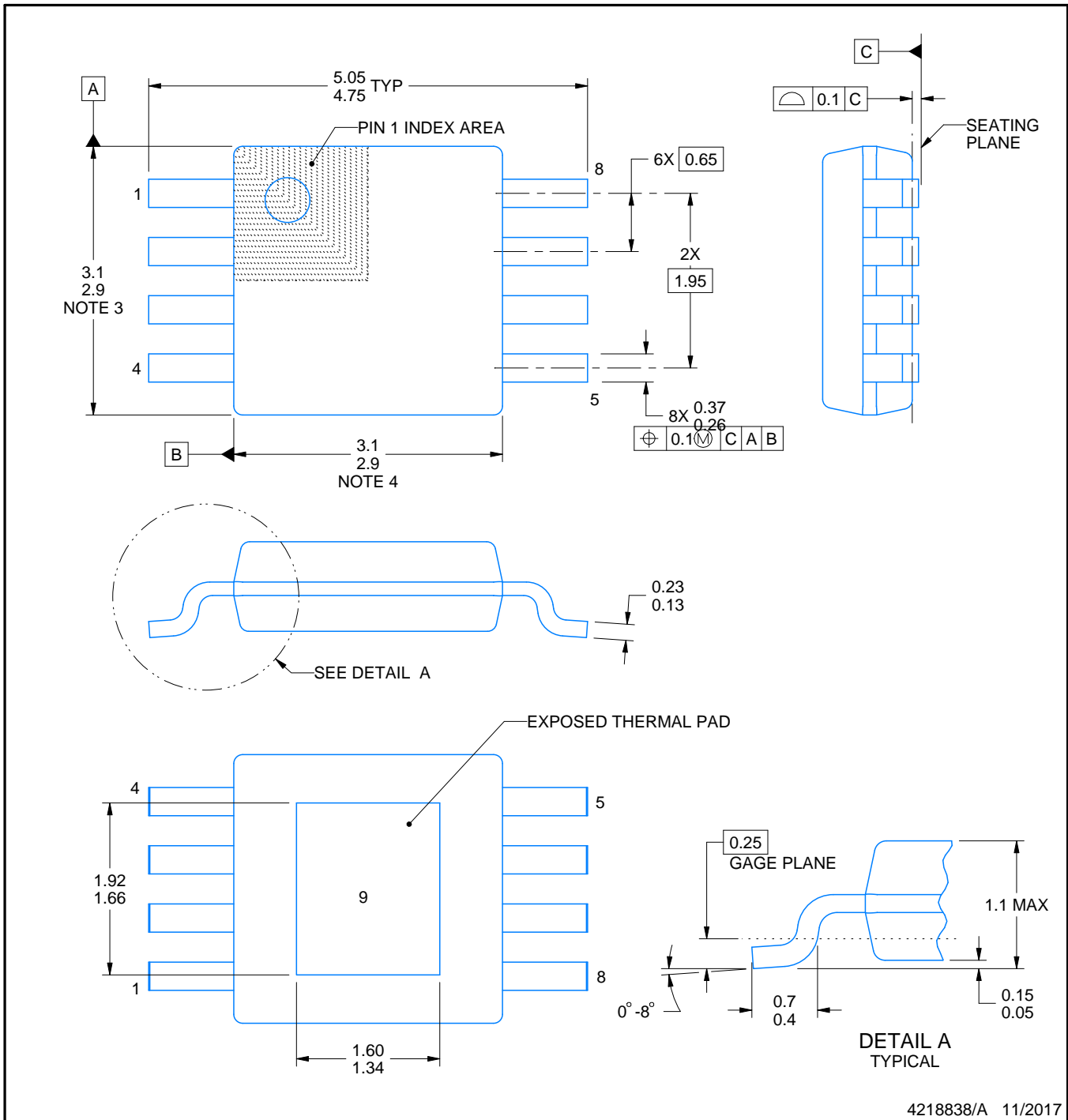
NOTE: All linear dimensions are in millimeters

PowerPAD is a trademark of Texas Instruments



- NOTES:
- A. All linear dimensions are in millimeters.
  - B. This drawing is subject to change without notice.
  - C. Customers should place a note on the circuit board fabrication drawing not to alter the center solder mask defined pad.
  - D. This package is designed to be soldered to a thermal pad on the board. Refer to Technical Brief, PowerPad Thermally Enhanced Package, Texas Instruments Literature No. SLMA002, SLMA004, and also the Product Data Sheets for specific thermal information, via requirements, and recommended board layout. These documents are available at [www.ti.com](http://www.ti.com) <<http://www.ti.com>>.
  - E. Laser cutting apertures with trapezoidal walls and also rounding corners will offer better paste release. Customers should contact their board assembly site for stencil design recommendations. Example stencil design based on a 50% volumetric metal load solder paste. Refer to IPC-7525 for other stencil recommendations.
  - F. Customers should contact their board fabrication site for solder mask tolerances between and around signal pads.

PowerPAD is a trademark of Texas Instruments



4218838/A 11/2017

NOTES:

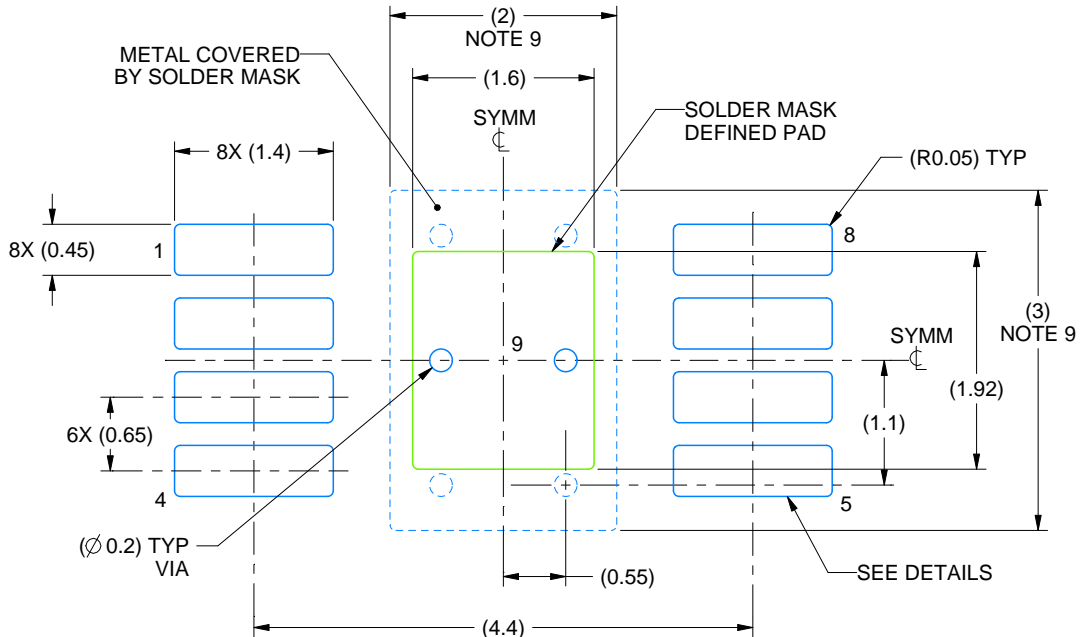
1. All linear dimensions are in millimeters. Any dimensions in parenthesis are for reference only. Dimensioning and tolerancing per ASME Y14.5M.
2. This drawing is subject to change without notice.
3. This dimension does not include mold flash, protrusions, or gate burrs. Mold flash, protrusions, or gate burrs shall not exceed 0.15 mm per side.
4. This dimension does not include interlead flash. Interlead flash shall not exceed 0.25 mm per side.
5. Reference JEDEC registration MO-187.

# EXAMPLE BOARD LAYOUT

DGN0008C

HVSSOP - 1.1 mm max height

SMALL OUTLINE PACKAGE



LAND PATTERN EXAMPLE  
EXPOSED METAL SHOWN  
SCALE: 15X



SOLDER MASK DETAILS

4218838/A 11/2017

NOTES: (continued)

6. Publication IPC-7351 may have alternate designs.
7. Solder mask tolerances between and around signal pads can vary based on board fabrication site.
8. Vias are optional depending on application, refer to device data sheet. If any vias are implemented, refer to their locations shown on this view. It is recommended that vias under paste be filled, plugged or tented.
9. Size of metal pad may vary due to creepage requirement.

# EXAMPLE STENCIL DESIGN

DGN0008C

HVSSOP - 1.1 mm max height

SMALL OUTLINE PACKAGE



**SOLDER PASTE EXAMPLE**  
EXPOSED PAD 9:  
100% PRINTED SOLDER COVERAGE BY AREA  
SCALE: 15X

| STENCIL THICKNESS | SOLDER STENCIL OPENING |
|-------------------|------------------------|
| 0.1               | 1.79 X 2.15            |
| 0.125             | 1.60 X 1.92 (SHOWN)    |
| 0.15              | 1.46 X 1.75            |
| 0.175             | 1.35 X 1.62            |

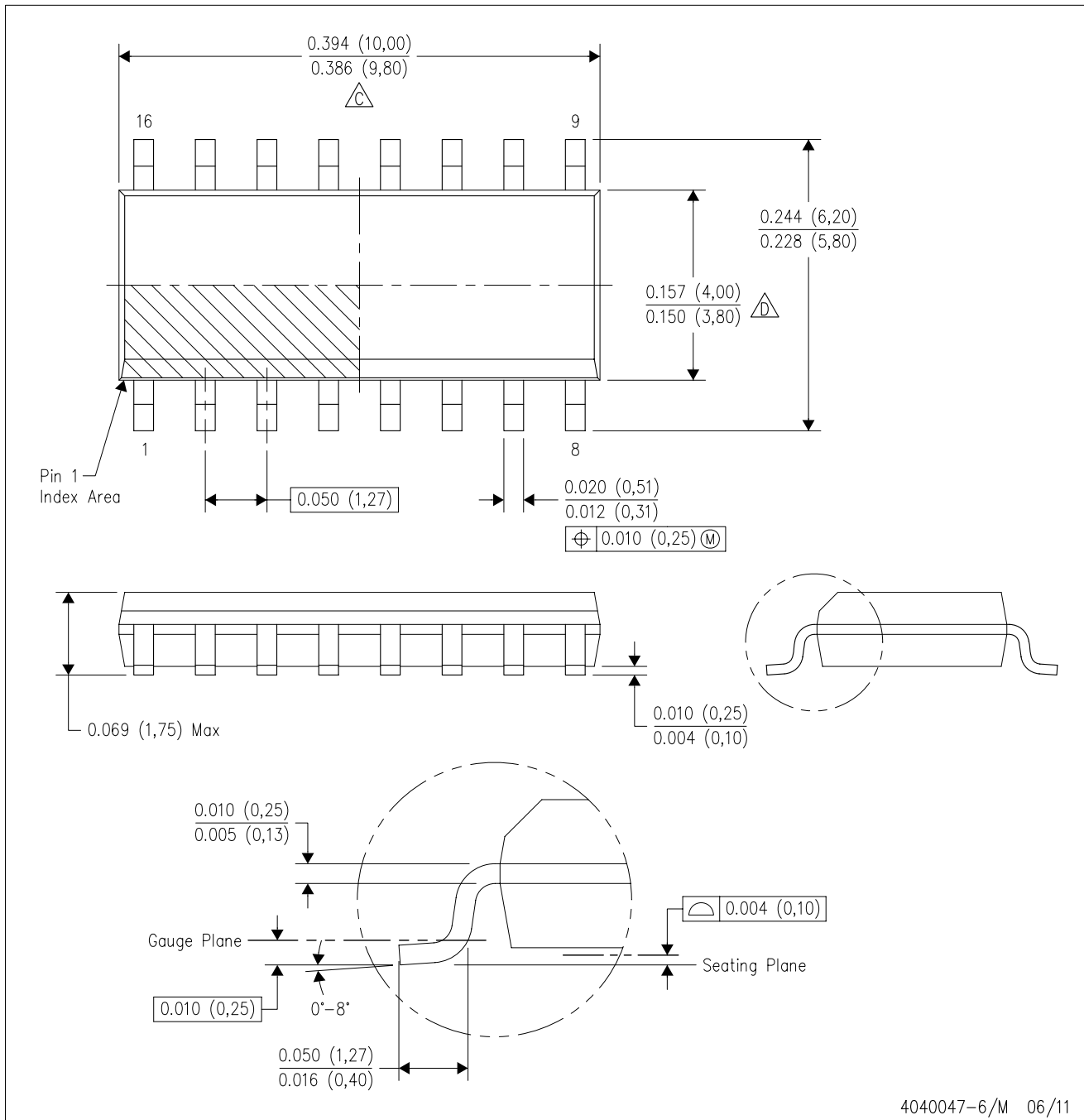
4218838/A 11/2017

NOTES: (continued)

10. Laser cutting apertures with trapezoidal walls and rounded corners may offer better paste release. IPC-7525 may have alternate design recommendations.
11. Board assembly site may have different recommendations for stencil design.

D (R-PDSO-G16)

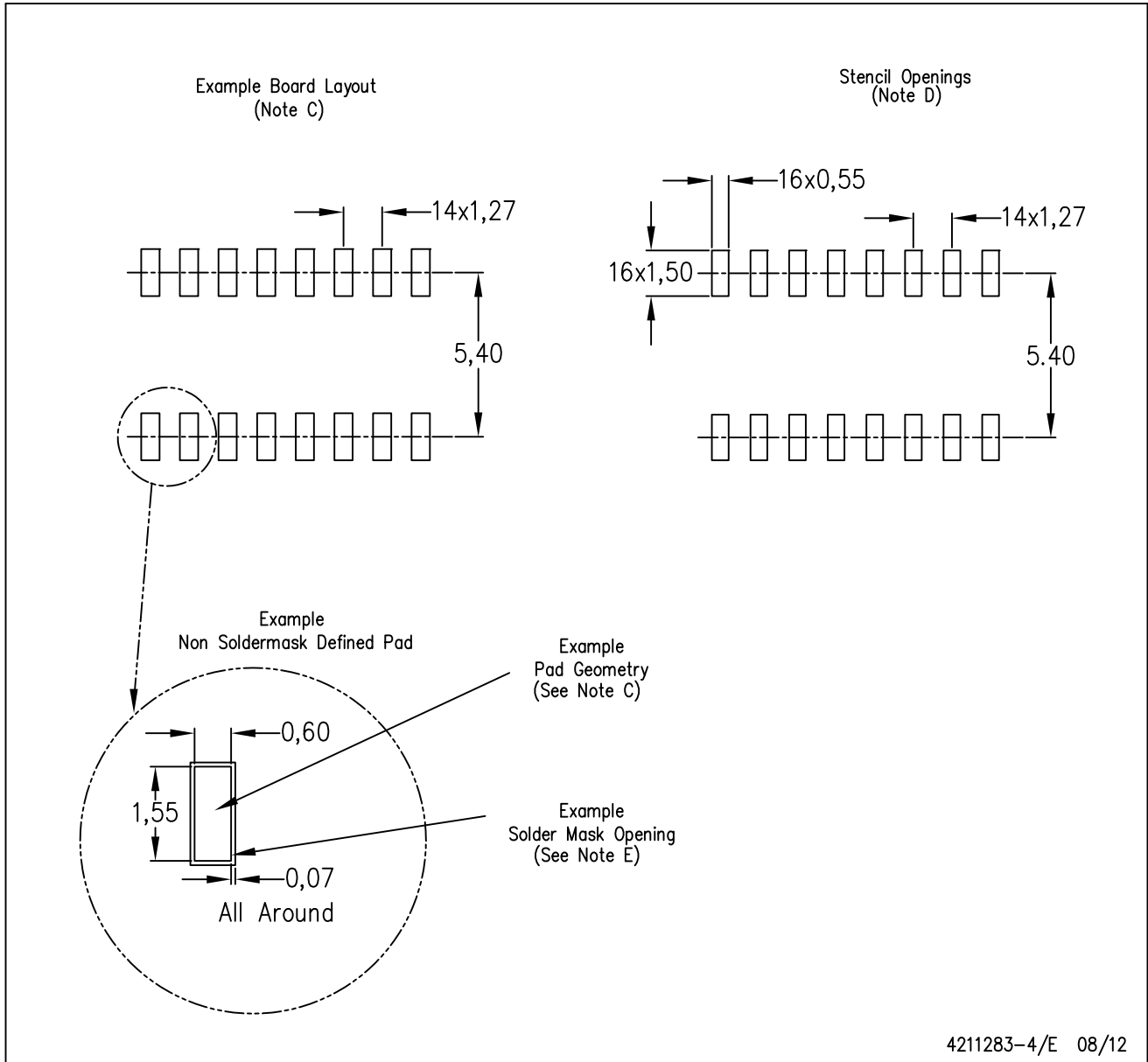
PLASTIC SMALL OUTLINE



- NOTES:
- A. All linear dimensions are in inches (millimeters).
  - B. This drawing is subject to change without notice.
  - C. Body length does not include mold flash, protrusions, or gate burrs. Mold flash, protrusions, or gate burrs shall not exceed 0.006 (0,15) each side.
  - D. Body width does not include interlead flash. Interlead flash shall not exceed 0.017 (0,43) each side.
  - E. Reference JEDEC MS-012 variation AC.

D (R-PDSO-G16)

PLASTIC SMALL OUTLINE



- NOTES:
- All linear dimensions are in millimeters.
  - This drawing is subject to change without notice.
  - Publication IPC-7351 is recommended for alternate designs.
  - Laser cutting apertures with trapezoidal walls and also rounding corners will offer better paste release. Customers should contact their board assembly site for stencil design recommendations. Refer to IPC-7525 for other stencil recommendations.
  - Customers should contact their board fabrication site for solder mask tolerances between and around signal pads.

## IMPORTANT NOTICE AND DISCLAIMER

TI PROVIDES TECHNICAL AND RELIABILITY DATA (INCLUDING DATASHEETS), DESIGN RESOURCES (INCLUDING REFERENCE DESIGNS), APPLICATION OR OTHER DESIGN ADVICE, WEB TOOLS, SAFETY INFORMATION, AND OTHER RESOURCES "AS IS" AND WITH ALL FAULTS, AND DISCLAIMS ALL WARRANTIES, EXPRESS AND IMPLIED, INCLUDING WITHOUT LIMITATION ANY IMPLIED WARRANTIES OF MERCHANTABILITY, FITNESS FOR A PARTICULAR PURPOSE OR NON-INFRINGEMENT OF THIRD PARTY INTELLECTUAL PROPERTY RIGHTS.

These resources are intended for skilled developers designing with TI products. You are solely responsible for (1) selecting the appropriate TI products for your application, (2) designing, validating and testing your application, and (3) ensuring your application meets applicable standards, and any other safety, security, or other requirements. These resources are subject to change without notice. TI grants you permission to use these resources only for development of an application that uses the TI products described in the resource. Other reproduction and display of these resources is prohibited. No license is granted to any other TI intellectual property right or to any third party intellectual property right. TI disclaims responsibility for, and you will fully indemnify TI and its representatives against, any claims, damages, costs, losses, and liabilities arising out of your use of these resources.

TI's products are provided subject to TI's Terms of Sale ([www.ti.com/legal/termsofsale.html](http://www.ti.com/legal/termsofsale.html)) or other applicable terms available either on [ti.com](http://ti.com) or provided in conjunction with such TI products. TI's provision of these resources does not expand or otherwise alter TI's applicable warranties or warranty disclaimers for TI products.

Mailing Address: Texas Instruments, Post Office Box 655303, Dallas, Texas 75265  
Copyright © 2019, Texas Instruments Incorporated

## Looking for pricing, stock, or lifecycle information?

Click below to explore more details on WIN SOURCE:

 [View TPS2062DGNR on WIN SOURCE](#)

 [Texas Instruments](#) Information

## Optimize Your Supply Chain with WIN SOURCE Solutions

-  Global Sourcing Solution
-  Obsolete Management
-  Cost Control Management
-  Shortage Management
-  Alternative Solution
-  Excess Inventory Management