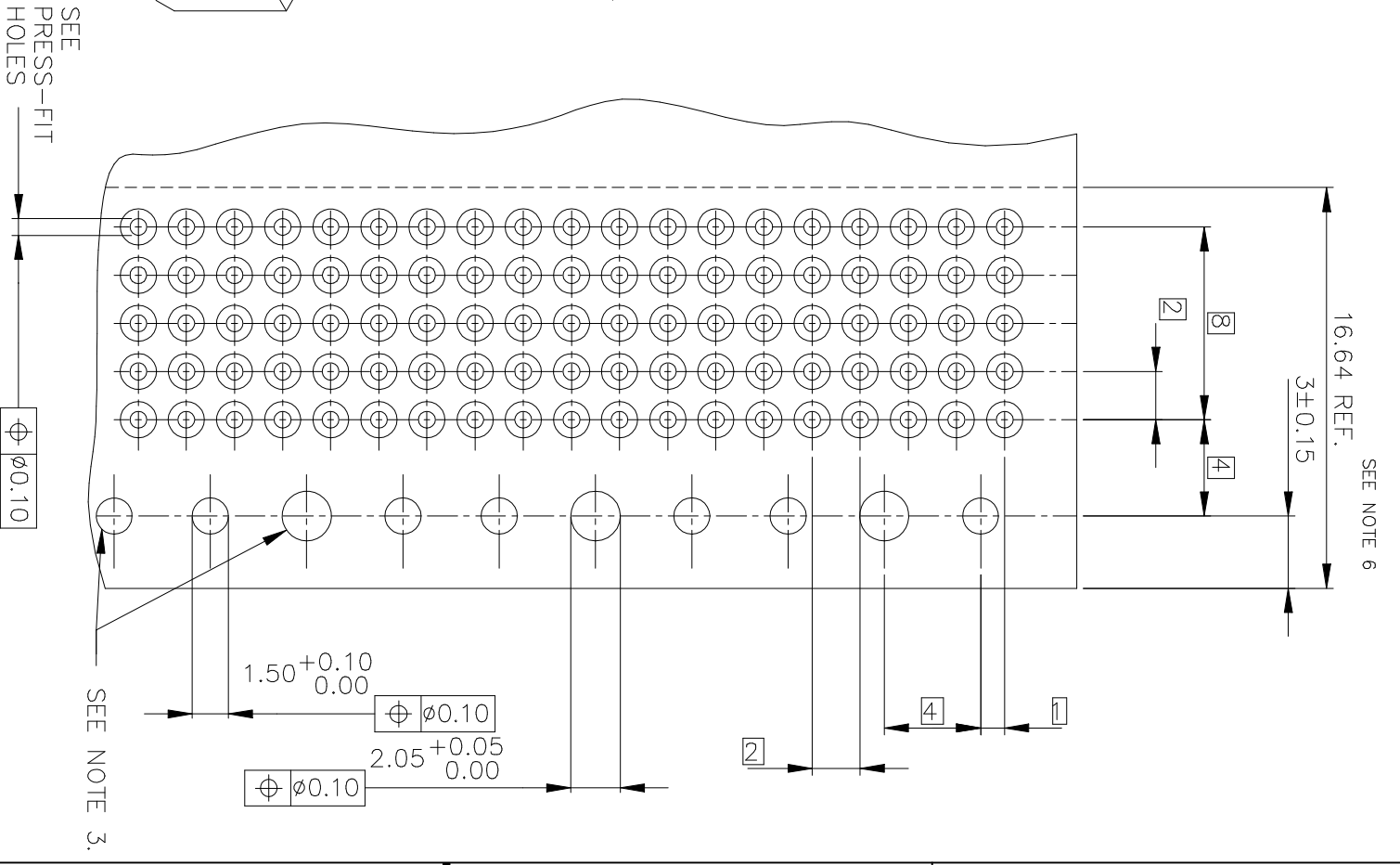
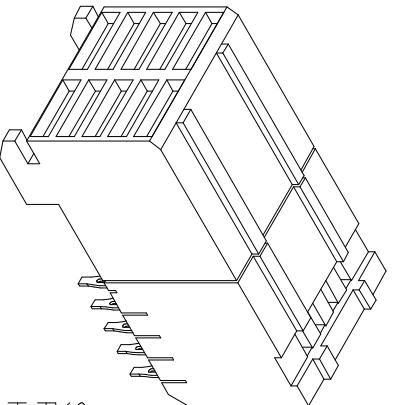
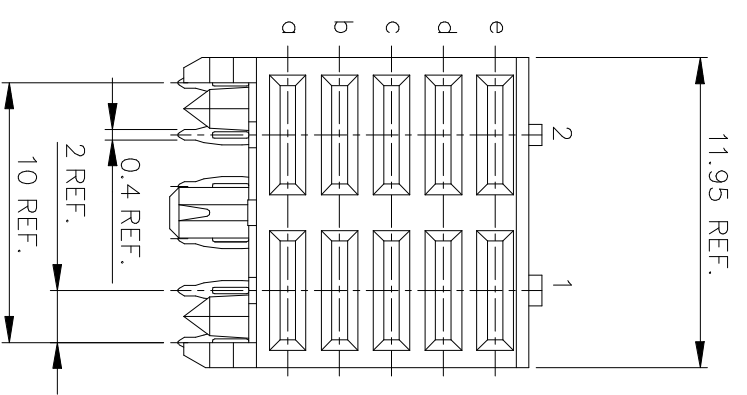
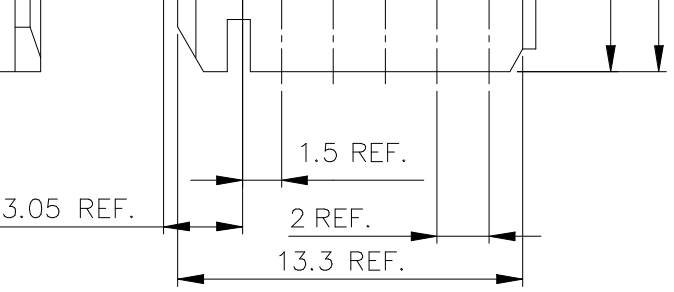




**THE DATASHEET OF
89096-102LF**



PRESS-FIT HOLES	
HOLE DIAMETER AFTER PLATING	0.65-0.80
DRILLED HOLE	0.81-0.86
COPPER PLATING	0.025 MIN.
SnPb PLATING	0.005-0.015



RECOMMENDED HOLE PATTERN,
COMPONENT SIDE.

SEE PRESS-FIT HOLES

SEE NOTE 3.

L: LIQUID CRYSTAL POLYMER 30% GLASS TARDANT ACC. UL 94-V0
 MATERIAL: PHOSPHOR BRONZE.
 HOLES ARE UNPLATED.
 OF COMPLIANT SECTIONS 0.5-1.5 um SnPb 85-97 RT NUMBER WAS ADDED A SUFFIX "LF", SO THE COMPLIANT SECTIONS 0.5-1.5 um PURE Sn.
 MARKING: PART NUMBER & BATCH ID.
 FOR PRESS BLOCK
 41 FOR -XY2 APPLICATION TOOLING
 FACE OF PRESS BLOCK MAY EXTEND UP TO 0.4MM THAN HOUSING. THIS MAY AFFECT THE TAIL LENGTH APPLICATION TO A BOARD.
 RATING: 3 AMP PER PIN.
 PRODUCT MEETS EUROPEAN UNION DIRECTIVES AND OTHER REGULATIONS AS DESCRIBED IN GS-22-008.
 ING WILL WITHSTAND EXPOSURE TO 260 DEGREE PEAK TURE FOR 10 SECOND IN A WAVE SOLDER APPLICATION.
 PRODUCT WITH 30u" GOLD PLATING IN TERMINAL, N BE REPLACED BY 30 GXT PLATING.

mat'l. code		surface		tolerance		projection		product family	
ltr	ecn no	clr	date	ISO 1302	ISO 406	ISO 1101	MM	METRAL (tm)	
F	D004-0066	Clu	04/201						
G	D007-0458	Cenh	11/15/07						
H	D008-0171	TER	8/21/08						
J	ELX-N-217%	NICK	8/26/15						
K	ELX-N-26608	NZ	3/28/17						
		Chr							
		H v Woernsel							
sheet index	revision	k							
	sheet	1							



RA PF 12mm ASSEMBLY
 sheet 1 of 1
 89096
 A3
 Drawing

Looking for pricing, stock, or lifecycle information?

Click below to explore more details on WIN SOURCE:

[View 89096-102LF on WIN SOURCE](#)

[Amphenol FCI Information](#)

Optimize Your Supply Chain with WIN SOURCE Solutions

- ✓ Global Sourcing Solution
- ✓ Obsolete Management
- ✓ Cost Control Management
- ✓ Shortage Management
- ✓ Alternative Solution
- ✓ Excess Inventory Management