



THE DATASHEET OF UCC2946D





MICROPROCESSOR SUPERVISOR WITH WATCHDOG TIMER

FEATURES

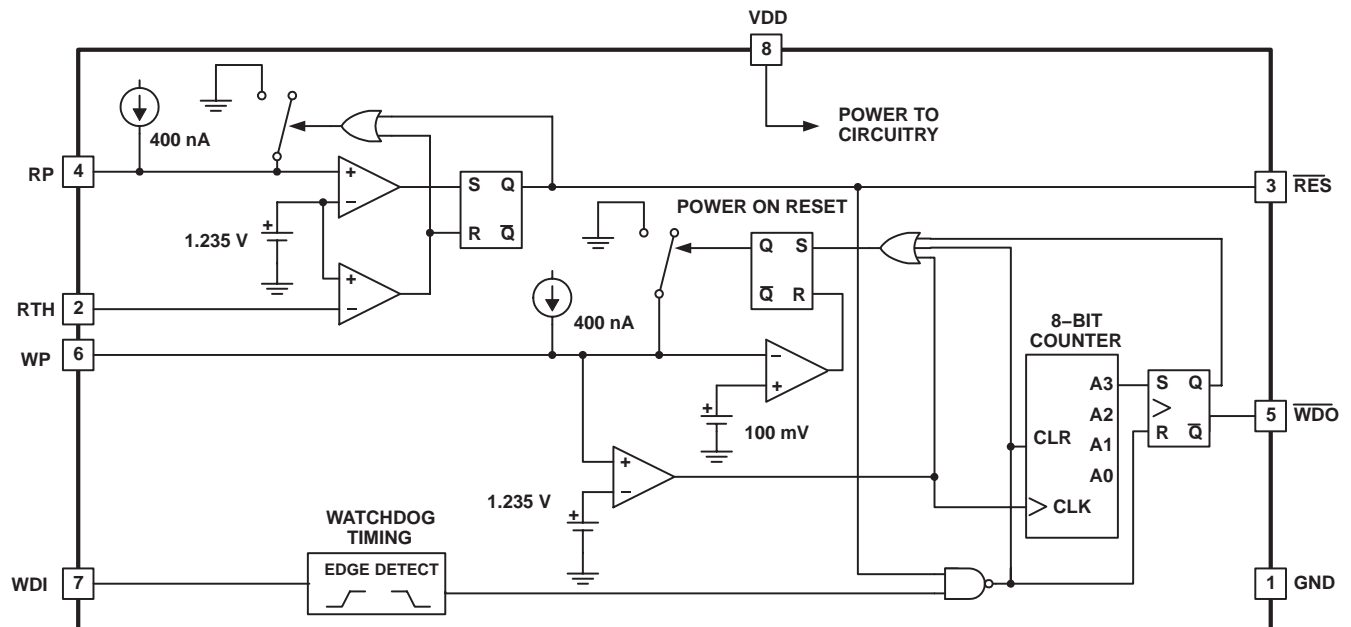
- Fully Programmable Reset Threshold
- Fully Programmable Reset Period
- Fully Programmable Watchdog Period
- 2% Accurate Reset Threshold
- Input Voltage Down to 2 V
- Input 18- μ A Maximum Input Current
- Reset Valid Down to 1 V

DESCRIPTION

The UCCx946 is designed to provide accurate microprocessor supervision, including reset and watchdog functions. During power up, the device asserts a reset signal $\overline{\text{RES}}$ with VDD as low as 1 V. The reset signal remains asserted until the VDD voltage rises and remains above the reset threshold for the reset period. Both reset threshold and reset period are programmable by the user.

The UCCx946 is also resistant to glitches on the VDD line. Once $\overline{\text{RES}}$ has been deasserted, any drops below the threshold voltage need to be of certain time duration and voltage magnitude to generate a reset signal. These values are shown in Figure 1. An I/O line of the microprocessor may be tied to the watchdog input (WDI) for watchdog functions. If the I/O line is not toggled within a set watchdog period, programmable by the user, WDO is asserted. The watchdog function is disabled during reset conditions.

The UCCx946 is available in 8-pin SOIC(D), 8-pin PDIP (N) and 8-pin TSSOP(PW) packages to optimize board space.



UDG-02192

ORDERING INFORMATION

T _A	PACKAGED DEVICES ⁽³⁾		
	(D)	(N)	(PW)
-40°C to 95°C	UCC2946D	UCC2946N	UCC2946PW
0°C to 70°C	UCC3946D	UCC3946N	UCC3946PW

(1) The D and PW packages are also available taped and reeled. Add an R suffix to the device type (i.e., UCC2946DR) for quantities of 3,000 devices per reel.



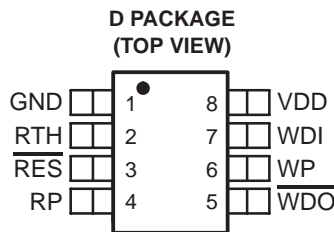
These devices have limited built-in ESD protection. The leads should be shorted together or the device placed in conductive foam during storage or handling to prevent electrostatic damage to the MOS gates.

ABSOLUTE MAXIMUM RATINGS

over operating free-air temperature range unless otherwise noted⁽¹⁾

	UCC2946 UCC3946	UNIT
Input voltage range, V _{IN}	10	V
Junction temperature range, T _J	-55 to 150	°C
Storage temperature, T _{stg}	-65 to 150	
Lead temperature 1,6 mm (1/16 inch) from case for 10 seconds	300	

(1) Stresses beyond those listed under “absolute maximum ratings” may cause permanent damage to the device. These are stress ratings only, and functional operation of the device at these or any other conditions beyond those indicated under “recommended operating conditions” is not implied. Exposure to absolute-maximum-rated conditions for extended periods may affect device reliability. Voltages are with respect to GND. Currents are positive into, and negative out of the specified terminal.



TERMINAL FUNCTIONS

TERMINAL		I/O	DESCRIPTION
NAME	NO.		
GND	1	-	Ground reference for the device
$\overline{\text{RES}}$	3	O	This pin is high only if the voltage on the RTH has risen above 1.235 V. Once RTH rises above the threshold, this pin remains low for the reset period. This pin asserts low and remains low if the RTH voltage dips below 1.235 V for an amount of time determined by Figure 1.
RTH	2	I	This input compares its voltage to an internal 1.25-V reference. By using external resistors, a user can program any desired reset threshold.
RP	4	I	This pin allows the user to program the reset period by adjusting an external capacitor.
VDD	8	I	Supply voltage for the device.
WDI	7	I	This pin is the input to the watchdog timer. If this pin is not toggled or strobed within the watchdog period, WDO is asserted.
$\overline{\text{WDO}}$	5	O	This pin is the watchdog output. This pin is asserted low if the WDI pin is not strobed or toggled within the watchdog period.
WP	6	I	This pin allows the user to program the watchdog period by adjusting an external capacitor.

ELECTRICAL CHARACTERISTICS

$T_A = 0^\circ\text{C}$ to 70°C and $2.0\text{ V} \leq V_{DD} \leq 5.5\text{ V}$ for the UCC3946, $T_A = -40^\circ\text{C}$ to 95°C and $2.1\text{ V} \leq V_{DD} \leq 5.5\text{ V}$ for the UCC2946, (unless otherwise noted)

PARAMETER		TEST CONDITIONS	MIN	TYP	MAX	UNIT	
REFERENCE							
V_{DD}	Operating voltage	UCC2946	2.1		5.5	V	
		UCC3946	2.0		5.5		
I_{DD}	Supply current	UCC2946		12	18	μA	
		UCC3946		10	18		
$V_{DD(\text{min})}$	Minimum operating voltage(1)	UCC2946			1.1	V	
		UCC3946			1.0		
RESET SECTION							
	Reset threshold voltage	UCC2946	V_{DD} rising	1.170	1.235	1.260	V
		UCC3946		1.190	1.235	1.260	
	Threshold hysteresis			15		mV	
I_{LEAK}	Input leakage current				5	nA	
V_{OH}	High-level output voltage		$I_{SOURCE} = 2\text{ mA}$	$V_{DD}-0.3$		V	
V_{OL}	Low-level output voltage	UCC2946	$I_{SINK} = 2\text{ mA}$				
			UCC3946	$I_{SINK} = 20\ \mu\text{A}, V_{DD} = 1\text{ V}$	0.1		
					0.4		
	VDD-to-output delay time		$V_{DD} = -1\text{ mV}/\mu\text{s}$	120		μs	
	Reset period	UCC2946	$C_{RP} = 64\text{ nF}$	140	200	320	ms
		UCC3946		160	200	260	
WATCHDOG SECTION							
V_{IH}	High-level input voltage, WDI			$0.7 \times V_{DD}$		V	
V_{IL}	Low-level input voltage, WDI			$0.3 \times V_{DD}$			
	Watchdog period	UCC2946	$C_{RP} = 64\text{ nF}$	0.96	1.60	2.56	s
		UCC3946		1.12	1.60	2.08	
	Watchdog pulse width			50		ns	
V_{OH}	High-level output voltage		$I_{SOURCE} = 2\text{ mA}$	$V_{DD}-0.3$		V	
V_{OL}	Low-level output voltage		$I_{SINK} = 2\text{ mA}$	0.1			

(1) Minimum supply voltage where RES is considered valid.

APPLICATION INFORMATION

The UCCx946 supervisory circuit provides accurate reset and watchdog functions for a variety of microprocessor applications. The reset circuit prevents the microprocessor from executing code during undervoltage conditions, typically during power-up and power-down. In order to prevent erratic operation in the presence of noise, voltage glitches where voltage amplitude and time duration are less than the values specified in Figure 1 are ignored.

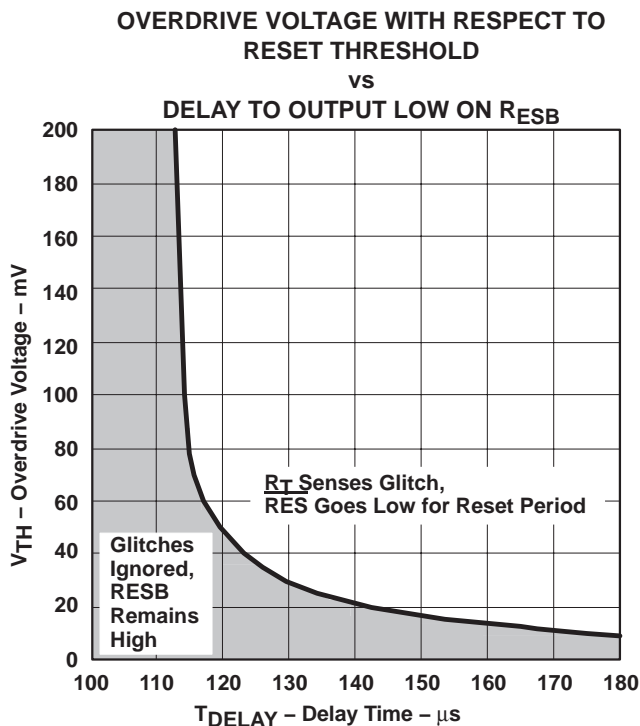


Figure 1.

The watchdog circuit monitors the microprocessor's activity, if the microprocessor does not toggle \overline{WDI} during the programmable watchdog period \overline{WDO} goes low, alerting the microprocessor's interrupt of a fault. The \overline{WDO} pin is typically connected to the non-maskable input of the microprocessor so that an error recovery routine can be executed.

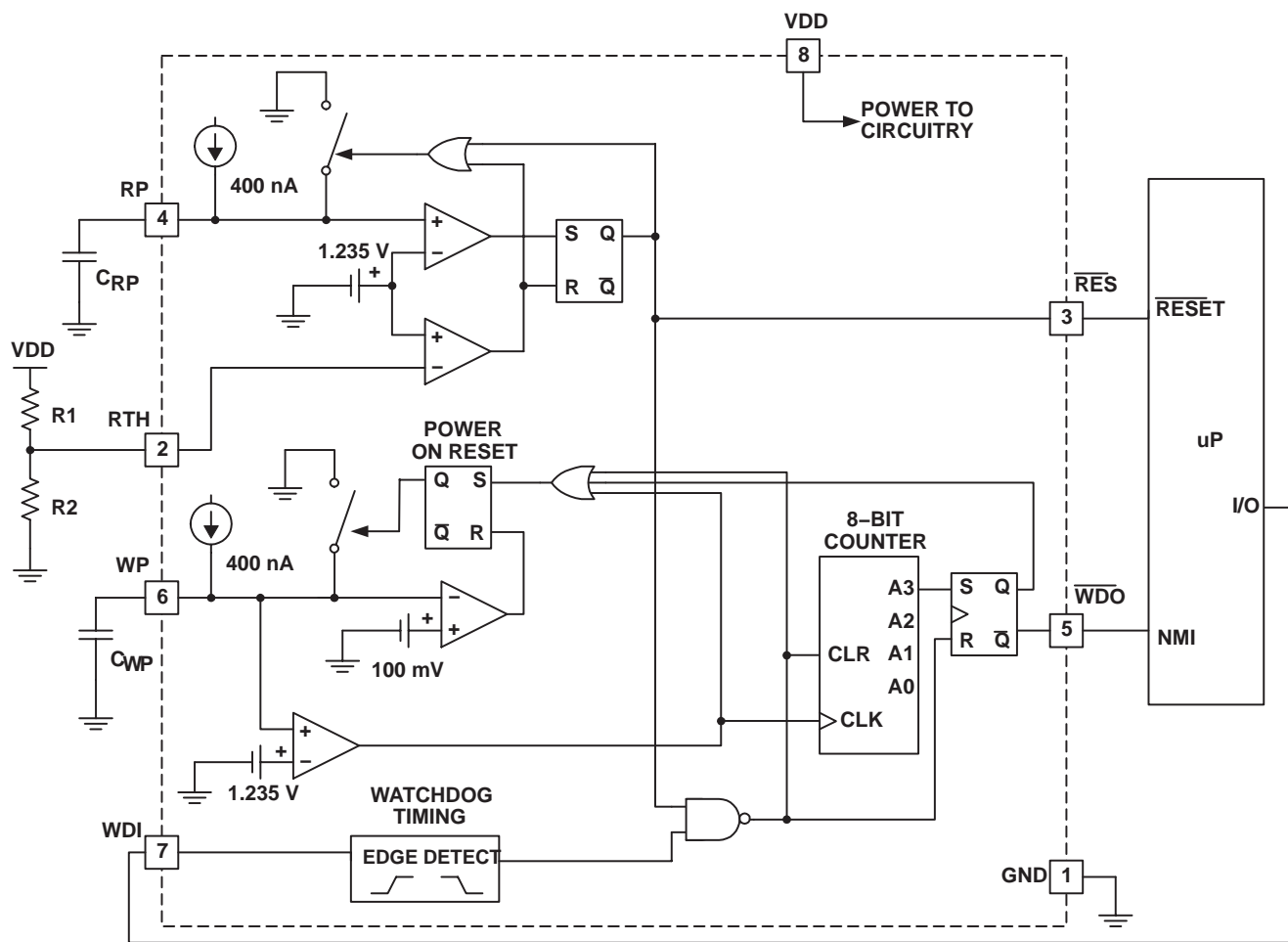
APPLICATION INFORMATION

PROGRAMMING THE RESET VOLTAGE AND RESET PERIOD

The UCCx946 allows the reset trip voltage to be programmed with two external resistors. In most applications VDD is monitored by the reset circuit, however, the design allows voltages other than VDD to be monitored. Referring to Figure 2, the voltage below which reset is asserted is determined by:

$$V_{\text{RESET}} = 1.235 \times \left(\frac{R1 + R2}{R2} \right) \tag{1}$$

In order to keep quiescent currents low, resistor values in the megaohm range can be used for R1 and R2. A manual reset can be easily implemented by connecting a momentary push switch in parallel with R2. $\overline{\text{RES}}$ is ensured to be low with VDD voltages as low as 1 V.



UDG-98002

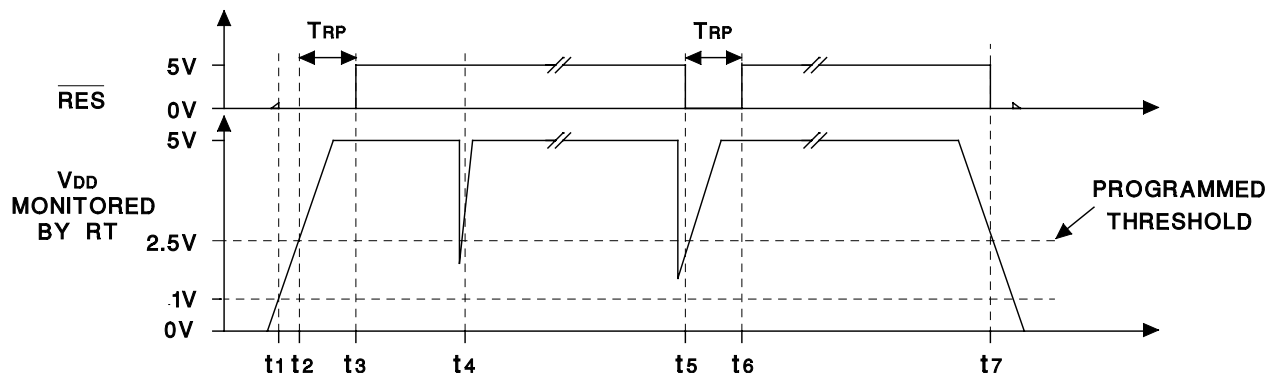
Figure 2. Typical Application Diagram

APPLICATION INFORMATION

Once VDD rises above the programmed threshold, $\overline{\text{RES}}$ remains low for the reset period defined by:

$$T_{RP} = 3.125 \times C_{RP} \tag{2}$$

where T_{RP} is time in milliseconds and C_{RP} is capacitance in nanofarads. C_{RP} is charged with a precision current source of 400 nA, a high-quality, low-leakage capacitor (such as an NPO ceramic) should be used to maintain timing tolerances. Figure 3 illustrates the voltage levels and timings associated with the reset circuit.



UDG-97067

- t1: VDD > 1 V, $\overline{\text{RES}}$ is ensured low.
- t2: VDD > programmed threshold, $\overline{\text{RES}}$ remains low for TRP.
- t3: T_{RP} expires, $\overline{\text{RES}}$ pulls high.
- t4: Voltage glitch occurs, but is filtered at the RTH pin, $\overline{\text{RES}}$ remains high.
- t5: Voltage glitch occurs whose magnitude and duration is greater than the RTH filter, $\overline{\text{RES}}$ is asserted for TRP.
- t6: On completion of the TRP pulse the RTH voltage has returned and $\overline{\text{RES}}$ is pulled high.
- t7: VDD dips below threshold (minus hysteresis), $\overline{\text{RES}}$ is asserted.

Figure 3. Reset Circuit Timings

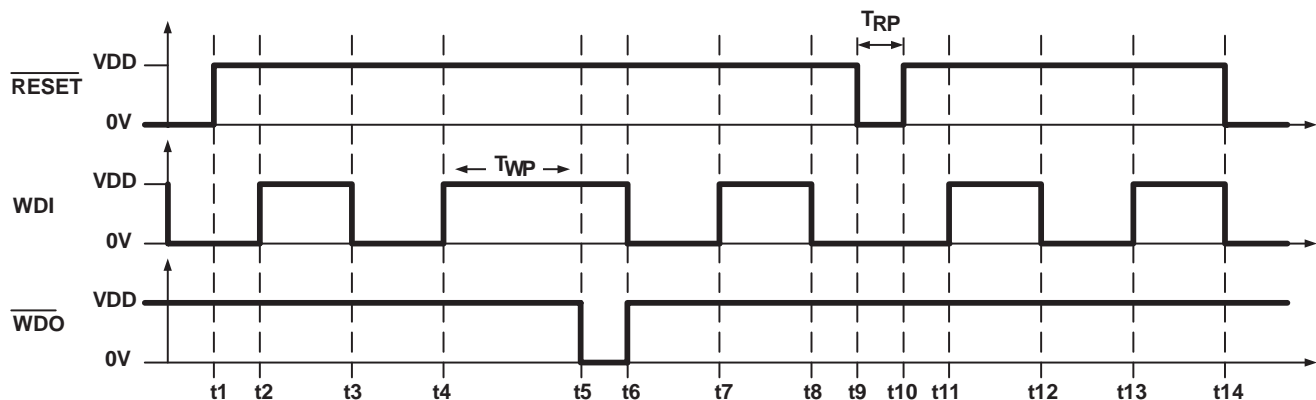
APPLICATION INFORMATION

PROGRAMMING THE WATCHDOG PERIOD

The watchdog period is programmed with C_{WP} as follows:

$$T_{WP} = 25 \times C_{WP} \tag{3}$$

where T_{WP} is in milliseconds and C_{WP} is in nanofarads. A high-quality, low-leakage capacitor should be used for C_{WP} . The watchdog input \overline{WDI} must be toggled with a high-to-low or low-to-high transition within the watchdog period to prevent \overline{WDO} from assuming a logic level low. \overline{WDO} maintains the low logic level until \overline{WDI} is toggled or \overline{RES} is asserted. If at any time \overline{RES} is asserted, \overline{WDO} assumes a high logic state and the watchdog period be reinitiated. Figure 4 illustrates the timings associated with the watchdog circuit.



UDG-98007

- t1: Microprocessor is reset.
- t2: \overline{WDI} is toggled some time after reset, but before TWP expires.
- t3: \overline{WDI} is toggled before TWP expires.
- t4: \overline{WDI} is toggled before TWP expires.
- t5: \overline{WDI} is not toggled before TWP expires and \overline{WDO} asserts low, triggering the microprocessor to enter an error recovery routine.
- t6: The microprocessor's error recovery routine is executed and \overline{WDI} is toggled, reinitiating the watchdog timer.
- t7: \overline{WDI} is toggled before TWP expires.
- t8: \overline{WDI} is toggled before TWP expires.
- t9: \overline{RES} is momentarily triggered, \overline{RES} is asserted low for TRP .
- t10: Microprocessor is reset, \overline{RES} pulls high.
- t11: \overline{WDI} is toggled some time after reset, but before TWP expires.
- t12: \overline{WDI} is toggled before TWP expires.
- t13: \overline{WDI} is toggled before TWP expires.
- t14: VDD dips below the reset threshold, \overline{RES} is asserted.

Figure 4. Watchdog Circuit Timings

APPLICATION INFORMATION

CONNECTING \overline{WDO} TO \overline{RES}

In order to provide design flexibility, the reset and watchdog circuits in the UCCx946 have separate outputs. Each output independently drives high or low, depending on circuit conditions explained previously.

In some applications, it may be desirable for either the \overline{RES} or \overline{WDO} to reset the microprocessor. This can be done by connecting \overline{WDO} to \overline{RES} . If the pins try to drive to different output levels, the low output level dominates. Additional current flows from VDD to GND during these states. If the application cannot support additional current (during fault conditions), \overline{RES} and \overline{WDO} can be connected to the inputs of an OR gate whose output is connected to the microprocessor's reset pin.

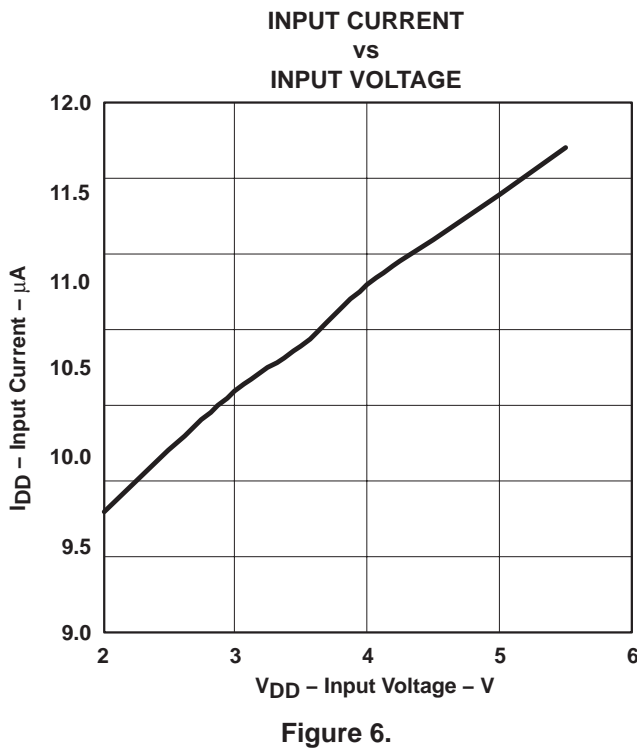
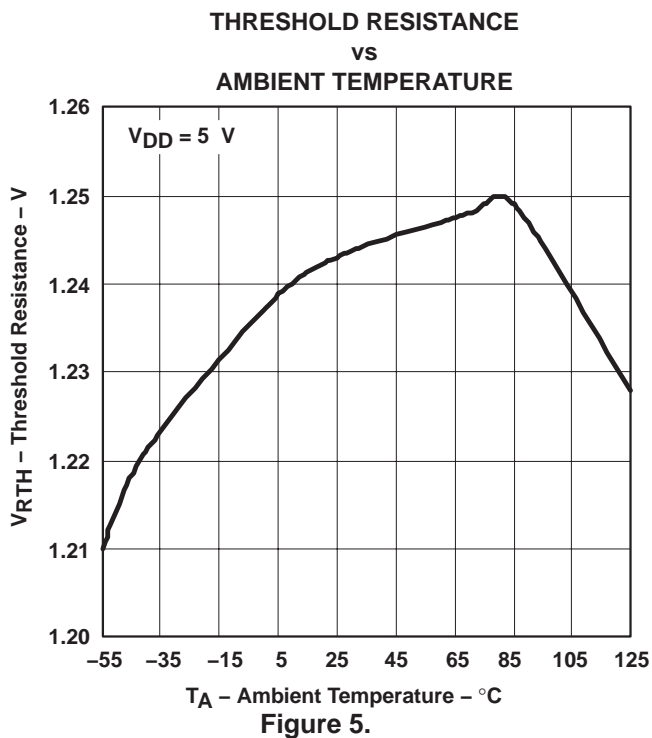
LAYOUT CONSIDERATIONS

A 0.1- μ F capacitor connected from VDD to GND is recommended to decouple the UCCx946 from switching transients on the VDD supply rail.

Since RP and WP are precision current sources, capacitors C_{RP} and C_{WP} should be connected to these pins with minimal trace length to reduce board capacitance. Care should be taken to route any traces with high voltage potential or high speed digital signals away from these capacitors.

Resistors R1 and R2 generally have a high ohmic value, traces associated with these parts should be kept short in order to prevent any transient producing signals from coupling into the high impedance RTH pin.

TYPICAL CHARACTERISTICS



PACKAGING INFORMATION

Orderable Device	Status (1)	Package Type	Package Drawing	Pins	Package Qty	Eco Plan (2)	Lead/Ball Finish (6)	MSL Peak Temp (3)	Op Temp (°C)	Device Marking (4/5)	Samples
UCC2946D	ACTIVE	SOIC	D	8	75	Green (RoHS & no Sb/Br)	CU NIPDAU	Level-2-260C-1 YEAR	-40 to 85	UCC2946	Samples
UCC2946DG4	ACTIVE	SOIC	D	8	75	Green (RoHS & no Sb/Br)	CU NIPDAU	Level-2-260C-1 YEAR	-40 to 85	UCC2946	Samples
UCC2946DTR	ACTIVE	SOIC	D	8	2500	Green (RoHS & no Sb/Br)	CU NIPDAU	Level-2-260C-1 YEAR	-40 to 85	UCC2946	Samples
UCC2946DTRG4	ACTIVE	SOIC	D	8	2500	Green (RoHS & no Sb/Br)	CU NIPDAU	Level-2-260C-1 YEAR	-40 to 85	UCC2946	Samples
UCC2946PW	ACTIVE	TSSOP	PW	8	150	Green (RoHS & no Sb/Br)	CU NIPDAU	Level-2-260C-1 YEAR	-40 to 85	2946	Samples
UCC2946PWG4	ACTIVE	TSSOP	PW	8	150	Green (RoHS & no Sb/Br)	CU NIPDAU	Level-2-260C-1 YEAR	-40 to 85	2946	Samples
UCC2946PWTR	ACTIVE	TSSOP	PW	8	2000	Green (RoHS & no Sb/Br)	CU NIPDAU	Level-2-260C-1 YEAR	-40 to 85	2946	Samples
UCC2946PWTRG4	ACTIVE	TSSOP	PW	8	2000	Green (RoHS & no Sb/Br)	CU NIPDAU	Level-2-260C-1 YEAR	-40 to 85	2946	Samples
UCC3946D	ACTIVE	SOIC	D	8	75	Green (RoHS & no Sb/Br)	CU NIPDAU	Level-2-260C-1 YEAR	0 to 70	UCC3946	Samples
UCC3946DTR	ACTIVE	SOIC	D	8	2500	Green (RoHS & no Sb/Br)	CU NIPDAU	Level-2-260C-1 YEAR	0 to 70	UCC3946	Samples
UCC3946PW	ACTIVE	TSSOP	PW	8	150	Green (RoHS & no Sb/Br)	CU NIPDAU	Level-2-260C-1 YEAR	0 to 70	3946	Samples
UCC3946PWTR	ACTIVE	TSSOP	PW	8	2000	Green (RoHS & no Sb/Br)	CU NIPDAU	Level-2-260C-1 YEAR	0 to 70	3946	Samples

(1) The marketing status values are defined as follows:

ACTIVE: Product device recommended for new designs.

LIFEBUY: TI has announced that the device will be discontinued, and a lifetime-buy period is in effect.

NRND: Not recommended for new designs. Device is in production to support existing customers, but TI does not recommend using this part in a new design.

PREVIEW: Device has been announced but is not in production. Samples may or may not be available.

OBSELETE: TI has discontinued the production of the device.

(2) **RoHS:** TI defines "RoHS" to mean semiconductor products that are compliant with the current EU RoHS requirements for all 10 RoHS substances, including the requirement that RoHS substance do not exceed 0.1% by weight in homogeneous materials. Where designed to be soldered at high temperatures, "RoHS" products are suitable for use in specified lead-free processes. TI may reference these types of products as "Pb-Free".

RoHS Exempt: TI defines "RoHS Exempt" to mean products that contain lead but are compliant with EU RoHS pursuant to a specific EU RoHS exemption.

Green: TI defines "Green" to mean the content of Chlorine (Cl) and Bromine (Br) based flame retardants meet JS709B low halogen requirements of ≤ 1000 ppm threshold. Antimony trioxide based flame retardants must also meet the ≤ 1000 ppm threshold requirement.

(3) MSL, Peak Temp. - The Moisture Sensitivity Level rating according to the JEDEC industry standard classifications, and peak solder temperature.

(4) There may be additional marking, which relates to the logo, the lot trace code information, or the environmental category on the device.

(5) Multiple Device Markings will be inside parentheses. Only one Device Marking contained in parentheses and separated by a "~" will appear on a device. If a line is indented then it is a continuation of the previous line and the two combined represent the entire Device Marking for that device.

(6) Lead/Ball Finish - Orderable Devices may have multiple material finish options. Finish options are separated by a vertical ruled line. Lead/Ball Finish values may wrap to two lines if the finish value exceeds the maximum column width.

Important Information and Disclaimer: The information provided on this page represents TI's knowledge and belief as of the date that it is provided. TI bases its knowledge and belief on information provided by third parties, and makes no representation or warranty as to the accuracy of such information. Efforts are underway to better integrate information from third parties. TI has taken and continues to take reasonable steps to provide representative and accurate information but may not have conducted destructive testing or chemical analysis on incoming materials and chemicals. TI and TI suppliers consider certain information to be proprietary, and thus CAS numbers and other limited information may not be available for release.

In no event shall TI's liability arising out of such information exceed the total purchase price of the TI part(s) at issue in this document sold by TI to Customer on an annual basis.

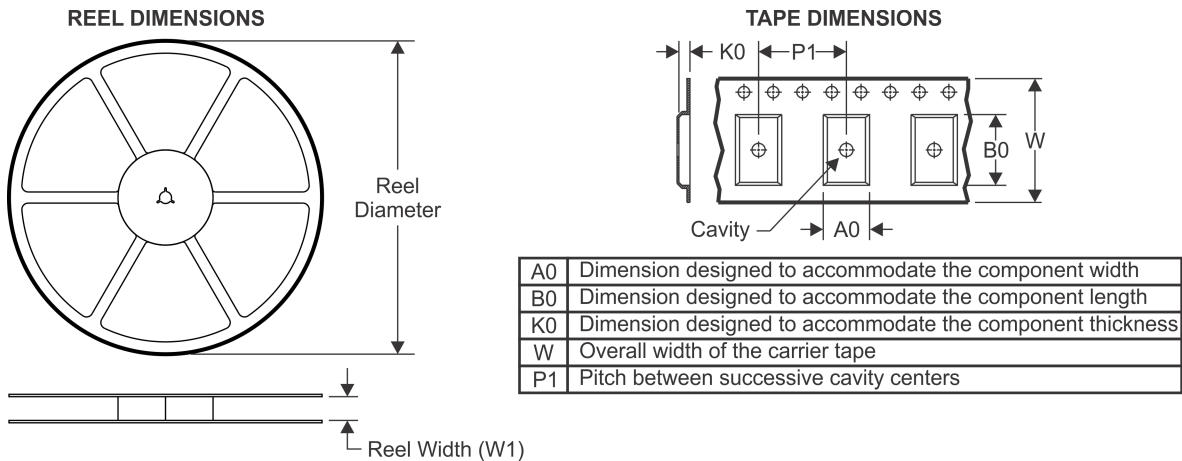
OTHER QUALIFIED VERSIONS OF UCC2946 :

- Automotive: [UCC2946-Q1](#)

NOTE: Qualified Version Definitions:

- Automotive - Q100 devices qualified for high-reliability automotive applications targeting zero defects

TAPE AND REEL INFORMATION



QUADRANT ASSIGNMENTS FOR PIN 1 ORIENTATION IN TAPE



*All dimensions are nominal

Device	Package Type	Package Drawing	Pins	SPQ	Reel Diameter (mm)	Reel Width W1 (mm)	A0 (mm)	B0 (mm)	K0 (mm)	P1 (mm)	W (mm)	Pin1 Quadrant
UCC2946DTR	SOIC	D	8	2500	330.0	12.4	6.4	5.2	2.1	8.0	12.0	Q1
UCC2946PWTR	TSSOP	PW	8	2000	330.0	12.4	7.0	3.6	1.6	8.0	12.0	Q1
UCC3946DTR	SOIC	D	8	2500	330.0	12.4	6.4	5.2	2.1	8.0	12.0	Q1
UCC3946PWTR	TSSOP	PW	8	2000	330.0	12.4	7.0	3.6	1.6	8.0	12.0	Q1

TAPE AND REEL BOX DIMENSIONS


*All dimensions are nominal

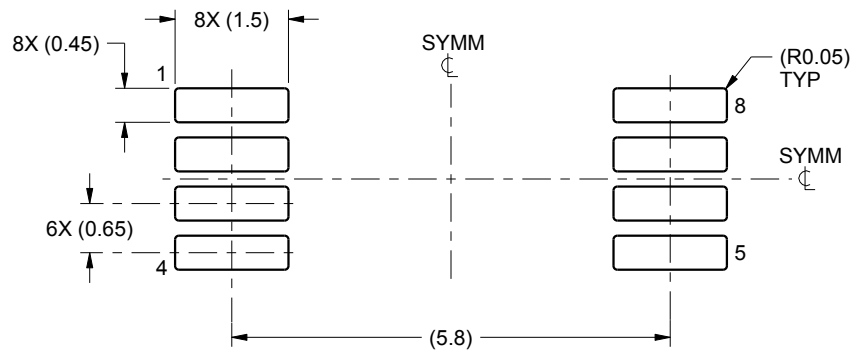
Device	Package Type	Package Drawing	Pins	SPQ	Length (mm)	Width (mm)	Height (mm)
UCC2946DTR	SOIC	D	8	2500	367.0	367.0	35.0
UCC2946PWTR	TSSOP	PW	8	2000	367.0	367.0	35.0
UCC3946DTR	SOIC	D	8	2500	367.0	367.0	35.0
UCC3946PWTR	TSSOP	PW	8	2000	367.0	367.0	35.0

EXAMPLE BOARD LAYOUT

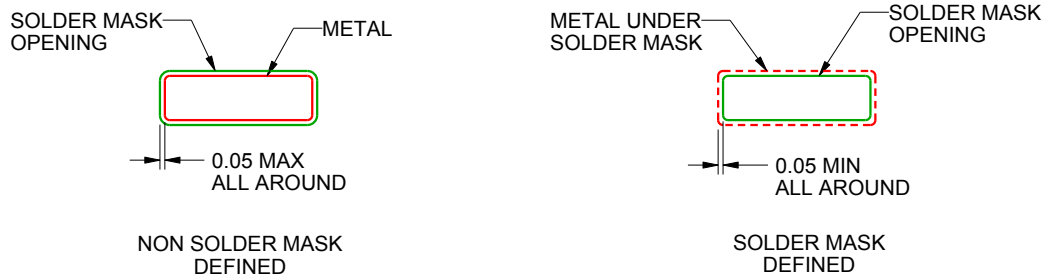
PW0008A

TSSOP - 1.2 mm max height

SMALL OUTLINE PACKAGE



LAND PATTERN EXAMPLE
SCALE:10X



SOLDER MASK DETAILS
NOT TO SCALE

4221848/A 02/2015

NOTES: (continued)

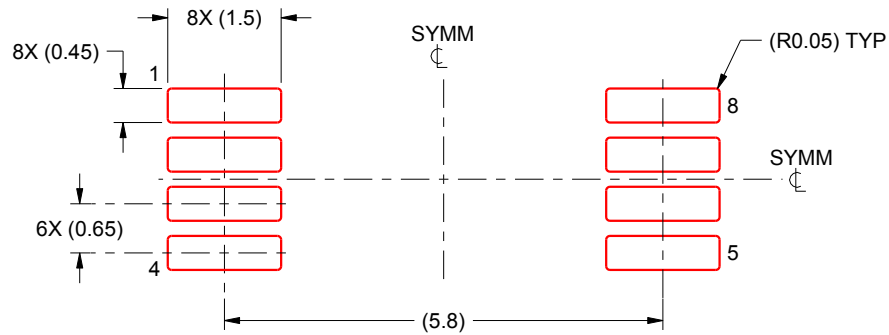
- 6. Publication IPC-7351 may have alternate designs.
- 7. Solder mask tolerances between and around signal pads can vary based on board fabrication site.

EXAMPLE STENCIL DESIGN

PW0008A

TSSOP - 1.2 mm max height

SMALL OUTLINE PACKAGE



SOLDER PASTE EXAMPLE
BASED ON 0.125 mm THICK STENCIL
SCALE:10X

4221848/A 02/2015

NOTES: (continued)

8. Laser cutting apertures with trapezoidal walls and rounded corners may offer better paste release. IPC-7525 may have alternate design recommendations.
9. Board assembly site may have different recommendations for stencil design.



D0008A

PACKAGE OUTLINE

SOIC - 1.75 mm max height

SMALL OUTLINE INTEGRATED CIRCUIT



4214825/C 02/2019

NOTES:

- Linear dimensions are in inches [millimeters]. Dimensions in parenthesis are for reference only. Controlling dimensions are in inches. Dimensioning and tolerancing per ASME Y14.5M.
- This drawing is subject to change without notice.
- This dimension does not include mold flash, protrusions, or gate burrs. Mold flash, protrusions, or gate burrs shall not exceed .006 [0.15] per side.
- This dimension does not include interlead flash.
- Reference JEDEC registration MS-012, variation AA.

EXAMPLE BOARD LAYOUT

D0008A

SOIC - 1.75 mm max height

SMALL OUTLINE INTEGRATED CIRCUIT



LAND PATTERN EXAMPLE
EXPOSED METAL SHOWN
SCALE:8X



SOLDER MASK DETAILS

4214825/C 02/2019

NOTES: (continued)

6. Publication IPC-7351 may have alternate designs.

7. Solder mask tolerances between and around signal pads can vary based on board fabrication site.

EXAMPLE STENCIL DESIGN

D0008A

SOIC - 1.75 mm max height

SMALL OUTLINE INTEGRATED CIRCUIT



SOLDER PASTE EXAMPLE
BASED ON .005 INCH [0.125 MM] THICK STENCIL
SCALE:8X

4214825/C 02/2019

NOTES: (continued)

8. Laser cutting apertures with trapezoidal walls and rounded corners may offer better paste release. IPC-7525 may have alternate design recommendations.
9. Board assembly site may have different recommendations for stencil design.

IMPORTANT NOTICE AND DISCLAIMER

TI PROVIDES TECHNICAL AND RELIABILITY DATA (INCLUDING DATASHEETS), DESIGN RESOURCES (INCLUDING REFERENCE DESIGNS), APPLICATION OR OTHER DESIGN ADVICE, WEB TOOLS, SAFETY INFORMATION, AND OTHER RESOURCES "AS IS" AND WITH ALL FAULTS, AND DISCLAIMS ALL WARRANTIES, EXPRESS AND IMPLIED, INCLUDING WITHOUT LIMITATION ANY IMPLIED WARRANTIES OF MERCHANTABILITY, FITNESS FOR A PARTICULAR PURPOSE OR NON-INFRINGEMENT OF THIRD PARTY INTELLECTUAL PROPERTY RIGHTS.

These resources are intended for skilled developers designing with TI products. You are solely responsible for (1) selecting the appropriate TI products for your application, (2) designing, validating and testing your application, and (3) ensuring your application meets applicable standards, and any other safety, security, or other requirements. These resources are subject to change without notice. TI grants you permission to use these resources only for development of an application that uses the TI products described in the resource. Other reproduction and display of these resources is prohibited. No license is granted to any other TI intellectual property right or to any third party intellectual property right. TI disclaims responsibility for, and you will fully indemnify TI and its representatives against, any claims, damages, costs, losses, and liabilities arising out of your use of these resources.

TI's products are provided subject to TI's Terms of Sale (www.ti.com/legal/termsofsale.html) or other applicable terms available either on ti.com or provided in conjunction with such TI products. TI's provision of these resources does not expand or otherwise alter TI's applicable warranties or warranty disclaimers for TI products.

Mailing Address: Texas Instruments, Post Office Box 655303, Dallas, Texas 75265
Copyright © 2019, Texas Instruments Incorporated

Looking for pricing, stock, or lifecycle information?

Click below to explore more details on WIN SOURCE:

 [View UCC2946D](#) on WIN SOURCE

 [Texas Instruments](#) Information

Optimize Your Supply Chain with WIN SOURCE Solutions

-  Global Sourcing Solution
-  Obsolete Management
-  Cost Control Management
-  Shortage Management
-  Alternative Solution
-  Excess Inventory Management