



**THE DATASHEET OF
A6595KLW**



8-Bit Serial Input DMOS Power Driver

Discontinued Product

These parts are no longer in production. The device should not be purchased for new design applications. Samples are no longer available.

Date of status change: May 3, 2010

Recommended Substitutions:

For existing customer transition, and for new customers or new applications, refer to your Allegro sales representative.

NOTE: For detailed information on purchasing options, contact your local Allegro field applications engineer or sales representative.

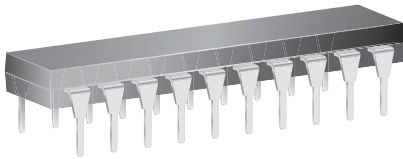
Allegro MicroSystems, Inc. reserves the right to make, from time to time, revisions to the anticipated product life cycle plan for a product to accommodate changes in production capabilities, alternative product availabilities, or market demand. The information included herein is believed to be accurate and reliable. However, Allegro MicroSystems, Inc. assumes no responsibility for its use; nor for any infringements of patents or other rights of third parties which may result from its use.

8-Bit Serial Input DMOS Power Driver

Features and Benefits

- 50 V minimum output clamp voltage
- 250 mA output current (all outputs simultaneously)
- 1.3 Ω typical $r_{DS(on)}$
- Low power consumption
- Replacements for TPIC6595N and TPIC6595DW

Package: 20-pin DIP (suffix A)



Not to scale

Description

The A6595 combines an 8-bit CMOS shift register and accompanying data latches, control circuitry, and DMOS power driver outputs. Power driver applications include relays, solenoids, and other medium-current or high-voltage peripheral power loads.

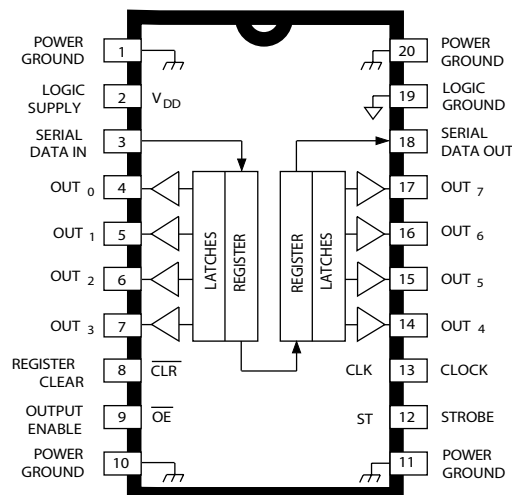
The serial-data input, CMOS shift register and latches allow direct interfacing with microprocessor-based systems. Serial-data input rates are over 5 MHz. Use with TTL may require appropriate pull-up resistors to ensure an input logic high.

A CMOS serial-data output enables cascade connections in applications requiring additional drive lines.

The A6595 DMOS open-drain outputs are capable of sinking up to 750 mA. All of the output drivers are disabled (the DMOS sink drivers turned off) by the OUTPUT ENABLE input high.

The A6595 is furnished in a 20-pin dual in-line plastic package that is lead (Pb) free, with 100% matte tin leadframe plating. Copper leadframe base material, reduced supply current requirements, and low on-state resistance allow the device to sink 150 mA from all outputs continuously, to ambient temperatures to 125°C.

Pin-out Diagram



Selection Guide

Part Number	Packing
A6595KA-T	18 pieces per tube

Absolute Maximum Ratings*

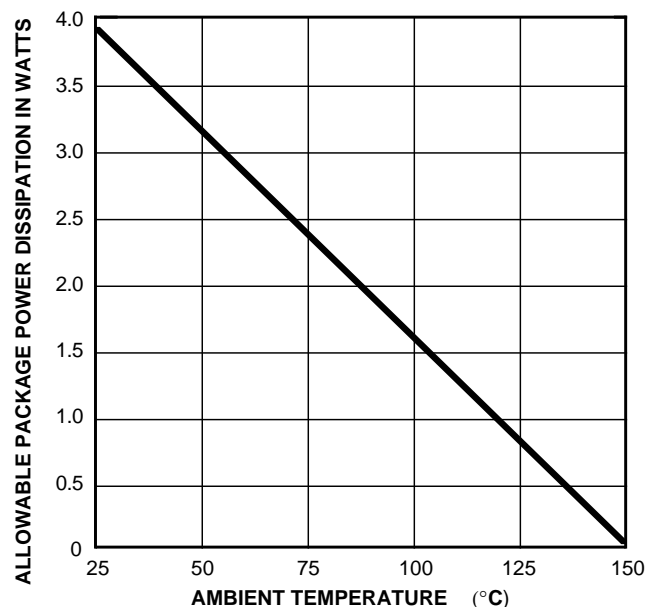
Characteristic	Symbol	Notes	Rating	Units
Logic Supply Voltage	V_{DD}		7.0	V
Input Voltage Range	V_I		-0.3 to 7.0	V
Output Voltage	V_O		50	V
Output Drain Current	I_O	Continuous, each output, all outputs on	250	mA
	I_{OM}	Pulsed $t_w \leq 100 \mu s$, duty cycle $\leq 2\%$; each output, all outputs on	750	mA
		Pulsed $t_w \leq 100 \mu s$, duty cycle $\leq 2\%$;	2.0	A
Single-Pulse Avalanche Energy	E_{AS}		75	mJ
Operating Ambient Temperature	T_A	Range K	-40 to 125	$^{\circ}C$
Maximum Junction Temperature	$T_J(max)$		150	$^{\circ}C$
Storage Temperature	T_{stg}		-55 to 150	$^{\circ}C$

*These CMOS devices have input static protection (Class 3) but are still susceptible to damage if exposed to extremely high static electrical charges.

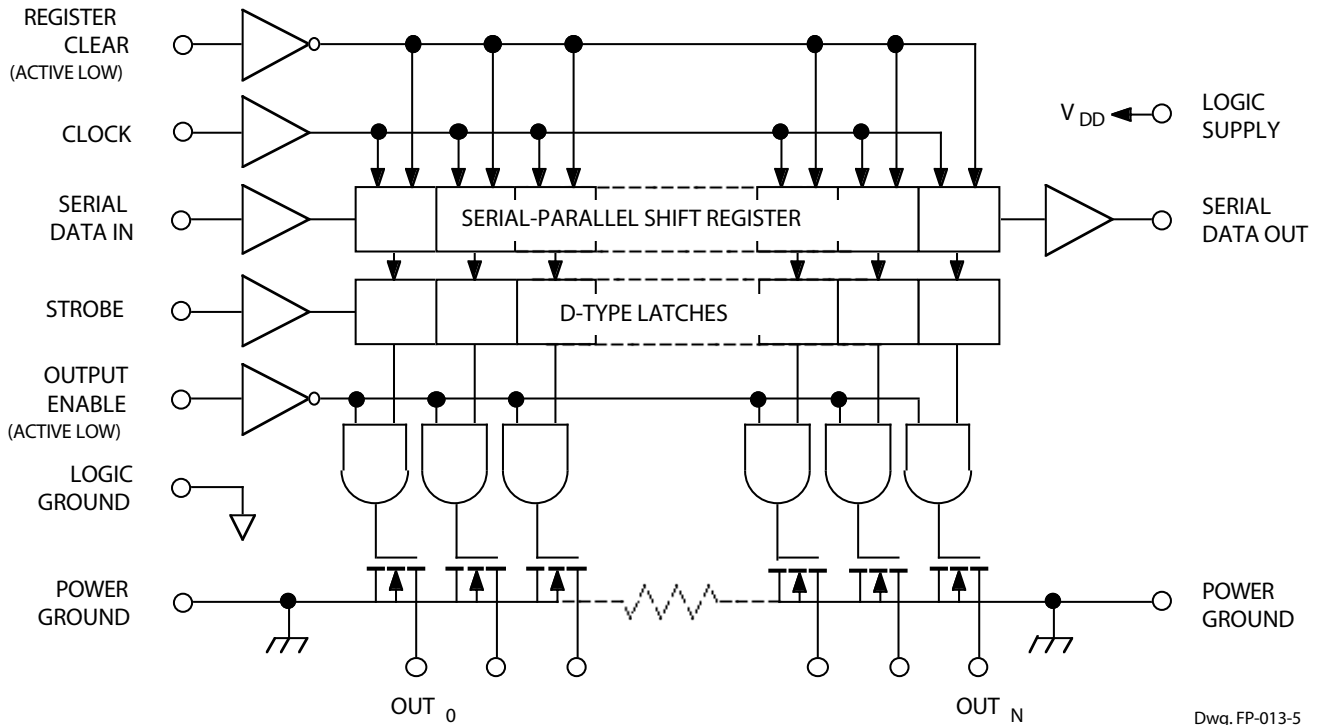
Thermal Characteristics may require derating at maximum conditions, see application information

Characteristic	Symbol	Test Conditions*	Value	Units
Package Thermal Resistance	$R_{\theta JA}$	On 4-layer PCB based on JEDEC standard	32	$^{\circ}C/W$

*Additional thermal information available on the Allegro website.

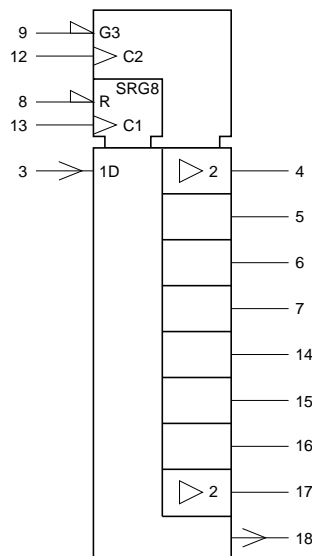


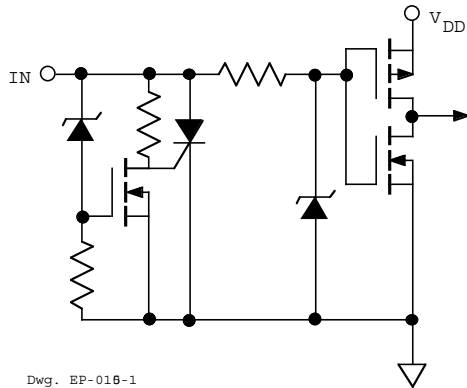
Functional Block Diagram



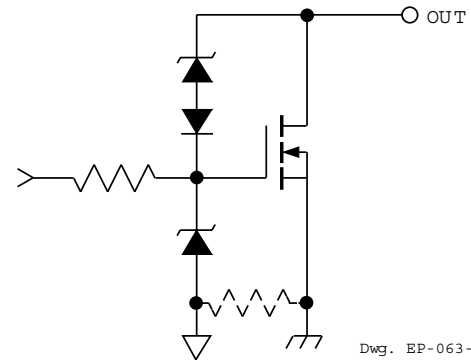
Grounds (terminals 1, 10, 11, 19, and 20) must be connected together externally.

Device Logic Diagram





LOGIC INPUTS

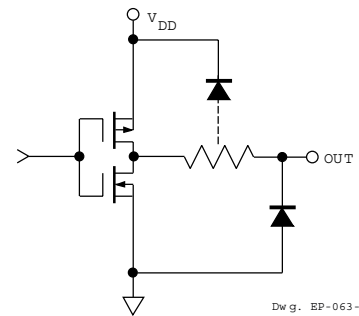


DMOS POWER DRIVER OUTPUT

RECOMMENDED OPERATING CONDITIONS

over operating temperature range

- Logic Supply Voltage Range, V_{DD} 4.5 V to 5.5 V
- High-Level Input Voltage, V_{IH} $\geq 0.85V_{DD}$
- Low-level input voltage, V_{IL} $\leq 0.15V_{DD}$



SERIAL DATA OUT

TRUTH TABLE

Data Input	Clock Input	Shift Register Contents						Serial Data Output	Strobe	Latch Contents						Output Enable	Output Contents																						
		I_0	I_1	I_2	...	I_6	I_7			l_0	l_1	l_2	...	l_6	l_7		o_0	o_1	o_2	...	o_6	o_7																	
H		H	R_0	R_1	...	R_5	R_6	R_6																															
L		L	R_0	R_1	...	R_5	R_6	R_6																															
X		R_0	R_1	R_2	...	R_6	R_7	R_7																															
		X	X	X	...	X	X	X	—			R_0	R_1	R_2	...	R_6	R_7																						
		P_0	P_1	P_2	...	P_6	P_7	P_7				P_0	P_1	P_2	...	P_6	P_7	L																					
												X	X	X	...	X	X	H																					

L = Low Logic Level H = High Logic Level X = Irrelevant P = Present State R = Previous State

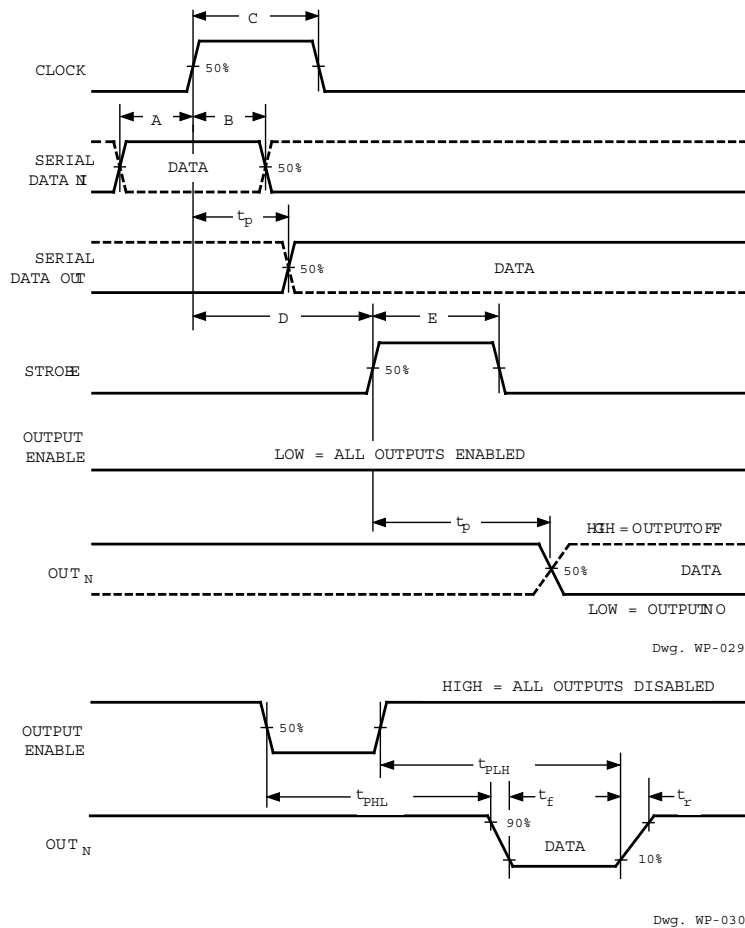
ELECTRICAL CHARACTERISTICS at $T_A = +25^\circ\text{C}$, $V_{DD} = 5\text{ V}$, $t_{ir} = t_{if} \leq 10\text{ ns}$ (unless otherwise specified).

Characteristic	Symbol	Test Conditions	Limits			
			Min.	Typ.	Max.	Units
Output Breakdown Voltage	$V_{(BR)DSX}$	$I_O = 1\text{ mA}$	50	—	—	V
Off-State Output Current	I_{DSX}	$V_O = 40\text{ V}$	—	0.05	1.0	μA
		$V_O = 40\text{ V}$, $T_A = 125^\circ\text{C}$	—	0.15	5.0	μA
Static Drain-Source On-State Resistance	$r_{DS(on)}$	$I_O = 250\text{ mA}$, $V_{DD} = 4.5\text{ V}$	—	1.3	2.0	Ω
		$I_O = 250\text{ mA}$, $V_{DD} = 4.5\text{ V}$, $T_A = 125^\circ\text{C}$	—	2.0	3.2	Ω
		$I_O = 500\text{ mA}$, $V_{DD} = 4.5\text{ V}$ (see note)	—	1.3	2.0	Ω
Nominal Output Current	I_{ON}	$V_{DS(on)} = 0.5\text{ V}$, $T_A = 85^\circ\text{C}$	—	250	—	mA
Logic Input Current	I_{IH}	$V_I = V_{DD} = 5.5\text{ V}$	—	—	1.0	μA
	I_{IL}	$V_I = 0$, $V_{DD} = 5.5\text{ V}$	—	—	-1.0	μA
Logic Input Hysteresis	$V_{I(hys)}$		—	1.3	—	V
SERIAL-DATA Output Voltage	V_{OH}	$I_{OH} = -20\text{ }\mu\text{A}$, $V_{DD} = 4.5\text{ V}$	4.4	4.49	—	V
		$I_{OH} = -4\text{ mA}$, $V_{DD} = 4.5\text{ V}$	4.1	4.3	—	V
	V_{OL}	$I_{OL} = 20\text{ }\mu\text{A}$, $V_{DD} = 4.5\text{ V}$	—	0.002	0.1	V
		$I_{OL} = 4\text{ mA}$, $V_{DD} = 4.5\text{ V}$	—	0.2	0.4	V
Prop. Delay Time	t_{PLH}	$I_O = 250\text{ mA}$, $C_L = 30\text{ pF}$	—	650	—	ns
	t_{PHL}	$I_O = 250\text{ mA}$, $C_L = 30\text{ pF}$	—	150	—	ns
Output Rise Time	t_r	$I_O = 250\text{ mA}$, $C_L = 30\text{ pF}$	—	7500	—	ns
Output Fall Time	t_f	$I_O = 250\text{ mA}$, $C_L = 30\text{ pF}$	—	425	—	ns
Supply Current	$I_{DD(OFF)}$	All inputs low	—	15	100	μA
	$I_{DD(ON)}$	$V_{DD} = 5.5\text{ V}$, Outputs on	—	150	300	μA
	$I_{DD(fclk)}$	$f_{clk} = 5\text{ MHz}$, $C_L = 30\text{ pF}$, Outputs off	—	0.6	5.0	mA

Typical Data is at $V_{DD} = 5\text{ V}$ and is for design information only.

NOTE — Pulse test, duration $\leq 100\text{ }\mu\text{s}$, duty cycle $\leq 2\%$.

TIMING REQUIREMENTS and SPECIFICATIONS
(Logic Levels are V_{DD} and Ground)



- A.** Data Active Time Before Clock Pulse
(Data Set-Up Time), $t_{su(D)}$ **10 ns**
- B.** Data Active Time After Clock Pulse
(Data Hold Time), $t_{h(D)}$ **10 ns**
- C.** Clock Pulse Width, $t_{w(CLK)}$ **20 ns**
- D.** Time Between Clock Activation
and Strobe, $t_{su(ST)}$ **50 ns**
- E.** Strobe Pulse Width, $t_{w(ST)}$ **50 ns**
- F.** Output Enable Pulse Width, $t_{w(OE)}$ **4.5 μ s**

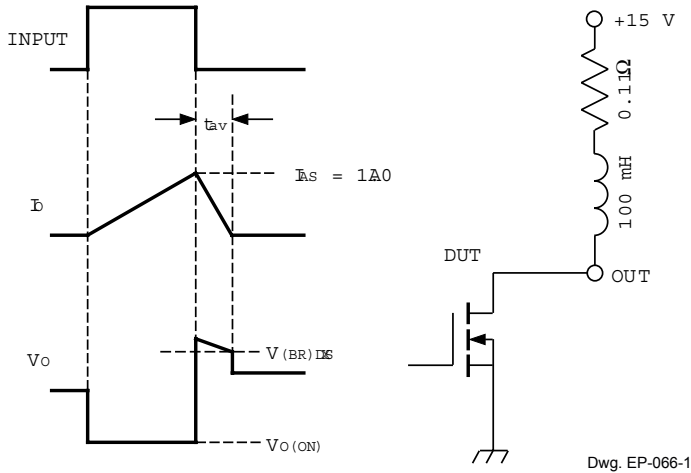
NOTE – Timing is representative of a 12.5 MHz clock.
Higher speeds are attainable.

Serial data present at the input is transferred to the shift register on the rising edge of the CLOCK input pulse. On succeeding CLOCK pulses, the registers shift data information towards the SERIAL DATA OUTPUT.

Information present at any register is transferred to the respective latch on the rising edge of the STROBE input pulse (serial-to-parallel conversion).

When the OUTPUT ENABLE input is high, the output source drivers are disabled (OFF). The information stored in the latches is not affected by the OUTPUT ENABLE input. With the OUTPUT ENABLE input low, the outputs are controlled by the state of their respective latches.

TEST CIRCUITS



$$E_{AS} = I_{AS} \times V_{(BR)DSX} \times t_{AV}/2$$

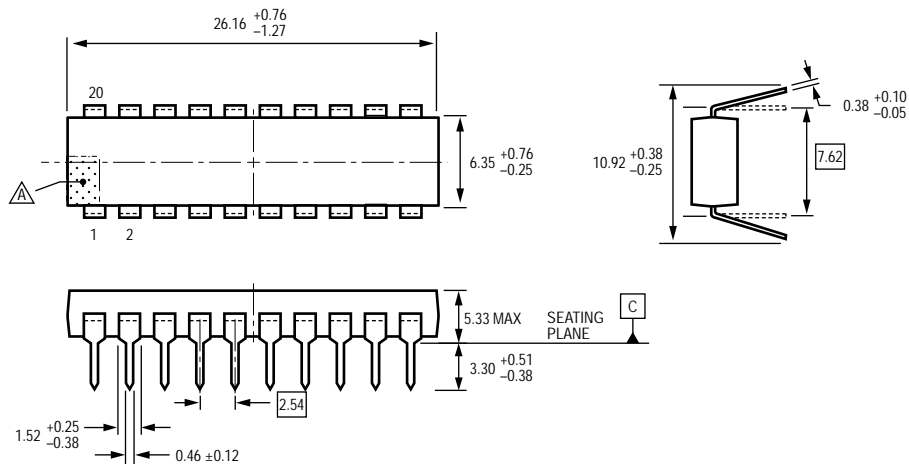
Single-Pulse Avalanche Energy Test Circuit and Waveforms

TERMINAL DESCRIPTIONS

Terminal No.	Terminal Name	Function
1	POWER GROUND	Reference terminal for output voltage measurements (OUT _{0,3}).
2	LOGIC SUPPLY	(V _{DD}) The logic supply voltage (typically 5 V).
3	SERIAL DATA IN	Serial-data input to the shift-register.
4-7	OUT _{0,3}	Current-sinking, open-drain DMOS output terminals.
8	CLEAR	When (active) low, the registers are cleared (set low).
9	OUTPUT ENABLE	When (active) low, the output drivers are enabled; when high, all output drivers are turned OFF (blanked).
10	POWER GROUND	Reference terminal for output voltage measurements (OUT _{0,3}).
11	POWER GROUND	Reference terminal for output voltage measurements (OUT _{0,7}).
12	STROBE	Data strobe input terminal; shift register data is latched on rising edge.
13	CLOCK	Clock input terminal for data shift on rising edge.
14-17	OUT _{4,7}	Current-sinking, open-drain DMOS output terminals.
18	SERIAL DATA OUT	CMOS serial-data output to the following shift register.
19	LOGIC GROUND	Reference terminal for input voltage measurements.
20	POWER GROUND	Reference terminal for output voltage measurements (OUT _{4,7}).

NOTE — Grounds (terminals 1, 10, 11, 19, and 20) must be connected together externally.

Package A, 20-Pin DIP



Preliminary dimensions, for reference only
 Dimensions in inches
 Metric dimensions (mm) in brackets, for reference only
 (reference JEDEC MS-001 AD)
 Dimensions exclusive of mold flash, gate burrs, and dambar protrusions
 Exact case and lead configuration at supplier discretion within limits shown
 ⚠ Terminal #1 mark area

Copyright ©2000-2008, Allegro MicroSystems, Inc.

The products described here are manufactured under one or more U.S. patents or U.S. patents pending.

Allegro MicroSystems, Inc. reserves the right to make, from time to time, such departures from the detail specifications as may be required to permit improvements in the performance, reliability, or manufacturability of its products. Before placing an order, the user is cautioned to verify that the information being relied upon is current.

Allegro's products are not to be used in life support devices or systems, if a failure of an Allegro product can reasonably be expected to cause the failure of that life support device or system, or to affect the safety or effectiveness of that device or system.

The information included herein is believed to be accurate and reliable. However, Allegro MicroSystems, Inc. assumes no responsibility for its use; nor for any infringement of patents or other rights of third parties which may result from its use.

For the latest version of this document, visit our website:

www.allegromicro.com



Looking for pricing, stock, or lifecycle information?

Click below to explore more details on WIN SOURCE:

- ⊖ [View A6595KLW](#) on WIN SOURCE
- ⊖ [Allegro MicroSystems, LLC](#) Information

Optimize Your Supply Chain with WIN SOURCE Solutions

- ✓ Global Sourcing Solution
- ✓ Obsolete Management
- ✓ Cost Control Management
- ✓ Shortage Management
- ✓ Alternative Solution
- ✓ Excess Inventory Management