



**THE DATASHEET OF  
XC6205B09AMRN**



## 300mA/150mA High Speed LDO Regulators with ON-OFF Control

### GENERAL DESCRIPTION

The XC6204/XC6205 series are highly precise, low noise, positive voltage LDO regulators manufactured using CMOS processes. The series achieves high ripple rejection and low dropout and consists of a standard voltage source, an error correction, current limiter and a phase compensation circuit plus a driver transistor.

Output voltage is selectable in 0.05V steps within a range of 0.9V ~ 6.0V.

The series is also compatible with low ESR ceramic capacitors which give added output stability. This stability can be maintained even during load fluctuations due to the excellent transient response of the series.

The current limiter's foldback circuit also operates as a short protect for the output current limiter and the output pin.

The CE function enables the output to be turned off, resulting in greatly reduced power consumption.

### APPLICATIONS

- Smart phones / Mobile phones
- Portable game consoles
- Digital still cameras / Camcorders
- Digital audio equipments
- Reference voltage sources
- Multi-function power supplies

### FEATURES

- Maximum Output Current** : 150mA  
300mA(XC6204 E to H type)
- Dropout Voltage** : 200mV @ 100mA  
60mV @ 30mA
- Operating Voltage** : 2V ~ 10V
- Output Voltage Range** : 1.8V ~ 6.0V (XC6204)  
0.9V ~ 1.75V (XC6205)
- Highly Accurate** : ± 2%, ± 1%
- Low Power Consumption** : 70 μ A (TYP.)
- Standby Current** : 0.1 μ A (MAX.)
- High Ripple Rejection** : 70dB@10kHz (XC6204)  
60dB@10kHz (XC6205)
- Low ESR Capacitor Compatible**  
: Ceramic capacitor
- Operating Ambient Temperature**  
: -40 ~ 85
- Packages** : SOT-25, SOT-89-5, USP-6B
- Environmentally Friendly** : EU RoHS Compliant, Pb Free

### TYPICAL APPLICATION CIRCUIT



### TYPICAL PERFORMANCE CHARACTERISTICS



## PIN CONFIGURATION



## PIN ASSIGNMENT

PIN NUMBER			PIN NAME	FUNCTIONS
SOT-25	SOT-89-5	USP-6B		
1	4	1	V <sub>IN</sub>	Input
2	2	5	V <sub>SS</sub>	Ground
3	3	6	CE	ON/OFF Control
4	1	2, 4	NC	No Connection
5	5	3	V <sub>OUT</sub>	Output

## FUNCTIONS

XC6204/6205 A, B, E, F Type

CE	OPERATIONAL STATE
H	ON
L	OFF

H= High Level

L= Low Level

XC6204/6205 C, D, G, H Type

CE	OPERATIONAL STATE
H	OFF
L	ON

## PRODUCT CLASSIFICATION

Ordering Information

XC6204/XC6205 -

DESIGNATOR	ITEM	SYMBOL	DESCRIPTION
(*)	Type of Regulator (CE pin Logic)	A	150mA Active High, pull-down resistor built-in <sup>(*)</sup> (Semi-Custom)
		B	150mA Active High, no pull-down resistor built-in (Standard)
		C	150mA Active Low, pull-up resistor built-in <sup>(*)</sup> (Semi-Custom)
		D	150mA Active Low, no pull-up resistor built-in (Semi-Custom)
		E	300mA <sup>(*)</sup> Active High, pull-down resistor built-in <sup>(*)</sup> (Semi-Custom)
		F	300mA <sup>(*)</sup> Active High, no pull-down resistor built-in (Standard)
		G	300mA <sup>(*)</sup> Active Low, pull-up resistor built-in <sup>(*)</sup> (Semi-Custom)
		H	300mA <sup>(*)</sup> Active Low, no pull-up resistor built-in (Semi-Custom)
	Output Voltage	09 ~ 17	XC6205
		18 ~ 60	XC6204 e.g. V <sub>OUT</sub> =2.0V =2, =0
	Output Voltage Accuracy	2 <sup>(*)</sup>	0.1V increments, ± 2% accuracy e.g. V <sub>OUT</sub> =2.8V, ± 2% =3, =8, =2
		1 <sup>(*)</sup>	0.1V increments, ± 1% accuracy e.g. V <sub>OUT</sub> =3.0V, ± 1% =3, =0, =1
		A <sup>(*)</sup>	0.05V increments, ± 2% accuracy e.g. V <sub>OUT</sub> =2.85V, ± 2% =2, =8, =A
		B <sup>(*)</sup>	0.05V increments, ± 1% accuracy e.g. V <sub>OUT</sub> =3.85V, ± 1% =3, =8, =B
- <sup>(*)</sup>	Packages (Order Unit)	MR	SOT-25 (3,000/Reel)
		MR-G	SOT-25 (3,000/Reel)
		DR	USP-6B (3,000/Reel)
		DR-G	USP-6B (3,000/Reel)
		PR	SOT-89-5 (1,000/Reel)
		PR-G	SOT-89-5 (1,000/Reel)

<sup>(\*)</sup> E to H types are compatible to 300mA of XC6204 series. (XC6205 can not draw 300mA depending on output voltage.)

<sup>(\*)</sup> With the pull-up resistor or pull-down resistor built-in types, the supply current during operation will increase by V<sub>IN</sub> / 300kΩ (TYP.)

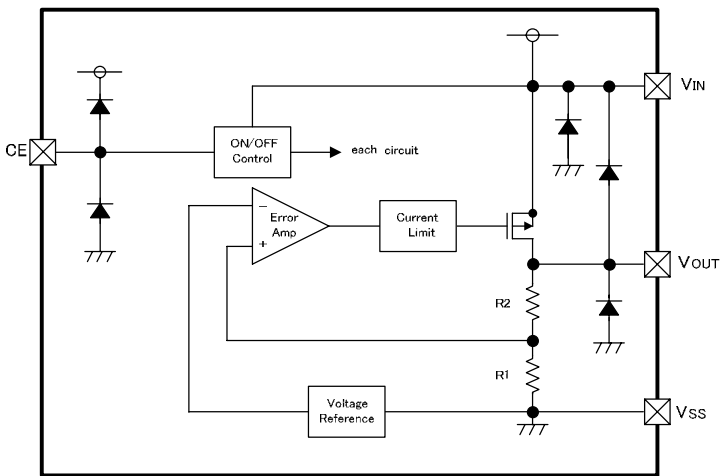
<sup>(\*)</sup> Output voltage range of the ±1% accuracy product is 2.95V to 6.0V.

<sup>(\*)</sup> Output voltage accuracy of the V<sub>OUT</sub> = 1.5V is ±30mV.

<sup>(\*)</sup> The "-G" suffix denotes Halogen and Antimony free as well as being fully EU RoHS compliant.

## BLOCK DIAGRAM

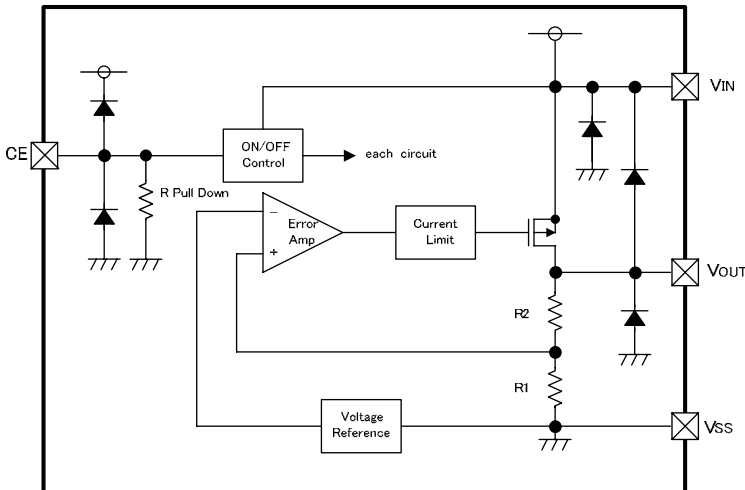
1) XC6204, XC6205 Series B, D, F, H Type



2) XC6204, XC6205 Series C, G Type



3) XC6204, XC6205 Series A, E Type



\*Diodes shown in the above circuit are protective diodes.

## ABSOLUTE MAXIMUM RATINGS

Ta=25

PARAMETER	SYMBOL	RATINGS	UNITS	
Input Voltage	V <sub>IN</sub>	12.0	V	
Output Current	I <sub>OUT</sub>	500*	mA	
Output Voltage	V <sub>OUT</sub>	V <sub>SS</sub> -0.3 ~ V <sub>IN</sub> +0.3	V	
CE Input Voltage	V <sub>CE</sub>	V <sub>SS</sub> -0.3 ~ V <sub>IN</sub> +0.3	V	
Power Dissipation	SOT-25	250	mW	
		600(PCB mounted) <sup>(*)2</sup>		
		USP-6B		120
				1000(PCB mounted) <sup>(*)2</sup>
SOT-89-5	500	1300(PCB mounted) <sup>(*)2</sup>		
Operating Ambient Temperature	T <sub>opr</sub>	-40 ~ +85		
Storage Temperature	T <sub>stg</sub>	-55 ~ +125		

<sup>(\*)1</sup> I<sub>OUT</sub>=Pd/(V<sub>IN</sub>-V<sub>OUT</sub>)

<sup>(\*)2</sup> The power dissipation figure shown is PCB mounted and is for reference only. Please refer to page 42~44 for details.

## ELECTRICAL CHARACTERISTICS

XC6204A, B Type

PARAMETER	SYMBOL	CONDITIONS	Ta = 25			-40 ≤ Ta ≤ 85			UNITS	CIRCUIT	
			MIN.	TYP.	MAX.	MIN.	TYP.	MAX.			
Output Voltage (2% products)	V <sub>OUT(E)</sub>	I <sub>OUT</sub> = 30mA	× 0.98	V <sub>OUT(T)</sub>	× 1.02	V <sub>OUT(T)</sub>	× 0.97	V <sub>OUT(T)</sub>	× 1.03	V	1
Output Voltage (1% products)			× 0.99		× 1.01		× 0.98		× 1.02		
Maximum Output Current	I <sub>OUTMAX</sub>	-	150	-	-	150	-	-	mA	1	
Load Regulation	ΔV <sub>OUT</sub>	1mA I <sub>OUT</sub> 100mA	-	15	50	-	30	80	mV	1	
Dropout Voltage	V <sub>dif1</sub>	I <sub>OUT</sub> = 30mA	E-1						mV	1	
	V <sub>dif2</sub>	I <sub>OUT</sub> = 100mA	E-2								
Supply Current (A type)	I <sub>DD</sub>	V <sub>IN</sub> = V <sub>CE</sub> = V <sub>OUT(T)</sub> +1.0V	50	80	120	50	90	145	μA	2	
Supply Current (B type)		V <sub>IN</sub> = V <sub>CE</sub> = V <sub>OUT(T)</sub> +1.0V	40	70	100	40	80	120			
Standby Current	I <sub>STBY</sub>	V <sub>IN</sub> = V <sub>OUT(T)</sub> +1.0V, V <sub>CE</sub> = V <sub>SS</sub>	-	0.01	0.10	-	0.05	1.00	μA	2	
Line Regulation	$\frac{\Delta V_{OUT}}{\Delta V_{IN} \cdot V_{OUT}}$	V <sub>OUT(T)</sub> +1.0V V <sub>IN</sub> 10V I <sub>OUT</sub> = 30mA	-	0.01	0.20	-	0.05	0.30	%/V	1	
Input Voltage	V <sub>IN</sub>	-	2	-	10	2	-	10	V	-	
Output Voltage Temperature Characteristics	$\frac{\Delta V_{OUT}}{\Delta T_{opr} \cdot V_{OUT}}$	I <sub>OUT</sub> = 30mA -40 T <sub>opr</sub> 85	-	100	-	-	-	-	ppm/	1	
Output Noise	en	I <sub>OUT</sub> = 10mA 300Hz~50kHz	-	30	-	-	-	-	μVrms	3	
Power Supply Rejection Ratio	PSRR	V <sub>IN</sub> = {V <sub>OUT(T)</sub> +1.0}V+1.0Vp-pAC I <sub>OUT</sub> = 50mA, f=10kHz	-	70	-	-	-	-	dB	4	
Current Limiter	I <sub>lim</sub>	V <sub>IN</sub> = V <sub>OUT(T)</sub> +1.0V, V <sub>CE</sub> = V <sub>IN</sub>	-	300	-	-	280	-	mA	1	
Short-circuit Current	I <sub>short</sub>	V <sub>IN</sub> = V <sub>OUT(T)</sub> +1.0V, V <sub>CE</sub> = V <sub>IN</sub>	-	50	-	-	60	-	mA	1	
CE "High" Voltage	V <sub>CEH</sub>	-	1.6	-	V <sub>IN</sub>	1.7	-	V <sub>IN</sub>	V	1	
CE "Low" Voltage	V <sub>CEL</sub>	-	-	-	0.25	-	-	0.20			
CE "High" Current (A type)	I <sub>CEH</sub>	V <sub>IN</sub> = V <sub>CE</sub> = V <sub>OUT(T)</sub> +1.0V	3.2	-	20.0	3.0	-	25.0	μA	2	
CE "High" Current (B type)		V <sub>IN</sub> = V <sub>CE</sub> = V <sub>OUT(T)</sub> +1.0V	-0.10	-	0.10	-0.15	-	0.15			
CE "Low" Current		I <sub>CEL</sub>	V <sub>IN</sub> = V <sub>OUT(T)</sub> +1.0V, V <sub>CE</sub> = V <sub>SS</sub>	-0.10	-	0.10	-0.15	-			0.15

**NOTE:**

(\*1) Unless otherwise stated, V<sub>IN</sub>=V<sub>OUT(T)</sub>+1.0V

(\*2) V<sub>OUT(T)</sub>=Specified output voltage

(\*3) V<sub>OUT(E)</sub>=Effective output voltage (i.e. the output voltage when "V<sub>OUT(T)</sub>+1.0V" is provided at the V<sub>IN</sub> pin while maintaining a certain I<sub>OUT</sub> value).

(\*4) V<sub>dif</sub>=V<sub>IN1</sub>-V<sub>OUT1</sub>

V<sub>OUT1</sub>=A voltage equal to 98% of the output voltage whenever an amply stabilized I<sub>OUT</sub> {V<sub>OUT(T)</sub>+1.0V} is input.

V<sub>IN1</sub>=The input voltage when V<sub>OUT1</sub> appears as input voltage is gradually decreased.

(\*5) The values for -40 Ta 85 are designed values.

## ELECTRICAL CHARACTERISTICS (Continued)

XC6204C, D Type

PARAMETER	SYMBOL	CONDITIONS	Ta = 25			-40 ≤ Ta ≤ 85			UNITS	CIRCUIT	
			MIN.	TYP.	MAX.	MIN.	TYP.	MAX.			
Output Voltage (2% products)	V <sub>OUT(E)</sub>	I <sub>OUT</sub> = 30mA	× 0.98	V <sub>OUT(T)</sub>	× 1.02	V <sub>OUT(T)</sub>	× 0.97	V <sub>OUT(T)</sub>	× 1.03	V	1
Output Voltage (1% products)			× 0.99		× 1.01		× 0.98		× 1.02		
Maximum Output Current	I <sub>OUTMAX</sub>	-	150	-	-	150	-	-	mA	1	
Load Regulation	ΔV <sub>OUT</sub>	1mA I <sub>OUT</sub> 100mA	-	15	50	-	30	80	mV	1	
Dropout Voltage	V <sub>dif1</sub>	I <sub>OUT</sub> = 30mA	E-1						mV	1	
	V <sub>dif2</sub>	I <sub>OUT</sub> = 100mA	E-2								
Supply Current (C type)	I <sub>DD</sub>	V <sub>IN</sub> = V <sub>OUT(T)</sub> +1.0V, V <sub>CE</sub> = V <sub>SS</sub>	50	80	120	50	90	145	μA	2	
Supply Current (D type)		V <sub>IN</sub> = V <sub>OUT(T)</sub> +1.0V, V <sub>CE</sub> = V <sub>SS</sub>	40	70	100	40	80	120			
Standby Current	I <sub>STBY</sub>	V <sub>IN</sub> = V <sub>CE</sub> = V <sub>OUT(T)</sub> +1.0V	-	0.01	0.10	-	0.05	1.00	μA	2	
Line Regulation	$\frac{\Delta V_{OUT}}{\Delta V_{IN} \cdot V_{OUT}}$	V <sub>OUT(T)</sub> +1.0V V <sub>IN</sub> 10V I <sub>OUT</sub> = 30mA	-	0.01	0.20	-	0.05	0.30	%/V	1	
Input Voltage	V <sub>IN</sub>	-	2	-	10	2	-	10	V	-	
Output Voltage Temperature Characteristics	$\frac{\Delta V_{OUT}}{\Delta T_{opr} \cdot V_{OUT}}$	I <sub>OUT</sub> = 30mA -40 T <sub>opr</sub> 85	-	100	-	-	-	-	ppm/	1	
Output Noise	en	I <sub>OUT</sub> = 10mA 300Hz~50kHz	-	30	-	-	-	-	μVrms	3	
Power Supply Rejection Ratio	PSRR	V <sub>IN</sub> = {V <sub>OUT(T)</sub> +1.0}V+1.0Vp-pAC I <sub>OUT</sub> = 50mA, f = 10kHz	-	70	-	-	-	-	dB	4	
Current Limiter	I <sub>lim</sub>	V <sub>IN</sub> = V <sub>OUT(T)</sub> +1.0V, V <sub>CE</sub> = V <sub>SS</sub>	-	300	-	-	280	-	mA	1	
Short-circuit Current	I <sub>short</sub>	V <sub>IN</sub> = V <sub>OUT(T)</sub> +1.0V, V <sub>CE</sub> = V <sub>SS</sub>	-	50	-	-	60	-	mA	1	
CE "High" Voltage	V <sub>CEH</sub>	-	1.6	-	V <sub>IN</sub>	1.7	-	V <sub>IN</sub>	V	1	
CE "Low" Voltage	V <sub>CEL</sub>	-	-	-	0.25	-	-	0.20			
CE "High" Current	I <sub>CEH</sub>	V <sub>IN</sub> = V <sub>CE</sub> = V <sub>OUT(T)</sub> +1.0V	-0.10	-	0.10	-0.15	-	0.15	μA	2	
CE "Low" Current (C type)	I <sub>CEL</sub>	V <sub>IN</sub> = V <sub>OUT(T)</sub> +1.0V, V <sub>CE</sub> = V <sub>SS</sub>	-20.0	-	-3.2	-25.0	-	-3.0			
CE "Low" Current (D type)		V <sub>IN</sub> = V <sub>OUT(T)</sub> +1.0V, V <sub>CE</sub> = V <sub>SS</sub>	-0.10	-	0.10	-0.15	-	0.15			

NOTE:

(\*1) Unless otherwise stated, V<sub>IN</sub>=V<sub>OUT(T)</sub>+1.0V

(\*2) V<sub>OUT(T)</sub>=Specified output voltage

(\*3) V<sub>OUT(E)</sub>=Effective output voltage (i.e. the output voltage when "V<sub>OUT(T)</sub>+1.0V" is provided at the V<sub>IN</sub> pin while maintaining a certain I<sub>OUT</sub> value).

(\*4) V<sub>dif</sub>=V<sub>IN1</sub>-V<sub>OUT1</sub>

V<sub>OUT1</sub>=A voltage equal to 98% of the output voltage whenever an amply stabilized I<sub>OUT</sub> {V<sub>OUT(T)</sub>+1.0V} is input.

V<sub>IN1</sub>=The input voltage when V<sub>OUT1</sub> appears as input voltage is gradually decreased.

(\*5) The values for -40 Ta 85 are designed values.

## ELECTRICAL CHARACTERISTICS (Continued)

XC6204E, F Type

PARAMETER	SYMBOL	CONDITIONS	Ta = 25			UNITS	CIRCUIT
			MIN.	TYP.	MAX.		
Output Voltage (2% products)	V <sub>OUT(E)</sub>	I <sub>OUT</sub> = 30mA	E-0			V	1
Maximum Output Current	I <sub>OUTMAX</sub>	V <sub>IN</sub> = V <sub>OUT(T)</sub> +1.0V When V <sub>OUT</sub> = 2.0V, V <sub>IN</sub> = 3.0V	300	-	-	mA	1
Load Regulation	ΔV <sub>OUT</sub>	1mA I <sub>OUT</sub> 100mA	-	15	50	mV	1
Dropout Voltage	V <sub>dif1</sub>	I <sub>OUT</sub> = 30mA	E-1			mV	1
	V <sub>dif2</sub>	I <sub>OUT</sub> = 100mA	E-2				
Supply Current (E type)	I <sub>DD</sub>	V <sub>IN</sub> = V <sub>VCE</sub> = V <sub>OUT(T)</sub> +1.0V	50	80	120	μA	2
Supply Current (F type)		V <sub>IN</sub> = V <sub>VCE</sub> = V <sub>OUT(T)</sub> +1.0V	40	70	100		
Standby Current	I <sub>STBY</sub>	V <sub>IN</sub> = V <sub>OUT(T)</sub> +1.0V, V <sub>VCE</sub> = V <sub>SS</sub>	-	0.01	0.10	μA	2
Line Regulation	$\frac{\Delta V_{OUT}}{\Delta V_{IN} \cdot V_{OUT}}$	V <sub>OUT(T)</sub> +1.0V V <sub>IN</sub> 10V I <sub>OUT</sub> = 30mA	-	0.01	0.20	%/V	1
	V <sub>IN</sub>	-	2	-	10	V	-
Output Voltage Temperature Characteristics	$\frac{\Delta V_{OUT}}{\Delta T_{opr} \cdot V_{OUT}}$	I <sub>OUT</sub> = 30mA -40 T <sub>opr</sub> 85	-	100	-	ppm/	1
Output Noise	e <sub>n</sub>	I <sub>OUT</sub> = 10mA 300Hz~50kHz		30	-	μV <sub>rms</sub>	3
Power Supply Rejection Ratio	PSRR	V <sub>IN</sub> = {V <sub>OUT(T)</sub> +1.0}V+1.0Vp-pAC I <sub>OUT</sub> = 50mA, f = 10kHz	-	70	-	dB	4
Current Limiter	I <sub>lim</sub>	V <sub>IN</sub> = V <sub>OUT(T)</sub> +1.0V, V <sub>VCE</sub> = V <sub>IN</sub>	-	380	-	mA	1
Short-circuit Current	I <sub>short</sub>	V <sub>IN</sub> = V <sub>OUT(T)</sub> +1.0V, V <sub>VCE</sub> = V <sub>IN</sub>	-	50	-	mA	1
CE "High" Voltage	V <sub>CEH</sub>	-	1.6	-	V <sub>IN</sub>	V	1
CE "Low" Voltage	V <sub>CEL</sub>	-	-	-	0.25		
CE "High" Current (E type)	I <sub>CEH</sub>	V <sub>IN</sub> = V <sub>VCE</sub> = V <sub>OUT(T)</sub> +1.0V	3.2	-	20.0	μA	2
CE "High" Current (F type)		V <sub>IN</sub> = V <sub>VCE</sub> = V <sub>OUT(T)</sub> +1.0V	-0.10	-	0.10		
CE "Low" Current	I <sub>CEL</sub>	V <sub>IN</sub> = V <sub>OUT(T)</sub> +1.0V, V <sub>VCE</sub> = V <sub>SS</sub>	-0.10	-	0.10	μA	2

NOTE:

(\*1) Unless otherwise stated, V<sub>IN</sub>=V<sub>OUT(T)</sub>+1.0V

(\*2) V<sub>OUT(T)</sub>=Specified output voltage

(\*3) V<sub>OUT(E)</sub>=Effective output voltage (i.e. the output voltage when "V<sub>OUT(T)</sub>+1.0V" is provided at the V<sub>IN</sub> pin while maintaining a certain I<sub>OUT</sub> value).

(\*4) V<sub>dif</sub>=V<sub>IN1</sub>-V<sub>OUT1</sub>

V<sub>OUT1</sub>=A voltage equal to 98% of the output voltage whenever an amply stabilized I<sub>OUT</sub> {V<sub>OUT(T)</sub>+1.0V} is input.

V<sub>IN1</sub>=The input voltage when V<sub>OUT1</sub> appears as input voltage is gradually decreased.

## ELECTRICAL CHARACTERISTICS (Continued)

XC6204G, H Type

PARAMETER	SYMBOL	CONDITIONS	Ta = 25			UNITS	CIRCUIT
			MIN.	TYP.	MAX.		
Output Voltage (2% products)	V <sub>OUT(E)</sub>	I <sub>OUT</sub> = 30mA	E-0			V	1
Maximum Output Current	I <sub>OUTMAX</sub>	V <sub>IN</sub> = V <sub>OUT(T)</sub> +1.0V When V <sub>OUT</sub> = 2.0V, V <sub>IN</sub> = 3.0V	300	-	-	mA	1
Load Regulation	ΔV <sub>OUT</sub>	1mA I <sub>OUT</sub> 100mA	-	15	50	mV	1
Dropout Voltage	V <sub>dif1</sub>	I <sub>OUT</sub> = 30mA	E-1			mV	1
	V <sub>dif2</sub>	I <sub>OUT</sub> = 100mA	E-2				
Supply Current (G type)	I <sub>DD</sub>	V <sub>IN</sub> = V <sub>OUT(T)</sub> +1.0V, V <sub>CE</sub> = V <sub>SS</sub>	50	80	120	μA	2
Supply Current (H type)		V <sub>IN</sub> = V <sub>OUT(T)</sub> +1.0V, V <sub>CE</sub> = V <sub>SS</sub>	40	70	100		
Standby Current	I <sub>STBY</sub>	V <sub>IN</sub> = V <sub>CE</sub> = V <sub>OUT(T)</sub> +1.0V	-	0.01	0.10	μA	2
Line Regulation	$\frac{\Delta V_{OUT}}{\Delta V_{IN} \cdot V_{OUT}}$	V <sub>OUT(T)</sub> +1.0V V <sub>IN</sub> 10V I <sub>OUT</sub> = 30mA	-	0.01	0.20	%/V	1
Input Voltage	V <sub>IN</sub>	-	2	-	10	V	-
Output Voltage Temperature Characteristics	$\frac{\Delta V_{OUT}}{\Delta T_{opr} \cdot V_{OUT}}$	I <sub>OUT</sub> = 30mA -40 T <sub>opr</sub> 85	-	100	-	ppm/	1
Output Noise	e <sub>n</sub>	I <sub>OUT</sub> = 10mA 300Hz~50kHz		30	-	μV <sub>rms</sub>	3
Power Supply Rejection Ratio	PSRR	V <sub>IN</sub> = {V <sub>OUT(T)</sub> +1.0}V+1.0Vp-pAC I <sub>OUT</sub> = 50mA, f = 10kHz	-	70	-	dB	4
Current Limiter	I <sub>lim</sub>	V <sub>IN</sub> = V <sub>OUT(T)</sub> +1.0V, V <sub>CE</sub> = V <sub>SS</sub>	-	380	-	mA	1
Short-circuit Current	I <sub>short</sub>	V <sub>IN</sub> = V <sub>OUT(T)</sub> +1.0V, V <sub>CE</sub> = V <sub>SS</sub>	-	50	-	mA	1
CE "High" Voltage	V <sub>CEH</sub>	-	1.6	-	V <sub>IN</sub>	V	1
CE "Low" Voltage	V <sub>CEL</sub>	-	-	-	0.25		
CE "High" Current	I <sub>CEH</sub>	V <sub>IN</sub> = V <sub>CE</sub> = V <sub>OUT(T)</sub> +1.0V	-0.10	-	0.10	μA	2
CE "Low" Current (G type)	I <sub>CEL</sub>	V <sub>IN</sub> = V <sub>OUT(T)</sub> +1.0V, V <sub>CE</sub> = V <sub>SS</sub>	-20.0	-	-3.2		
CE "Low" Current (H type)		V <sub>IN</sub> = V <sub>OUT(T)</sub> +1.0V, V <sub>CE</sub> = V <sub>SS</sub>	-0.10	-	0.10		

NOTE:

(\*1) Unless otherwise stated, V<sub>IN</sub>=V<sub>OUT(T)</sub>+1.0V

(\*2) V<sub>OUT(T)</sub>=Specified output voltage

(\*3) V<sub>OUT(E)</sub>=Effective output voltage (i.e. the output voltage when "V<sub>OUT (T)</sub>+1.0V" is provided at the V<sub>IN</sub> pin while maintaining a certain I<sub>OUT</sub> value).

(\*4) V<sub>dif</sub>=V<sub>IN1</sub>-V<sub>OUT1</sub>

V<sub>OUT1</sub>=A voltage equal to 98% of the output voltage whenever an amply stabilized I<sub>OUT</sub> {V<sub>OUT(T)</sub>+1.0V} is input.

V<sub>IN1</sub>=The input voltage when V<sub>OUT1</sub> appears as input voltage is gradually decreased.

## ELECTRICAL CHARACTERISTICS (Continued)

XC6205A, B Type

PARAMETER	SYMBOL	CONDITIONS	Ta = 25			UNITS	CIRCUIT
			MIN.	TYP.	MAX.		
Output Voltage <sup>(*5)</sup>	V <sub>OUT(E)</sub>	I <sub>OUT</sub> = 30mA	× 0.98	V <sub>OUT(T)</sub>	× 1.02	V	1
Maximum Output Current	I <sub>OUTMAX</sub>		150	-	-	mA	1
Load Regulation	ΔV <sub>OUT</sub>	1mA I <sub>OUT</sub> 100mA	-	15	50	mV	1
Dropout Voltage	V <sub>dif1</sub>	I <sub>OUT</sub> = 30mA	E-1			mV	1
	V <sub>dif2</sub>	I <sub>OUT</sub> = 100mA	E-2				
Supply Current (A type)	I <sub>DD</sub>	V <sub>IN</sub> = V <sub>C</sub> E = V <sub>OUT(T)</sub> +1.0V When V <sub>OUT</sub> 0.95V, V <sub>IN</sub> = V <sub>C</sub> E = 2.0V	50	80	120	μA	2
Supply Current (B type)		V <sub>IN</sub> = V <sub>C</sub> E = V <sub>OUT(T)</sub> +1.0V When V <sub>OUT</sub> 0.95V, V <sub>IN</sub> = V <sub>C</sub> E = 2.0V	40	70	100		
Standby Current	I <sub>STBY</sub>	V <sub>IN</sub> = V <sub>OUT(T)</sub> +1.0V, V <sub>C</sub> E = V <sub>SS</sub> When V <sub>OUT</sub> 0.95V, V <sub>IN</sub> = 2.0V	-	0.01	0.10	μA	2
Line Regulation	ΔV <sub>OUT</sub>	V <sub>OUT(T)</sub> +1.0V V <sub>IN</sub> 10V	-	0.01	0.20	%V	1
	ΔV <sub>IN</sub> ·V <sub>OUT</sub>	I <sub>OUT</sub> = 30mA, V <sub>C</sub> E = V <sub>IN</sub> When V <sub>OUT</sub> 0.95V, 2.0V V <sub>IN</sub> 10V					
Input Voltage	V <sub>IN</sub>	-	2	-	10	V	-
Output Voltage Temperature Characteristics	ΔV <sub>OUT</sub> ΔT <sub>opr</sub> ·V <sub>OUT</sub>	I <sub>OUT</sub> = 30mA -40 T <sub>opr</sub> 85	-	100	-	ppm/	1
Output Noise	e <sub>n</sub>	I <sub>OUT</sub> = 10mA 300Hz~50kHz	-	30	-	μVrms	3
Power Supply Rejection Ratio	PSRR	V <sub>IN</sub> = {V <sub>OUT(T)</sub> +1.0}V+1.0Vp-pAC When V <sub>OUT</sub> 1.5V, V <sub>IN</sub> =2.5V+1.0Vp-pAC I <sub>OUT</sub> = 50mA, f = 10kHz	-	65	-	dB	4
Current Limiter	I <sub>lim</sub>	V <sub>IN</sub> = V <sub>OUT(T)</sub> +2.0V, V <sub>C</sub> E = V <sub>IN</sub>	-	300	-	mA	1
Short-circuit Current	I <sub>short</sub>	V <sub>IN</sub> = V <sub>OUT(T)</sub> +2.0V, V <sub>C</sub> E = V <sub>IN</sub>	-	50	-	mA	1
CE "High" Voltage	V <sub>CEH</sub>	-	1.6	-	V <sub>IN</sub>	V	1
CE "Low" Voltage	V <sub>CEL</sub>	-	-	-	0.25		
CE "High" Current (A type)	I <sub>CEH</sub>	V <sub>IN</sub> = V <sub>C</sub> E = V <sub>OUT(T)</sub> +1.0V When V <sub>OUT</sub> 0.95V, V <sub>IN</sub> = V <sub>C</sub> E = 2.0V	3.2	-	20.0	μA	2
CE "High" Current (B type)		V <sub>IN</sub> = V <sub>C</sub> E = V <sub>OUT(T)</sub> +1.0V When V <sub>OUT</sub> 0.95V, V <sub>IN</sub> = V <sub>C</sub> E = 2.0V	-0.10	-	0.10		
CE "Low" Current	I <sub>CEL</sub>	V <sub>IN</sub> = V <sub>OUT(T)</sub> +1.0V, V <sub>C</sub> E = V <sub>SS</sub> When V <sub>OUT</sub> 0.95V, V <sub>IN</sub> = 2.0V	-0.10	-	0.10		

NOTE:

(\*1) Unless otherwise stated, V<sub>IN</sub>=V<sub>OUT(T)</sub>+1.0V

However, when V<sub>OUT</sub> 0.95V, V<sub>IN</sub>=2.0V

(\*2) V<sub>OUT(T)</sub>=Specified output voltage

(\*3) V<sub>OUT(E)</sub>=Effective output voltage (i.e. the output voltage when "V<sub>OUT (T)</sub>+1.0V" is provided at the V<sub>IN</sub> pin while maintaining a certain I<sub>OUT</sub> value).

(\*4) V<sub>dif</sub>=V<sub>IN1</sub>-V<sub>OUT1</sub>

V<sub>OUT1</sub>=A voltage equal to 98% of the output voltage whenever an amply stabilized I<sub>OUT</sub> {V<sub>OUT(T)</sub>+1.0V} is input.

V<sub>IN1</sub>=The input voltage when V<sub>OUT1</sub> appears as input voltage is gradually decreased.

(\*5) When V<sub>OUT(T)</sub> 1.45V, MIN. V<sub>OUT (T)</sub>-30mV, MAX. V<sub>OUT (T)</sub>+30mV

## ELECTRICAL CHARACTERISTICS (Continued)

XC6205C, D Type

PARAMETER	SYMBOL	CONDITIONS	Ta = 25			UNITS	CIRCUIT
			MIN.	TYP.	MAX.		
Output Voltage <sup>(*5)</sup>	V <sub>OUT(E)</sub>	I <sub>OUT</sub> = 30mA	× 0.98	V <sub>OUT(T)</sub>	× 1.02	V	1
Maximum Output Current	I <sub>OUTMAX</sub>		150	-	-	mA	1
Load Regulation	ΔV <sub>OUT</sub>	1mA I <sub>OUT</sub> 100mA	-	15	50	mV	1
Dropout Voltage	V <sub>dif1</sub>	I <sub>OUT</sub> = 30mA	E-1			mV	1
	V <sub>dif2</sub>	I <sub>OUT</sub> = 100mA	E-2				
Supply Current (C type)	I <sub>DD</sub>	V <sub>IN</sub> = V <sub>OUT(T)</sub> +1.0V, V <sub>CE</sub> = V <sub>SS</sub> When V <sub>OUT</sub> 0.95V, V <sub>IN</sub> = 2.0V	50	80	120	μA	2
Supply Current (D type)		V <sub>IN</sub> = V <sub>OUT(T)</sub> +1.0V, V <sub>CE</sub> = V <sub>SS</sub> When V <sub>OUT</sub> 0.95V, V <sub>IN</sub> = 2.0V	40	70	100		
Standby Current	I <sub>STBY</sub>	V <sub>IN</sub> = V <sub>CE</sub> = V <sub>OUT(T)</sub> +1.0V When V <sub>OUT</sub> 0.95V, V <sub>IN</sub> = V <sub>CE</sub> = 2.0V	-	0.01	0.10	μA	2
Line Regulation	ΔV <sub>OUT</sub>	V <sub>OUT(T)</sub> +1.0V V <sub>IN</sub> 10V	-	0.01	0.20	%V	1
	ΔV <sub>IN</sub> ·V <sub>OUT</sub>	I <sub>OUT</sub> = 30mA, V <sub>CE</sub> = V <sub>SS</sub> When V <sub>OUT</sub> 0.95V, 2.0V V <sub>IN</sub> 10V					
Input Voltage	V <sub>IN</sub>	-	2	-	10	V	-
Output Voltage Temperature Characteristics	ΔV <sub>OUT</sub>	I <sub>OUT</sub> = 30mA	-	100	-	ppm/	1
	ΔT <sub>opr</sub> ·V <sub>OUT</sub>	-40 T <sub>opr</sub> 85					
Output Noise	e <sub>n</sub>	I <sub>OUT</sub> = 10mA 300Hz~50kHz	-	30	-	μVrms	3
Power Supply Rejection Ratio	PSRR	V <sub>IN</sub> = {V <sub>OUT(T)</sub> +1.0V}+1.0Vp-pAC When V <sub>OUT</sub> 1.5V, V <sub>IN</sub> =2.5V+1.0Vp-pAC I <sub>OUT</sub> = 50mA, f = 10kHz	-	65	-	dB	4
Current Limiter	I <sub>lim</sub>	V <sub>IN</sub> = V <sub>OUT(T)</sub> +2.0V, V <sub>CE</sub> = V <sub>SS</sub>	-	300	-	mA	1
Short-circuit Current	I <sub>short</sub>	V <sub>IN</sub> = V <sub>OUT(T)</sub> +2.0V, V <sub>CE</sub> = V <sub>SS</sub>	-	50	-	mA	1
CE "High" Voltage	V <sub>CEH</sub>	-	1.6	-	V <sub>IN</sub>	V	1
CE "Low" Voltage	V <sub>CEL</sub>	-	-	-	0.25		
CE "High" Current	I <sub>CEH</sub>	V <sub>IN</sub> = V <sub>CE</sub> = V <sub>OUT(T)</sub> +1.0V When V <sub>OUT</sub> 0.95V, V <sub>IN</sub> = V <sub>CE</sub> = 2.0V	-0.10	-	0.10	μA	2
CE "Low" Current (C type)	I <sub>CEL</sub>	V <sub>IN</sub> = V <sub>OUT(T)</sub> +1.0V, V <sub>CE</sub> = V <sub>SS</sub> When V <sub>OUT</sub> 0.95V, V <sub>IN</sub> = 2.0V	-20.0	-	-3.2		
CE "Low" Current (D type)		V <sub>IN</sub> = V <sub>OUT(T)</sub> +1.0V, V <sub>CE</sub> = V <sub>SS</sub> When V <sub>OUT</sub> 0.95V, V <sub>IN</sub> = 2.0V	-0.10	-	0.10		

NOTE:

(\*1) Unless otherwise stated, V<sub>IN</sub>=V<sub>OUT(T)</sub>+1.0V

However, when V<sub>OUT</sub> 0.95V, V<sub>IN</sub>=2.0V

(\*2) V<sub>OUT(T)</sub>=Specified output voltage

(\*3) V<sub>OUT(E)</sub>=Effective output voltage (i.e. the output voltage when "V<sub>OUT(T)</sub>+1.0V" is provided at the V<sub>IN</sub> pin while maintaining a certain I<sub>OUT</sub> value).

(\*4) V<sub>dif</sub>=V<sub>IN1</sub>-V<sub>OUT1</sub>

V<sub>OUT1</sub>=A voltage equal to 98% of the output voltage whenever an amply stabilized I<sub>OUT</sub> {V<sub>OUT(T)</sub>+1.0V} is input.

V<sub>IN1</sub>=The input voltage when V<sub>OUT1</sub> appears as input voltage is gradually decreased.

(\*5) When V<sub>OUT(T)</sub> 1.45V, MIN. V<sub>OUT(T)</sub>-30mV, MAX. V<sub>OUT(T)</sub>+30mV

## ELECTRICAL CHARACTERISTICS (Continued)

XC6205E, F Type

PARAMETER	SYMBOL	CONDITIONS	Ta = 25			UNITS	CIRCUIT
			MIN.	TYP.	MAX.		
Output Voltage <sup>(*5)</sup>	V <sub>OUT(E)</sub>	I <sub>OUT</sub> = 30mA	× 0.98	V <sub>OUT(T)</sub>	× 1.02	V	1
Maximum Output Current <sup>(*6)</sup>	I <sub>OUTMAX</sub>	V <sub>IN</sub> = E-5	E-4			mA	1
Load Regulation	ΔV <sub>OUT</sub>	1mA I <sub>OUT</sub> 100mA	-	15	50	mV	1
Dropout Voltage	V <sub>dif1</sub>	I <sub>OUT</sub> = 30mA	E-1			mV	1
	V <sub>dif2</sub>	I <sub>OUT</sub> = 100mA	E-2				
Supply Current (E type)	I <sub>DD</sub>	V <sub>IN</sub> = V <sub>OUT(T)</sub> +1.0V, V <sub>CE</sub> = V <sub>SS</sub> When V <sub>OUT</sub> 0.95V, V <sub>IN</sub> = V <sub>CE</sub> = 2.0V	50	80	120	μA	2
Supply Current (F type)		V <sub>IN</sub> = V <sub>CE</sub> =V <sub>OUT(T)</sub> +1.0V When V <sub>OUT</sub> 0.95V, V <sub>IN</sub> = V <sub>CE</sub> = 2.0V	40	70	100		
Standby Current	I <sub>STBY</sub>	V <sub>IN</sub> = V <sub>OUT(T)</sub> +1.0V, V <sub>CE</sub> = V <sub>SS</sub> When V <sub>OUT</sub> 0.95V, V <sub>IN</sub> = 2.0V	-	0.01	0.10	μA	2
Line Regulation	ΔV <sub>OUT</sub>	V <sub>OUT(T)</sub> +1.0V V <sub>IN</sub> 10V	-	0.01	0.20	%V	1
	ΔV <sub>IN</sub> ·V <sub>OUT</sub>	I <sub>OUT</sub> = 30mA, V <sub>CE</sub> = V <sub>IN</sub> When V <sub>OUT</sub> 0.95V, 2.0V V <sub>IN</sub> 10V					
Input Voltage	V <sub>IN</sub>	-	2	-	10	V	-
Output Voltage Temperature Characteristics	ΔV <sub>OUT</sub> ΔT <sub>opr</sub> ·V <sub>OUT</sub>	I <sub>OUT</sub> = 30mA -40 T <sub>opr</sub> 85	-	100	-	ppm/	1
Output Noise	en	I <sub>OUT</sub> = 10mA 300Hz~50kHz	-	30	-	μVrms	3
Power Supply Rejection Ratio	PSRR	V <sub>IN</sub> = {V <sub>OUT(T)</sub> +1.0}V+1.0Vp-pAC When V <sub>OUT</sub> 1.5V, V <sub>IN</sub> =2.5V+1.0Vp-pAC I <sub>OUT</sub> = 50mA, f = 10kHz	-	65	-	dB	4
Current Limiter	I <sub>lim</sub>	V <sub>IN</sub> = V <sub>OUT(T)</sub> +2.0V, V <sub>CE</sub> = V <sub>IN</sub>	-	380	-	mA	1
Short-circuit Current	I <sub>short</sub>	V <sub>IN</sub> = V <sub>OUT(T)</sub> +2.0V, V <sub>CE</sub> = V <sub>IN</sub>	-	50	-	mA	1
CE "High" Voltage	V <sub>CEH</sub>	-	1.6	-	V <sub>IN</sub>	V	1
CE "Low" Voltage	V <sub>CEL</sub>	-	-	-	0.25		
CE "High" Current (E type)	I <sub>CEH</sub>	V <sub>IN</sub> = V <sub>CE</sub> = V <sub>OUT(T)</sub> +1.0V When V <sub>OUT</sub> 0.95V, V <sub>IN</sub> = V <sub>CE</sub> = 2.0V	3.2	-	20.0	μA	2
CE "High" Current (F type)		V <sub>IN</sub> = V <sub>CE</sub> = V <sub>OUT(T)</sub> +1.0V When V <sub>OUT</sub> 0.95V, V <sub>IN</sub> = V <sub>CE</sub> = 2.0V	-0.10	-	0.10		
CE "Low" Current	I <sub>CEL</sub>	V <sub>IN</sub> = V <sub>OUT(T)</sub> +1.0V, V <sub>CE</sub> = V <sub>SS</sub> When V <sub>OUT</sub> 0.95V, V <sub>IN</sub> = 2.0V	-0.10	-	0.10		

**NOTE:**

(\*1) Unless otherwise stated, V<sub>IN</sub>=V<sub>OUT(T)</sub>+1.0V

However, when V<sub>OUT</sub> 0.95V, V<sub>IN</sub>=2.0V

(\*2) V<sub>OUT(T)</sub>=Specified output voltage

(\*3) V<sub>OUT(E)</sub>=Effective output voltage (i.e. the output voltage when "V<sub>OUT (T)</sub>+1.0V" is provided at the V<sub>IN</sub> pin while maintaining a certain I<sub>OUT</sub> value).

(\*4) V<sub>dif</sub>=V<sub>IN1</sub>-V<sub>OUT1</sub>

V<sub>OUT1</sub>=A voltage equal to 98% of the output voltage whenever an amply stabilized I<sub>OUT</sub> {V<sub>OUT(T)</sub>+1.0V} is input.

V<sub>IN1</sub>=The input voltage when V<sub>OUT1</sub> appears as input voltage is gradually decreased.

(\*5) When V<sub>OUT(T)</sub> 1.45V, MIN. V<sub>OUT(T)</sub>-30mV, MAX. V<sub>OUT(T)</sub>+30mV

(\*6) Refer to "Specification & Condition by Series"

## ELECTRICAL CHARACTERISTICS (Continued)

XC6205G, H Type

PARAMETER	SYMBOL	CONDITIONS	Ta = 25			UNITS	CIRCUIT
			MIN.	TYP.	MAX.		
Output Voltage <sup>(*5)</sup>	V <sub>OUT(E)</sub>	I <sub>OUT</sub> = 30mA	× 0.98	V <sub>OUT(T)</sub>	× 1.02	V	1
Maximum Output Current <sup>(*6)</sup>	I <sub>OUTMAX</sub>	V <sub>IN</sub> = E-5	E-4	-	-	mA	1
Load Regulation	ΔV <sub>OUT</sub>	1mA I <sub>OUT</sub> 100mA	-	15	50	mV	1
Dropout Voltage	V <sub>dif1</sub>	I <sub>OUT</sub> = 30mA	E-1			mV	1
	V <sub>dif2</sub>	I <sub>OUT</sub> = 100mA	E-2				
Supply Current (G type)	I <sub>DD</sub>	V <sub>IN</sub> = V <sub>OUT(T)</sub> +1.0V, V <sub>CE</sub> = V <sub>SS</sub> When V <sub>OUT</sub> 0.95V, V <sub>IN</sub> = 2.0V	50	80	120	μA	2
Supply Current (H type)		V <sub>IN</sub> = V <sub>OUT(T)</sub> +1.0V, V <sub>CE</sub> = V <sub>SS</sub> When V <sub>OUT</sub> 0.95V, V <sub>IN</sub> = 2.0V	40	70	100		
Standby Current	I <sub>STBY</sub>	V <sub>IN</sub> = V <sub>CE</sub> = V <sub>OUT(T)</sub> +1.0V When V <sub>OUT</sub> 0.95V, V <sub>IN</sub> = V <sub>CE</sub> = 2.0V	-	0.01	0.10	μA	2
Line Regulation	ΔV <sub>OUT</sub>	V <sub>OUT(T)</sub> +1.0V V <sub>IN</sub> 10V	-	0.01	0.20	%V	1
	ΔV <sub>IN</sub> ·V <sub>OUT</sub>	I <sub>OUT</sub> = 30mA, V <sub>CE</sub> = V <sub>SS</sub> When V <sub>OUT</sub> 0.95V, 2.0V V <sub>IN</sub> 10V					
Input Voltage	V <sub>IN</sub>	-	2	-	10	V	-
Output Voltage Temperature Characteristics	ΔV <sub>OUT</sub> ΔT <sub>opr</sub> ·V <sub>OUT</sub>	I <sub>OUT</sub> = 30mA -40 T <sub>opr</sub> 85	-	100	-	ppm/	1
Output Noise	en	I <sub>OUT</sub> = 10mA 300Hz~50kHz	-	30	-	μVrms	3
Power Supply Rejection Ratio	PSRR	V <sub>IN</sub> = {V <sub>OUT(T)</sub> +1.0}V+1.0Vp-pAC When V <sub>OUT</sub> 1.5V, V <sub>IN</sub> =2.5V+1.0Vp-pAC I <sub>OUT</sub> = 50mA, f = 10kHz	-	65	-	dB	4
Current Limiter	I <sub>lim</sub>	V <sub>IN</sub> = V <sub>OUT(T)</sub> +2.0V, V <sub>CE</sub> = V <sub>SS</sub>	-	380	-	mA	1
Short-circuit Current	I <sub>short</sub>	V <sub>IN</sub> = V <sub>OUT(T)</sub> +2.0V, V <sub>CE</sub> = V <sub>SS</sub>	-	50	-	mA	1
CE "High" Voltage	V <sub>CEH</sub>	-	1.6	-	V <sub>IN</sub>	V	1
CE "Low" Voltage	V <sub>CEL</sub>	-	-	-	0.25		
CE "High" Current	I <sub>CEH</sub>	V <sub>IN</sub> = V <sub>CE</sub> = V <sub>OUT(T)</sub> +1.0V When V <sub>OUT</sub> 0.95V, V <sub>IN</sub> = V <sub>CE</sub> = 2.0V	-0.10	-	0.10	μA	2
CE "Low" Current (G type)	I <sub>CEL</sub>	V <sub>IN</sub> = V <sub>OUT(T)</sub> +1.0V, V <sub>CE</sub> = V <sub>SS</sub> When V <sub>OUT</sub> 0.95V, V <sub>IN</sub> = 2.0V	-20.0	-	-3.2		
CE "Low" Current (H type)		V <sub>IN</sub> = V <sub>OUT(T)</sub> +1.0V, V <sub>CE</sub> = V <sub>SS</sub> When V <sub>OUT</sub> 0.95V, V <sub>IN</sub> = 2.0V	-0.10	-	0.10		

NOTE:

(\*1) Unless otherwise stated, V<sub>IN</sub>=V<sub>OUT(T)</sub>+1.0V

However, when V<sub>OUT</sub> 0.95V, V<sub>IN</sub>=2.0V

(\*2) V<sub>OUT(T)</sub>=Specified output voltage

(\*3) V<sub>OUT(E)</sub>=Effective output voltage (i.e. the output voltage when "V<sub>OUT (T)</sub>+1.0V" is provided at the V<sub>IN</sub> pin while maintaining a certain I<sub>OUT</sub> value).

(\*4) V<sub>dif</sub>=V<sub>IN1</sub>-V<sub>OUT1</sub>

V<sub>OUT1</sub>=A voltage equal to 98% of the output voltage whenever an amply stabilized I<sub>OUT</sub> {V<sub>OUT(T)</sub>+1.0V} is input.

V<sub>IN1</sub>=The input voltage when V<sub>OUT1</sub> appears as input voltage is gradually decreased.

(\*5) When V<sub>OUT(T)</sub> 1.45V, MIN. V<sub>OUT(T)</sub>-30mV, MAX. V<sub>OUT(T)</sub>+30mV

(\*6) Refer to "Specification & Condition by Series"

## ELECTRICAL CHARACTERISTICS (Continued)

### Voltage Chart

XC6204 series Note: For the XC6204E, F, G, H type, see the item "Ta=25" only.

SYMBOL PARAMETER SETTING OUTPUT VOLTAGE (V)	E-0		E-1				E-2			
	OUTPUT VOLTAGE (V) (2% products)		DROPOUT VOLTAGE 1 (mV) I <sub>OUT</sub> =30mA				DROPOUT VOLTAGE 2 (mV) I <sub>OUT</sub> =100mA			
	V <sub>OUT</sub>		V <sub>dif</sub> 1				V <sub>dif</sub> 2			
			Ta = 25		-40	Topr	85	Ta = 25		-40
V <sub>OUT</sub> (T)	MIN.	MAX.	TYP.	MAX.	TYP.	MAX.	TYP.	MAX.	TYP.	MAX.
1.80	1.764	1.836	200	210	210	230	300	400	340	480
1.85	1.813	1.887	200	210	210	230	300	400	340	480
1.90	1.862	1.938	120	150	130	170	280	380	320	460
1.95	1.911	1.989	120	150	130	170	280	380	320	460
2.00	1.960	2.040	80	120	90	140	240	350	280	430
2.05	2.009	2.091	80	120	90	140	240	350	280	430
2.10	2.058	2.142	80	120	90	140	240	330	280	410
2.15	2.107	2.193	80	120	90	140	240	330	280	410
2.20	2.156	2.244	80	120	90	140	240	330	280	410
2.25	2.205	2.295	80	120	90	140	240	330	280	410
2.30	2.254	2.346	80	120	90	140	240	310	280	390
2.35	2.303	2.397	80	120	90	140	240	310	280	390
2.40	2.352	2.448	80	120	90	140	240	310	280	390
2.45	2.401	2.499	80	120	90	140	240	310	280	390
2.50	2.450	2.550	70	100	80	120	220	290	260	370
2.55	2.499	2.601	70	100	80	120	220	290	260	370
2.60	2.548	2.652	70	100	80	120	220	290	260	370
2.65	2.597	2.703	70	100	80	120	220	290	260	370
2.70	2.646	2.754	70	100	80	120	220	290	260	370
2.75	2.695	2.805	70	100	80	120	220	290	260	370
2.80	2.744	2.856	70	100	80	120	220	270	260	350
2.85	2.793	2.907	70	100	80	120	220	270	260	350
2.90	2.842	2.958	70	100	80	120	220	270	260	350
2.95	2.891	3.009	70	100	80	120	220	270	260	350
3.00	2.940	3.060	60	90	70	110	200	270	240	350
3.05	2.989	3.111	60	90	70	110	200	270	240	350
3.10	3.038	3.162	60	90	70	110	200	250	240	330
3.15	3.087	3.213	60	90	70	110	200	250	240	330
3.20	3.136	3.264	60	90	70	110	200	250	240	330
3.25	3.185	3.315	60	90	70	110	200	250	240	330
3.30	3.234	3.366	60	90	70	110	200	250	240	330
3.35	3.283	3.417	60	90	70	110	200	250	240	330
3.40	3.332	3.468	60	90	70	110	200	250	240	330
3.45	3.381	3.519	60	90	70	110	200	250	240	330
3.50	3.430	3.570	60	90	70	110	200	250	240	330
3.55	3.479	3.621	60	90	70	110	200	250	240	330
3.60	3.528	3.672	60	90	70	110	200	250	240	330
3.65	3.577	3.723	60	90	70	110	200	250	240	330
3.70	3.626	3.774	60	90	70	110	200	250	240	330
3.75	3.675	3.825	60	90	70	110	200	250	240	330
3.80	3.724	3.876	60	90	70	110	200	250	240	330
3.85	3.773	3.927	60	90	70	110	200	250	240	330
3.90	3.822	3.978	60	90	70	110	200	250	240	330
3.95	3.871	4.029	60	90	70	110	200	250	240	330

## ELECTRICAL CHARACTERISTICS (Continued)

Voltage Chart (Continued)

XC6204 series (Continued) Note: For the XC6204E, F, G, H type, see the item "Ta=25" only.

SYMBOL PARAMETER SETTING OUTPUT VOLTAGE (V)	E-0		E-1				E-2			
	OUTPUT VOLTAGE (V) (2% products)		DROPOUT VOLTAGE 1 (mV) I <sub>OUT</sub> =30mA				DROPOUT VOLTAGE 2 (mV) I <sub>OUT</sub> =100mA			
	V <sub>OUT</sub>		V <sub>dif</sub> 1				V <sub>dif</sub> 2			
			Ta = 25		-40	Topr	85	Ta = 25		-40
V <sub>OUT(T)</sub>	MIN.	MAX.	TYP.	MAX.	TYP.	MAX.	TYP.	MAX.	TYP.	MAX.
4.00	3.920	4.080	60	80	70	100	180	230	220	310
4.05	3.969	4.131	60	80	70	100	180	230	220	310
4.10	4.018	4.182	60	80	70	100	180	230	220	310
4.15	4.067	4.233	60	80	70	100	180	230	220	310
4.20	4.116	4.284	60	80	70	100	180	230	220	310
4.25	4.165	4.335	60	80	70	100	180	230	220	310
4.30	4.214	4.386	60	80	70	100	180	230	220	310
4.35	4.263	4.437	60	80	70	100	180	230	220	310
4.40	4.312	4.488	60	80	70	100	180	230	220	310
4.45	4.361	4.539	60	80	70	100	180	230	220	310
4.50	4.410	4.590	60	80	70	100	180	230	220	310
4.55	4.459	4.641	60	80	70	100	180	230	220	310
4.60	4.508	4.692	60	80	70	100	180	230	220	310
4.65	4.557	4.743	60	80	70	100	180	230	220	310
4.70	4.606	4.794	60	80	70	100	180	230	220	310
4.75	4.655	4.845	60	80	70	100	180	230	220	310
4.80	4.704	4.896	60	80	70	100	180	230	220	310
4.85	4.753	4.947	60	80	70	100	180	230	220	310
4.90	4.802	4.998	60	80	70	100	180	230	220	310
4.95	4.851	5.049	60	80	70	100	180	230	220	310
5.00	4.900	5.100	50	70	60	90	160	210	200	290
5.05	4.949	5.151	50	70	60	90	160	210	200	290
5.10	4.998	5.202	50	70	60	90	160	210	200	290
5.15	5.047	5.253	50	70	60	90	160	210	200	290
5.20	5.096	5.304	50	70	60	90	160	210	200	290
5.25	5.145	5.355	50	70	60	90	160	210	200	290
5.30	5.194	5.406	50	70	60	90	160	210	200	290
5.35	5.243	5.457	50	70	60	90	160	210	200	290
5.40	5.292	5.508	50	70	60	90	160	210	200	290
5.45	5.341	5.559	50	70	60	90	160	210	200	290
5.50	5.390	5.610	50	70	60	90	160	210	200	290
5.55	5.439	5.661	50	70	60	90	160	210	200	290
5.60	5.488	5.712	50	70	60	90	160	210	200	290
5.65	5.537	5.763	50	70	60	90	160	210	200	290
5.70	5.586	5.814	50	70	60	90	160	210	200	290
5.75	5.635	5.865	50	70	60	90	160	210	200	290
5.80	5.684	5.916	50	70	60	90	160	210	200	290
5.85	5.733	5.967	50	70	60	90	160	210	200	290
5.90	5.782	6.018	50	70	60	90	160	210	200	290
5.95	5.831	6.069	50	70	60	90	160	210	200	290
6.00	5.880	6.120	50	70	60	90	160	210	200	290

## ELECTRICAL CHARACTERISTICS (Continued)

Voltage Chart (Continued)

XC6204 series, 1% products

Note:  $\pm 1\%$  output voltage accuracy products are available for the XC6204E~H type from  $V_{OUT}=2.95V$ .

SYMBOL	E-0	
PARAMETER	OUTPUT VOLTAGE (V)	
SETTING OUTPUT VOLTAGE (V)	(1% products)	
$V_{OUT(T)}$	V <sub>OUT</sub>	
	MIN.	MAX.
2.95	2.921	2.980
3.00	2.970	3.030
3.05	3.020	3.081
3.10	3.069	3.131
3.15	3.119	3.182
3.20	3.168	3.232
3.25	3.218	3.283
3.30	3.267	3.333
3.35	3.317	3.384
3.40	3.366	3.434
3.45	3.416	3.485
3.50	3.465	3.535
3.55	3.515	3.586
3.60	3.564	3.636
3.65	3.614	3.687
3.70	3.663	3.737
3.75	3.713	3.788
3.80	3.762	3.838
3.85	3.812	3.889
3.90	3.861	3.939
3.95	3.911	3.990
4.00	3.960	4.040
4.05	4.010	4.091
4.10	4.059	4.141
4.15	4.109	4.192
4.20	4.158	4.242
4.25	4.208	4.293
4.30	4.257	4.343
4.35	4.307	4.394
4.40	4.356	4.444
4.45	4.405	4.494
4.50	4.455	4.545

SYMBOL	E-0	
PARAMETER	OUTPUT VOLTAGE (V)	
SETTING OUTPUT VOLTAGE (V)	(1% products)	
$V_{OUT(T)}$	V <sub>OUT</sub>	
	MIN.	MAX.
4.55	4.505	4.596
4.60	4.554	4.646
4.65	4.604	4.697
4.70	4.653	4.747
4.75	4.703	4.798
4.80	4.752	4.848
4.85	4.802	4.899
4.90	4.851	4.949
4.95	4.901	5.000
5.00	4.950	5.050
5.05	5.000	5.101
5.10	5.049	5.151
5.15	5.099	5.202
5.20	5.148	5.252
5.25	5.198	5.303
5.30	5.247	5.353
5.35	5.297	5.404
5.40	5.346	5.454
5.45	5.396	5.505
5.50	5.445	5.555
5.55	5.495	5.606
5.60	5.544	5.656
5.65	5.594	5.707
5.70	5.643	5.757
5.75	5.693	5.808
5.80	5.742	5.858
5.85	5.792	5.909
5.90	5.841	5.959
5.95	5.891	6.010
6.00	5.940	6.060

## ELECTRICAL CHARACTERISTICS (Continued)

Voltage Chart (Continued)

XC6205 series

SYMBOL PARAMETER SETTING OUTPUT VOLTAGE (V)	E-0		E-1		E-2	
	OUTPUT VOLTAGE (V)		DROPOUT VOLTAGE1 (mV) I <sub>OUT</sub> =30mA		DROPOUT VOLTAGE 2 (mV) I <sub>OUT</sub> =100mA	
V <sub>OUT</sub> (T)	V <sub>OUT</sub>		T <sub>a</sub> = 25			
			Vdif 1		Vdif 2	
	MIN.	MAX.	TYP.	MAX.	TYP.	MAX.
0.90	0.870	0.930	1050	1100	1150	1200
0.95	0.920	0.980	1050	1100	1150	1200
1.00	0.970	1.030	1000	1100	1050	1200
1.05	1.020	1.080	1000	1100	1050	1200
1.10	1.070	1.130	900	1000	950	1100
1.15	1.120	1.180	900	1000	950	1100
1.20	1.170	1.230	800	900	850	1000
1.25	1.220	1.280	800	900	850	1000
1.30	1.270	1.330	700	800	750	900
1.35	1.320	1.380	700	800	750	900
1.40	1.370	1.430	600	700	650	800
1.45	1.420	1.480	600	700	650	800
1.50	1.470	1.530	500	600	550	700
1.55	1.519	1.581	500	600	550	700
1.60	1.568	1.632	400	500	500	600
1.65	1.617	1.683	400	500	500	600
1.70	1.666	1.734	300	400	400	500
1.75	1.715	1.785	300	400	400	500

### Specification Chart by Series

SYMBOL PRODUCT SERIES	S-1		S-2	S-3
	SUPPLY CURRENT (μA)		CE "H" CURRENT (μA)	CE "L" CURRENT (μA)
	MIN.	MAX.		
XC6205A	52.0	115.0	18.0	-0.1
XC6205B	42.0	95.0	0.1	-0.1
XC6205C	52.0	115.0	0.1	-18.0
XC6205D	42.0	95.0	0.1	-0.1

### Specification & Condition by Series

SYMBOL SPECIFIED OUTPUT VOLTAGE (V)	E-5	E-4
	INPUT VOLTAGE (V) V <sub>IN</sub>	MAXIMUM OUTPUT CURRENT (mA) MIN.
0.90 ~ 0.95	2.5	260
1.00 ~ 1.05	2.5	260
1.10 ~ 1.15	2.6	270
1.20 ~ 1.25	2.7	290
1.30 ~ 1.35	2.8	300
1.40 ~ 1.45	2.9	
1.50 ~ 1.75	3.0	

\* V<sub>OUT(T)</sub>=Specified output voltage

## TYPICAL APPLICATION CIRCUIT



## OPERATIONAL EXPLANATION



Output voltage control with the XC6204/6205 series:

The voltage divided by resistors R1 & R2 is compared with the internal reference voltage by the error amplifier.

The P-channel MOSFET, which is connected to the VOUT pin, is then driven by the subsequent output signal. The output voltage at the VOUT pin is controlled & stabilized by a system of negative feedback.

The current limit circuit and short protect circuit operate in relation to the level of output current. Further, the IC's internal circuitry can be shutdown via the CE pin's signal.

### < Low ESR Capacitors >

With the XC6204/05 series, a stable output voltage is achievable even if used with a low ESR capacitor as a phase compensation circuit is built-in. In order to ensure the effectiveness of the phase compensation, we suggest that an output capacitor (CL) is connected as close as possible to the output pin (VOUT) and the VSS pin. Please use an output capacitor with a capacitance value of at least 1 μ F. Also, please connect an input capacitor (CIN) of 0.1 μ F between the VIN pin and the VSS pin in order to ensure a stable power input.



Recommended output capacitor values

VOUT	0.9V ~ 1.2V	1.25V ~ 1.75V
CL	4.7 μ F	2.2 μ F

### <Current Limiter, Short-Circuit Protection>

The XC6204/05 series includes a combination of a fixed current limiter circuit & a foldback circuit, which aid the operations of the current limiter and circuit protection. When the load current reaches the current limit level, the fixed current limiter circuit operates and output voltage drops. As a result of this drop in output voltage, the foldback circuit operates, output voltage drops further and output current decreases. When the output pin is shorted, a current of about 50mA flows. However, when the input/output voltage differential is quite small, this current will be about 200mA.

## OPERATIONAL EXPLANATION (Continued)

### <CE Pin>

The IC's internal circuitry can be shutdown via the signal from the CE pin with the XC6204/05 series. In shutdown mode, output at the V<sub>OUT</sub> pin will be pulled down to the V<sub>SS</sub> level via R1 & R2. The operational logic of the IC's CE pin is selectable (please refer to the selection guide). Note that as the standard XC6204/05B type is 'High Active/No Pull Down', operations will become unstable with the CE pin open. Although the CE pin is equal to an inverter input with CMOS hysteresis, with either the pull-up or pull-down options, the CE pin input current will increase when the IC is in operation.

We suggest that you use this IC with either a V<sub>IN</sub> voltage or a V<sub>SS</sub> voltage input at the CE pin. If this IC is used with the correct specifications for the CE pin, the operational logic is fixed and the IC will operate normally. However, supply current may increase as a result of through current in the IC's internal circuitry if a voltage between 0.25V and 1.5V is input.

### <Minimum Operating Voltage>

In order to stabilize the IC's operations, an input voltage of more than 2.0V is needed. Should the input voltage be less than 2.0V, the output voltage may not be regulated correctly. (Please refer to Input Voltage vs. Output Voltage characteristics below.)

When V<sub>IN</sub> is less than 2.0V, the CE pin remains in stand-by mode.

When V<sub>IN</sub> rises above 2.0V, the power supply will turn ON.

The input power supply will begin to rise after a few hundred msec.

(Please also refer to the transient response characteristics.)

### Input Voltage vs. Output Voltage



### Enable Response Time



### Turn-ON Response Time



## NOTES ON USE

1. Please use this IC within the stated maximum ratings. For temporary, transitional voltage drop or voltage rising phenomenon, the IC is liable to malfunction should the ratings be exceeded.
2. Where wiring impedance is high, operations may become unstable due to noise and/or phase lag depending on output current. Please strengthen V<sub>IN</sub> and V<sub>SS</sub> wiring in particular.
3. Please wire the input capacitor (C<sub>IN</sub>) and the output capacitor (C<sub>L</sub>) as close to the IC as possible.
4. Torex places an importance on improving our products and their reliability.  
We request that users incorporate fail-safe designs and post-aging protection treatment when using Torex products in their systems.

## TEST CIRCUITS

Circuit 1



Circuit 2



Circuit 3



Circuit 4



\*TEST CIRCUIT  $V_{CE}$ (CE Pin Voltage)

ACTIVE

XC6204/XC6205A, B, E, F Type . . . . .  $V_{CE} = V_{IN}$

XC6204/05C, D, G, H Type . . . . .  $V_{CE} = V_{SS}$

STANDBY

XC6204/05A, B, E, F Type . . . . .  $V_{CE} = V_{SS}$

XC6204/05C, D, G, H Type . . . . .  $V_{CE} = V_{IN}$

# TYPICAL PERFORMANCE CHARACTERISTICS

XC6204

(1) Output Voltage vs. Output Current



## TYPICAL PERFORMANCE CHARACTERISTICS (Continued)

XC6204 (Continued)

(1) Output Voltage vs. Output Current (Continued)



(2) Output Voltage vs. Input Voltage



## TYPICAL PERFORMANCE CHARACTERISTICS (Continued)

XC6204 (Continued)

(2) Output Voltage vs. Input Voltage (Continued)



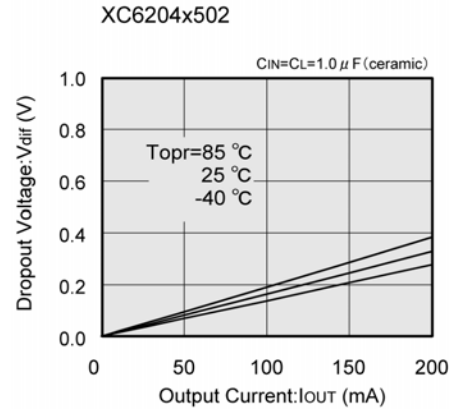
(3) Dropout Voltage vs. Output Current



## TYPICAL PERFORMANCE CHARACTERISTICS (Continued)

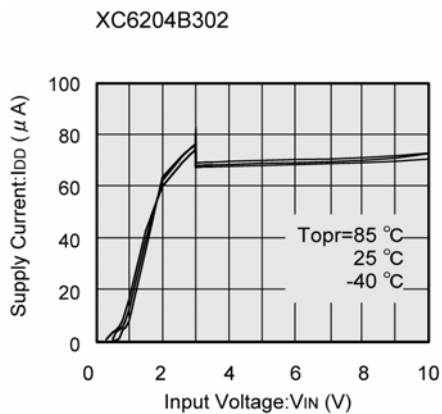
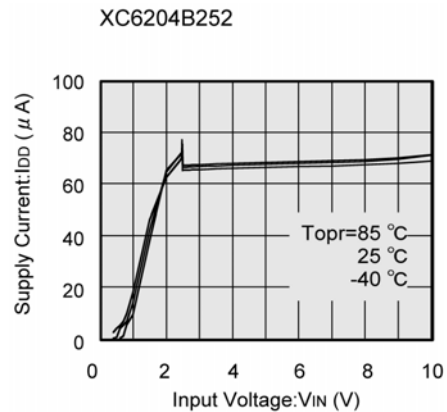
XC6204 (Continued)

### (3) Dropout Voltage vs. Output Current (Continued)



\* Since the operation of this IC is only guaranteed from  $V_{IN}=2.0\text{V}$  and above, it is essential that when using with applications where  $V_{OUT}=2.0\text{V}$  or less, the difference between  $V_{IN}$  and  $V_{OUT}$  be at least equal to  $2\text{V} - V_{OUT(T)}$ .

### (4) Supply Current vs. Input Voltage



## TYPICAL PERFORMANCE CHARACTERISTICS (Continued)

XC6204 (Continued)

### (5) Output Voltage vs. Ambient Temperature



### (6) Supply Current vs. Ambient Temperature



## TYPICAL PERFORMANCE CHARACTERISTICS (Continued)

XC6204 (Continued)

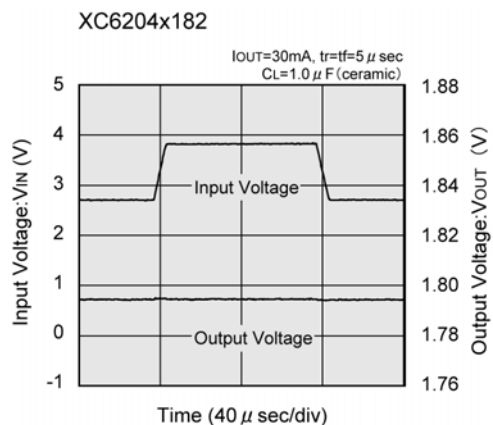
(6) Supply Current vs. Ambient Temperature (Continued)



(7) CE Pin Threshold Voltage vs. Ambient Temperature



(8) Input Transient Response



## TYPICAL PERFORMANCE CHARACTERISTICS (Continued)

XC6204 (Continued)

(8) Input Transient Response (Continued)



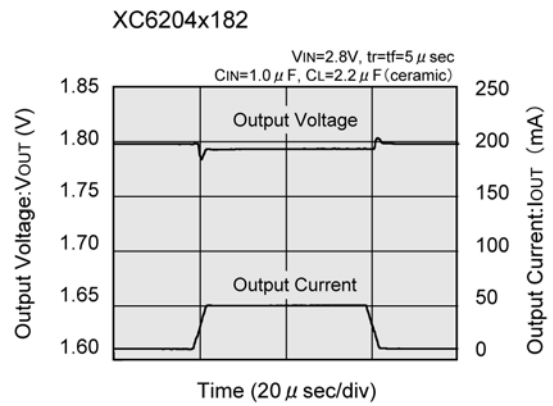
## TYPICAL PERFORMANCE CHARACTERISTICS (Continued)

XC6204 (Continued)

### (8) Input Transient Response (Continued)



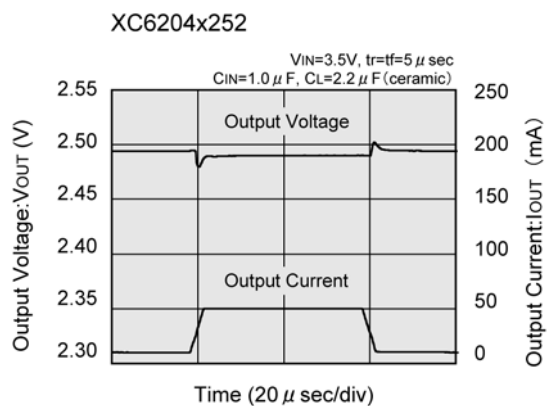
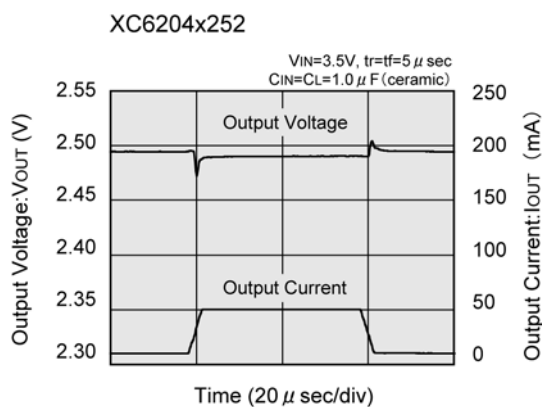
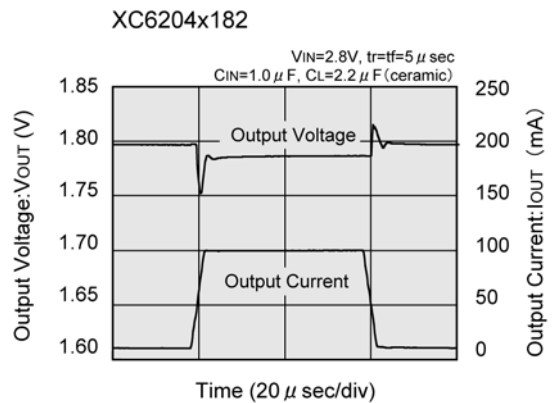
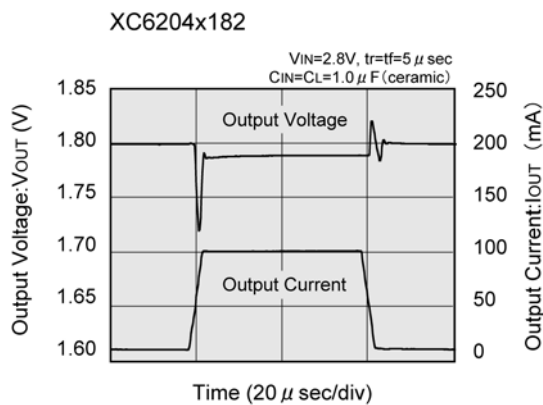
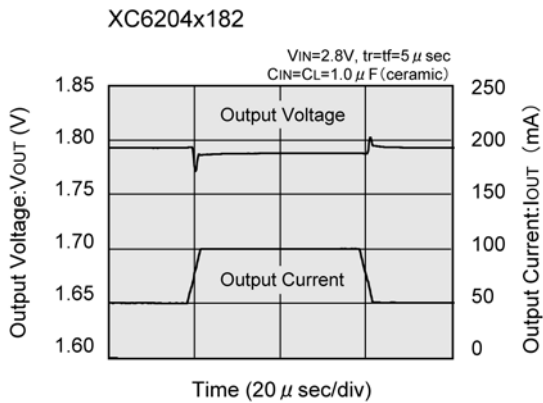
### (9) Load Transient Response



## TYPICAL PERFORMANCE CHARACTERISTICS (Continued)

XC6204 (Continued)

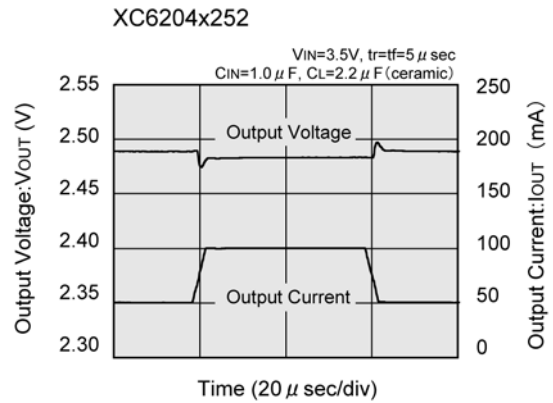
(9) Load Transient Response (Continued)



## TYPICAL PERFORMANCE CHARACTERISTICS (Continued)

XC6204 (Continued)

(9) Load Transient Response (Continued)



## TYPICAL PERFORMANCE CHARACTERISTICS (Continued)

XC6204 (Continued)

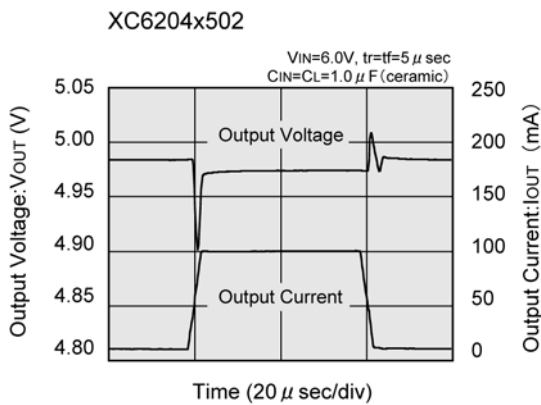
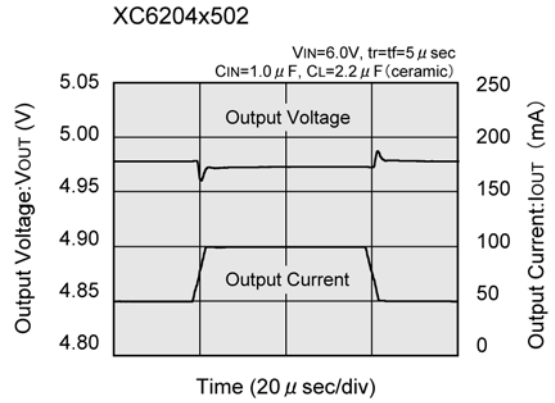
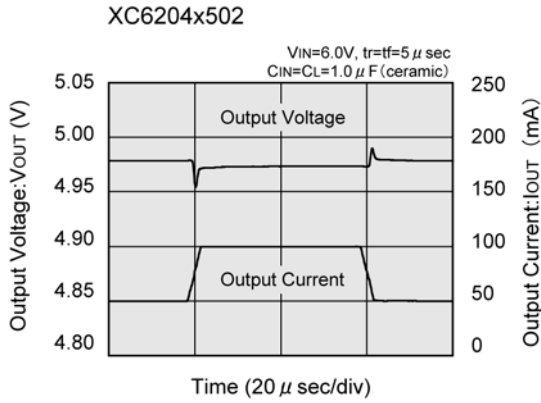
(9) Load Transient Response (Continued)



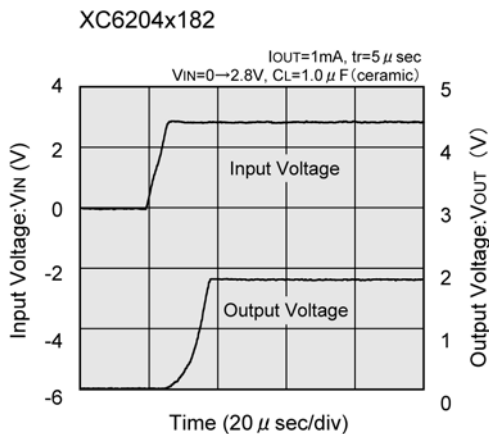
## TYPICAL PERFORMANCE CHARACTERISTICS (Continued)

XC6204 (Continued)

(9) Load Transient Response (Continued)



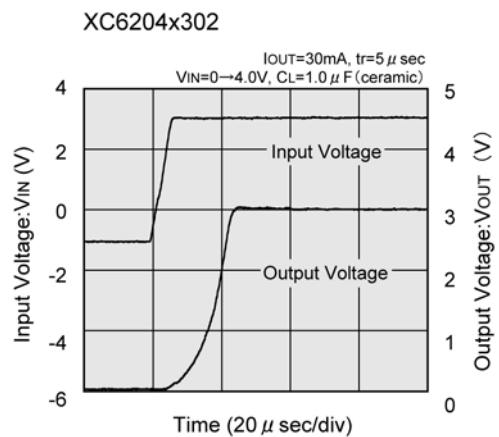
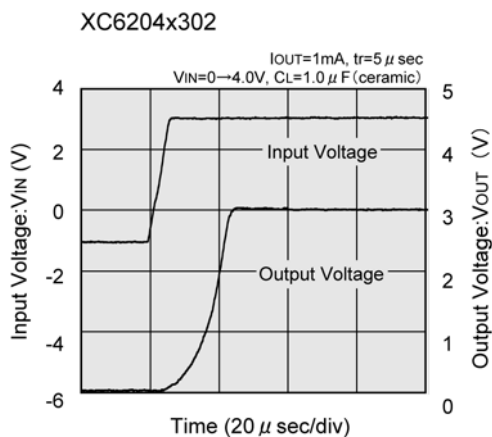
(10) Turn-On Response Time



## TYPICAL PERFORMANCE CHARACTERISTICS (Continued)

XC6204 (Continued)

(10) Turn-On Response Time



## TYPICAL PERFORMANCE CHARACTERISTICS (Continued)

XC6204 (Continued)

(10) Turn-On Response Time (Continued)



(11) Enable Response Time

(These characteristics will not be affected by the nature of the CE pin's logic)



## TYPICAL PERFORMANCE CHARACTERISTICS (Continued)

XC6204 (Continued)

### (11) Enable Response Time (Continued)

(These characteristics will not be affected by the nature of the CE pin's logic)

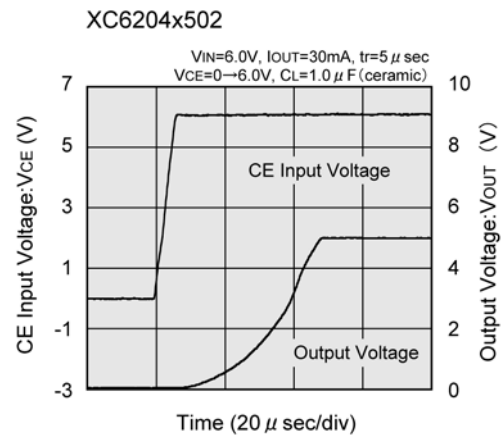


## TYPICAL PERFORMANCE CHARACTERISTICS (Continued)

XC6204 (Continued)

### (11) Enable Response Time (Continued)

(These characteristics will not be affected by the nature of the CE pin's logic)



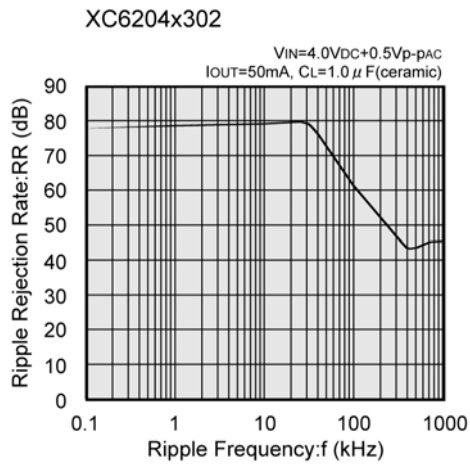
### (12) Ripple Rejection Rate



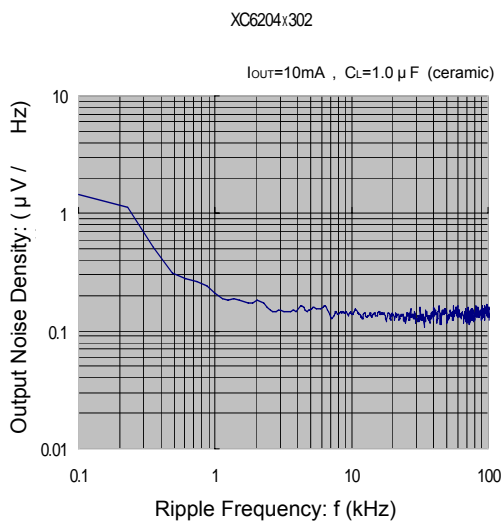
## TYPICAL PERFORMANCE CHARACTERISTICS (Continued)

XC6204 (Continued)

(12) Ripple Rejection Rate (Continued)



(13) Output Noise Density



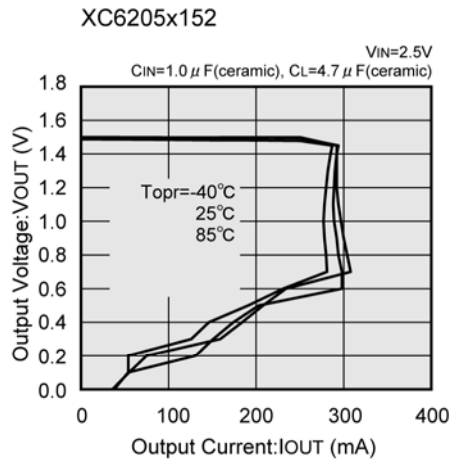
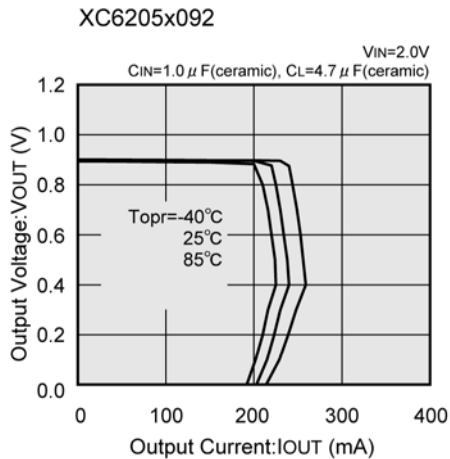
## TYPICAL PERFORMANCE CHARACTERISTICS (Continued)

XC6205

(1) Output Voltage vs. Output Current



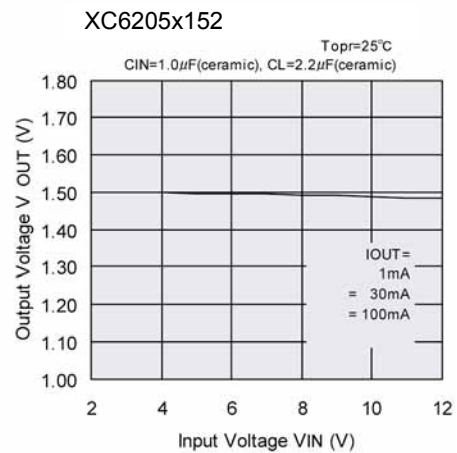
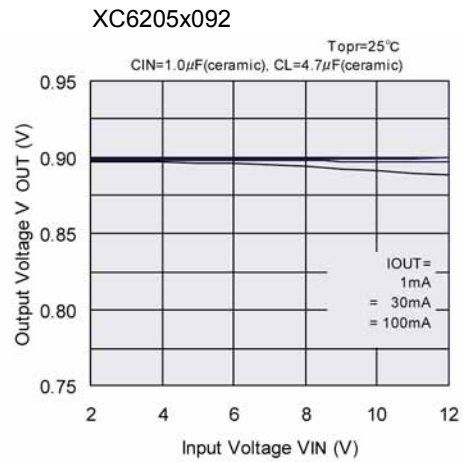
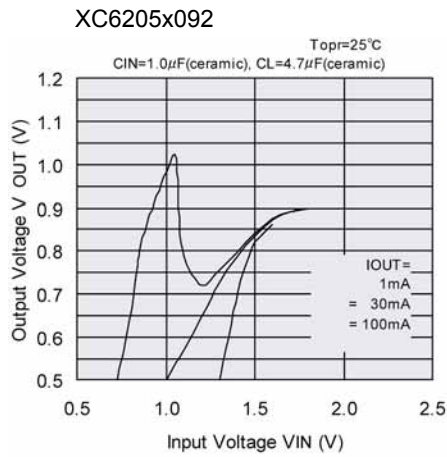
(2) Output Voltage vs. Output Current (Current Limit)



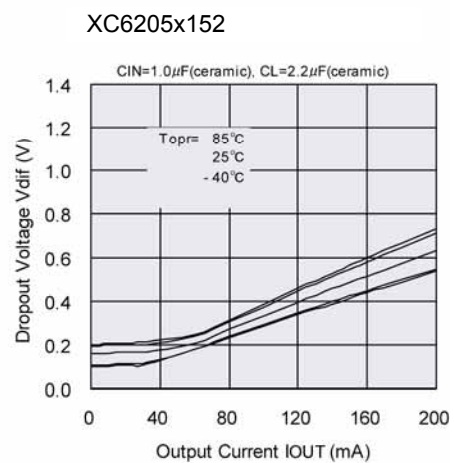
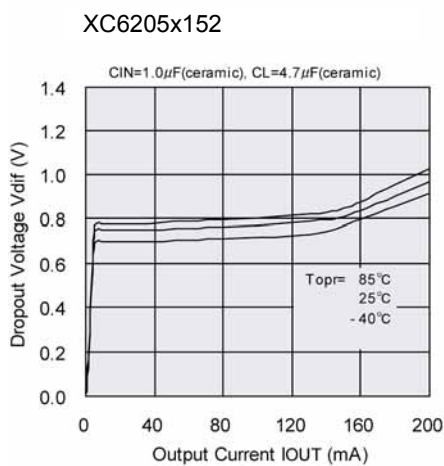
## TYPICAL PERFORMANCE CHARACTERISTICS (Continued)

XC6205 (Continued)

### (3) Output Voltage vs. Input Voltage



### (4) Dropout Voltage VS. Output Current



## TYPICAL PERFORMANCE CHARACTERISTICS (Continued)

XC6205 (Continued)

### (5) Supply Current vs. Input Voltage

XC6205x092



XC6205x092



XC6205x152



XC6205x152



### (6) Output Voltage vs. Ambient Temperature

XC6205x092



XC6205x152



## TYPICAL PERFORMANCE CHARACTERISTICS (Continued)

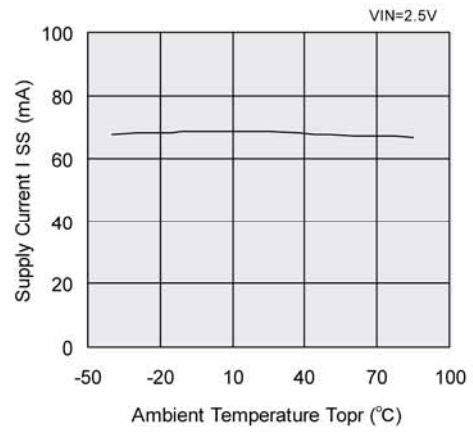
XC6205 (Continued)

### (7) Supply Current vs. Ambient Temperature

XC6205x092



XC6205x152



### (8) CE Pin Threshold Voltage vs. Ambient Temperature

XC6205xxx2

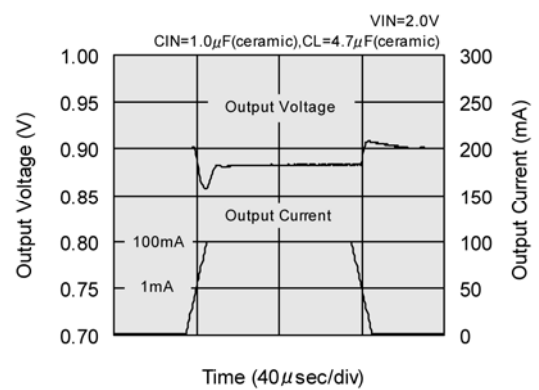


### (9) Load Transient Response

XC6205x092



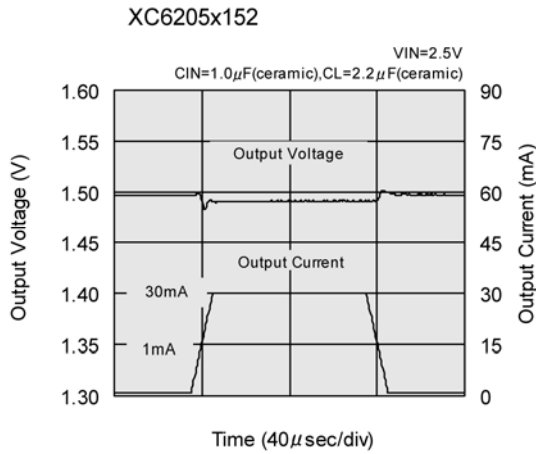
XC6205x092



## TYPICAL PERFORMANCE CHARACTERISTICS (Continued)

XC6205 (Continued)

### (9) Load Transient Response (Continued)



### (10) Input Transient Response 1



### (11) Input Transient Response 2



## TYPICAL PERFORMANCE CHARACTERISTICS (Continued)

XC6205 (Continued)

(11) Input Transient Response 2 (Continued)

XC6205x152



XC6205x152



(12) Enable Response Time

XC6205B092



XC6205x152



(13) Ripple Rejection Rate

XC6205x092



XC6205x152



## SOT-25 Power Dissipation

Power dissipation data for the SOT-25 is shown in this page.  
 The value of power dissipation varies with the mount board conditions.  
 Please use this data as the reference data taken in the following condition.

### 1. Measurement Condition

Condition:	Mount on a board
Ambient:	Natural convection
Soldering:	Lead (Pb) free
Board Dimensions:	40 x 40 mm (1600 mm <sup>2</sup> in one side)
Metal Area :	Copper (Cu) traces occupy 50% of the board area in top and back faces. Package heat-sink is tied to the copper traces
Material:	Glass Epoxy (FR-4)
Thickness:	1.6 mm
Through-hole:	4 x 0.8 Diameter



### 2. Power Dissipation vs. Ambient temperature ( 85°C )

Board Mount ( T<sub>jmax</sub>=125 )

Ambient Temperature ( )	Power Dissipation Pd (mW)	Thermal Resistance ( /W)
25	600	166.67
85	240	



**SOT-89-5 Power Dissipation**

Power dissipation data for the SOT-89-5 is shown in this page.  
The value of power dissipation varies with the mount board conditions.  
Please use this data as the reference data taken in the following condition.

**1. Measurement Condition**

- Condition: Mount on a board
- Ambient: Natural convection
- Soldering: Lead (Pb) free
- Board Dimensions: 40 x 40 mm (1600 mm<sup>2</sup> in one side)
- Metal Area : Copper (Cu) traces occupy 50% of the board area in top and back faces.  
Package heat-sink is tied to the copper traces
- Material: Glass Epoxy (FR-4)
- Thickness: 1.6 mm
- Through-hole: 5 x 0.8 Diameter



Evaluation Board (Unit: mm)

**2. Power Dissipation vs. Ambient temperature ( 85°C )**

Board Mount ( Tjmax=125 )

Ambient Temperature ( )	Power Dissipation Pd (mW)	Thermal Resistance ( /W)
25	1300	76.92
85	520	



## USP-6B Power Dissipation

Power dissipation data for the USP-6B is shown in this page.  
The value of power dissipation varies with the mount board conditions.  
Please use this data as the reference data taken in the following condition.

### 1. Measurement Condition

Condition:	Mount on a board
Ambient:	Natural convection
Soldering:	Lead (Pb) free
Board Dimensions:	40 x 40 mm (1600 mm <sup>2</sup> in one side)
Metal Area:	Copper (Cu) traces occupy 50% of the board area in top and back faces. Package heat-sink is tied to the copper traces
Material:	Glass Epoxy (FR-4)
Thickness:	1.6 mm
Through-hole:	4 x 0.8 Diameter



Evaluation Board (Unit: mm)

### 2. Power Dissipation vs. Ambient temperature

Board Mount ( $T_j \text{ max} = 125 \text{ }^\circ\text{C}$ )

Ambient Temperature ( $^\circ\text{C}$ )	Power Dissipation Pd ( mW )	Thermal Resistance( $^\circ\text{C/W}$ )
25	1000	100.00
85	400	



# PACKAGING INFORMATION

SOT-25



SOT-89-5



USP-6B



## PACKAGING INFORMATION (Continued)

USP-6B Reference Pattern Layout



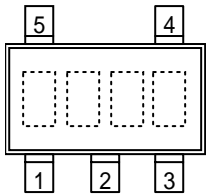
USP-6B Reference Metal Mask Design



## MARKING RULE

[XC6204]

SOT-25, SOT-89-5



SOT-25  
(TOP VIEW)



SOT-89-5  
(TOP VIEW)

represents product series

MARK	PRODUCT SERIES
4	XC6204xxxxxx

represents type of regulator

MARK				PRODUCT SERIES
OUTPUT VOLTAGE 100mV INCREMENTS		OUTPUT VOLTAGE 50mV INCREMENTS		
VOLTAGE =0.1~3.0V	VOLTAGE =3.1~6.0V	VOLTAGE =0.15 ~ 3.05V	VOLTAGE =3.15 ~ 6.05V	
V	A	E	L	XC6204Axxxxx
X	B	F	M	XC6204Bxxxxx
Y	C	H	N	XC6204Cxxxxx
Z	D	K	P	XC6204Dxxxxx
<u>V</u>	<u>A</u>	<u>E</u>	<u>L</u>	XC6204Exxxxx
<u>X</u>	<u>B</u>	<u>F</u>	<u>M</u>	XC6204Fxxxxx
<u>Y</u>	<u>C</u>	<u>H</u>	<u>N</u>	XC6204Gxxxxx
<u>Z</u>	<u>D</u>	<u>K</u>	<u>P</u>	XC6204Hxxxxx

represents output voltage

MARK	OUTPUT VOLTAGE (V)				MARK	OUTPUT VOLTAGE (V)			
0	-	3.1	-	3.15	F	1.6	4.6	1.65	4.65
1	-	3.2	-	3.25	H	1.7	4.7	1.75	4.75
2	-	3.3	-	3.35	K	1.8	4.8	1.85	4.85
3	-	3.4	-	3.45	L	1.9	4.9	1.95	4.95
4	-	3.5	-	3.55	M	2.0	5.0	2.05	5.05
5	-	3.6	-	3.65	N	2.1	5.1	2.15	5.15
6	-	3.7	-	3.75	P	2.2	5.2	2.25	5.25
7	-	3.8	-	3.85	R	2.3	5.3	2.35	5.35
8	-	3.9	-	3.95	S	2.4	5.4	2.45	5.45
9	-	4.0	-	4.05	T	2.5	5.5	2.55	5.55
A	-	4.1	-	4.15	U	2.6	5.6	2.65	5.65
B	-	4.2	-	4.25	V	2.7	5.7	2.75	5.75
C	-	4.3	-	4.35	X	2.8	5.8	2.85	5.85
D	-	4.4	-	4.45	Y	2.9	5.9	2.95	5.95
E	-	4.5	-	4.55	Z	3.0	6.0	3.05	6.05

represents production lot number

0 to 9, A to Z, reversed character of 0 to 9 and A to Z repeated. (G, I, J, O, Q, W excluded)

## MARKING RULE (Continued)

[XC6204]

USP-6B



USP-6B  
(TOP VIEW)

represents product series

MARK		PRODUCT SERIES
0	4	

represents type of regulator

MARK	TYPE	PRODUCT SERIES
A	CE pin: High Active, Pull-Down Resistor Built-In	XC6204AxxxDx
B	CE pin: High Active, No Pull-Down Resistor Built-In	XC6204BxxxDx
C	CE pin: High Active, Pull-Up Resistor Built-In	XC6204CxxxDx
D	CE pin: Low Active, No Pull-Up Resistor Built-In	XC6204DxxxDx
E	CE pin: High Active, Pull-Down Resistor Built-In	XC6204ExxxDx
F	CE pin: High Active, No Pull-Down Resistor Built-In	XC6204FxxxDx
Z	CE pin: Low Active, Pull-Up Resistor Built-In	XC6204GxxxDx
H	CE pin: Low Active, No Pull-Up Resistor Built-In	XC6204HxxxDx

represents integer of the output voltage

MARK	VOLTAGE ( V )	PRODUCT SERIES
3	3.X	XC6204x3xxDx
5	5.X	XC6204x5xxDx

represents decimal number of output voltage

MARK	VOLTAGE (V)	PRODUCT SERIES	MARK	VOLTAGE (V)	PRODUCT SERIES
0	X.0	XC6204xx0xDx	A	X.05	XC6204xx0ADx
1	X.1	XC6204xx1xDx	B	X.15	XC6204xx1ADx
2	X.2	XC6204xx2xDx	C	X.25	XC6204xx2ADx
3	X.3	XC6204xx3xDx	D	X.35	XC6204xx3ADx
4	X.4	XC6204xx4xDx	E	X.45	XC6204xx4ADx
5	X.5	XC6204xx5xDx	F	X.55	XC6204xx5ADx
6	X.6	XC6204xx6xDx	H	X.65	XC6204xx6ADx
7	X.7	XC6204xx7xDx	K	X.75	XC6204xx7ADx
8	X.8	XC6204xx8xDx	L	X.85	XC6204xx8ADx
9	X.9	XC6204xx9xDx	M	X.95	XC6204xx9ADx

represents production lot number

0 to 9, A to Z repeated. (G, I, J, O, Q, W excluded)

Note: No character inversion used.

## MARKING RULE (Continued)

[XC6205]

SOT-25, SOT-89-5



SOT-25  
(TOP VIEW)



SOT-89-5  
(TOP VIEW)

represents product series

MARK	PRODUCT SERIES
5	XC6205xxxxxx

represents type of regulator

MARK		PRODUCT SERIES
OUTPUT VOLTAGE 100mV INCREMENTS	OUTPUT VOLTAGE 50mV INCREMENTS	
V	E	XC6205Axxxxx
X	F	XC6205Bxxxxx
Y	H	XC6205Cxxxxx
Z	K	XC6205Dxxxxx
<u>V</u>	<u>E</u>	XC6205Exxxxx
<u>X</u>	<u>F</u>	XC6205Fxxxxx
<u>Y</u>	<u>H</u>	XC6205Gxxxxx
<u>Z</u>	<u>K</u>	XC6205Hxxxxx

represents output voltage

MARK	OUTPUT VOLTAGE (V)		MARK	OUTPUT VOLTAGE (V)	
8	0.9	0.95	D	1.4	1.45
9	1.0	1.05	E	1.5	1.55
A	1.1	1.15	F	1.6	1.65
B	1.2	1.25	H	1.7	1.75
C	1.3	1.35			

represents production lot number

0 to 9, A to Z, reversed character of 0 to 9 and A to Z repeated. (G, I, J, O, Q, W excluded)

## MARKING RULE(Continued)

[XC6205]

USP-6B



USP-6B  
(TOP VIEW)

represents product series

MARK		PRODUCT SERIES
0	5	XC6205xxxxDx

represents type of voltage regulator

MARK	TYPE	PRODUCT SERIES
A	CE pin: High Active with Pull-Down Resistor Built-In	XC6205AxxxDx
B	CE pin: High Active with No Pull-Down Resistor Built-In	XC6205BxxxDx
C	CE pin: Low Active with Pull-Up Resistor Built-In	XC6205CxxxDx
D	CE pin: Low Active with No Pull-Up Resistor Built-In	XC6205DxxxDx
E	CE pin: High Active with Pull-Down Resistor Built-In	XC6205ExxxDx
F	CE pin: High Active with No Pull-Down Resistor Built-In	XC6205FxxxDx
Z	CE pin: Low Active with Pull-Up Resistor Built-In	XC6205GxxxDx
H	CE pin: Low Active with No Pull-Up Resistor Built-In	XC6205HxxxDx

represents integer of output voltage

MARK	VOLTAGE (V)	PRODUCT SERIES
3	3.X	XC6205x3xxDx
5	5.X	XC6205x5xxDx

represents decimal point of output voltage

MARK	OUTPUT VOLTAGE (V)	MARK	OUTPUT VOLTAGE (V)
0	X.0	A	X.05
1	X.1	B	X.15
2	X.2	C	X.25
3	X.3	D	X.35
4	X.4	E	X.45
5	X.5	F	X.55
6	X.6	H	X.65
7	X.7	K	X.75
8	X.8	L	X.85
9	X.9	M	X.95

represents production lot number

0 to 9, A to Z repeated (G, I, J, O, Q, W excluded)

\*No character inversion used.

1. The products and product specifications contained herein are subject to change without notice to improve performance characteristics. Consult us, or our representatives before use, to confirm that the information in this data sheet is up to date.
2. We assume no responsibility for any infringement of patents, patent rights, or other rights arising from the use of any information and circuitry in this data sheet.
3. Please ensure suitable shipping controls (including fail-safe designs and aging protection) are in force for equipment employing products listed in this data sheet.
4. The products in this data sheet are not developed, designed, or approved for use with such equipment whose failure or malfunction can be reasonably expected to directly endanger the life of, or cause significant injury to, the user.  
(e.g. Atomic energy; aerospace; transport; combustion and associated safety equipment thereof.)
5. Please use the products listed in this data sheet within the specified ranges.  
Should you wish to use the products under conditions exceeding the specifications, please consult us or our representatives.
6. We assume no responsibility for damage or loss due to abnormal use.
7. All rights reserved. No part of this data sheet may be copied or reproduced without the prior permission of TOREX SEMICONDUCTOR LTD.

**TOREX SEMICONDUCTOR LTD.**

## Looking for pricing, stock, or lifecycle information?

Click below to explore more details on WIN SOURCE:

- ⊖ [View XC6205B09AMRN on WIN SOURCE](#)
- ⊖ [Torex Semiconductor Ltd Information](#)

## Optimize Your Supply Chain with WIN SOURCE Solutions

- ✓ Global Sourcing Solution
- ✓ Obsolete Management
- ✓ Cost Control Management
- ✓ Shortage Management
- ✓ Alternative Solution
- ✓ Excess Inventory Management