



**THE DATASHEET OF
XC6209A122MR-G**



High Speed LDO Regulators Low ESR Cap.Compatible,Output ON/OFFControl

■ GENERAL DESCRIPTION

The XC6209 series are highly precise, low noise, positive voltage LDO regulators manufactured using CMOS processes. The series achieves high ripple rejection and low dropout and consists of a voltage reference, an error amplifier, a current limiter and a phase compensation circuit plus a driver transistor.

Output voltage is selectable in 0.05V increments within a range of 0.9V ~ 6.0V.

The series is also compatible with low ESR ceramic capacitors which give added output stability. This stability can be maintained even during load fluctuations due to the excellent transient response of the series. The current limiter's foldback circuit also operates as a short protect for the output current limiter and the output pin.

The CE function enables the output to be turned off, resulting in greatly reduced power consumption.

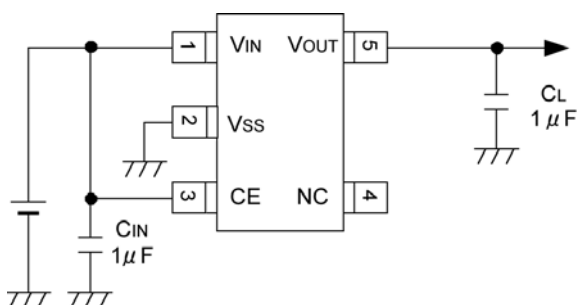
■ APPLICATIONS

- Smart phones / Mobile phones
- Portable game consoles
- Digital still cameras / Camcorders
- Digital audio equipments
- Reference voltage sources
- Multi-function power supplies

■ FEATURES

| | |
|--------------------------------------|--|
| Maximum Output Current | : 150mA (300mA=XC6209 E to H types) |
| Dropout Voltage | : 60mV @ 30mA : 200mV @ 100mA |
| Maximum Operating Voltage | : 2.0V ~ 10V |
| Output Voltage Range | : 0.9V ~ 6.0V(0.05V increments) |
| Highly Accurate | : $\pm 2\%$ ($V_{OUT} > 1.5V$) : $\pm 30mV$ ($V_{OUT} \leq 1.5V$) |
| Low Power Consumption | : 25 μA (TYP.) |
| Standby Current | : Less than 0.1 μA (TYP.) |
| High Ripple Rejection | : 70dB (10kHz) |
| Operating Ambient Temperature | : -40°C ~ +85°C |
| Low ESR Capacitor Compatible | : Ceramic capacitor |
| Packages | : SOT-25 USP-6B SOT-89-5 |
| Environmentally Friendly | : EU RoHS Compliant, Pb Free |

■ TYPICAL APPLICATION CIRCUIT



■ TYPICAL PERFORMANCE CHARACTERISTICS



PIN CONFIGURATION



*The dissipation pad for the USP-6B package should be solder-plated in recommended mount pattern and metal masking so as to enhance mounting strength and heat release. If the pad needs to be connected to other pins, it should be connected to the Vss pin.

PIN ASSIGNMENT

| PIN NUMBER | | | PIN NAME | FUNCTIONS |
|------------|----------|--------|----------|----------------|
| SOT-25 | SOT-89-5 | USP-6B | | |
| 1 | 4 | 1 | VIN | Input |
| 2 | 2 | 5 | VSS | Ground |
| 3 | 3 | 6 | CE | ON/OFF Control |
| 4 | 1 | 2,4 | NC | No Connection |
| 5 | 5 | 3 | VOUT | Output |

FUNCTIONS

| TYPE | CE | OPERATIONAL STATE |
|-----------------|----|-------------------|
| Type A, B, E, F | H | ON |
| | L | OFF |
| Type C, D, G, H | H | OFF |
| | L | ON |

H=High Level

L=Low Level

■ PRODUCT CLASSIFICATION

● Ordering Information

XC6209①②③④⑤⑥-⑦

| DESIGNATOR | ITEM | SYMBOL | DESCRIPTION |
|----------------------|-----------------------------------|--------|---|
| ① | Type of Regulator CE Pin Logic | A | 150mA, Active High, Pull-down resistor built-in ^{(*)2} (Semi-custom) |
| | | B | 150mA, Active High, No pull-down resistor (Standard) |
| | | C | 150mA, Active Low, Pull-up resistor built-in ^{(*)2} (Semi-custom) |
| | | D | 150mA, Active Low, No pull-up resistor (Semi-custom) |
| | | E | 300mA ^{(*)1} , Active High, Pull-down resistor built-in ^{(*)2} (Semi-custom) |
| | | F | 300mA ^{(*)1} , Active High, No pull-down resistor (Standard) |
| | | G | 300mA ^{(*)1} , Active Low, Pull-up resistor built-in ^{(*)2} (Semi-custom) |
| | | H | 300mA ^{(*)1} , Active Low, No pull-up resistor (Semi-custom) |
| ②③ | Output Voltage | 09~60 | Output Voltage Range: 0.9V~6.0V e.g.: 3.0V⇒②=3, ③=0 |
| | | 30~60 | For 1% product, output voltage range is 3.0V~6.0V. |
| ④ | Output Voltage Accuracy | 2 | 0.1V increments, Accuracy: ±2% ^{(*)3} e.g.: 2.80V⇒②=2, ③=8, ④=2 |
| | | 1 | 0.1V increments, Accuracy: ±1% e.g.: 3.00V⇒②=3, ③=0, ④=1 |
| | | A | 0.05V increments, Accuracy: ±2% ^{(*)3} e.g.: 2.85V⇒②=2, ③=8, ④=A |
| | | B | 0.05V increments, Accuracy: ±1% e.g.: 3.05V⇒②=3, ③=0, ④=B |
| ⑤⑥-⑦ ^{(*)4} | Packages (Order Unit) | MR | SOT-25 (3,000/Reel) |
| | | MR-G | SOT-25 (3,000/Reel) |
| | | PR | SOT-89-5 (1,000/Reel) |
| | | PR-G | SOT-89-5 (1,000/Reel) |
| | | DR | USP-6B (3,000/Reel) |
| | | DR-G | USP-6B (3,000/Reel) |

^{(*)1} The maximum output current of type E~H depends on setting output voltage.

^{(*)2} With the pull-up resistor or pull-down resistor built-in types, the supply current during operation will increase by $V_{IN} / 2M\Omega$ (TYP.).

^{(*)3} The output voltage accuracy is ±30mV at $V_{OUT} \leq 1.5V$.

^{(*)4} The "-G" suffix denotes Halogen and Antimony free as well as being fully EU RoHS compliant.

■ BLOCK DIAGRAM

XC6209 Type A, E



XC6209 Type B, D, F, H



XC6209 Type C, G



* Diodes inside the circuits are ESD protection diodes and parasitic diodes.

■ ABSOLUTE MAXIMUM RATINGS

Ta=25°C

| PARAMETER | | SYMBOL | RATINGS | UNITS |
|-------------------------------|----------|------------------|---|-------|
| Input Voltage | | V _{IN} | 12.0 | V |
| Output Current | | I _{OUT} | 500 ^(*) | mA |
| Output Voltage | | V _{OUT} | V _{SS} - 0.3 ~ V _{IN} + 0.3 | V |
| CE Input Voltage | | V _{CE} | V _{SS} - 0.3 ~ V _{IN} + 0.3 | V |
| Power Dissipation | SOT-25 | P _d | 250 | mW |
| | | | 600(PCB mounted) ^(**) | |
| | SOT-89-5 | | 500 | |
| | | | 1300(PCB mounted) ^(**) | |
| | USP-6B | | 120 | |
| | | | 1000(PCB mounted) ^(**) | |
| Operating Ambient Temperature | | T _{opr} | -40 ~ +85 | °C |
| Storage Temperature | | T _{stg} | -55 ~ +125 | °C |

All voltages are described based on the V_{SS}.

^(*) $I_{OUT} \leq P_d / (V_{IN} - V_{OUT})$

^(**) This is a reference data taken by using the test board. Please refer to page 25 to 27 for details.

ELECTRICAL CHARACTERISTICS

XC6209 (Type A, B)

Ta=25°C

| PARAMETER | SYMBOL | CONDITIONS | MIN. | TYP. | MAX. | UNITS | CIRCUIT |
|--|---|--|--|------------------------------------|--|--------|---------|
| Output Voltage (2%) ⁽⁵⁾ | V _{OUT(E)} ⁽³⁾ | I _{OUT} =30mA | V _{OUT(T)} ⁽²⁾ ×0.98 | V _{OUT(T)} ⁽²⁾ | V _{OUT(T)} ⁽²⁾ ×1.02 | V | ① |
| Output Voltage (1%) ⁽⁶⁾ | | | V _{OUT(T)} ⁽²⁾ ×0.99 | | V _{OUT(T)} ⁽²⁾ ×1.01 | | |
| Maximum Output Current | I _{OUTMAX} | - | 150 | - | - | mA | ① |
| Load Regulation | ΔV _{OUT} | 1mA ≤ I _{OUT} ≤ 100mA | - | 15 | 50 | mV | ① |
| Dropout Voltage ⁽⁴⁾ | V _{dif1} | I _{OUT} =30mA | E-1 | | | mV | ① |
| | V _{dif2} | I _{OUT} =100mA | E-2 | | | mV | |
| Supply Current (Type A) | I _{DD} | V _{CE} =V _{IN} =V _{OUT(T)} +1.0V | - | 28 | 55 | μA | ② |
| Supply Current (Type B) | | When V _{OUT} ≤ 0.95V, V _{IN} =V _{CE} =2.0V | - | 25 | 50 | | |
| Stand-by Current | I _{STB} | V _{IN} =V _{OUT(T)} +1.0V, V _{CE} =V _{SS} When V _{OUT} ≤ 0.95V, V _{IN} =2.0V | - | 0.01 | 0.10 | μA | ② |
| Line Regulation | ΔV _{OUT} / (ΔV _{IN} ·V _{OUT}) | V _{OUT(T)} +1.0V ≤ V _{IN} ≤ 10V When V _{OUT} ≤ 0.95, 2.0V=V _{IN} ≤ 10V I _{OUT} =30mA When V _{OUT} ≤ 1.75V, I _{OUT} =10mA | - | 0.01 | 0.20 | %/V | ① |
| Input Voltage | V _{IN} | | 2 | - | 10 | V | - |
| Output Voltage Temperature Characteristics | ΔV _{OUT} / (ΔT _{opr} ·V _{OUT}) | I _{OUT} =30mA -40°C ≤ T _{opr} ≤ 85°C | - | 100 | - | ppm/°C | ① |
| Power Supply Rejection Ratio | PSRR | V _{IN} =[V _{OUT(T)} +1.0]V+1.0Vp-pAC When V _{OUT} ≤ 1.5V, V _{IN} =2.5V+1.0Vp-pAC I _{OUT} =50mA, f=10kHz | - | 70 | - | dB | ④ |
| Current Limit | I _{lim} | V _{IN} =V _{OUT(T)} +1.0V, V _{CE} =V _{SS} When V _{OUT} ≤ 1.75, V _{IN} =V _{OUT(T)} +2.0V | - | 300 | - | mA | ① |
| Short Current | I _{SHORT} | V _{IN} =V _{OUT(T)} +1.0V, V _{CE} =V _{SS} When V _{OUT} ≤ 1.75, V _{IN} =V _{OUT(T)} +2.0V | - | 50 | - | mA | ① |
| CE "H" Level Voltage | V _{CEH} | - | 1.6 | - | V _{IN} | V | ① |
| CE "L" Level Voltage | V _{CEL} | - | - | - | 0.25 | V | ① |
| CE "H" Level Current (Type A) | I _{CEH} | V _{IN} =V _{CE} =V _{OUT(T)} +1.0V, When V _{OUT} ≤ 0.95V, V _{IN} =V _{CE} =2.0V | 0.8 | - | 5.0 | μA | ② |
| CE "H" Level Current (Type B) | | | -0.1 | - | 0.1 | | |
| CE "L" Level Current | I _{CEL} | V _{IN} =V _{OUT(T)} +1.0V, V _{CE} =V _{SS} When V _{OUT} ≤ 0.95V, V _{IN} =2.0V | -0.1 | - | 0.1 | μA | ② |

*1: Unless otherwise stated, V_{IN}=V_{OUT(T)}+1.0V. If V_{OUT} is less than 0.95V, V_{IN}=2.0V.

*2: V_{OUT(T)} is Nominal output voltage

*3: V_{OUT(E)} is Effective output voltage

(I.e. the output voltage when "V_{OUT(T)}+1.0V" is provided at the V_{IN} pin while maintaining a certain I_{OUT} value).

*4: V_{dif}={V_{IN1}-V_{OUT1}}

V_{OUT1} is the voltage equal to 98% of the output voltage whenever an amply stabilized V_{OUT(T)}+1.0V is input for every I_{OUT}.

V_{IN1} is the input voltage when V_{OUT1} appears while input voltage is gradually decreased.

*5: If V_{OUT(T)} is less than 1.45V, V_{OUT(T)}-30mV (MIN.), V_{OUT(T)}+30mV (MAX.)

*6: Only for the V_{OUT(T)} is more than 3.0V products.

■ ELECTRICAL CHARACTERISTICS

XC6209 (Type C, D)

Ta=25°C

| PARAMETER | SYMBOL | CONDITIONS | MIN. | TYP. | MAX. | UNITS | CIRCUIT |
|--|--|--|--|------------------------------------|--|--------|---------|
| Output Voltage ⁽⁵⁾ (2%) | V _{OUT(E)} ⁽³⁾ | I _{OUT} =30mA | V _{OUT(T)} ⁽²⁾ ×0.98 | V _{OUT(T)} ⁽²⁾ | V _{OUT(T)} ⁽²⁾ ×1.02 | V | ① |
| Output Voltage ⁽⁶⁾ (1%) | | | V _{OUT(T)} ⁽²⁾ ×0.99 | | V _{OUT(T)} ⁽²⁾ ×1.01 | | |
| Maximum Output Current | I _{OUTMAX} | - | 150 | - | - | mA | ① |
| Load Regulation | ΔV _{OUT} | 1mA ≤ I _{OUT} ≤ 100mA | - | 15 | 50 | mV | ① |
| Dropout Voltage ⁽⁴⁾ | V _{dif1} | I _{OUT} =30mA | - | E-1 | | mV | ① |
| | V _{dif2} | I _{OUT} =100mA | - | E-2 | | | |
| Supply Current (Type C) | I _{DD} | V _{IN} =V _{OUT(T)} +1.0V | - | 28 | 55 | μA | ② |
| Supply Current (Type D) | | When V _{OUT} ≤ 0.95V, V _{IN} =2.0V V _{CE} =V _{SS} | - | 25 | 50 | | |
| Stand-by Current | I _{STB} | V _{IN} =V _{OUT(T)} +1.0V, V _{CE} =V _{IN} When V _{OUT} ≤ 0.95V, V _{IN} =V _{CE} =2.0V | - | 0.01 | 0.10 | μA | ② |
| Line Regulation | ΔV _{OUT} / (ΔV _{IN} · V _{OUT}) | V _{OUT(T)} +1.0V ≤ V _{IN} ≤ 10V V _{OUT} ≤ 0.95V is 2.0V ≤ V _{IN} ≤ 10V I _{OUT} =30mA When V _{OUT} ≤ 1.75V, I _{OUT} =10mA | - | 0.01 | 0.20 | %/V | ① |
| Input Voltage | V _{IN} | - | 2 | - | 10 | V | - |
| Output Voltage Temperature Characteristics | ΔV _{OUT} / (ΔT _{opr} · V _{OUT}) | I _{OUT} =30mA -40°C ≤ T _{opr} ≤ 85°C | - | ±100 | - | ppm/°C | ① |
| Power Supply Rejection Ratio | PSRR | V _{IN} =[V _{OUT(T)} +1.0]V+1.0Vp-p _{AC} When V _{OUT} ≤ 1.5V, V _{IN} =2.5V+1.0Vp-p _{AC} I _{OUT} =50mA, f=10kHz | - | 70 | - | dB | ④ |
| Current Limit | I _{lim} | V _{IN} =V _{OUT(T)} +1.0V, V _{CE} =V _{SS} When V _{OUT} ≤ 1.75V, V _{IN} =V _{OUT(T)} +2.0V | - | 300 | - | mA | ① |
| Short Current | I _{SHORT} | V _{IN} =V _{OUT(T)} +1.0V, V _{CE} =V _{SS} When V _{OUT} ≤ 1.75V, V _{IN} =V _{OUT(T)} +2.0V | - | 50 | - | mA | ① |
| CE "H" Level Voltage | V _{CEH} | - | 1.6 | - | V _{IN} | V | ① |
| CE "L" Level Voltage | V _{CEL} | - | - | - | 0.25 | V | ① |
| CE "H" Level Current | I _{CEH} | V _{CE} =V _{IN} =V _{OUT(T)} +1.0V When V _{OUT} ≤ 0.95V, V _{CE} =V _{IN} =2.0V | -0.1 | - | 0.1 | μA | ② |
| CE "L" Level Current (Type C) | I _{CEL} | V _{IN} =V _{OUT(T)} +1.0V, V _{CE} =V _{SS} When V _{OUT} ≤ 0.95V, V _{IN} =2.0V | -5.0 | - | -0.8 | μA | ② |
| CE "L" Level Current (Type D) | | | -0.1 | - | 0.1 | | |

*1: Unless otherwise stated, V_{IN}=V_{OUT(T)}+1.0V. If V_{OUT} is less than 0.95V, V_{IN}= 2.0V.

*2: V_{OUT(T)} is Nominal output voltage

*3: V_{OUT(E)} is Effective output voltage

(I.e. the output voltage when "V_{OUT(T)}+1.0V" is provided at the V_{IN} pin while maintaining a certain I_{OUT} value).

*4: V_{dif}={V_{IN1}-V_{OUT1}}

V_{OUT1} is the voltage equal to 98% of the output voltage whenever an amply stabilized V_{OUT(T)}+1.0V is input for every I_{OUT}.

V_{IN1} is the input voltage when V_{OUT1} appears while input voltage is gradually decreased.

*5: If V_{OUT(T)} is less than 1.45V, V_{OUT(T)}-30mV (MIN.), V_{OUT(T)} + 30mV (MAX.)

*6: Only for the V_{OUT(T)} is more than 3.0V products.

ELECTRICAL CHARACTERISTICS (Continued)

XC6209 (Type E,F)

Ta=25°C

| PARAMETER | SYMBOL | CONDITIONS | MIN. | TYP. | MAX. | UNITS | CIRCUIT |
|--|---|--|---|-------------------------------------|---|--------|---------|
| Output Voltage (2%) ^(*5) | V _{OUT(E)} ^(*3) | I _{OUT} =30mA | V _{OUT(T)} ^(*2) ×0.98 | V _{OUT(T)} ^(*2) | V _{OUT(T)} ^(*2) ×1.02 | V | ① |
| Output Voltage (1%) ^(*6) | | | V _{OUT(T)} ^(*2) ×0.99 | | V _{OUT(T)} ^(*2) ×1.01 | | |
| Maximum Output Current | I _{OUTMAX} | V _{IN} =E-3 ^(*7) | E-4 | - | - | mA | ① |
| Load Regulation | ΔV _{OUT} | 1mA ≤ I _{OUT} ≤ 100mA | - | 15 | 50 | mV | ① |
| Load Regulation 2 | ΔV _{OUT2} | 1mA ≤ I _{OUT} ≤ 300mA | - | - | 100 | mV | ① |
| Dropout Voltage ^(*4) | V _{dif1} | I _{OUT} =30mA | E-1 | | | mV | ① |
| | V _{dif2} | I _{OUT} =100mA | E-2 | | | mV | |
| Supply Current (Type E) | I _{DD} | V _{CE} =V _{IN} =V _{OUT(T)} +1.0V When V _{OUT} ≤ 0.95V, V _{CE} =V _{IN} =2.0V | - | 28 | 55 | μA | ② |
| Supply Current (Type F) | | | - | 25 | 50 | | |
| Stand-by Current | I _{STB} | V _{IN} =V _{OUT(T)} +1.0V, V _{CE} =V _{SS} When V _{OUT} ≤ 0.95V, V _{CE} =V _{IN} =2.0V | - | 0.01 | 0.10 | μA | ② |
| Line Regulation | ΔV _{OUT} / (ΔV _{IN} ·V _{OUT}) | V _{OUT(T)} +1.0V ≤ V _{IN} ≤ 10V When V _{OUT} ≤ 0.95V, 2.0V ≤ V _{IN} ≤ 10V I _{OUT} =30mA V _{OUT} ≤ 1.75V, I _{OUT} =10mA | - | 0.01 | 0.20 | %/V | ① |
| Input Voltage | V _{IN} | - | 2 | - | 10 | V | - |
| Output Voltage Temperature Characteristics | ΔV _{OUT} / (ΔT _{opr} ·V _{OUT}) | I _{OUT} =30mA -40°C ≤ T _{opr} ≤ 85°C | - | 100 | - | ppm/°C | ① |
| Power Supply Rejection Ratio | PSRR | V _{IN} ={V _{OUT(T)} +1.0}V+1.0Vp-p _{AC} , When V _{OUT} ≤ 1.5V, V _{IN} =2.5V+1.0Vp-p _{AC} , I _{OUT} =50mA, f=10kHz | - | 70 | - | dB | ④ |
| Current Limit | I _{lim} | V _{IN} =V _{OUT(T)} +1.0V, V _{CE} =V _{IN} , When V _{OUT} ≤ 1.75V, V _{IN} =V _{OUT(T)} +2.0V | - | 380 | - | mA | ① |
| Short Current | I _{SHORT} | V _{IN} =V _{OUT(T)} +1.0V, V _{CE} =V _{IN} , When V _{OUT} < 1.75V, V _{IN} =V _{OUT(T)} +2.0V | - | 50 | - | mA | ① |
| CE "H" Level Voltage | V _{CEH} | - | 1.6 | - | V _{IN} | V | ① |
| CE "L" Level Voltage | V _{CEL} | - | - | - | 0.25 | V | ② |
| CE "H" Level Current (Type E) | I _{CEH} | V _{IN} =V _{CE} =V _{OUT(T)} +1.0V When V _{OUT} ≤ 0.95V, V _{IN} =V _{CE} =2.0V | 0.8 | - | 5.0 | μA | ② |
| CE "H" Level Current (Type F) | | | -0.1 | - | 0.1 | | |
| CE "L" Level Current | I _{CEL} | V _{IN} =V _{OUT(T)} +1.0V, V _{CE} =V _{SS} When V _{OUT} ≤ 0.95V, V _{IN} =2.0V | -0.1 | - | 0.1 | μA | ② |

*1: Unless otherwise stated, V_{IN}=V_{OUT(T)}+1.0V. If V_{OUT} is less than 0.95V, V_{IN}=2.0V.

*2: V_{OUT(T)} is Nominal output voltage

*3: V_{OUT(E)} is Effective output voltage

(I.e. the output voltage when "V_{OUT(T)}+1.0V" is provided at the V_{IN} pin while maintaining a certain I_{OUT} value).

*4: V_{dif}={V_{IN1}-V_{OUT1}}

V_{OUT1} is the voltage equal to 98% of the output voltage whenever an amply stabilized V_{OUT(T)}+1.0V is input for every I_{OUT}.

V_{IN1} is the input voltage when V_{OUT1} appears while input voltage is gradually decreased.

*5: If V_{OUT(T)} is less than 1.45V, V_{OUT(T)}-30mV (MIN.), V_{OUT(T)}+30mV (MAX.)

*6: Only for the V_{OUT(T)} is more than 3.0V products.

*7: Please refer to the "Dropout Voltage" table.

■ ELECTRICAL CHARACTERISTICS (Continued)

XC6209 (Type G, H)

Ta=25°C

| PARAMETER | SYMBOL | CONDITIONS | MIN. | TYP. | MAX. | UNITS | CIRCUIT |
|--|--|---|---|-------------------------------------|---|--------|---------|
| Output Voltage ^(*5) (2%) | V _{OUT(E)} ^(*3) | I _{OUT} =30mA | V _{OUT(T)} ^(*2) ×0.98 | V _{OUT(T)} ^(*2) | V _{OUT(T)} ^(*2) ×1.02 | V | ① |
| Output Voltage ^(*6) (1%) | | | V _{OUT(T)} ^(*2) ×0.99 | | V _{OUT(T)} ^(*2) ×1.01 | | |
| Maximum Output Current | I _{OUTMAX} | V _{IN} =E-3 ^(*7) | E-4 | - | - | mA | ① |
| Load Regulation | ΔV _{OUT} | 1mA ≤ I _{OUT} ≤ 100mA | - | 15 | 50 | mV | ① |
| Load Regulation 2 | ΔV _{OUT2} | 1mA ≤ I _{OUT} ≤ 300mA | - | - | 100 | mV | ① |
| Dropout Voltage ^(*4) | V _{dif1} | I _{OUT} =30mA | - | E-1 | | mV | ① |
| | V _{dif2} | I _{OUT} =100mA | - | E-2 | | | |
| Supply Current (Type G) | I _{DD} | V _{IN} =V _{OUT(T)} +1.0V | - | 28 | 55 | μA | ② |
| Supply Current (Type H) | | When V _{OUT} ≤ 0.95V, V _{IN} =2.0V, V _{CE} =V _{SS} | - | 25 | 50 | | |
| Stand-by Current | I _{STB} | V _{IN} =V _{OUT(T)} +1.0V, V _{CE} =V _{IN} When V _{OUT} ≤ 0.95V, V _{CE} =V _{IN} =2.0V | - | 0.01 | 0.10 | μA | ② |
| Line Regulation | ΔV _{OUT} / (ΔV _{IN} · V _{OUT}) | V _{OUT(T)} +1.0V ≤ V _{IN} ≤ 10V When V _{OUT} ≤ 0.95V, 2.0V ≤ V _{IN} ≤ 10V I _{OUT} =30mA When V _{OUT} ≤ 1.75V, I _{OUT} =10mA | - | 0.01 | 0.20 | %/V | ① |
| Input Voltage | V _{IN} | - | 2 | - | 10 | V | - |
| Output Voltage Temperature Characteristics | ΔV _{OUT} / (ΔT _{opr} · V _{OUT}) | I _{OUT} =30mA -40°C ≤ T _{opr} ≤ 85°C | - | ±100 | - | ppm/°C | ① |
| Power Supply Rejection Ratio | PSRR | V _{IN} =[V _{OUT(T)} +1.0]V+1.0Vp-pAC When V _{OUT} ≤ 1.5V, V _{IN} =2.5V+1.0Vp-pAC I _{OUT} =50mA, f=10kHz | - | 70 | - | dB | ④ |
| Current Limit | I _{lim} | V _{IN} =V _{OUT(T)} +1.0V, V _{CE} =V _{SS} When V _{OUT} ≤ 1.75V, V _{IN} =V _{OUT(T)} +2.0V | - | 380 | - | mA | ① |
| Short Current | I _{SHORT} | V _{IN} =V _{OUT(T)} +1.0V, V _{OUT} =V _{SS} When V _{OUT} ≤ 1.75V, V _{IN} =V _{OUT(T)} +2.0V | - | 50 | - | mA | ① |
| CE "H" Level Voltage | V _{CEH} | - | 1.6 | - | V _{IN} | V | ① |
| CE "L" Level Voltage | V _{CEL} | - | - | - | 0.25 | V | ① |
| CE "H" Level Current | I _{CEH} | V _{CE} =V _{IN} =V _{OUT(T)} +1.0V When V _{OUT} ≤ 0.95V, V _{CE} =V _{IN} =2.0V | -0.1 | - | 0.1 | μA | ② |
| CE "L" Level Current (Type G) | I _{CEL} | V _{IN} =V _{OUT(T)} +1.0V, V _{CE} =V _{SS} When V _{OUT} ≤ 0.95V, V _{IN} =2.0V | -5.0 | - | -0.8 | μA | ② |
| CE "L" Level Current (Type H) | | | -0.1 | - | 0.1 | | |

*1: Unless otherwise stated, V_{IN}=V_{OUT(T)}+1.0V. If V_{OUT} is less than 0.95V, V_{IN}=2.0V.

*2: V_{OUT(T)} is Nominal output voltage

*3: V_{OUT(E)} is Effective output voltage

(I.e. the output voltage when "V_{OUT(T)}+1.0V" is provided at the V_{IN} pin while maintaining a certain I_{OUT} value).

*4: V_{dif}={V_{IN1}-V_{OUT1}}

V_{OUT1} is the voltage equal to 98% of the output voltage whenever an amply stabilized V_{OUT(T)}+1.0V is input for every I_{OUT}.

V_{IN1} is the input voltage when V_{OUT1} appears while input voltage is gradually decreased.

*5: If V_{OUT(T)} is less than 1.45V, V_{OUT(T)}-30mV (MIN.), V_{OUT(T)}+30mV (MAX.)

*6: Only for the V_{OUT(T)} is more than 3.0V products.

*7: Please refer to the "Dropout Voltage" table.

ELECTRICAL CHARACTERISTICS (Continued)

● Dropout Voltage

Voltage Accuracy 2% products

Ta=25°C

| SYMBOL PARAMETER NOMINAL OUTPUT VOLTAGE | E-0 | | E-1 | | E-2 | | |
|---|----------------------------|-------|--|------|---|------|-----|
| | OUTPUT VOLTAGE (V) (2%) | | DROPOUT VOLTAGE 1 (mV) (I _{OUT} =30mA) | | DROPOUT VOLTAGE 2 (mV) (I _{OUT} =100mA) | | |
| | V _{OUT} | | Vdif1 | | Vdif2 | | |
| V _{OUT(T)} | MIN. | MAX. | TYP. | MAX. | TYP. | MAX. | |
| 0.90 * | 0.870 | 0.930 | 1100 | 1110 | 1150 | 1200 | |
| 0.95 * | 0.920 | 0.980 | | | | | |
| 1.00 * | 0.970 | 1.030 | 1000 | 1010 | 1050 | 1100 | |
| 1.05 * | 1.020 | 1.080 | | | | | |
| 1.10 * | 1.070 | 1.130 | 900 | 910 | 950 | 1000 | |
| 1.15 * | 1.120 | 1.180 | | | | | |
| 1.20 * | 1.170 | 1.230 | 800 | 810 | 850 | 900 | |
| 1.25 * | 1.220 | 1.280 | | | | | |
| 1.30 * | 1.270 | 1.330 | 700 | 710 | 750 | 800 | |
| 1.35 * | 1.320 | 1.380 | | | | | |
| 1.40 * | 1.370 | 1.430 | 600 | 610 | 650 | 700 | |
| 1.45 * | 1.420 | 1.480 | | | | | |
| 1.50 * | 1.470 | 1.530 | 500 | 510 | 550 | 600 | |
| 1.55 * | 1.519 | 1.581 | | | | | |
| 1.60 * | 1.568 | 1.632 | 400 | 410 | 500 | 550 | |
| 1.65 * | 1.617 | 1.683 | | | | | |
| 1.70 * | 1.666 | 1.734 | 300 | 310 | 400 | 450 | |
| 1.75 * | 1.715 | 1.785 | | | | | |
| 1.80 * | 1.764 | 1.836 | 200 | 210 | 300 | 400 | |
| 1.85 * | 1.813 | 1.887 | | | | | |
| 1.90 * | 1.862 | 1.938 | 120 | 150 | 280 | 380 | |
| 1.95 * | 1.911 | 1.989 | | | | | |
| 2.00 | 1.960 | 2.040 | 80 | 120 | 240 | 350 | |
| 2.05 | 2.009 | 2.091 | | | | 330 | |
| 2.10 | 2.058 | 2.142 | | | | | |
| 2.15 | 2.107 | 2.193 | | | | | |
| 2.20 | 2.156 | 2.244 | | | | | |
| 2.25 | 2.205 | 2.295 | | | | | |
| 2.30 | 2.254 | 2.346 | | | | | |
| 2.35 | 2.303 | 2.397 | | | | | |
| 2.40 | 2.352 | 2.448 | | | | | |
| 2.45 | 2.401 | 2.499 | | | | 310 | |
| 2.50 | 2.450 | 2.550 | 70 | 100 | 220 | | 290 |
| 2.55 | 2.499 | 2.601 | | | | | |
| 2.60 | 2.548 | 2.652 | | | | | |
| 2.65 | 2.597 | 2.703 | | | | | |
| 2.70 | 2.646 | 2.754 | | | | | |
| 2.75 | 2.695 | 2.805 | | | | | |
| 2.80 | 2.744 | 2.856 | | | | | |
| 2.85 | 2.793 | 2.907 | | | | | |
| 2.90 | 2.842 | 2.958 | | | | | |
| 2.95 | 2.891 | 3.009 | | | | 270 | |
| 3.00 | 2.940 | 3.060 | 60 | 90 | 200 | | 250 |
| 3.05 | 2.989 | 3.111 | | | | | |
| 3.10 | 3.038 | 3.162 | | | | | |
| 3.15 | 3.087 | 3.213 | | | | | |
| 3.20 | 3.136 | 3.264 | | | | | |
| 3.25 | 3.185 | 3.315 | | | | | |
| 3.30 | 3.234 | 3.366 | | | | | |
| 3.35 | 3.283 | 3.417 | | | | | |
| 3.40 | 3.332 | 3.468 | | | | | |
| 3.45 | 3.381 | 3.519 | | | | | |
| 3.50 | 3.430 | 3.570 | | | | | |
| 3.55 | 3.479 | 3.621 | | | | | |

* The input voltage 2.0V (MIN.) is needed to operate the IC. 2.0V-V_{OUT(T)} of dropout voltage is needed at minimum.

■ ELECTRICAL CHARACTERISTICS (Continued)

● Dropout Voltage (Continued)

Voltage Accuracy 2% products

Ta=25°C

| SYMBOL | E-0 | | E-1 | | E-2 | |
|---|----------------------------|-------|--|------|---|------|
| PARAMETER NOMINAL OUTPUT VOLTAGE | OUTPUT VOLTAGE (V) (2%) | | DROPOUT VOLTAGE 1 (mV) (I _{OUT} =30mA) | | DROPOUT VOLTAGE 2 (mV) (I _{OUT} =100mA) | |
| | V _{OUT} | | V _{dif1} | | V _{dif2} | |
| V _{OUT(T)} | MIN. | MAX. | TYP. | MAX. | TYP. | MAX. |
| 3.60 | 3.528 | 3.672 | 60 | 90 | 200 | 250 |
| 3.65 | 3.577 | 3.723 | | | | |
| 3.70 | 3.626 | 3.774 | | | | |
| 3.75 | 3.675 | 3.825 | | | | |
| 3.80 | 3.724 | 3.876 | | | | |
| 3.85 | 3.773 | 3.927 | | | | |
| 3.90 | 3.822 | 3.978 | | | | |
| 3.95 | 3.871 | 4.029 | | | | |
| 4.00 | 3.920 | 4.080 | | | | |
| 4.05 | 3.969 | 4.131 | | | | |
| 4.10 | 4.018 | 4.182 | | | | |
| 4.15 | 4.067 | 4.233 | | | | |
| 4.20 | 4.116 | 4.284 | | | | |
| 4.25 | 4.165 | 4.335 | | | | |
| 4.30 | 4.214 | 4.386 | | | | |
| 4.35 | 4.263 | 4.437 | | | | |
| 4.40 | 4.312 | 4.488 | | | | |
| 4.45 | 4.361 | 4.539 | | | | |
| 4.50 | 4.410 | 4.590 | | | | |
| 4.55 | 4.459 | 4.641 | | | | |
| 4.60 | 4.508 | 4.692 | | | | |
| 4.65 | 4.557 | 4.743 | | | | |
| 4.70 | 4.606 | 4.794 | | | | |
| 4.75 | 4.655 | 4.845 | | | | |
| 4.80 | 4.704 | 4.896 | | | | |
| 4.85 | 4.753 | 4.947 | | | | |
| 4.90 | 4.802 | 4.998 | | | | |
| 4.95 | 4.851 | 5.049 | | | | |
| 5.00 | 4.900 | 5.100 | | | | |
| 5.05 | 4.949 | 5.151 | | | | |
| 5.10 | 4.998 | 5.202 | | | | |
| 5.15 | 5.047 | 5.253 | | | | |
| 5.20 | 5.096 | 5.304 | | | | |
| 5.25 | 5.145 | 5.355 | | | | |
| 5.30 | 5.194 | 5.406 | | | | |
| 5.35 | 5.243 | 5.457 | | | | |
| 5.40 | 5.292 | 5.508 | | | | |
| 5.45 | 5.341 | 5.559 | | | | |
| 5.50 | 5.390 | 5.610 | | | | |
| 5.55 | 5.439 | 5.661 | | | | |
| 5.60 | 5.488 | 5.712 | | | | |
| 5.65 | 5.537 | 5.763 | | | | |
| 5.70 | 5.586 | 5.814 | | | | |
| 5.75 | 5.635 | 5.865 | | | | |
| 5.80 | 5.684 | 5.916 | | | | |
| 5.85 | 5.733 | 5.967 | | | | |
| 5.90 | 5.782 | 6.018 | | | | |
| 5.95 | 5.831 | 6.069 | | | | |
| 6.00 | 5.880 | 6.120 | | | | |
| | | | 50 | 70 | 160 | 210 |

ELECTRICAL CHARACTERISTICS (Continued)

● Output Voltage

Voltage Accuracy 1% products

| SYMBOL NOMINAL OUTPUT VOLTAGE | E-0 | |
|-------------------------------------|----------------------------|-------|
| | OUTPUT VOLTAGE (V) (1%) | |
| | V _{OUT} | |
| V _{OUT(T)} | MIN. | MAX. |
| 3.00 | 2.970 | 3.030 |
| 3.05 | 3.020 | 3.081 |
| 3.10 | 3.069 | 3.131 |
| 3.15 | 3.119 | 3.182 |
| 3.20 | 3.168 | 3.232 |
| 3.25 | 3.218 | 3.283 |
| 3.30 | 3.267 | 3.333 |
| 3.35 | 3.317 | 3.384 |
| 3.40 | 3.366 | 3.434 |
| 3.45 | 3.416 | 3.485 |
| 3.50 | 3.465 | 3.535 |
| 3.55 | 3.515 | 3.586 |
| 3.60 | 3.564 | 3.636 |
| 3.65 | 3.614 | 3.687 |
| 3.70 | 3.663 | 3.737 |
| 3.75 | 3.713 | 3.788 |
| 3.80 | 3.762 | 3.838 |
| 3.85 | 3.812 | 3.889 |
| 3.90 | 3.861 | 3.939 |
| 3.95 | 3.911 | 3.990 |
| 4.00 | 3.960 | 4.040 |
| 4.05 | 4.010 | 4.091 |
| 4.10 | 4.059 | 4.141 |
| 4.15 | 4.109 | 4.192 |
| 4.20 | 4.158 | 4.242 |
| 4.25 | 4.208 | 4.293 |
| 4.30 | 4.257 | 4.343 |
| 4.35 | 4.307 | 4.394 |
| 4.40 | 4.356 | 4.444 |
| 4.45 | 4.405 | 4.494 |
| 4.50 | 4.455 | 4.545 |

| SYMBOL NOMINAL OUTPUT VOLTAGE | E-0 | |
|-------------------------------------|----------------------------|-------|
| | OUTPUT VOLTAGE (V) (1%) | |
| | V _{OUT} | |
| V _{OUT(T)} | MIN. | MAX. |
| 4.55 | 4.505 | 4.596 |
| 4.60 | 4.554 | 4.646 |
| 4.65 | 4.604 | 4.697 |
| 4.70 | 4.653 | 4.747 |
| 4.75 | 4.703 | 4.798 |
| 4.80 | 4.752 | 4.848 |
| 4.85 | 4.802 | 4.899 |
| 4.90 | 4.851 | 4.949 |
| 4.95 | 4.901 | 5.000 |
| 5.00 | 4.950 | 5.050 |
| 5.05 | 4.000 | 5.101 |
| 5.10 | 4.049 | 5.151 |
| 5.15 | 4.099 | 5.202 |
| 5.20 | 4.148 | 5.252 |
| 5.25 | 5.198 | 5.303 |
| 5.30 | 5.247 | 5.353 |
| 5.35 | 5.297 | 5.404 |
| 5.40 | 5.346 | 5.454 |
| 5.45 | 5.396 | 5.505 |
| 5.50 | 5.445 | 5.555 |
| 5.55 | 5.495 | 5.606 |
| 5.60 | 5.544 | 5.656 |
| 5.65 | 5.594 | 5.707 |
| 5.70 | 5.643 | 5.757 |
| 5.75 | 5.693 | 5.808 |
| 5.80 | 5.742 | 5.858 |
| 5.85 | 5.792 | 5.909 |
| 5.90 | 5.841 | 5.959 |
| 5.95 | 5.891 | 6.010 |
| 6.00 | 5.940 | 6.060 |

● Conditions

| SYMBOL CONDITIONS, SPEC. NOMINAL OUTPUT VOLTAGE (V) | E-3 | E-4 |
|---|---------------------------|-----------------------------|
| | INPUT VOLTAGE (V) | MAXIMUM OUTPUT CURRENT (mA) |
| | V _{IN} | MIN. |
| 0.90 ~ 0.95 | 2.5 | 260 |
| 1.00 ~ 1.05 | 2.5 | 260 |
| 1.10 ~ 1.15 | 2.6 | 270 |
| 1.20 ~ 1.25 | 2.7 | 290 |
| 1.30 ~ 1.35 | 2.8 | 300 |
| 1.40 ~ 1.45 | 2.9 | |
| 1.50 ~ 1.95 | 3.0 | |
| 2.00 ~ 6.00 | V _{OUT(T)} + 1.0 | |

* V_{OUT(T)} is Nominal output voltage value.

■ OPERATIONAL EXPLANATION



Output voltage control with the XC6209 series:

The voltage divided by resistors R1 & R2 is compared with the internal reference voltage by the error amplifier.

The P-channel MOSFET, which is connected to the V_{OUT} pin, is then driven by the subsequent output signal. The output voltage at the V_{OUT} pin is controlled & stabilized by a system of negative feedback.

The current limit circuit and short protect circuit operate in relation to the level of output current. Further, the IC's internal circuitry can be shutdown via the CE pin's signal.

<Low ESR Capacitors>

With the XC6209 series, a stable output voltage is achievable even if used with low ESR capacitors as a phase compensation circuit is built-in. In order to ensure the effectiveness of the phase compensation, we suggest that an output capacitor (C_L) is connected as close as possible to the output pin (V_{OUT}) and the V_{SS} pin. Please use an output capacitor with a capacitance value of at least 1 μF. Also, please connect an input capacitor (C_{IN}) of 1 μF between the V_{IN} pin and the V_{SS} pin in order to ensure a stable power input.

Stable phase compensation may not be ensured if the capacitor runs out capacitance when depending on bias and temperature. In case the capacitor depends on the bias and temperature, please make sure the capacitor can ensure the actual capacitance.

<Current Limiter, Short-Circuit Protection>

The XC6209 series includes a combination of a fixed current limiter circuit & a foldback circuit, which aid the operations of the current limiter and circuit protection. When the load current reaches the current limit level, the fixed current limiter circuit operates and output voltage drops. As a result of this drop in output voltage, the foldback circuit operates, output voltage drops further and output current decreases. When the output pin is shorted, a current of about 50mA flows.

<CE Pin>

The IC's internal circuitry can be shutdown via the signal from the CE pin with the XC6209 series. In shutdown mode, output at the V_{OUT} pin will be pulled down to the V_{SS} level via R1 & R2. The operational logic of the IC's CE pin is selectable (please refer to the selection guide). Note that as the standard XC6209B type is 'Active High /No Pull Down', operations will become unstable with the CE pin open. Although the CE pin is equal to an inverter input with CMOS hysteresis, with either the pull-up or pull-down options, the CE pin input current will increase when the IC's in operation.

We suggest that you use this IC with either a V_{IN} voltage or a V_{SS} voltage input at the CE pin. If this IC is used with the correct specifications for the CE pin, the IC will operate normally. However, supply current may increase as a result of through current in the IC's internal circuitry

■ NOTES ON USE

1. For temporary, transitional voltage drop or voltage rising phenomenon, the IC is liable to malfunction should the ratings be exceeded.
2. Where wiring impedance is high, operations may become unstable due to noise and/or phase lag depending on output current. Please strengthen V_{IN} and V_{SS} wiring in particular.
3. Please wire the input capacitor (C_{IN}) and the output capacitor (C_L) as close to the IC as possible.
4. The IC is controlled with constant current start-up. Start-up sequence control is requested to draw a load current after even nominal output voltage rising up the output voltage.
5. Torex places an importance on improving our products and their reliability.
We request that users incorporate fail-safe designs and post-aging protection treatment when using Torex products in their systems.

TEST CIRCUITS

Circuit ①



Circuit ②



Circuit ③



Circuit ④



* Each Test Circuit, V_{CE} (CE pin Voltage)

Active

XC6209, Type A, B, E, F: $V_{CE} = V_{IN}$

XC6209, Type C, D, G, H: $V_{CE} = V_{SS}$

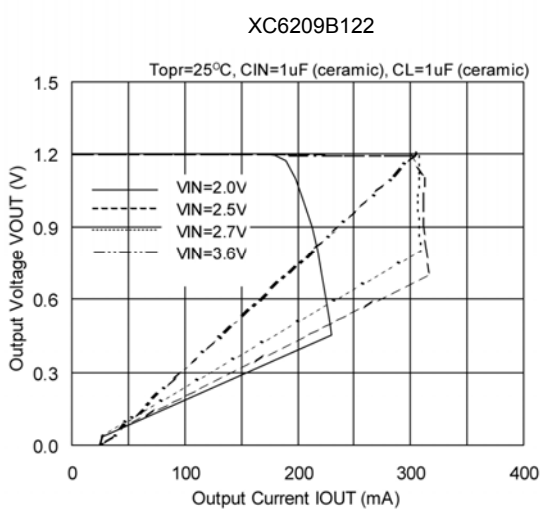
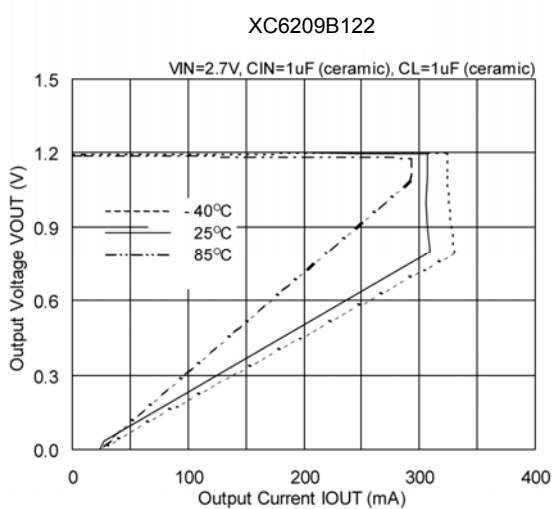
Stand-by

XC6209, Type A, B, E, F: $V_{CE} = V_{SS}$

XC6209, Type C, D, G, H: $V_{CE} = V_{IN}$

■ TYPICAL PERFORMANCE CHARACTERISTICS

(1) Output Voltage vs. Output Current

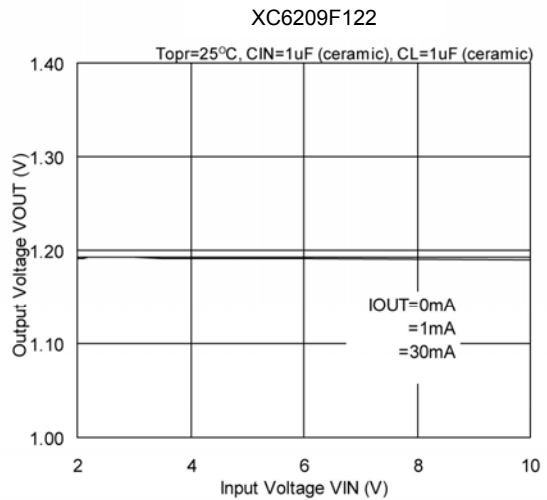
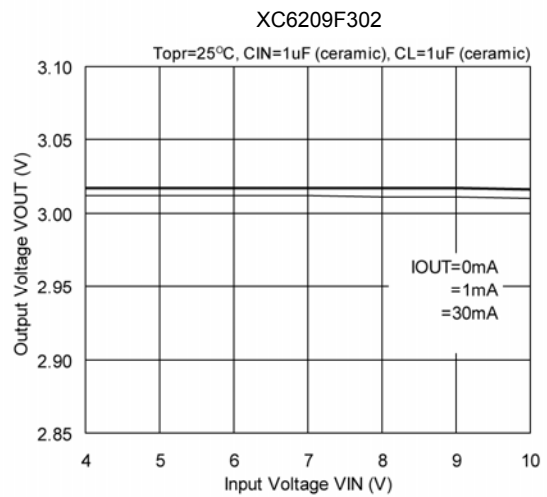


TYPICAL PERFORMANCE CHARACTERISTICS (Continued)

(1) Output Voltage vs. Output Current (Continued)



(2) Output Voltage vs. Input Voltage



■ TYPICAL PERFORMANCE CHARACTERISTICS (Continued)

(3) Dropout Voltage vs. Output Current



(4) Supply Current vs. Input Voltage

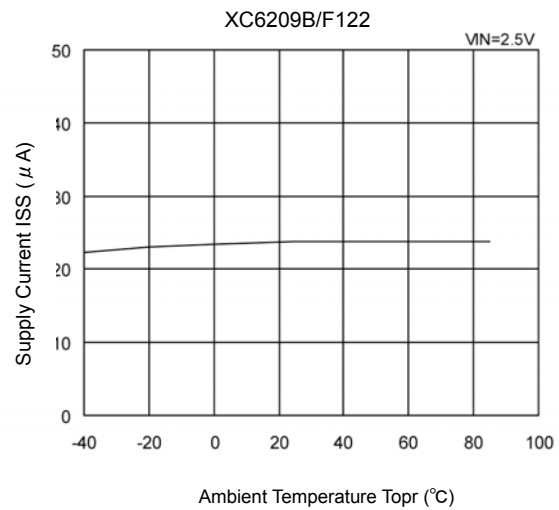


TYPICAL PERFORMANCE CHARACTERISTICS (Continued)

(5) Output Voltage vs. Ambient Temperature



(6) Supply Current vs. Ambient Temperature

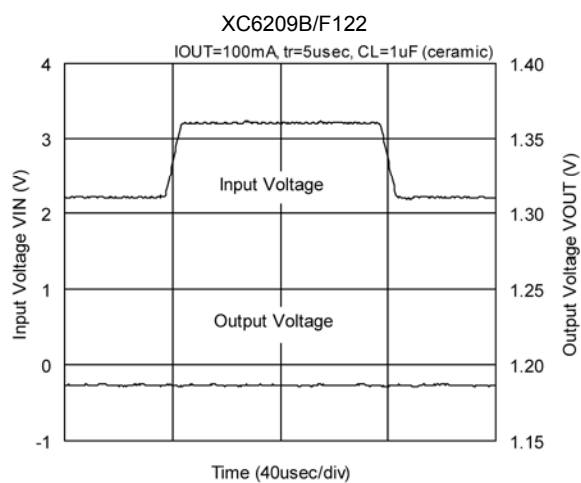
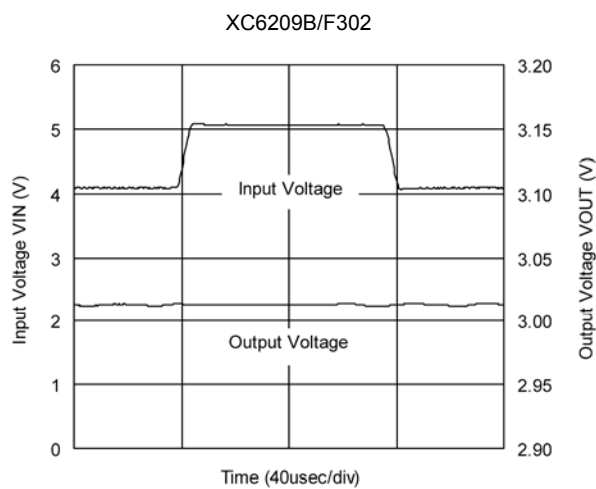


(7) P-ch Driver Transistor Characteristics



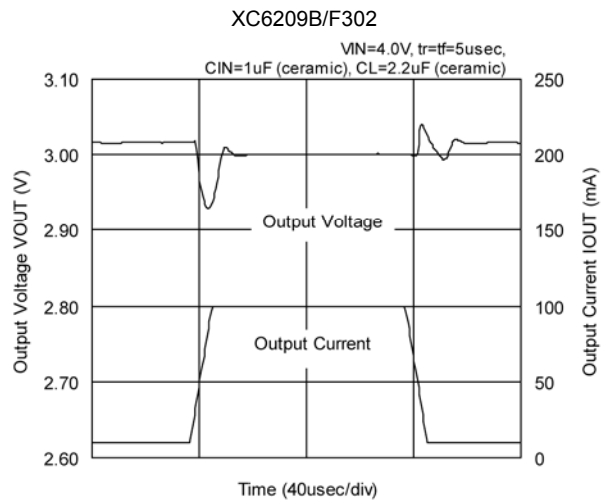
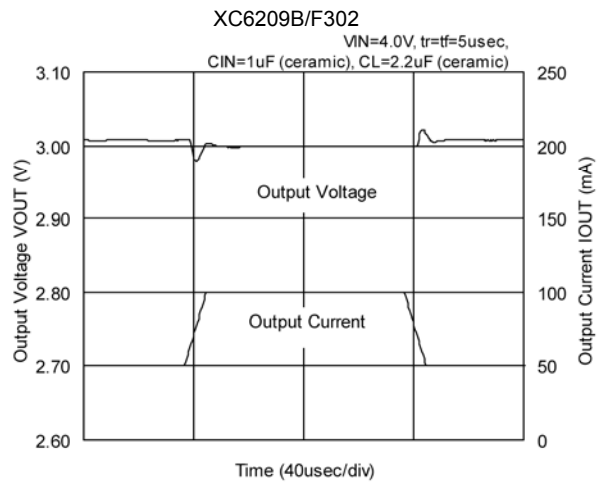
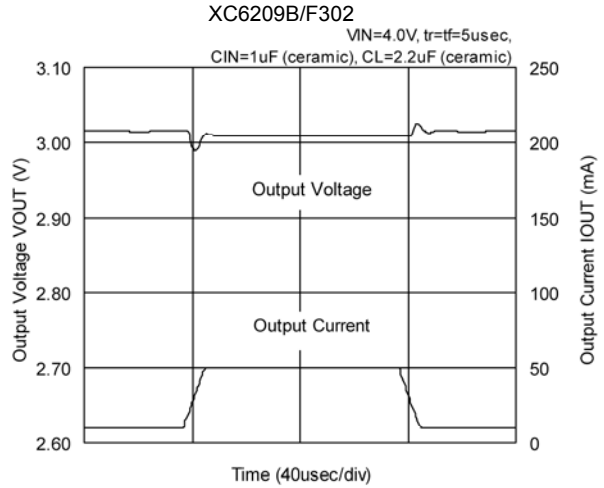
■ TYPICAL PERFORMANCE CHARACTERISTICS (Continued)

(8) Input Transient Response



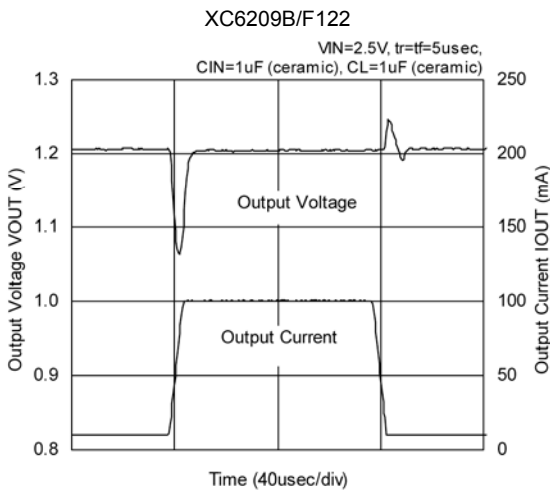
TYPICAL PERFORMANCE CHARACTERISTICS (Continued)

(9) Load Transient Response



■ **TYPICAL PERFORMANCE CHARACTERISTICS (Continued)**

(9) Load Transient Response (Continued)



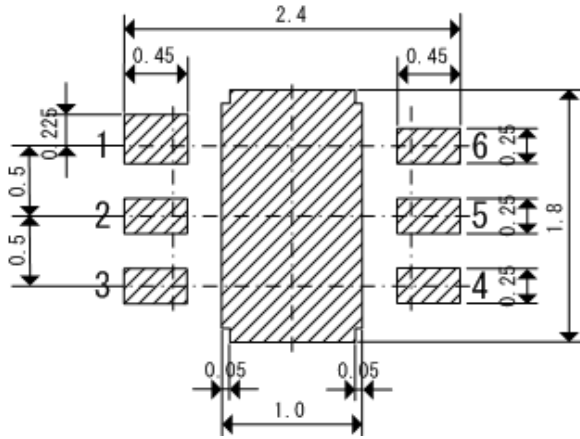
TYPICAL PERFORMANCE CHARACTERISTICS (Continued)

(10) Ripple Rejection Rate



PACKAGING INFORMATION (Continued)

● USP-6B Reference Pattern Layout (unit:mm)



● USP-6B Reference Metal Mask Design (unit:mm)



● **SOT-25 Power Dissipation**

Power dissipation data for the SOT-25 is shown in this page.
The value of power dissipation varies with the mount board conditions.
Please use this data as the reference data taken in the following condition.

1. Measurement Condition

- Condition: Mount on a board
- Ambient: Natural convection
- Soldering: Lead (Pb) free
- Board: Dimensions 40×40mm (1600mm² in one side)
Copper (Cu) traces occupy 50% of the board area
In top and back faces
Package heat-sink is tied to the copper traces
(Board of SOT-26 is used)
- Material: Glass Epoxy (FR-4)
- Thickness: 1.6mm
- Through-hole: 4 x 0.8 Diameter



Evaluation Board (unit: mm)

2. Power Dissipation vs. Ambient Temperature

Board Mount (Tjmax=125°C)

| Ambient Temperature (°C) | Power Dissipation Pd (mW) | Thermal Resistance (°C/W) |
|--------------------------|---------------------------|---------------------------|
| 25 | 600 | 166.67 |
| 85 | 240 | |

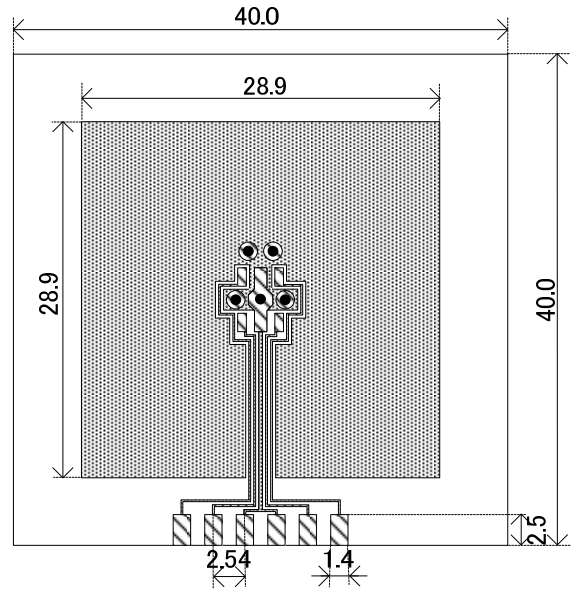


●SOT-89-5 Power Dissipation

Power dissipation data for the SOT-89-5 is shown in this page.
 The value of power dissipation varies with the mount board conditions.
 Please use this data as the reference data taken in the following condition.

1. Measurement Condition

- Condition: Mount on a board
- Ambient: Natural convection
- Soldering: Lead (Pb) free
- Board: Dimensions 40 x 40 mm (1600 mm² in one side)
 Copper (Cu) traces occupy 50% of the board area
 In top and back faces
 Package heat-sink is tied to the copper traces
- Material: Glass Epoxy (FR-4)
- Thickness: 1.6 mm
- Through-hole: 5 x 0.8 Diameter



Evaluation Board (unit: mm)

2. Power Dissipation vs. Ambient Temperature

Board Mount ($T_{jmax}=125^{\circ}\text{C}$)

| Ambient Temperature ($^{\circ}\text{C}$) | Power Dissipation P_d (mW) | Thermal Resistance ($^{\circ}\text{C}/\text{W}$) |
|--|------------------------------|--|
| 25 | 1300 | 76.92 |
| 85 | 520 | |



● **USP-6B Power Dissipation**

Power dissipation data for the USP-6B is shown in this page.
The value of power dissipation varies with the mount board conditions.
Please use this data as the reference data taken in the following condition.

1. Measurement Condition

- Condition: Mount on a board
- Ambient: Natural convection
- Soldering: Lead (Pb) free
- Board: Dimensions 40×40mm (1600mm² in one side)
Copper (Cu) traces occupy 50% of the board area
In top and back faces
Package heat-sink is tied to the copper traces
- Material: Glass Epoxy (FR-4)
- Thickness: 1.6mm
- Through-hole: 4 x 0.8 Diameter



Evaluation Board (unit: mm)

2. Power Dissipation vs. Ambient Temperature

Board Mount (T_{jmax}=125°C)

| Ambient Temperature (°C) | Power Dissipation Pd (mW) | Thermal Resistance (°C/W) |
|--------------------------|---------------------------|---------------------------|
| 25 | 1000 | 100.00 |
| 85 | 400 | |



MARKING RULE

● SOT-25 & SOT-89-5



SOT-25
(TOP VIEW)



SOT-89-5
(TOP VIEW)

① represents product series

| MARK | PRODUCT SERIES |
|------|----------------|
| 9 | XC6209xxxxxx |

② represents type of regulator

| MARK | | | | PRODUCT SERIES |
|----------------------------------|----------------------|-----------------------------------|------------------------|----------------|
| V _{OUT} 0.1V INCREMENTS | | V _{OUT} 0.05V INCREMENTS | | |
| VOLTAGE= 0.1~3.0V | VOLTAGE= 3.1~6.0V | VOLTAGE= 0.15~3.05V | VOLTAGE= 3.15~6.05V | |
| V | A | E | L | XC6209Axxxxx |
| X | B | F | M | XC6209Bxxxxx |
| Y | C | H | N | XC6209Cxxxxx |
| Z | D | K | P | XC6209Dxxxxx |
| <u>V</u> | <u>A</u> | <u>E</u> | <u>L</u> | XC6209Exxxxx |
| <u>X</u> | <u>B</u> | <u>F</u> | <u>M</u> | XC6209Fxxxxx |
| <u>Y</u> | <u>C</u> | <u>H</u> | <u>N</u> | XC6209Gxxxxx |
| <u>Z</u> | <u>D</u> | <u>K</u> | <u>P</u> | XC6209Hxxxxx |

③ represents integer of the output voltage

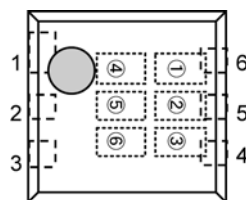
| MARK | OUTPUT VOLTAGE (V) | | | | MARK | OUTPUT VOLTAGE (V) | | | |
|------|--------------------|-----|------|------|------|--------------------|-----|------|------|
| 0 | - | 3.1 | - | 3.15 | F | 1.6 | 4.6 | 1.65 | 4.65 |
| 1 | - | 3.2 | - | 3.25 | H | 1.7 | 4.7 | 1.75 | 4.75 |
| 2 | - | 3.3 | - | 3.35 | K | 1.8 | 4.8 | 1.85 | 4.85 |
| 3 | - | 3.4 | - | 3.45 | L | 1.9 | 4.9 | 1.95 | 4.95 |
| 4 | - | 3.5 | - | 3.55 | M | 2.0 | 5.0 | 2.05 | 5.05 |
| 5 | - | 3.6 | - | 3.65 | N | 2.1 | 5.1 | 2.15 | 5.15 |
| 6 | - | 3.7 | - | 3.75 | P | 2.2 | 5.2 | 2.25 | 5.25 |
| 7 | - | 3.8 | - | 3.85 | R | 2.3 | 5.3 | 2.35 | 5.35 |
| 8 | 0.9 | 3.9 | 0.95 | 3.95 | S | 2.4 | 5.4 | 2.45 | 5.45 |
| 9 | 1.0 | 4.0 | 1.05 | 4.05 | T | 2.5 | 5.5 | 2.55 | 5.55 |
| A | 1.1 | 4.1 | 1.15 | 4.15 | U | 2.6 | 5.6 | 2.65 | 5.65 |
| B | 1.2 | 4.2 | 1.25 | 4.25 | V | 2.7 | 5.7 | 2.75 | 5.75 |
| C | 1.3 | 4.3 | 1.35 | 4.35 | X | 2.8 | 5.8 | 2.85 | 5.85 |
| D | 1.4 | 4.4 | 1.45 | 4.45 | Y | 2.9 | 5.9 | 2.95 | 5.95 |
| E | 1.5 | 4.5 | 1.55 | 4.55 | Z | 3.0 | 6.0 | 3.05 | - |

④ represents production lot number

0 to 9, A to Z reversed character of 0 to 9 and A to Z repeated
(G, I, J, O, Q, W excluded)

MARKING RULE (Continued)

● USP-6B



USP-6B
(TOP VIEW)

①, ② represents product series

| MARK | | PRODUCT SERIES |
|------|---|----------------|
| ① | ② | |
| 0 | 9 | XC6209AxxxDx |

③ represents type of regulator

| MARK | TYPE | PRODUCT SERIES |
|------|--|----------------|
| A | CE pin, Active High pull-down resistor built in | XC6209AxxxDx |
| B | CE pin, Active High no pull-down resistor built in | XC6209BxxxDx |
| C | CE pin, Active Low pull-up resistor built in | XC6209CxxxDx |
| D | CE pin, Active Low no pull-up resistor built in | XC6209DxxxDx |

④ represents integer of output voltage

| MARK | VOLTAGE (V) | PRODUCT SERIES |
|------|-------------|----------------|
| 3 | 3.X | XC6209x3xxDx |
| 5 | 5.X | XC6209x5xxDx |

⑤ represents decimal number of output voltage

| MARK | VOLTAGE (V) | PRODUCT SERIES | MARK | VOLTAGE (V) | PRODUCT SERIES |
|------|-------------|----------------|------|-------------|----------------|
| 0 | X.0 | XC6209xx0xDx | A | X.05 | XC6209xx0ADx |
| 1 | X.1 | XC6209xx1xDx | B | X.15 | XC6209xx1ADx |
| 2 | X.2 | XC6209xx2xDx | C | X.25 | XC6209xx2ADx |
| 3 | X.3 | XC6209xx3xDx | D | X.35 | XC6209xx3ADx |
| 4 | X.4 | XC6209xx4xDx | E | X.45 | XC6209xx4ADx |
| 5 | X.5 | XC6209xx5xDx | F | X.55 | XC6209xx5ADx |
| 6 | X.6 | XC6209xx6xDx | H | X.65 | XC6209xx6ADx |
| 7 | X.7 | XC6209xx7xDx | K | X.75 | XC6209xx7ADx |
| 8 | X.8 | XC6209xx8xDx | L | X.85 | XC6209xx8ADx |
| 9 | X.9 | XC6209xx9xDx | M | X.95 | XC6209xx9ADx |

⑥ Represents production lot number
0 to 9, A to Z repeated (G, I, J, O, Q, W excluded)
Note: No character inversion used.

1. The products and product specifications contained herein are subject to change without notice to improve performance characteristics. Consult us, or our representatives before use, to confirm that the information in this datasheet is up to date.
2. We assume no responsibility for any infringement of patents, patent rights, or other rights arising from the use of any information and circuitry in this datasheet.
3. Please ensure suitable shipping controls (including fail-safe designs and aging protection) are in force for equipment employing products listed in this datasheet.
4. The products in this datasheet are not developed, designed, or approved for use with such equipment whose failure or malfunction can be reasonably expected to directly endanger the life of, or cause significant injury to, the user.
(e.g. Atomic energy; aerospace; transport; combustion and associated safety equipment thereof.)
5. Please use the products listed in this datasheet within the specified ranges.
Should you wish to use the products under conditions exceeding the specifications, please consult us or our representatives.
6. We assume no responsibility for damage or loss due to abnormal use.
7. All rights reserved. No part of this datasheet may be copied or reproduced without the prior permission of TOREX SEMICONDUCTOR LTD.

TOREX SEMICONDUCTOR LTD.

Looking for pricing, stock, or lifecycle information?

Click below to explore more details on WIN SOURCE:

- ⊖ [View XC6209A122MR-G on WIN SOURCE](#)
- ⊖ [Torex Semiconductor Ltd Information](#)

Optimize Your Supply Chain with WIN SOURCE Solutions

- ✓ Global Sourcing Solution
- ✓ Obsolete Management
- ✓ Cost Control Management
- ✓ Shortage Management
- ✓ Alternative Solution
- ✓ Excess Inventory Management