



**THE DATASHEET OF
XC6219C312MRN**



300mA High Speed LDO Regulators with ON/OFF Switch

■ GENERAL DESCRIPTION

The XC6219 series are highly accurate, low noise, CMOS LDO Voltage Regulators. Offering low output noise, high ripple rejection ratio, low dropout and very fast turn-on times, the XC6219 series is ideal for today's cutting edge mobile phone. Internally the XC6219/XC6211 includes a reference voltage source, error amplifiers, driver transistors, current limiters and phase compensators. The XC6219/XC6211's current limiters' foldback circuit also operates as a short protect for the output current limiter and the output pin. The output voltage is set by laser trimming. Voltages are selectable in 50mV steps within a range of 0.9V to 5.0V. The XC6219 series is also fully compatible with low ESR ceramic capacitors, reducing cost and improving output stability. This high level of output stability is maintained even during frequent load fluctuations, due to the excellent transient response performance and high PSRR achieved across a broad range of frequencies. The CE function allows the output of regulator to be turned off, resulting in greatly reduced power consumption.

■ APPLICATIONS

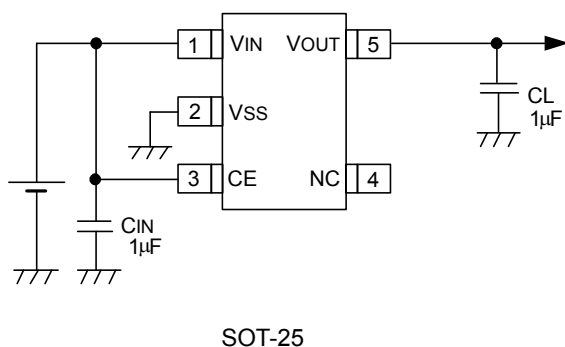
- Smart phones / Mobile phones
- Portable games
- Digital still cameras / Camcorders
- Reference voltage sources
- Multi-function power supplies

■ FEATURES

- Maximum Output Current** : 150mA ($V_{OUT} < 1.75V$, A~D type)
240mA ($V_{OUT} \geq 1.8V$, A~D type)
300mA ($V_{OUT} \geq 1.3V$, E~H type)
- Dropout Voltage** : 200mV @ 100mA
- Operating Voltage Range** : 2.0V ~ 6.0V
- Output Voltage Range** : 0.9V ~ 5.0V (0.05V steps)
- Highly Accuracy** : $\pm 2\%$ ($V_{OUT} > 1.5V$)
 $\pm 30mV$ ($V_{OUT} \leq 1.5V$)
 $\pm 1\%$ ($V_{OUT} \geq 3.0V$)
- Low Power Consumption** : 25 μA (TYP.)
- Standby Current** : Less than 0.1 μA (TYP.)
- High Ripple Rejection** : 65dB @ 10kHz
- Operating Ambient Temperature** : $-40^{\circ}C$ ~ $85^{\circ}C$
- Low ESR Capacitor** : Ceramic capacitor compatible
- Ultra Small Packages** : SOT-25
SOT-89-5
USP-6B
- Environmentally Friendly** : EU RoHS Compliant, Pb Free

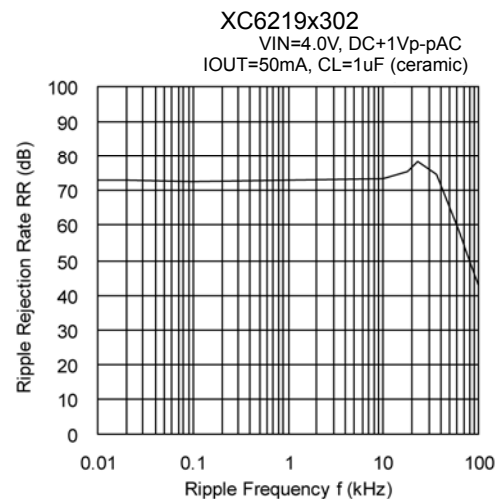
■ TYPICAL APPLICATION CIRCUIT

- XC6219 series



■ TYPICAL PERFORMANCE CHARACTERISTICS

- Ripple Rejection Rate



PIN CONFIGURATION



* The dissipation pad for the USP-6B package should be solder-plated in recommended mount pattern and metal masking so as to enhance mounting strength and heat release. If the pad needs to be connected to other pins, it should be connected to the VSS pin.

PIN ASSIGNMENT

| PIN NUMBER | | | PIN NAME | FUNCTIONS |
|------------|----------|--------|----------|------------------|
| SOT-25 | SOT-89-5 | USP-6B | | |
| 1 | 4 | 1 | VIN | Power Input |
| 2 | 2 | 5 | VSS | Ground |
| 3 | 3 | 6 | CE | ON / OFF Control |
| 4 | 1 | 2, 4 | NC | No Connection |
| 5 | 5 | 3 | VOUT | Output |

FUNCTION

TYPE A,E

| PIN NAME | SIGNAL | STATUS |
|----------|--------|----------|
| CE | L | Stand-by |
| | H | Active |
| | OPEN | Stand-by |

TYPE B,F

| PIN NAME | SIGNAL | STATUS |
|----------|--------|-----------------|
| CE | L | Stand-by |
| | H | Active |
| | OPEN | Undefined state |

TYPE C,G

| PIN NAME | SIGNAL | STATUS |
|----------|--------|----------|
| CE | L | Active |
| | H | Stand-by |
| | OPEN | Stand-by |

TYPE D,H

| PIN NAME | SIGNAL | STATUS |
|----------|--------|-----------------|
| CE | L | Active |
| | H | Stand-by |
| | OPEN | Undefined state |

*If XC6219 B,D,F,H types are used with the CE pin opened, the IC goes into "Undefined state".

The CE pin voltage should be fixed in low or high for stable operation.

■ PRODUCT CLASSIFICATION

● Ordering Information

XC6219 ①②③④⑤⑥-⑦^(*)

| DESIGNATOR | ITEM | SYMBOL | DESCRIPTION |
|------------|--------------------------|------------------|-------------------------------------------------------------------|
| ① | CE Pin Logic | A | 150mA, Active high, pull-down resistor built in (Semi-custom) |
| | | B | 150mA, Active high, no pull-down resistor built in (Standard) |
| | | C | 150mA, Active low, pull-up resistor built in (Semi-custom) |
| | | D | 150mA, Active low, no pull-up resistor built in (Semi-custom) |
| | | E | 300mA, Active high, pull-down resistor built in (Semi-custom) |
| | | F | 300mA, Active high, no pull-down resistor built in (Standard) |
| | | G | 300mA, Active low, pull-up resistor built in (Semi-custom) |
| | | H | 300mA, Active low, no pull-up resistor built in (Semi-custom) |
| ②③ | Output Voltage | 09~50 | e.g. ②=3, ③=0, → 3.0V |
| ④ | Output Voltage Accuracy | 2 ^(*) | 0.1V increments, ±2% accuracy e.g. ②=2, ③=8, ④=2 → 2.80V, ±2% |
| | | 1 ^(*) | 0.1V increments, ±1% accuracy e.g. ②=3, ③=0, ④=1 → 3.00V, ±1% |
| | | A ^(*) | 0.05V increments, ±2% accuracy e.g. ②=2, ③=8, ④=A → 2.85V, ±2% |
| | | B ^(*) | 0.05V increments, ±1% accuracy e.g. ②=3, ③=0, ④=B → 3.05V, ±1% |
| ⑤⑥-⑦ | Packages (Order Unit) | MR-G | SOT-25 (3,000/Reel) |
| | | PR-G | SOT-89-5 (1,000/Reel) |
| | | DR-G | USP-6B (3,000/Reel) |

^(*) The "-G" suffix denotes Halogen and Antimony free as well as being fully EU RoHS compliant.

⁽²⁾ Output voltage of the ±1% accuracy product is 3.0V or more.

⁽³⁾ Output voltage accuracy of the $V_{OUT} \leq 1.5V$ is ±30mV.

■ BLOCK DIAGRAM

XC6219 series Type A,E



XC6219 series Type B,D,F,H



XC6219 series Type C,G



*Diode inside the circuit are an ESD protection diode and a parasitic diode.

■ ABSOLUTE MAXIMUM RATINGS

Ta=25°C

| PARAMETER | | SYMBOL | RATINGS | UNITS |
|-------------------------------|----------------|-----------------------------------|-----------------------------------------------|-------|
| Input Voltage | | V _{IN} | 7 | V |
| Output Current | | I _{OUT} | 500 ^(*) | mA |
| Output Voltage | | V _{OUT} | V _{SS} - 0.3 ~ V _{IN} + 0.3 | V |
| CE Pin Voltage | | V _{CE} | V _{SS} - 0.3 ~ V _{IN} + 0.3 | V |
| Power Dissipation | SOT-25 | P _d | 250 | mW |
| | | | 600 (PCB mounted) ^(*) | |
| | SOT-89 | | 500 | |
| | | | 1300 (PCB mounted) ^(*) | |
| USP-6B | P _d | 120 | mW | |
| | | 1000 (PCB mounted) ^(*) | | |
| Operating Ambient Temperature | | T _{opr} | - 40 ~ + 85 | °C |
| Storage Temperature | | T _{stg} | - 55 ~ + 125 | °C |

All voltages are described based on the V_{SS} pin.

^(*) I_{OUT} ≤ P_d / (V_{IN} - V_{OUT})

^(*) The power dissipation figure shown is PCB mounted and is for reference only. Please refer to page 24~26 for details.

ELECTRICAL CHARACTERISTICS

●XC6219 Type A,B

Ta=25°C

| PARAMETER | SYMBOL | CONDITIONS | MIN. | TYP. | MAX. | UNITS | CIRCUIT |
|--------------------------------------------|---------------------------------------------------------------|---------------------------------------------------------------------------------------------------------------------------------------------------------------------------------------------|----------------------------------------------|-------------------------------------|----------------------------------------------|--------|---------|
| Output Voltage ^(*5) (2%) | V _{OUT(E)} ^(*3) | I _{OUT} =30mA | V _{OUT(T)} ^(*2) ×0.98 | V _{OUT(T)} ^(*2) | V _{OUT(T)} ^(*2) ×1.02 | V | ① |
| Output Voltage ^(*6) (1%) | | | V _{OUT(T)} ^(*2) ×0.99 | V _{OUT(T)} ^(*2) | V _{OUT(T)} ^(*2) ×1.01 | | |
| Maximum Output Current | I _{OUTMAX} | 0.9V ≤ V _{OUT(T)} ≤ 1.75V | 150 | - | - | mA | ① |
| | | 1.8V ≤ V _{OUT(T)} ≤ 5.0V | 240 | - | - | | |
| Load Regulation | ΔV _{OUT} | 1mA ≤ I _{OUT} ≤ 100mA | - | 15 | 50 | mV | ① |
| Dropout Voltage ^(*4) | V _{dif1} | I _{OUT} =30mA | - | E-1 | | mV | ① |
| | V _{dif2} | I _{OUT} =100mA | - | E-2 | | | |
| Supply Current (Type A) | I _{DD} | V _{CE} =V _{IN} =V _{OUT(T)} +1.0V | - | 28 | 55 | μA | ② |
| Supply Current (Type B) | | V _{OUT} ≤ 0.95V, V _{IN} =V _{CE} =2.0V | - | 25 | 50 | | |
| Stand-by Current | I _{STB} | V _{IN} =V _{OUT(T)} +1.0V, V _{CE} =V _{SS} V _{OUT} ≤ 0.95V, V _{IN} =2.0V | - | 0.01 | 0.10 | μA | ② |
| Line Regulation | ΔV _{OUT} / (ΔV _{IN} ·V _{OUT}) | V _{OUT(T)} +1.0V ≤ V _{IN} ≤ 6.0V V _{OUT} ≤ 0.95V, 2.0V ≤ V _{IN} ≤ 6.0V I _{OUT} =30mA V _{OUT} ≤ 1.75V, I _{OUT} =10mA | - | 0.01 | 0.20 | %/V | ① |
| Input Voltage | V _{IN} | - | 2 | - | 6 | V | - |
| Output Voltage Temperature Characteristics | ΔV _{OUT} / (ΔT _{opr} ·V _{OUT}) | I _{OUT} =30mA -40°C ≤ T _{opr} ≤ 85°C | - | ±100 | - | ppm/°C | ① |
| Power Supply Rejection Ratio | PSRR | V _{IN} =[V _{OUT(T)} +1.0]V+1.0V _{p-pAC} V _{OUT} ≤ 1.5, V _{IN} =2.5V+1.0V _{p-pAC} I _{OUT} =50mA, f=10kHz | - | E-3 | - | dB | ④ |
| Current Limiter | I _{lim} | V _{IN} =V _{OUT(T)} +2.0V, V _{CE} =V _{IN} 0.9V ≤ V _{OUT(T)} ≤ 1.75V | - | 300 | - | mA | ① |
| | | V _{IN} =V _{OUT(T)} +1.0V, V _{CE} =V _{IN} 1.8V ≤ V _{OUT(T)} ≤ 5.0V | 240 | 300 | - | | |
| Short Circuit Current | I _{SHORT} | V _{IN} =V _{OUT(T)} +1.0V, V _{CE} =V _{IN} V _{OUT} ≤ 1.75V, V _{IN} =V _{OUT(T)} +2.0V | - | 50 | - | mA | ① |
| CE 'High' Level Voltage | V _{CEH} | - | 1.6 | - | V _{IN} | V | ① |
| CE 'Low' Level Voltage | V _{CEL} | - | - | - | 0.25 | V | ① |
| CE 'High' Level Current (Type A) | I _{CEH} | V _{IN} =V _{CE} =V _{OUT(T)} +1.0V V _{OUT} ≤ 0.95V, V _{IN} =V _{CE} =2.0V | -0.10 | - | 5.0 | μA | ② |
| CE 'High' Level Current (Type B) | | | -0.10 | - | 0.10 | | |
| CE 'Low' Level Current | I _{CEL} | V _{IN} =V _{OUT(T)} +1.0V, V _{CE} =V _{SS} V _{OUT} ≤ 0.95V, V _{IN} =2.0V | -0.10 | - | 0.10 | μA | ② |

(*1) Unless otherwise stated, V_{IN}=V_{OUT(T)}+1.0V. If V_{OUT} is less than 0.95V, V_{IN}= 2.0V.

(*2) V_{OUT(T)} = Specified output voltage

(*3) V_{OUT(E)} = Effective output voltage

The output voltage when "V_{OUT(T)}+1.0V" is provided at the V_{IN} pin while maintaining a certain I_{OUT} value.

(*4) V_{dif}={V_{IN1}-V_{OUT1}}

V_{OUT1}=A voltage equal to 98% of the output voltage whenever an amply stabilized I_{OUT} {V_{OUT(T)}+1.0V} is input.

V_{IN1}=The Input Voltage when V_{OUT1} appears as Input Voltage is gradually decreased.

(*5) If V_{OUT(T)} is less than 1.45V, V_{OUT(T)}-30mV (MIN.), V_{OUT(T)}+ 30mV (MAX.)

(*6) Only for the V_{OUT(T)} is more than 3.0V products.

ELECTRICAL CHARACTERISTICS

●XC6219 Type C,D

Ta=25°C

| PARAMETER | SYMBOL | CONDITIONS | MIN. | TYP. | MAX. | UNITS | CIRCUIT |
|--------------------------------------------|---------------------------------------------------------------|---------------------------------------------------------------------------------------------------------------------------------------------------------------------------------------------|----------------------------------------------|-------------------------------------|----------------------------------------------|--------|---------|
| Output Voltage ^(*5) (2%) | V _{OUT(E)} ^(*3) | I _{OUT} =30mA | V _{OUT(T)} ^(*2) ×0.98 | V _{OUT(T)} ^(*2) | V _{OUT(T)} ^(*2) ×1.02 | V | ① |
| Output Voltage ^(*6) (1%) | | | V _{OUT(T)} ^(*2) ×0.99 | V _{OUT(T)} ^(*2) | V _{OUT(T)} ^(*2) ×1.01 | | |
| Maximum Output Current | I _{OUTMAX} | 0.9V ≤ V _{OUT(T)} ≤ 1.75V | 150 | - | - | mA | ① |
| | | 1.8V ≤ V _{OUT(T)} ≤ 5.0V | 240 | - | - | | |
| Load Regulation | ΔV _{OUT} | 1mA ≤ I _{OUT} ≤ 100mA | - | 15 | 50 | mV | ① |
| Dropout Voltage ^(*4) | V _{dif1} | I _{OUT} =30mA | - | E-1 | | mV | ① |
| | V _{dif2} | I _{OUT} =100mA | - | E-2 | | | |
| Supply Current (Type C) | I _{DD} | V _{IN} =V _{OUT(T)} +1.0V V _{OUT} ≤ 0.95V, V _{IN} =2.0V V _{CE} =V _{SS} | - | 28 | 55 | μA | ② |
| Supply Current (Type D) | | - | - | 25 | 50 | | |
| Stand-by Current | I _{STB} | V _{IN} =V _{OUT(T)} +1.0V, V _{CE} =V _{IN} V _{OUT} ≤ 0.95V, V _{IN} =V _{CE} =2.0V | - | 0.01 | 0.10 | μA | ② |
| Line Regulation | ΔV _{OUT} / (ΔV _{IN} ·V _{OUT}) | V _{OUT(T)} +1.0V ≤ V _{IN} ≤ 6.0V V _{OUT} ≤ 0.95V, 2.0V ≤ V _{IN} ≤ 6.0V I _{OUT} =30mA V _{OUT} ≤ 1.75V, I _{OUT} =10mA | - | 0.01 | 0.20 | %/V | ① |
| Input Voltage | V _{IN} | - | 2 | - | 6 | V | - |
| Output Voltage Temperature Characteristics | ΔV _{OUT} / (ΔT _{opr} ·V _{OUT}) | I _{OUT} =30mA -40°C ≤ T _{opr} ≤ 85°C | - | ±100 | - | ppm/°C | ① |
| Power Supply Rejection Ratio | PSRR | V _{IN} =[V _{OUT(T)} +1.0]V+1.0Vp-p _{AC} V _{OUT} ≤ 1.5, V _{IN} =2.5V+1.0Vp-p _{AC} I _{OUT} =50mA, f=10kHz | - | E-3 | - | dB | ④ |
| Current Limiter | I _{lim} | V _{IN} =V _{OUT(T)} +2.0V, V _{CE} =V _{SS} 0.9V ≤ V _{OUT(T)} ≤ 1.75V | - | 300 | - | mA | ① |
| | | V _{IN} =V _{OUT(T)} +1.0V, V _{CE} =V _{SS} 1.8V ≤ V _{OUT(T)} ≤ 5.0V | 240 | 300 | - | | |
| Short Circuit Current | I _{SHORT} | V _{IN} =V _{OUT(T)} +1.0V, V _{CE} =V _{IN} V _{OUT} ≤ 1.75V, V _{IN} =V _{OUT(T)} +2.0V | - | 50 | - | mA | ① |
| CE 'High' Level Voltage | V _{CEH} | - | 1.6 | - | V _{IN} | V | ① |
| CE 'Low' Level Voltage | V _{CEL} | - | - | - | 0.25 | V | ① |
| CE 'High' Level Current | I _{CEH} | V _{CE} =V _{IN} =V _{OUT(T)} +1.0V V _{OUT} ≤ 0.95V, V _{CE} =V _{IN} =2.0V | -0.10 | - | 0.10 | μA | ② |
| CE 'Low' Level Current (Type C) | I _{CEL} | V _{IN} =V _{OUT(T)} +1.0V, V _{CE} =V _{SS} V _{OUT} ≤ 0.95V, V _{IN} =2.0V | -5.0 | - | 0.10 | μA | ② |
| CE 'Low' Level Current (Type D) | | - | -0.10 | - | 0.10 | | |

(*1) Unless otherwise stated, V_{IN}=V_{OUT(T)}+1.0V. If V_{OUT} is less than 0.95V, V_{IN}= 2.0V.

(*2) V_{OUT(T)} = Specified output voltage

(*3) V_{OUT(E)} = Effective output voltage

The output voltage when "V_{OUT(T)}+1.0V" is provided at the V_{IN} pin while maintaining a certain I_{OUT} value.

(*4) V_{dif}={V_{IN1}-V_{OUT1}}

V_{OUT1}=A voltage equal to 98% of the output voltage whenever an amply stabilized I_{OUT} {V_{OUT(T)}+1.0V} is input.

V_{IN1}=The Input Voltage when V_{OUT1} appears as Input Voltage is gradually decreased.

(*5) If V_{OUT(T)} is less than 1.45V, V_{OUT(T)}-30mV (MIN.), V_{OUT(T)}+ 30mV (MAX.)

(*6) Only for the V_{OUT(T)} is more than 3.0V products.

ELECTRICAL CHARACTERISTICS

●XC6219 Type E,F

Ta=25°C

| PARAMETER | SYMBOL | CONDITIONS | MIN. | TYP. | MAX. | UNITS | CIRCUIT |
|--------------------------------------------|--------------------------------------------------------------|---------------------------------------------------------------------------------------------------------------------------------------------------------------------------------------------|----------------------------------------------|-------------------------------------|----------------------------------------------|--------|---------|
| Output Voltage ^(*5) (2%) | V _{OUT(E)} ^(*3) | I _{OUT} =30mA | V _{OUT(T)} ^(*2) ×0.98 | V _{OUT(T)} ^(*2) | V _{OUT(T)} ^(*2) ×1.02 | V | ① |
| Output Voltage ^(*6) (1%) | | | V _{OUT(T)} ^(*2) ×0.99 | | V _{OUT(T)} ^(*2) ×1.01 | | |
| Maximum Output Current | I _{OUTMAX} | V _{IN} =E-5 ^(*7) | E-4 | - | - | mA | ① |
| Load Regulation | ΔV _{OUT} | 1mA ≤ I _{OUT} ≤ 100mA | - | 15 | 50 | mV | ① |
| Load Regulation2 | ΔV _{OUT2} | 1mA ≤ I _{OUT} ≤ 300mA | - | - | 100 | mV | ① |
| Dropout Voltage ^(*4) | V _{dif1} | I _{OUT} =30mA | - | E-1 | | mV | ① |
| | V _{dif2} | I _{OUT} =100mA | - | E-2 | | | |
| Supply Current (Type E) | I _{DD} | V _{CE} =V _{IN} =V _{OUT(T)} +1.0V | - | 28 | 55 | μA | ② |
| Supply Current (Type F) | | V _{OUT} ≤ 0.95V, V _{CE} =V _{IN} =2.0V | - | 25 | 50 | | |
| Stand-by Current | I _{STB} | V _{IN} =V _{OUT(T)} +1.0V, V _{CE} =V _{SS} V _{OUT} ≤ 0.95V, V _{CE} =V _{IN} =2.0V | - | 0.01 | 0.10 | μA | ② |
| Line Regulation | ΔV _{OUT} / (ΔV _{IN} ·V _{OUT}) | V _{OUT(T)} +1.0V ≤ V _{IN} ≤ 6.0V V _{OUT} ≤ 0.95V, 2.0V ≤ V _{IN} ≤ 6.0V I _{OUT} =30mA V _{OUT} ≤ 1.75V, I _{OUT} =10mA | - | 0.01 | 0.20 | %/V | ① |
| Input Voltage | V _{IN} | - | 2 | - | 6 | V | - |
| Output Voltage Temperature Characteristics | ΔV _{OUT} / (ΔT _{OP} ·V _{OUT}) | I _{OUT} =30mA -40°C ≤ T _{OP} ≤ 85°C | - | ±100 | - | ppm/°C | ① |
| Power Supply Rejection Ratio | PSRR | V _{IN} =[V _{OUT(T)} +1.0]V+1.0Vp-p _{AC} V _{OUT} ≤ 1.5, V _{IN} =2.5V+1.0Vp-p _{AC} I _{OUT} =50mA, f=10kHz | - | 70 | - | dB | ④ |
| Current Limiter | I _{lim} | V _{IN} =V _{OUT(T)} +2.0V, V _{CE} =V _{IN} 0.9V ≤ V _{OUT(T)} ≤ 1.75V | - | 380 | - | mA | ① |
| | | V _{IN} =V _{OUT(T)} +1.0V, V _{CE} =V _{IN} 1.8V ≤ V _{OUT(T)} ≤ 5.0V | | | | | |
| Short Circuit Current | I _{SHORT} | V _{IN} =V _{OUT(T)} +1.0V, V _{CE} =V _{IN} V _{OUT} ≤ 1.75V, V _{IN} =V _{OUT(T)} +2.0V | - | 50 | - | mA | ① |
| CE 'High' Level Voltage | V _{CEH} | - | 1.6 | - | V _{IN} | V | ① |
| CE 'Low' Level Voltage | V _{CEL} | - | - | - | 0.25 | V | ① |
| CE 'High' Level Current (Type E) | I _{CEH} | V _{IN} =V _{CE} =V _{OUT(T)} +1.0V | -0.10 | - | 5.0 | μA | ② |
| CE 'High' Level Current (Type F) | | V _{OUT} ≤ 0.95V, V _{IN} =V _{CE} =2.0V | -0.10 | - | 0.10 | | |
| CE 'Low' Level Current | I _{CEL} | V _{IN} =V _{OUT(T)} +1.0V, V _{CE} =V _{SS} V _{OUT} ≤ 0.95V, V _{IN} =2.0V | -0.1 | - | 0.1 | μA | ② |

(*1) Unless otherwise stated, V_{IN}=V_{OUT(T)}+1.0V. If V_{OUT} is less than 0.95V, V_{IN}=2.0V.

(*2) V_{OUT(T)} = Specified output voltage

(*3) V_{OUT(E)} = Effective output voltage

The output voltage when "V_{OUT(T)}+1.0V" is provided at the V_{IN} pin while maintaining a certain I_{OUT} value.

(*4) V_{dif}={V_{IN1}-V_{OUT1}}

V_{OUT1}=A voltage equal to 98% of the output voltage whenever an amply stabilized I_{OUT} {V_{OUT(T)}+1.0V} is input.

V_{IN1}=The Input Voltage when V_{OUT1} appears as Input Voltage is gradually decreased.

(*5) If V_{OUT(T)} is less than 1.45V, V_{OUT(T)}-30mV (MIN.), V_{OUT(T)}+30mV (MAX.)

(*6) Only for the V_{OUT(T)} is more than 3.0V products.

(*7) Please refer to the "Voltage Chart" table.

ELECTRICAL CHARACTERISTICS

●XC6219 Type G,H

Ta=25°C

| PARAMETER | SYMBOL | CONDITIONS | MIN. | TYP. | MAX. | UNITS | CIRCUIT |
|--------------------------------------------|--------------------------------------------------------------|---------------------------------------------------------------------------------------------------------------------------------------------------------------------------------------------|-----------------------------------------------|--------------------------------------|-----------------------------------------------|--------|---------|
| Output Voltage ^(*)5) (2%) | V _{OUT(E)} ^(*)3) | I _{OUT} =30mA | V _{OUT(T)} ^(*)2) ×0.98 | V _{OUT(T)} ^(*)2) | V _{OUT(T)} ^(*)2) ×1.02 | V | ① |
| Output Voltage ^(*)6) (1%) | | | V _{OUT(T)} ^(*)2) ×0.99 | V _{OUT(T)} ^(*)2) | V _{OUT(T)} ^(*)2) ×1.01 | | |
| Maximum Output Current | I _{OUTMAX} | V _{IN} =E-5 ^(*)7) | E-4 | - | - | mA | ① |
| Load Regulation | ΔV _{OUT} | 1mA ≤ I _{OUT} ≤ 100mA | - | 15 | 50 | mV | ① |
| Load Regulation2 | ΔV _{OUT2} | 1mA ≤ I _{OUT} ≤ 300mA | - | - | 100 | mV | ① |
| Dropout Voltage ^(*)4) | V _{dif1} | I _{OUT} =30mA | - | E-1 | | mV | ① |
| | V _{dif2} | I _{OUT} =100mA | - | E-2 | | | |
| Supply Current (Type G) | I _{DD} | V _{CE} =V _{IN} =V _{OUT(T)} +1.0V V _{OUT} ≤ 0.95V, V _{IN} =2.0V | - | 28 | 55 | μA | ② |
| Supply Current (Type H) | | V _{CE} =V _{SS} | - | 25 | 50 | | |
| Stand-by Current | I _{STB} | V _{IN} =V _{OUT(T)} +1.0V, V _{CE} =V _{IN} V _{OUT} ≤ 0.95V, V _{CE} =V _{IN} =2.0V | - | 0.01 | 0.10 | μA | ② |
| Line Regulation | ΔV _{OUT} / (ΔV _{IN} ·V _{OUT}) | V _{OUT(T)} +1.0V ≤ V _{IN} ≤ 6.0V V _{OUT} ≤ 0.95V, 2.0V ≤ V _{IN} ≤ 6.0V I _{OUT} =30mA V _{OUT} ≤ 1.75V, I _{OUT} =10mA | - | 0.01 | 0.20 | %/V | ① |
| Input Voltage | V _{IN} | - | 2 | - | 6 | V | - |
| Output Voltage Temperature Characteristics | ΔV _{OUT} / (ΔT _{OP} ·V _{OUT}) | I _{OUT} =30mA -40°C ≤ T _{OP} ≤ 85°C | - | ±100 | - | ppm/°C | ① |
| Power Supply Rejection Ratio | PSRR | V _{IN} =[V _{OUT(T)} +1.0]V+1.0Vp-p _{AC} V _{OUT} ≤ 1.5, V _{IN} =2.5V+1.0Vp-p _{AC} I _{OUT} =50mA, f=10kHz | - | 70 | - | dB | ④ |
| Current Limiter | I _{lim} | V _{IN} =V _{OUT(T)} +2.0V, V _{CE} =V _{SS} 0.9V ≤ V _{OUT(T)} ≤ 1.75V | - | 380 | - | mA | ① |
| | | V _{IN} =V _{OUT(T)} +1.0V, V _{CE} =V _{SS} 1.8V ≤ V _{OUT(T)} ≤ 5.0V | | | | | |
| Short Circuit Current | I _{SHORT} | V _{IN} =V _{OUT(T)} +1.0V, V _{CE} =V _{SS} V _{OUT} ≤ 1.75V, V _{IN} =V _{OUT(T)} +2.0V | - | 50 | - | mA | ① |
| CE 'High' Level Voltage | V _{CEH} | - | 1.6 | - | V _{IN} | V | ① |
| CE 'Low' Level Voltage | V _{CEL} | - | - | - | 0.25 | V | ① |
| CE 'High' Level Current | I _{CEH} | V _{CE} =V _{IN} =V _{OUT(T)} +1.0V V _{OUT} ≤ 0.95V, V _{CE} =V _{IN} =2.0V | -0.10 | - | 0.10 | μA | ② |
| CE 'Low' Level Current (Type G) | I _{CEL} | V _{IN} =V _{OUT(T)} +1.0V, V _{CE} =V _{SS} | -5.0 | - | 0.10 | μA | ② |
| CE 'Low' Level Current (Type H) | | V _{OUT} ≤ 0.95V, V _{IN} =2.0V | -0.10 | - | 0.10 | | |

(*1) Unless otherwise stated, V_{IN}=V_{OUT(T)}+1.0V. If V_{OUT} is less than 0.95V, V_{IN}= 2.0V.

(*2) V_{OUT(T)} = Specified output voltage

(*3) V_{OUT(E)} = Effective output voltage

The output voltage when "V_{OUT(T)}+1.0V" is provided at the V_{IN} pin while maintaining a certain I_{OUT} value.

(*4) V_{dif}={V_{IN1}-V_{OUT1}}

V_{OUT1}=A voltage equal to 98% of the output voltage whenever an amply stabilized I_{OUT} {V_{OUT(T)}+1.0V} is input.

V_{IN1}=The Input Voltage when V_{OUT1} appears as Input Voltage is gradually decreased.

(*5) If V_{OUT(T)} is less than 1.45V, V_{OUT(T)}-30mV (MIN.), V_{OUT(T)}+ 30mV (MAX.)

(*6) Only for the V_{OUT(T)} is more than 3.0V products.

(*7) Please refer to the "Voltage Chart" table.

■ ELECTRICAL CHARACTERISTICS (Continued)

● Voltage Chart

| SYMBOL PARAMETER | E-0 | | | | E-1 | | E-2 | | E-3 |
|---------------------|-------------------------------|-------|-------------------------------|-----|------------------------------------------------------|------|-------------------------------------------------------|------|---------------------------------------|
| | OUTPUT VOLTAGE (2%) (V) | | OUTPUT VOLTAGE (1%) (V) | | DROPOUT VOLTAGE1 (mV) (I _{OUT} =30mA) | | DROPOUT VOLTAGE2 (mV) (I _{OUT} =100mA) | | Power Supply Rejection Ratio |
| OUTPUT VOLTAGE | | | | | Ta=25°C | | Ta=25°C | | Ta=25°C |
| V _{OUT(T)} | V _{OUT} | | V _{OUT} | | Vdif1 | | Vdif2 | | PSRR |
| | MIN | MAX | MIN | MAX | TYP | MAX | TYP | MAX | TYP |
| 0.90 | 0.870 | 0.930 | - | - | 1100 | 1110 | 1150 | 1200 | 65 |
| 0.95 | 0.920 | 0.980 | - | - | | | | | |
| 1.00 | 0.970 | 1.030 | - | - | 1000 | 1010 | 1050 | 1100 | |
| 1.05 | 1.020 | 1.080 | - | - | | | | | |
| 1.10 | 1.070 | 1.130 | - | - | 900 | 910 | 950 | 1000 | |
| 1.15 | 1.120 | 1.180 | - | - | | | | | |
| 1.20 | 1.170 | 1.230 | - | - | 800 | 810 | 850 | 900 | |
| 1.25 | 1.220 | 1.280 | - | - | | | | | |
| 1.30 | 1.270 | 1.330 | - | - | 700 | 710 | 750 | 800 | |
| 1.35 | 1.320 | 1.380 | - | - | | | | | |
| 1.40 | 1.370 | 1.430 | - | - | 600 | 610 | 650 | 700 | |
| 1.45 | 1.420 | 1.480 | - | - | | | | | |
| 1.50 | 1.470 | 1.530 | - | - | 500 | 510 | 550 | 600 | |
| 1.55 | 1.519 | 1.581 | - | - | | | | | |
| 1.60 | 1.568 | 1.632 | - | - | 400 | 410 | 500 | 550 | |
| 1.65 | 1.617 | 1.683 | - | - | | | | | |
| 1.70 | 1.666 | 1.734 | - | - | 300 | 310 | 400 | 450 | |
| 1.75 | 1.715 | 1.785 | - | - | | | | | |
| 1.80 | 1.764 | 1.836 | - | - | 200 | 210 | 300 | 400 | 70 |
| 1.85 | 1.813 | 1.887 | - | - | | | | | |
| 1.90 | 1.862 | 1.938 | - | - | 120 | 150 | 280 | 380 | |
| 1.95 | 1.911 | 1.989 | - | - | | | | | |
| 2.00 | 1.960 | 2.040 | - | - | 80 | 120 | 240 | 350 | |
| 2.05 | 2.009 | 2.091 | - | - | | | | 330 | |
| 2.10 | 2.058 | 2.142 | - | - | | | | | |
| 2.15 | 2.107 | 2.193 | - | - | | | | | |
| 2.20 | 2.156 | 2.244 | - | - | | | | | |
| 2.25 | 2.205 | 2.295 | - | - | | | | | |
| 2.30 | 2.254 | 2.346 | - | - | | | | | |
| 2.35 | 2.303 | 2.397 | - | - | | | | 310 | |
| 2.40 | 2.352 | 2.448 | - | - | | | | | |
| 2.45 | 2.401 | 2.499 | - | - | | | | | |
| 2.50 | 2.450 | 2.550 | - | - | 70 | 100 | 220 | 290 | |
| 2.55 | 2.499 | 2.601 | - | - | | | | | |
| 2.60 | 2.548 | 2.652 | - | - | | | | | |
| 2.65 | 2.597 | 2.703 | - | - | | | | | |
| 2.70 | 2.646 | 2.754 | - | - | | | | | |
| 2.75 | 2.695 | 2.805 | - | - | | | | | |
| 2.80 | 2.744 | 2.856 | - | - | | | | 270 | |
| 2.85 | 2.793 | 2.907 | - | - | | | | | |
| 2.90 | 2.842 | 2.958 | - | - | | | | | |
| 2.95 | 2.891 | 3.009 | - | - | | | | | |

■ ELECTRICAL CHARACTERISTICS (Continued)

● Voltage Chart

| SYMBOL | E-0 | | | | E-1 | | E-2 | | E-3 |
|---------------------|-------------------------------|-------|-------------------------------|-------|------------------------------------------------------|-----|-------------------------------------------------------|-----|---------------------------------------|
| PARAMETER | OUTPUT VOLTAGE (2%) (V) | | OUTPUT VOLTAGE (1%) (V) | | DROPOUT VOLTAGE1 (mV) (I _{OUT} =30mA) | | DROPOUT VOLTAGE2 (mV) (I _{OUT} =100mA) | | Power Supply Rejection Ratio |
| OUTPUT VOLTAGE | | | | | Ta=25°C | | Ta=25°C | | Ta=25°C |
| V _{OUT(T)} | V _{OUT} | | V _{OUT} | | Vdif1 | | Vdif2 | | PSRR |
| | MIN | MAX | MIN | MAX | TYP | MAX | TYP | MAX | TYP |
| 3.00 | 2.940 | 3.060 | 2.970 | 3.030 | 60 | 90 | 200 | 270 | 70 |
| 3.05 | 2.989 | 3.111 | 3.020 | 3.081 | | | | 250 | |
| 3.10 | 3.038 | 3.162 | 3.069 | 3.131 | | | | | |
| 3.15 | 3.087 | 3.213 | 3.119 | 3.182 | | | | | |
| 3.20 | 3.136 | 3.264 | 3.168 | 3.232 | | | | | |
| 3.25 | 3.185 | 3.315 | 3.218 | 3.283 | | | | | |
| 3.30 | 3.234 | 3.366 | 3.267 | 3.333 | | | | | |
| 3.35 | 3.283 | 3.417 | 3.317 | 3.384 | | | | | |
| 3.40 | 3.332 | 3.468 | 3.366 | 3.434 | | | | | |
| 3.45 | 3.381 | 3.519 | 3.416 | 3.485 | | | | | |
| 3.50 | 3.430 | 3.570 | 3.465 | 3.535 | | | | | |
| 3.55 | 3.479 | 3.621 | 3.515 | 3.586 | | | | | |
| 3.60 | 3.528 | 3.672 | 3.564 | 3.636 | | | | | |
| 3.65 | 3.577 | 3.723 | 3.614 | 3.687 | | | | | |
| 3.70 | 3.626 | 3.774 | 3.663 | 3.737 | | | | | |
| 3.75 | 3.675 | 3.825 | 3.713 | 3.788 | | | | | |
| 3.80 | 3.724 | 3.876 | 3.762 | 3.838 | | | | | |
| 3.85 | 3.773 | 3.927 | 3.812 | 3.889 | | | | | |
| 3.90 | 3.822 | 3.978 | 3.861 | 3.939 | | | | | |
| 3.95 | 3.871 | 4.029 | 3.911 | 3.990 | | | | | |
| 4.00 | 3.920 | 4.080 | 3.960 | 4.040 | 80 | 180 | 230 | | |
| 4.05 | 3.969 | 4.131 | 4.010 | 4.091 | | | | | |
| 4.10 | 4.018 | 4.182 | 4.059 | 4.141 | | | | | |
| 4.15 | 4.067 | 4.233 | 4.109 | 4.192 | | | | | |
| 4.20 | 4.116 | 4.284 | 4.158 | 4.242 | | | | | |
| 4.25 | 4.165 | 4.335 | 4.208 | 4.293 | | | | | |
| 4.30 | 4.214 | 4.386 | 4.257 | 4.343 | | | | | |
| 4.35 | 4.263 | 4.437 | 4.307 | 4.394 | | | | | |
| 4.40 | 4.312 | 4.488 | 4.356 | 4.444 | | | | | |
| 4.45 | 4.361 | 4.539 | 4.405 | 4.494 | | | | | |
| 4.50 | 4.410 | 4.590 | 4.455 | 4.545 | | | | | |
| 4.55 | 4.459 | 4.641 | 4.504 | 4.595 | | | | | |
| 4.60 | 4.508 | 4.692 | 4.554 | 4.646 | | | | | |
| 4.65 | 4.557 | 4.743 | 4.603 | 4.696 | | | | | |
| 4.70 | 4.606 | 4.794 | 4.653 | 4.747 | | | | | |
| 4.75 | 4.655 | 4.845 | 4.702 | 4.797 | | | | | |
| 4.80 | 4.704 | 4.896 | 4.752 | 4.848 | | | | | |
| 4.85 | 4.753 | 4.947 | 4.801 | 4.898 | | | | | |
| 4.90 | 4.802 | 4.998 | 4.851 | 4.949 | | | | | |
| 4.95 | 4.851 | 5.049 | 4.900 | 4.999 | | | | | |
| 5.00 | 4.900 | 5.100 | 4.950 | 5.050 | 50 | 70 | 160 | 210 | |

■ ELECTRICAL CHARACTERISTICS (Continued)

● Specification & Condition by Series

| SYMBOL | E-5 | E-4 |
|--------------------|-------------------|--------------------------|
| CONDITION, RATINGS | INPUT VOLTAGE (V) | MAX. OUTPUT CURRENT (mA) |
| OUTPUT VOLTAGE (V) | V_{IN} | MIN |
| 0.90~0.95 | 2.5 | 260 |
| 1.00~1.05 | 2.5 | 260 |
| 1.10~1.15 | 2.6 | 270 |
| 1.20~1.25 | 2.7 | 290 |
| 1.30~1.35 | 2.8 | 300 |
| 1.40~1.45 | 2.9 | |
| 1.50~1.95 | 3.0 | |
| 2.00~6.00 | $V_{OUT(T)}+1.0$ | |
| | | |

* $V_{OUT(T)}$ =Nominal output voltage

TEST CIRCUITS

Circuit ①



Circuit ②



Circuit ③



Circuit ④



*TEST CIRCUIT V_{CE} (CE Pin Voltage)

ACTIVE

XC6219 Type A,B,E,F: $V_{CE} = V_{IN}$

XC6219 Type C,D,G,H: $V_{CE} = V_{SS}$

STANDBY

XC6219 Type A,B,E,F: $V_{CE} = V_{SS}$

XC6219 Type C,D,G,H: $V_{CE} = V_{IN}$

OPERATIONAL EXPLANATION

<Output Voltage Control>

The voltage divided by resistors R1 & R2 is compared with the internal reference voltage by the error amplifier. The P-channel MOSFET, which is connected to the V_{OUT} pin, is then driven by the subsequent output signal. The output voltage at the V_{OUT} pin is controlled and stabilized by a system of negative feedback. The current limit circuit and short protect circuit operate in relation to the level of output current. Further, the IC's internal circuitry can be shutdown via the CE pin's signal



<Low ESR Capacitors>

With the XC6219 series, a stable output voltage is achievable even if used with low ESR capacitors as a phase compensation circuit is built-in. In order to ensure the effectiveness of the phase compensation, we suggest that an output capacitor (C_L) is connected as close as possible to the output pin (V_{OUT}) and the V_{SS} pin. Please use an output capacitor with a capacitance value of at least 1.0 μ F. Also, please connect an input capacitor (C_{IN}) of 1.0 μ F between the V_{IN} pin and the V_{SS} pin in order to ensure a stable power input.

Stable phase compensation may not be ensured if the capacitor runs out capacitance when depending on bias and temperature. In case the capacitor depends on the bias and temperature, please make sure the capacitor can ensure the actual capacitance.

<Current Limiter, Short-Circuit Protection>

The XC6219 series includes a combination of a fixed current limiter circuit & a foldback circuit, which aid the operations of the current limiter and circuit protection. When the load current reaches the current limit level, the fixed current limiter circuit operates and output voltage drops. As a result of this drop in output voltage, the foldback circuit operates, output voltage drops further and output current decreases. When the output pin is shorted, a current of about 50mA flows.

<CE Pin>

The IC's internal circuitry can be shutdown via the signal from the CE pin with the XC6219 series. In shutdown mode, output at the V_{OUT} pin will be pulled down to the V_{SS} level via R1 & R2. The operational logic of the IC's CE pin is selectable (please refer to the selection guide). Note that as the standard XC6219B type's regulator 1 and 2 are both 'High Active/No Pull-Down', operations will become unstable with the CE pin open. Although the CE pin is equal to an inverter input with CMOS hysteresis, with either the pull-up or pull-down options, the CE pin input current will increase when the IC is in operation. We suggest that you use this IC with either a V_{IN} voltage or a V_{SS} voltage input at the CE pin. If this IC is used with the correct specifications for the CE pin, the operational logic is fixed and the IC will operate normally. However, supply current may increase as a result of through current in the IC's internal circuitry.

NOTES ON USE

1. For temporary, transitional voltage drop or voltage rising phenomenon, the IC is liable to malfunction should the ratings be exceeded.
2. Where wiring impedance is high, operations may become unstable due to noise and/or phase lag depending on output current. Please keep the resistance low between V_{IN} and V_{SS} wiring in particular.
3. Please wire the input capacitor (C_{IN}) and the output capacitor (C_L) as close to the IC as possible.
4. The IC is controlled with constant current start-up. Start-up sequence control is requested to draw a load current after even nominal output voltage rising up the output voltage.
5. Torex places an importance on improving our products and their reliability.

We request that users incorporate fail-safe designs and post-aging protection treatment when using Torex products in their systems.

TYPICAL PERFORMANCE CHARACTERISTICS

(1) Output Voltage vs. Output Current



■ TYPICAL PERFORMANCE CHARACTERISTICS (Continued)

(2) Output Voltage vs. Input Voltage

XC6219x182



XC6219x182



XC6219x252



XC6219x252



XC6219x302



XC6219x302



TYPICAL PERFORMANCE CHARACTERISTICS (Continued)

(3) Dropout Voltage vs. Output Current



(4) Supply Current vs. Input Voltage



TYPICAL PERFORMANCE CHARACTERISTICS (Continued)

(4) Supply Current vs. Input Voltage (Continued)

XC6219x302



(5) Output Voltage vs. Ambient Temperature

XC6219x182



XC6219x252



XC6219x302



TYPICAL PERFORMANCE CHARACTERISTICS (Continued)

(6) Supply Current vs. Ambient Temperature



■ TYPICAL PERFORMANCE CHARACTERISTICS (Continued)

(7) Input Transient Response

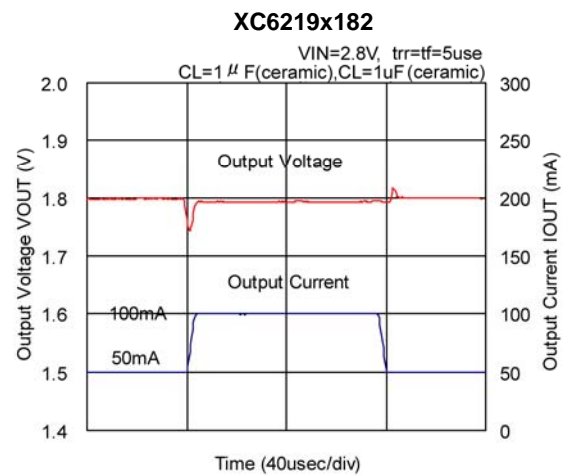
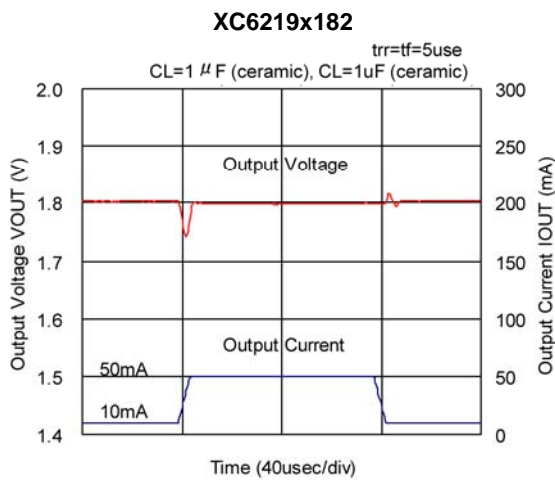


TYPICAL PERFORMANCE CHARACTERISTICS (Continued)

(7) Input Transient Response (Continued)



(8) Load Transient Response



■ TYPICAL PERFORMANCE CHARACTERISTICS (Continued)

(8) Load Transient Response (Continued)



TYPICAL PERFORMANCE CHARACTERISTICS (Continued)

(8) Load Transient Response (Continued)



(9) Ripple Rejection Rate



● SOT-25 Power Dissipation

Power dissipation data for the SOT-25 is shown in this page.
The value of power dissipation varies with the mount board conditions.
Please use this data as the reference data taken in the following condition.

1. Measurement Condition

| | |
|-------------------|--------------------------------------------------------------------------------------------------------------------------|
| Condition: | Mount on a board |
| Ambient: | Natural convection |
| Soldering: | Lead (Pb) free |
| Board Dimensions: | 40 x 40 mm (1600 mm ² in one side) |
| Metal Area : | Copper (Cu) traces occupy 50% of the board area in top and back faces. Package heat-sink is tied to the copper traces |
| Material: | Glass Epoxy (FR-4) |
| Thickness: | 1.6 mm |
| Through-hole: | 4 x 0.8 Diameter |



Evaluation Board (Unit: mm)

2. Power Dissipation vs. Ambient Temperature (85°C)

Board Mount (Tjmax=125°C)

| Ambient Temperature (°C) | Power Dissipation Pd (mW) | Thermal Resistance (°C/W) |
|--------------------------|---------------------------|---------------------------|
| 25 | 600 | 166.67 |
| 85 | 240 | |



● **SOT-89-5 Power Dissipation**

Power dissipation data for the SOT-89-5 is shown in this page.
The value of power dissipation varies with the mount board conditions.
Please use this data as the reference data taken in the following condition.

1. Measurement Condition

Condition: Mount on a board
 Ambient: Natural convection
 Soldering: Lead (Pb) free
 Board Dimensions: 40 x 40 mm (1600 mm² in one side)
 Metal Area : Copper (Cu) traces occupy 50% of the board area in top and back faces.
 Package heat-sink is tied to the copper traces
 Material: Glass Epoxy (FR-4)
 Thickness: 1.6 mm
 Through-hole: 5 x 0.8 Diameter



Evaluation Board (Unit: mm)

2. Power Dissipation vs. Ambient Temperature (85°C)

Board Mount (Tjmax=125°C)

| Ambient Temperature (°C) | Power Dissipation Pd (mW) | Thermal Resistance (°C/W) |
|--------------------------|---------------------------|---------------------------|
| 25 | 1300 | 76.92 |
| 85 | 520 | |



● USP-6B Power Dissipation

Power dissipation data for the USP-6B is shown in this page.
The value of power dissipation varies with the mount board conditions.
Please use this data as the reference data taken in the following condition.

1. Measurement Condition

| | |
|-------------------|--------------------------------------------------------------------------------------------------------------------------|
| Condition: | Mount on a board |
| Ambient: | Natural convection |
| Soldering: | Lead (Pb) free |
| Board Dimensions: | 40 x 40 mm (1600 mm ² in one side) |
| Metal Area: | Copper (Cu) traces occupy 50% of the board area in top and back faces. Package heat-sink is tied to the copper traces |
| Material: | Glass Epoxy (FR-4) |
| Thickness: | 1.6 mm |
| Through-hole: | 4 x 0.8 Diameter |



Evaluation Board (Unit: mm)

2. Power Dissipation vs. Ambient Temperature

Board Mount ($T_j \text{ max} = 125^\circ\text{C}$)

| Ambient Temperature (°C) | Power Dissipation Pd (mW) | Thermal Resistance(°C/W) |
|--------------------------|---------------------------|--------------------------|
| 25 | 1000 | 100.00 |
| 85 | 400 | |



MARKING RULE

● SOT-25, SOT-89-5



① represents product series

| MARK | PRODUCT SERIES |
|------|----------------|
| L | XC6219xxxxxx |

② represents type of regulator

| MARK | | | | PRODUCT SERIES |
|-----------------------------------|----------------------------|----------------------------------|------------------------------|----------------|
| V _{OUT} 100mV INCREMENTS | | V _{OUT} 50mV INCREMENTS | | |
| V _{OUT} :0.1~3.0V | V _{OUT} :3.1~6.0V | V _{OUT} :0.15~3.05V | V _{OUT} :3.15~6.05V | |
| V | A | E | L | XC6219Axxxxx |
| X | B | F | M | XC6219Bxxxxx |
| Y | C | H | N | XC6219Cxxxxx |
| Z | D | K | P | XC6219Dxxxxx |
| <u>V</u> | <u>A</u> | <u>E</u> | <u>L</u> | XC6219Exxxxx |
| <u>X</u> | <u>B</u> | <u>F</u> | <u>M</u> | XC6219Fxxxxx |
| <u>Y</u> | <u>C</u> | <u>H</u> | <u>N</u> | XC6219Gxxxxx |
| <u>Z</u> | <u>D</u> | <u>K</u> | <u>P</u> | XC6219Hxxxxx |

③ represents output voltage

| MARK | OUTPUT VOLTAGE (V) | | | | MARK | OUTPUT VOLTAGE (V) | | | |
|------|--------------------|-----|------|------|------|--------------------|-----|------|------|
| | - | 3.1 | - | 3.15 | | - | 1.6 | 4.6 | 1.65 |
| 0 | - | 3.1 | - | 3.15 | F | 1.6 | 4.6 | 1.65 | 4.65 |
| 1 | - | 3.2 | - | 3.25 | H | 1.7 | 4.7 | 1.75 | 4.75 |
| 2 | - | 3.3 | - | 3.35 | K | 1.8 | 4.8 | 1.85 | 4.85 |
| 3 | - | 3.4 | - | 3.45 | L | 1.9 | 4.9 | 1.95 | 4.95 |
| 4 | - | 3.5 | - | 3.55 | M | 2.0 | 5.0 | 2.05 | - |
| 5 | - | 3.6 | - | 3.65 | N | 2.1 | - | 2.15 | - |
| 6 | - | 3.7 | - | 3.75 | P | 2.2 | - | 2.25 | - |
| 7 | - | 3.8 | - | 3.85 | R | 2.3 | - | 2.35 | - |
| 8 | 0.9 | 3.9 | 0.95 | 3.95 | S | 2.4 | - | 2.45 | - |
| 9 | 1.0 | 4.0 | 1.05 | 4.05 | T | 2.5 | - | 2.55 | - |
| A | 1.1 | 4.1 | 1.15 | 4.15 | U | 2.6 | - | 2.65 | - |
| B | 1.2 | 4.2 | 1.25 | 4.25 | V | 2.7 | - | 2.75 | - |
| C | 1.3 | 4.3 | 1.35 | 4.35 | X | 2.8 | - | 2.85 | - |
| D | 1.4 | 4.4 | 1.45 | 4.45 | Y | 2.9 | - | 2.95 | - |
| E | 1.5 | 4.5 | 1.55 | 4.55 | Z | 3.0 | - | 3.05 | - |

④ represents production lot number

0 to 9, A to Z reverse character of 0 to 9, A to Z repeated (G, I, J, O, Q, W excluded)

MARKING RULE (Continued)

● USP-6B



USP-6B
(TOP VIEW)

①② represents product series

| MARK | | PRODUCT SERIES |
|------|---|----------------|
| ① | ② | |
| 1 | 9 | XC6219xxxxDx |

③ represents type of regulator

| MARK | TYPE | PRODUCT SERIES |
|------|--------------------------------------------------------|----------------|
| A | High Active, pull-down resistor built-in (semi-custom) | XC6219AxxxMx |
| B | High Active, no pull-down resistor built-in (standard) | XC6219BxxxMx |
| C | Low Active, pull-up resistor built-in (semi-custom) | XC6219CxxxMx |
| D | Low Active, no pull-up resistor built-in (semi-custom) | XC6219DxxxMx |
| E | High Active, pull-down resistor built-in (semi-custom) | XC6219ExxxDx |
| F | High Active, no pull-down resistor built-in (standard) | XC6219FxxxDx |
| Z | Low Active, pull-up resistor built-in (semi-custom) | XC6219GxxxDx |
| H | Low Active, no pull-up resistor built-in (semi-custom) | XC6219HxxxDx |

④ represents product series

| MARK | VOLTAGE (V) | PRODUCT SERIES |
|------|-------------|----------------|
| 3 | 3.X | XC6219x3xxDx |
| 5 | 5.X | XC6219x5xxDx |

⑤ represents output voltage

| MARK | VOLTAGE | PRODUCT SERIES | SYMBOL | VOLTAGE | PRODUCT SERIES |
|------|---------|----------------|--------|---------|----------------|
| 0 | X.0 | XC6219xx0xDx | A | X.05 | XC6219xx0ADx |
| 1 | X.1 | XC6219xx1xDx | B | X.15 | XC6219xx1ADx |
| 2 | X.2 | XC6219xx2xDx | C | X.25 | XC6219xx2ADx |
| 3 | X.3 | XC6219xx3xDx | D | X.35 | XC6219xx3ADx |
| 4 | X.4 | XC6219xx4xDx | E | X.45 | XC6219xx4ADx |
| 5 | X.5 | XC6219xx5xDx | F | X.55 | XC6219xx5ADx |
| 6 | X.6 | XC6219xx6xDx | H | X.65 | XC6219xx6ADx |
| 7 | X.7 | XC6219xx7xDx | K | X.75 | XC6219xx7ADx |
| 8 | X.8 | XC6219xx8xDx | L | X.85 | XC6219xx8ADx |
| 9 | X.9 | XC6219xx9xDx | M | X.95 | XC6219xx9ADx |

⑥ represents production lot number

0 to 9, A to Z repeated (G, I, J, O, Q, W excluded)

* No character inversion used.

1. The products and product specifications contained herein are subject to change without notice to improve performance characteristics. Consult us, or our representatives before use, to confirm that the information in this datasheet is up to date.
2. We assume no responsibility for any infringement of patents, patent rights, or other rights arising from the use of any information and circuitry in this datasheet.
3. Please ensure suitable shipping controls (including fail-safe designs and aging protection) are in force for equipment employing products listed in this datasheet.
4. The products in this datasheet are not developed, designed, or approved for use with such equipment whose failure or malfunction can be reasonably expected to directly endanger the life of, or cause significant injury to, the user.
(e.g. Atomic energy; aerospace; transport; combustion and associated safety equipment thereof.)
5. Please use the products listed in this datasheet within the specified ranges.
Should you wish to use the products under conditions exceeding the specifications, please consult us or our representatives.
6. We assume no responsibility for damage or loss due to abnormal use.
7. All rights reserved. No part of this datasheet may be copied or reproduced without the prior permission of TOREX SEMICONDUCTOR LTD.

TOREX SEMICONDUCTOR LTD.

Looking for pricing, stock, or lifecycle information?

Click below to explore more details on WIN SOURCE:

- ⊖ [View XC6219C312MRN on WIN SOURCE](#)
- ⊖ [Torex Semiconductor Ltd Information](#)

Optimize Your Supply Chain with WIN SOURCE Solutions

- ✓ Global Sourcing Solution
- ✓ Obsolete Management
- ✓ Cost Control Management
- ✓ Shortage Management
- ✓ Alternative Solution
- ✓ Excess Inventory Management