



**THE DATASHEET OF  
XC6221B1317R-G**



## Low ESR Caps Compatible High Speed LDO Voltage Regulator with ON/OFF Switch

## GENERAL DESCRIPTION

The XC6221 series is a high accuracy, low noise, high speed, low dropout CMOS regulator with high ripple rejection. The series includes a reference voltage source, an error amplifier, a current limiter, and a phase compensation circuit.

The CE function enables the entire circuit to be in stand-by state by inputting low level signal. As for the XC6221B/D stand-by mode, the electric charge at the output capacitor ( $C_L$ ) will be discharged by the internal auto-discharge switch, and as a result the  $V_{OUT}$  pin quickly returns to the  $V_{SS}$  level. The output stabilization capacitor ( $C_L$ ) is also compatible with low ESR ceramic capacitors.

Output voltage is selectable in 0.05V increments within a range of 0.80V~5.00V, using the laser trimming technology set in factory.

The current limiter's fold-back circuit also operates as a short circuit protection and an output current limiter at the output pin. The series achieves a fast response with only 25  $\mu$ A of low power consumption. Also the series has low dropout voltage characteristics, which is 80mV at  $I_{OUT}=100$ mA and  $V_{OUT}=3.0$ V.

With the use of small USP-4 and ultra small USPN-4 packages, a small footprint circuit can be designed.

## APPLICATIONS

Smart phones / Mobile phones

Portable game consoles

Digital still cameras / Camcorders

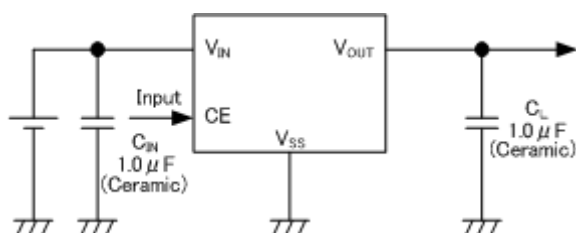
Digital audio equipments

Mobile devices / terminals

## FEATURES

|                                      |  |
|--------------------------------------|--|
| <b>Maximum Output Current</b>        | : 200mA <Up to 250mA (TYP.)>   |
| <b>Dropout Voltage</b>               | : 80mV@ $I_{OUT}=100$ mA, $V_{OUT}=3.0$ V  |
| <b>Operating Voltage Range</b>       | : 1.6V ~ 6.0V  |
| <b>Output Voltage Range</b>          | : 0.80V~5.00V (0.05V increments)   |
| <b>Accuracy</b>                      | : $\pm 2\%$ ( $V_{OUT} \geq 1.50$ V) (Standard)<br>$\pm 30$ mV ( $V_{OUT} = 1.45$ V) (Standard)<br>$\pm 1\%$ ( $V_{OUT} \geq 2.00$ V) (High Accuracy)<br>$\pm 20$ mV ( $V_{OUT} = 1.95$ V) (High Accuracy) |
| <b>Low Power Consumption</b>         | : 25 $\mu$ A (TYP.)  |
| <b>Stand-by Current</b>              | : Less than 0.1 $\mu$ A  |
| <b>High Ripple Rejection</b>         | : 70dB @ 1kHz  |
| <b>CE Function</b>                   | : CE Active High<br>Standby current below 0.1 $\mu$ A<br>$C_L$ High-Speed Auto-Discharge (XC6221B/D)<br>CE Pin internally pulled-down (XC6221C/D)  |
| <b>Low ESR Capacitor</b>             | : 1.0 $\mu$ F ceramic capacitor  |
| <b>Low Output Noise</b>              |  |
| <b>Operating Ambient Temperature</b> | : -40 ~ +85  |
| <b>Packages</b>                      | : USP-4, SOT-25, SSOT-24<br>USPN-4   |
| <b>Environmentally Friendly</b>      | : EU RoHS Compliant, Pb Free   |

## TYPICAL APPLICATION CIRCUIT



## TYPICAL PERFORMANCE CHARACTERISTICS

## Load Transient Response



## PIN CONFIGURATION



\*It is recommended that the heat dissipation pad of the USP-4 package is soldered by using the reference mount pattern and metal mask pattern for mounting strength. The mount pattern should be electrically opened or connected to the  $V_{SS}$  (No.2) pin.

## PIN ASSIGNMENT

| PIN NUMBER |        |         |        | PIN NAME  | FUNCTIONS      |
|------------|--------|---------|--------|-----------|----------------|
| USP-4      | SOT-25 | SSOT-24 | USPN-4 |           |                |
| 4          | 1      | 4       | 4      | $V_{IN}$  | Power Input    |
| 1          | 5      | 3       | 1      | $V_{OUT}$ | Output         |
| 2          | 2      | 2       | 2      | $V_{SS}$  | Ground         |
| 3          | 3      | 1       | 3      | CE        | ON/OFF Control |
| -          | 4      | -       | -      | NC        | No Connection  |

## CE PIN LOGIC CONDITION

| PIN NAME | DESIGNATOR | CONDITIONS                   |
|----------|------------|------------------------------|
| CE       | H          | $1.2V \leq V_{CE} \leq 6.0V$ |
|          | L          | $V_{CE} \leq 0.3V$           |

\*  $V_{CE}$  : CE pin voltage

## PIN FUNCTION ASSIGNMENT

XC6221A/B (CE no pull-down resistor)

| CE LEVEL | IC OPERATION    |
|----------|-----------------|
| HIGH     | ON              |
| LOW      | OFF             |
| OPEN     | Undefined state |

XC6221C/D (CE pull-down resistor)

| CE LEVEL | IC OPERATION |
|----------|--------------|
| HIGH     | ON           |
| LOW      | OFF          |
| OPEN     |              |

## PRODUCT CLASSIFICATION

Ordering Information

XC6221 \_\_\_\_\_ - (\*)

| DESIGNATOR | ITEM                     | SYMBOL  | DESCRIPTION   |
|------------|--------------------------|---------|---|
|            | Type of Regulator        | A       | No CE pull-down resistor without C <sub>L</sub> auto discharge                                      |
|            |                          | B       | No CE pull-down resistor with C <sub>L</sub> auto discharge   |
|            |                          | C       | CE pull-down resistor without C <sub>L</sub> auto discharge   |
|            |                          | D       | CE pull-down resistor with C <sub>L</sub> auto discharge  |
|            | Output Voltage           | 08 ~ 50 | ex.) V <sub>OUT</sub> = 3.00V = 3, = 0  |
|            | Output Accuracy          | 2       | +30mV @ 0.80V V <sub>OUT</sub> 1.40V<br>When 0.1V steps such as V <sub>OUT</sub> =0.80V =0, =8, =2  |
|            |                          |         | +2% @ V <sub>OUT</sub> ≥1.50V<br>When 0.1V steps such as V <sub>OUT</sub> =3.00V =3, =0, =2         |
|            |                          | A       | +30mV @ 0.85V V <sub>OUT</sub> 1.45V<br>When 0.05V steps such as V <sub>OUT</sub> =0.85V =0, =8, =A |
|            |                          |         | +2% @ V <sub>OUT</sub> ≥1.55V<br>When 0.05V steps such as V <sub>OUT</sub> =3.05V =3, =0, =A        |
|            |                          | 1       | +20mV @ 0.80V V <sub>OUT</sub> 1.90V<br>When 0.1V steps such as V <sub>OUT</sub> =0.80V =0, =8, =1  |
|            |                          |         | +1% @ V <sub>OUT</sub> ≥2.00V<br>When 0.1V steps such as V <sub>OUT</sub> = 3.00V =3, =0, =1        |
|            |                          | B       | +20mV @ 0.85V V <sub>OUT</sub> 1.95V<br>When 0.05V steps such as V <sub>OUT</sub> =0.85V =0, =8, =B |
|            |                          |         | +1% @ V <sub>OUT</sub> ≥2.00V<br>When 0.05V steps such as V <sub>OUT</sub> = 3.05V =3, =0, =B       |
| - (*)      | Packages<br>(Order Unit) | GR      | USP-4 (3,000/Reel)  |
|            |                          | GR-G    | USP-4 (3,000/Reel)  |
|            |                          | MR      | SOT-25 (3,000/Reel)   |
|            |                          | MR-G    | SOT-25 (3,000/Reel)   |
|            |                          | NR      | SSOT-24 (3,000/Reel)  |
|            |                          | NR-G    | SSOT-24 (3,000/Reel)  |
|            |                          | 7R-G    | USPN-4 (5,000/Reel)   |

(\*) The "-G" suffix indicates that the products are Halogen and Antimony free as well as being fully EU RoHS compliant.

(\*) The range of the output voltage of USPN-4 package is 1.20V V<sub>OUT</sub> 5.00V.

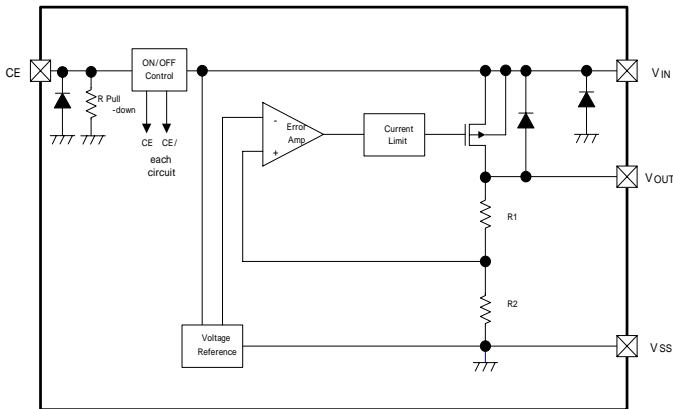
## BLOCK DIAGRAMS



XC6221A Series



XC6221B Series



XC6221C Series



XC6221D Series

\*Diodes inside the circuit are an ESD protection diode and a parasitic diode.

## ABSOLUTE MAXIMUM RATINGS

| Ta=25                         |           |                                  |                                   |    |     |
|-------------------------------|-----------|----------------------------------|-----------------------------------|----|-----|
| PARAMETER                     | SYMBOL    | RATINGS                          | UNITS                             |    |     |
| Input Voltage                 | $V_{IN}$  | $V_{SS} - 0.3 \sim +6.5$         | V                                 |    |     |
| Output Current                | $I_{OUT}$ | 400 <sup>(*1)</sup>              | mA                                |    |     |
| Output Voltage                | $V_{OUT}$ | $V_{SS} - 0.3 \sim V_{IN} + 0.3$ | V                                 |    |     |
| CE Input Voltage              | $V_{CE}$  | $V_{SS} - 0.3 \sim +6.5$         | V                                 |    |     |
| Power Dissipation             | USP-4     | Pd                               | 120                               | mW |     |
|                               |           |                                  | 1000(PCB mounted) <sup>(*2)</sup> |    |     |
|                               |           |                                  | SOT-25                            |    | 250 |
|                               |           |                                  | 600(PCB mounted) <sup>(*2)</sup>  |    |     |
|                               |           |                                  | SSOT-24                           |    | 150 |
| USPN-4                        | Pd        | 100                              | mW                                |    |     |
|                               |           | 600(PCB mounted) <sup>(*2)</sup> |                                   |    |     |
| Operating Ambient Temperature | $T_{opr}$ | - 40 ~ + 85                      |                                   |    |     |
| Storage Temperature           | $T_{stg}$ | - 55 ~ +125                      |                                   |    |     |

\*1  $I_{OUT} = Pd / (V_{IN} - V_{OUT})$

\*2 These values are example data which is taken with the PCB mounted. Please refer to pages 21 to 24 for details.

## ELECTRICAL CHARACTERISTICS

XC6221A/B/C/D series

Ta=25

| PARAMETER                                    | SYMBOL  | CONDITIONS  | MIN.                       | TYP.                         | MAX.                   | UNITS   | CIRCUIT |
|--|---|---|----------------------------|------------------------------|------------------------|---------|---------|
| Output Voltage (Standard)                    | $V_{OUT(E)}$ <sup>(*2)</sup>                            | $1.50V \leq V_{OUT(T)}$ , $V_{CE}=V_{IN}$ , $I_{OUT}=10mA$  | x 0.98 <sup>(*3)</sup>     | $V_{OUT(T)}$ <sup>(*4)</sup> | x 1.02 <sup>(*3)</sup> | V       |         |
|  |   | $V_{OUT(T)} \leq 1.45V$ , $V_{CE}=V_{IN}$ , $I_{OUT}=10mA$  | -0.03 <sup>(*3)</sup>      |                              | +0.03 <sup>(*3)</sup>  |         |         |
| Output Voltage (High Accuracy)               | $V_{OUT(E)}$ <sup>(*2)</sup>                            | $2.00V \leq V_{OUT(T)}$ , $V_{CE}=V_{IN}$ , $I_{OUT}=10mA$  | x 0.99 <sup>(*3)</sup>     | $V_{OUT(T)}$ <sup>(*4)</sup> | x 1.01 <sup>(*3)</sup> | V       |         |
|  |   | $V_{OUT(T)} \leq 1.95V$ , $V_{CE}=V_{IN}$ , $I_{OUT}=10mA$  | -0.02 <sup>(*3)</sup>      |                              | +0.02 <sup>(*3)</sup>  |         |         |
| Output Current                               | $I_{OUTMAX}$  | $V_{CE}=V_{IN}$ , $V_{IN}=V_{OUT(T)}+1.0V$ ,<br>$0.80V \leq V_{OUT(T)} \leq 5.00V$  | 200                        | 250                          | -                      | mA      |         |
| Load Regulation                              | $\Delta V_{OUT}$  | $V_{CE}=V_{IN}$ , $0.1mA \leq I_{OUT} \leq 100mA$   | -                          | 10                           | 40                     | mV      |         |
| Dropout Voltage <sup>(*5)</sup>              | Vdif  | $V_{CE}=V_{IN}$ , $I_{OUT}=100mA$   | Refer to the voltage chart |                              |                        | mV      |         |
| Supply Current                               | $I_{DD}$  | $V_{CE}=V_{IN}$ , $V_{IN}=V_{OUT(T)}+1.0V$  | -                          | 25                           | 50                     | $\mu A$ |         |
| Standby Current                              | $I_{STB}$   | $V_{IN}=6.0V$ , $V_{CE}=V_{SS}$   | -                          | 0.01                         | 0.10                   | $\mu A$ |         |
| Line Regulation                              | $\frac{\Delta V_{OUT}}{(\Delta V_{IN} \cdot V_{OUT})}$  | $V_{OUT(T)}+0.5V$ $V_{IN} 6.0V$<br>$1.10V \leq V_{OUT(T)}$ , $V_{CE}=V_{IN}$ , $I_{OUT}=10mA$                                     | -                          | 0.01                         | 0.20                   | %V      |         |
|  |   | $1.6V \leq V_{IN} \leq 6.0V$<br>$V_{OUT(T)} \leq 1.05V$ , $V_{CE}=V_{IN}$ , $I_{OUT}=10mA$  |                            |                              |                        |         |         |
| Input Voltage                                | $V_{IN}$  |   | 1.6                        | -                            | 6.0                    | V       |         |
| Output Voltage Temperature Characteristics   | $\frac{\Delta V_{OUT}}{(\Delta T_{opr} \cdot V_{OUT})}$ | $V_{CE}=V_{IN}$ ,<br>$I_{OUT}=30mA$ , $-40 \leq T_{opr} \leq 85$  | -                          | $\pm 100$                    | -                      | ppm/    |         |
| Ripple Rejection Rate                        | PSRR  | $V_{IN}=5.75V_{DC}+0.5V_{p-pAC}$<br>$4.75V \leq V_{OUT(T)}$<br>$V_{CE}=V_{IN}$ , $I_{OUT}=30mA$ , $f=1kHz$                        | -                          | 60                           | -                      | dB      |         |
|  |   | $V_{IN}=(V_{OUT(T)}+1.0)V_{DC}+0.5V_{p-pAC}$<br>$4.05V \leq V_{OUT(T)} \leq 4.70V$<br>$V_{CE}=V_{IN}$ , $I_{OUT}=30mA$ , $f=1kHz$ |                            |                              |                        |         |         |
|  |   | $V_{IN}=(V_{OUT(T)}+1.0)V_{DC}+0.5V_{p-pAC}$<br>$0.85V \leq V_{OUT(T)} \leq 4.00V$<br>$V_{CE}=V_{IN}$ , $I_{OUT}=30mA$ , $f=1kHz$ |                            |                              |                        |         |         |
|  |   | $V_{IN}=1.85V_{DC}+0.5V_{p-pAC}$<br>$V_{OUT(T)}=0.80V$<br>$V_{CE}=V_{IN}$ , $I_{OUT}=30mA$ , $f=1kHz$                             |                            |                              |                        |         |         |
| Limit Current                                | $I_{LIM}$   | $V_{CE}=V_{IN}$   | 200                        | 250                          | -                      | mA      |         |
| Short Current                                | $I_{SHORT}$   | $V_{CE}=V_{IN}$ , $V_{OUT}$ is short-circuited at the $V_{SS}$ level  | -                          | 30                           | -                      | mA      |         |
| CE High Level Voltage                        | $V_{CEH}$   |   | 1.2                        | -                            | 6.0                    | V       |         |
| CE Low Level Voltage                         | $V_{CEL}$   |   | -                          | -                            | 0.3                    | V       |         |
| CE High Level Current                        | $I_{CEH}$   | $V_{CE}=V_{IN}$ (XC6221A/B)   | -0.1                       | -                            | 0.1                    | $\mu A$ |         |
|  |   | $V_{CE}=6.0V$ (XC6221C/D)   | 1.03                       | -                            | 2.37                   |         |         |
| CE Low Level Current                         | $I_{CEL}$   | $V_{CE}=V_{SS}$   | -0.1                       | -                            | 0.1                    | $\mu A$ |         |
| CL Auto-Discharge Resistance <sup>(*8)</sup> | $R_{DCHG}$  | $V_{IN}=6.0V$ , $V_{OUT}=4.0V$ , $V_{CE}=V_{SS}$  | -                          | 780                          | -                      |         |         |

**NOTE:**

- \* 1: Unless otherwise stated regarding input voltage conditions,  $V_{IN}=V_{OUT(T)} + 1.0V$ .
- \* 2:  $V_{OUT(E)}$  = Effective output voltage  
(The output voltage when an amply stabilized " $V_{OUT(T)} + 1.0V$ " is provided at the  $V_{IN}$  pin while maintaining a certain  $I_{OUT}$  value.)
- \* 3: The relation between  $V_{OUT(E)}$  and  $V_{OUT(T)}$  is shown in the voltage chart E-0 and E-1.
- \* 4:  $V_{OUT(T)}$  = Nominal output voltage
- \* 5:  $V_{dif} = \{V_{IN1}^{(*)} - V_{OUT1}^{(*)}\}$
- \* 6:  $V_{OUT1}$  is the voltage equal to 98% of the normal output voltage when amply stabilized  $V_{OUT(T)}+1.0V$  are input at the  $V_{IN}$  pin.
- \* 7:  $V_{IN1}$  is the input voltage when  $V_{OUT1}$  appears at the  $V_{OUT}$  pin while input voltage is gradually decreased.
- \* 8: For the XC6221B/D series only. The XC6221A/C series discharges by resistors R1 and R2 only as shown in the block diagrams.
- \* 9: For operating supply current of the XC6221C/D, a current through the pull-down resistor should be considered in addition to the supply current value mentioned above.

## OUTPUT VOLTAGE CHART

| NOMINAL OUTPUT VOLTAGE (V) | OUTPUT VOLTAGE (Standard)<br>$V_{OUT(E)}$ (V) |        | OUTPUT VOLTAGE (High Accuracy)<br>$V_{OUT(E)}$ (V) |        | DROPOUT VOLTAGE<br>$V_{dif}$ (mV) |      |
|----------------------------|---|--------|--|--------|-----------------------------------|------|
|                            | MIN.  | MAX.   | MIN.   | MAX.   | TYP.                              | MAX. |
| 0.80                       | 0.7700  | 0.8300 | 0.7800   | 0.8200 | 500                               | 850  |
| 0.85                       | 0.8200  | 0.8800 | 0.8300   | 0.8700 |                                   |      |
| 0.90                       | 0.8700  | 0.9300 | 0.8800   | 0.9200 | 410                               | 750  |
| 0.95                       | 0.9200  | 0.9800 | 0.9300   | 0.9700 |                                   |      |
| 1.00                       | 0.9700  | 1.0300 | 0.9800   | 1.0200 | 330                               | 650  |
| 1.05                       | 1.0200  | 1.0800 | 1.0300   | 1.0700 |                                   |      |
| 1.10                       | 1.0700  | 1.1300 | 1.0800   | 1.1200 |                                   |      |
| 1.15                       | 1.1200  | 1.1800 | 1.1300   | 1.1700 |                                   |      |
| 1.20                       | 1.1700  | 1.2300 | 1.1800   | 1.2200 | 230                               | 410  |
| 1.25                       | 1.2200  | 1.2800 | 1.2300   | 1.2700 |                                   |      |
| 1.30                       | 1.2700  | 1.3300 | 1.2800   | 1.3200 |                                   |      |
| 1.35                       | 1.3200  | 1.3800 | 1.3300   | 1.3700 |                                   |      |
| 1.40                       | 1.3700  | 1.4300 | 1.3800   | 1.4200 | 200                               | 360  |
| 1.45                       | 1.4200  | 1.4800 | 1.4300   | 1.4700 |                                   |      |
| 1.50                       | 1.4700  | 1.5300 | 1.4800   | 1.5200 | 180                               | 290  |
| 1.55                       | 1.5200  | 1.5800 | 1.5300   | 1.5700 |                                   |      |
| 1.60                       | 1.5700  | 1.6300 | 1.5800   | 1.6200 | 160                               | 250  |
| 1.65                       | 1.6200  | 1.6800 | 1.6300   | 1.6700 |                                   |      |
| 1.70                       | 1.6700  | 1.7300 | 1.6800   | 1.7200 |                                   |      |
| 1.75                       | 1.7200  | 1.7800 | 1.7300   | 1.7700 |                                   |      |
| 1.80                       | 1.7700  | 1.8300 | 1.7800   | 1.8200 | 125                               | 210  |
| 1.85                       | 1.8200  | 1.8800 | 1.8300   | 1.8700 |                                   |      |
| 1.90                       | 1.8700  | 1.9300 | 1.8800   | 1.9200 |                                   |      |
| 1.95                       | 1.9200  | 1.9800 | 1.9300   | 1.9700 |                                   |      |
| 2.00                       | 1.9600  | 2.0400 | 1.9800   | 2.0200 | 115                               | 195  |
| 2.05                       | 2.0090  | 2.0910 | 2.0295   | 2.0705 |                                   |      |
| 2.10                       | 2.0850  | 2.1420 | 2.0790   | 2.1210 |                                   |      |
| 2.15                       | 2.1070  | 2.1930 | 2.1285   | 2.1715 |                                   |      |
| 2.20                       | 2.1560  | 2.2440 | 2.1780   | 2.2220 |                                   |      |
| 2.25                       | 2.2050  | 2.2950 | 2.2275   | 2.2725 |                                   |      |
| 2.30                       | 2.2540  | 2.3460 | 2.2770   | 2.3230 |                                   |      |
| 2.35                       | 2.3030  | 2.3970 | 2.3265   | 2.3735 |                                   |      |
| 2.40                       | 2.3520  | 2.4480 | 2.3760   | 2.4240 |                                   |      |
| 2.45                       | 2.4010  | 2.4990 | 2.4255   | 2.4745 |                                   |      |
| 2.50                       | 2.4500  | 2.5500 | 2.4750   | 2.5250 |                                   |      |
| 2.55                       | 2.4990  | 2.6010 | 2.5245   | 2.5755 |                                   |      |
| 2.60                       | 2.5480  | 2.6520 | 2.5740   | 2.6260 |                                   |      |
| 2.65                       | 2.5970  | 2.7030 | 2.6235   | 2.6765 |                                   |      |
| 2.70                       | 2.6460  | 2.7540 | 2.6730   | 2.7270 |                                   |      |
| 2.75                       | 2.6950  | 2.8050 | 2.7225   | 2.7775 |                                   |      |
| 2.80                       | 2.7440  | 2.8560 | 2.7720   | 2.8280 |                                   |      |
| 2.85                       | 2.7930  | 2.9070 | 2.8215   | 2.8785 |                                   |      |
| 2.90                       | 2.8420  | 2.9580 | 2.8710   | 2.9290 |                                   |      |
| 2.95                       | 2.8910  | 3.0090 | 2.9205   | 2.9795 |                                   |      |

\* The range of the output voltage of USPN-4 package is 1.20V  $V_{OUT(T)}$  5.00V.

## OUTPUT VOLTAGE CHART (Continued)

| NOMINAL<br>OUTPUT<br>VOLTAGE<br>(V) | OUTPUT VOLTAGE<br>(Standard)<br>$V_{OUT(E)}$<br>(V) |        | OUTPUT VOLTAGE<br>(High Accuracy)<br>$V_{OUT(E)}$<br>(V) |        | DROPOUT VOLTAGE<br>$V_{dif}$<br>(mV) |      |
|-------------------------------------|---|--------|--|--------|--------------------------------------|------|
|                                     | MIN.  | MAX.   | MIN.   | MAX.   | TYP.                                 | MAX. |
| 3.00                                | 2.9400  | 3.0600 | 2.9700   | 3.0300 | 80                                   | 140  |
| 3.05                                | 2.8990  | 3.1100 | 3.0195   | 3.0805 |                                      |      |
| 3.10                                | 3.0380  | 3.1620 | 3.0690   | 3.1310 |                                      |      |
| 3.15                                | 3.0870  | 3.2130 | 3.1185   | 3.1815 |                                      |      |
| 3.20                                | 3.1360  | 3.2640 | 3.1680   | 3.2320 |                                      |      |
| 3.25                                | 3.1850  | 3.3150 | 3.2175   | 3.2825 |                                      |      |
| 3.30                                | 3.2340  | 3.3660 | 3.2670   | 3.3330 |                                      |      |
| 3.35                                | 3.2830  | 3.4170 | 3.3165   | 3.3835 |                                      |      |
| 3.40                                | 3.3320  | 3.4680 | 3.3660   | 3.4340 |                                      |      |
| 3.45                                | 3.3810  | 3.5190 | 3.4155   | 3.4845 |                                      |      |
| 3.50                                | 3.4300  | 3.5700 | 3.4650   | 3.5350 |                                      |      |
| 3.55                                | 3.4790  | 3.6210 | 3.5145   | 3.5855 |                                      |      |
| 3.60                                | 3.5280  | 3.6720 | 3.5640   | 3.6360 |                                      |      |
| 3.65                                | 3.5770  | 3.7230 | 3.6135   | 3.6855 |                                      |      |
| 3.70                                | 3.6260  | 3.7740 | 3.6630   | 3.7370 |                                      |      |
| 3.75                                | 3.6750  | 3.8250 | 3.7125   | 3.7875 |                                      |      |
| 3.80                                | 3.7240  | 3.8760 | 3.7620   | 3.8380 |                                      |      |
| 3.85                                | 3.7730  | 3.9270 | 3.8115   | 3.8885 |                                      |      |
| 3.90                                | 3.8220  | 3.9780 | 3.8610   | 3.9390 |                                      |      |
| 3.95                                | 3.8710  | 4.0290 | 3.9105   | 3.9895 |                                      |      |
| 4.00                                | 3.9200  | 4.0800 | 3.9600   | 4.0400 |                                      |      |
| 4.05                                | 3.9690  | 4.1310 | 4.0095   | 4.0905 |                                      |      |
| 4.10                                | 4.0180  | 4.1820 | 4.0590   | 4.1410 |                                      |      |
| 4.15                                | 4.0670  | 4.2330 | 4.1085   | 4.1915 |                                      |      |
| 4.20                                | 4.1160  | 4.2840 | 4.1580   | 4.2420 |                                      |      |
| 4.25                                | 4.1650  | 4.3350 | 4.2075   | 4.2925 |                                      |      |
| 4.30                                | 4.2140  | 4.3860 | 4.2570   | 4.3430 |                                      |      |
| 4.35                                | 4.2630  | 4.4370 | 4.3065   | 4.3935 |                                      |      |
| 4.40                                | 4.3120  | 4.4880 | 4.3560   | 4.4440 |                                      |      |
| 4.45                                | 4.3610  | 4.5390 | 4.4055   | 4.4945 |                                      |      |
| 4.50                                | 4.4100  | 4.5900 | 4.4550   | 4.5450 |                                      |      |
| 4.55                                | 4.4590  | 4.6410 | 4.5045   | 4.5955 |                                      |      |
| 4.60                                | 4.5080  | 4.6920 | 4.5540   | 4.6460 |                                      |      |
| 4.65                                | 4.5570  | 4.7430 | 4.6035   | 4.6965 |                                      |      |
| 4.70                                | 4.6060  | 4.7940 | 4.6530   | 4.7470 |                                      |      |
| 4.75                                | 4.6550  | 4.8450 | 4.7025   | 4.7975 |                                      |      |
| 4.80                                | 4.7040  | 4.8960 | 4.7520   | 4.8480 |                                      |      |
| 4.85                                | 4.7530  | 4.9470 | 4.8015   | 4.8985 |                                      |      |
| 4.90                                | 4.8020  | 4.9980 | 4.8510   | 4.9490 |                                      |      |
| 4.95                                | 4.8510  | 5.0490 | 4.9005   | 4.9995 |                                      |      |
| 5.00                                | 4.9000  | 5.1000 | 4.9500   | 5.0500 |                                      |      |

## OPERATIONAL EXPLANATION

### <Output Voltage Control>

The voltage divided by resistors R1 & R2 is compared with the internal reference voltage by the error amplifier. The P-channel MOSFET connected to the V<sub>OUT</sub> pin, is then driven by the subsequent output signal. The output voltage at the V<sub>OUT</sub> pin is controlled & stabilized by a system of negative feedback. The current limit circuit and short protect circuit operate in relation to the level of output current. Further, the IC's internal circuitry can be shutdown via the CE pin's signal.



### <Input and Output Capacitors>

The XC6221 needs an output capacitor C<sub>L</sub> for phase compensation. Values required for the phase compensation are shown in the chart below. If a loss of the capacitance happens, the stable phase compensation may not be obtained. Please ensure to use a capacitor which does not depend on bias or temperature too much. For a stable power input, please connect an input capacitor C<sub>IN</sub> of 1.0 μF between the V<sub>IN</sub> pin and the V<sub>SS</sub> pin.

Except USPN-4

| OUTPUT VOLTAGE (V) | OUTPUT CAPACITOR VALUE |
|--------------------|------------------------|
| 0.80V ~ 1.15V      | C <sub>L</sub> 4.7 μF  |
| 1.20V ~ 1.35V      | C <sub>L</sub> 2.2 μF  |
| 1.40V ~ 4.00V      | C <sub>L</sub> 1.0 μF  |
| 4.05V ~ 5.00V      | C <sub>L</sub> 2.2 μF  |

USPN-4

| OUTPUT VOLTAGE (V) | OUTPUT CAPACITOR VALUE |
|--------------------|------------------------|
| 1.20V ~ 4.00V      | C <sub>L</sub> 2.2μF   |
| 4.05V ~ 5.00V      | C <sub>L</sub> 4.7μF   |

### <C<sub>L</sub> Auto-Discharge Function>

XC6221B/D series can discharge the electric charge in the output capacitor (C<sub>L</sub>), when a low signal to the CE pin, which enables the whole IC circuit to be turned off, is inputted via the N-channel transistor and C<sub>L</sub> auto-discharge resistance (R<sub>DCHG</sub>) located between the V<sub>OUT</sub> pin and the V<sub>SS</sub> pin (cf. BLOCK DIAGRAM). The C<sub>L</sub> auto-discharge resistance (R<sub>DCHG</sub>) value is set at 780 (V<sub>OUT</sub>=4.0V @ V<sub>IN</sub>=6.0V at typical). The discharge time of the output capacitor (C<sub>L</sub>) is set by the C<sub>L</sub> auto-discharge resistance (R<sub>DCHG</sub>) and the output capacitor (C<sub>L</sub>). By setting the time constant of the C<sub>L</sub> auto-discharge resistance value [R<sub>DCHG</sub>] and the output capacitor value (C<sub>L</sub>) as (τ = C<sub>L</sub> × R<sub>DCHG</sub>), the output voltage after discharge via the N-channel transistor is calculated by the following formula.

$$V = V_{OUT(E)} \times e^{-t/\tau}, \text{ or } t = \ln(V / V_{OUT(E)}) \times \tau$$

where

V : Output voltage after discharge

V<sub>OUT(E)</sub> : Output voltage

t : Discharge time

τ : C<sub>L</sub> auto-discharge resistance R<sub>DCHG</sub> × Output capacitor value C<sub>L</sub>

## OPERATIONAL EXPLANATION (Continued)

### <Current Limiter, Short-Circuit Protection>

The XC6221 series' fold-back circuit operates as an output current limiter and a short protection circuit for the output pin. When the load current reaches the current limit level, the fixed current limiter circuit operates and output voltage drops. When the output pin is short-circuited to the  $V_{SS}$  pin, the current falls and reaches about 30mA.

### <CE Pin>

The XC6221 internal circuitry can be shutdown via the CE pin signal. In shutdown mode, output at the  $V_{OUT}$  pin will be pulled down to the  $V_{SS}$  level via R1 & R2. However, with the XC6221B/D series, the  $C_L$  auto-discharge resistor is connected in parallel to R1 and R2 while the power supply is applied to the  $V_{IN}$  pin. Therefore, time until the  $V_{OUT}$  pin reaches the  $V_{SS}$  level is shorter. For the XC6221A/B, the output voltage becomes unstable, when the CE pin is left open. For the XC6221C/D, the output voltage becomes  $V_{SS}$  level because the CE pin is short-circuited to  $V_{SS}$  via an internal pull-down resistor. However, the CE input current will be increased via a pull-down resistor when the IC operates. If this IC is used with the correct output voltage for the CE pin, the logic is fixed and the IC will operate normally. However, the supply current may increase as a result of shoot-through current in the IC's internal circuitry when a medium voltage is input.

## NOTES ON USE

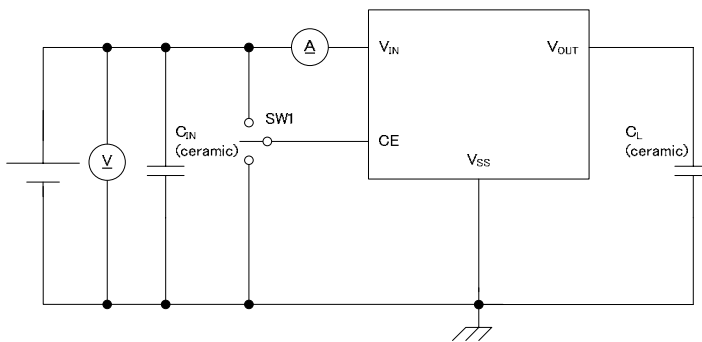
1. Please use this IC within the stated maximum ratings. For temporary, transitional voltage drop or voltage rising phenomenon, the IC is liable to malfunction should the ratings be exceeded.
2. Where wiring impedance is high, operations may become unstable due to noise and/or phase lag depending on output current. Please wire the input capacitor ( $C_{IN}$ ) and the output capacitor ( $C_L$ ) as close to the IC as possible.
3. Torex places an importance on improving our products and its reliability. However, by any possibility, we would request user fail-safe design and post-aging treatment on system or equipment.

## TEST CIRCUITS

Circuit 1: Output Voltage, Output Current, Dropout Voltage, Input/Operating Voltage, Line Regulation, Load Regulation, Current Limit, Short Current, CL Discharge Resistance



Circuit 2: Supply Current, Stand-by Current



Circuit 3: Ripple Rejection Rate



## TEST CIRCUITS (Continued)

Circuit 4: CE "H" "L" Level Voltage, CE "H" "L" Level Current

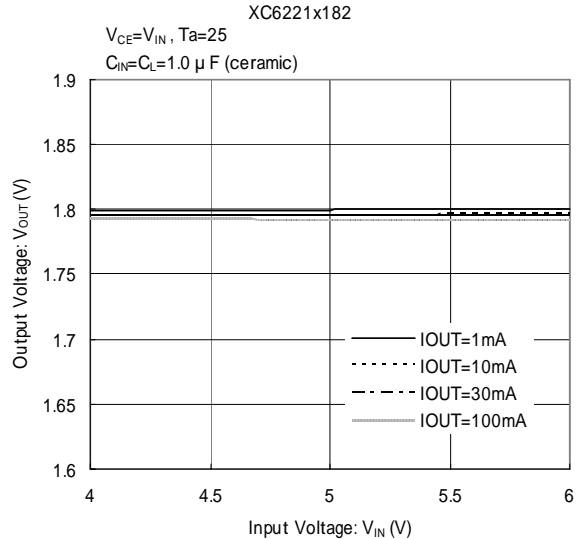


## TYPICAL PERFORMANCE CHARACTERISTICS

### (1) Output Voltage vs. Output Current



### (2) Output Voltage vs. Input Voltage



## TYPICAL PERFORMANCE CHARACTERISTICS (Continued)

(2) Output Voltage vs. Input Voltage (Continued)



(3) Dropout Voltage vs. Output Current



(4) Output Voltage vs. Ambient Temperature



## TYPICAL PERFORMANCE CHARACTERISTICS (Continued)

### (5) Supply Current vs. Input Voltage



### (6) CL-Discharge Resistance vs. Ambient Temperature



### (7) Load Transient Response



# TYPICAL PERFORMANCE CHARACTERISTICS (Continued)

## (8) Line Transient Response



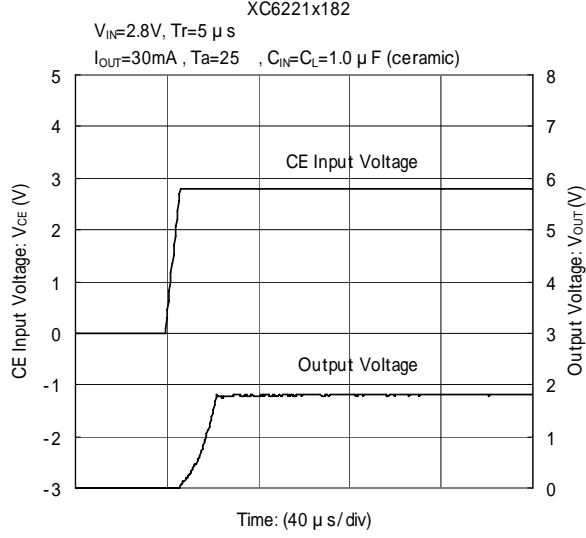
## TYPICAL PERFORMANCE CHARACTERISTICS (Continued)

### (9) Input Rise Characteristics



# TYPICAL PERFORMANCE CHARACTERISTICS (Continued)

## (10) CE Rise Characteristics



## TYPICAL PERFORMANCE CHARACTERISTICS (Continued)

### (11) Ripple Rejection Rate



**PACKAGING INFORMATION**

USP-4

(unit : mm)



SOT-25

(unit : mm)



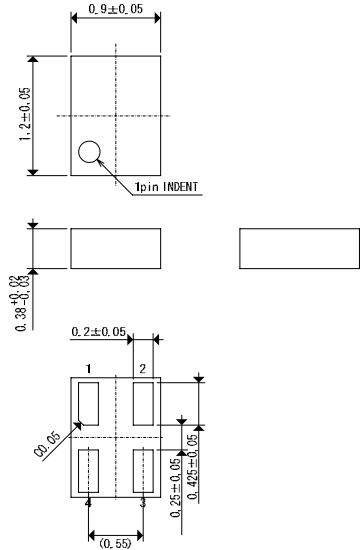
SSOT-24

(unit : mm)



USPN-4

(unit : mm)



## PACKAGING INFORMATION (Continued)

USP-4 Reference Pattern Layout



USP-4 Reference Metal Mask Design



USPN-4 Reference Pattern Layout

(unit : mm)



USPN-4 Reference Metal Mask Design

(unit : mm)



## PACKAGING INFORMATION (Continued)

### USP-4 Power Dissipation

Power dissipation data for the USP-4 is shown in this page.  
The value of power dissipation varies with the mount board conditions.  
Please use this data as one of reference data taken in the described condition.

#### 1. Measurement Condition (Reference data)

Condition: Mount on a board  
 Ambient: Natural convection  
 Soldering: Lead (Pb) free  
 Board: Dimensions 40 x 40 mm (1600 mm<sup>2</sup> in one side)  
 Copper (Cu) traces occupy 50% of the board area  
 In top and back faces  
 Package heat-sink is tied to the copper traces  
 Material: Glass Epoxy (FR-4)  
 Thickness: 1.6 mm  
 Through-hole: 4 x 0.8 Diameter



Evaluation Board (Unit : mm)

#### 2. Power Dissipation vs. Ambient temperature

Board Mount ( $T_j \text{ max} = 125 \text{ }^\circ\text{C}$ )

| Ambient Temperature ( $^\circ\text{C}$ ) | Power Dissipation Pd (mW) | Thermal Resistance ( $^\circ\text{C/W}$ ) |
|--|---------------------------|---|
| 25                                       | 1000                      | 100.00                                    |
| 85                                       | 400                       |   |



## PACKAGING INFORMATION (Continued)

- SOT-25 Power Dissipation

Power dissipation data for the SOT-25 is shown in this page.  
 The value of power dissipation varies with the mount board conditions.  
 Please use this data as one of reference data taken in the described condition.

1. Measurement Condition (Reference data)

- Condition : Mount on a board
- Ambient : Natural convection
- Soldering : Lead (Pb) free
- Board : Dimensions 40×40mm ( 1600mm<sup>2</sup> in one side )
- Copper (Cu) traces occupy 50% of the board area
- In top and back faces
- Package heat-sink is tied to the copper traces
- (Board of SOT-26 is used)
- Material : Glass Epoxy ( FR-4 )
- Thickness : 1.6mm
- Through-hole : 4 x 0.8 Diameter

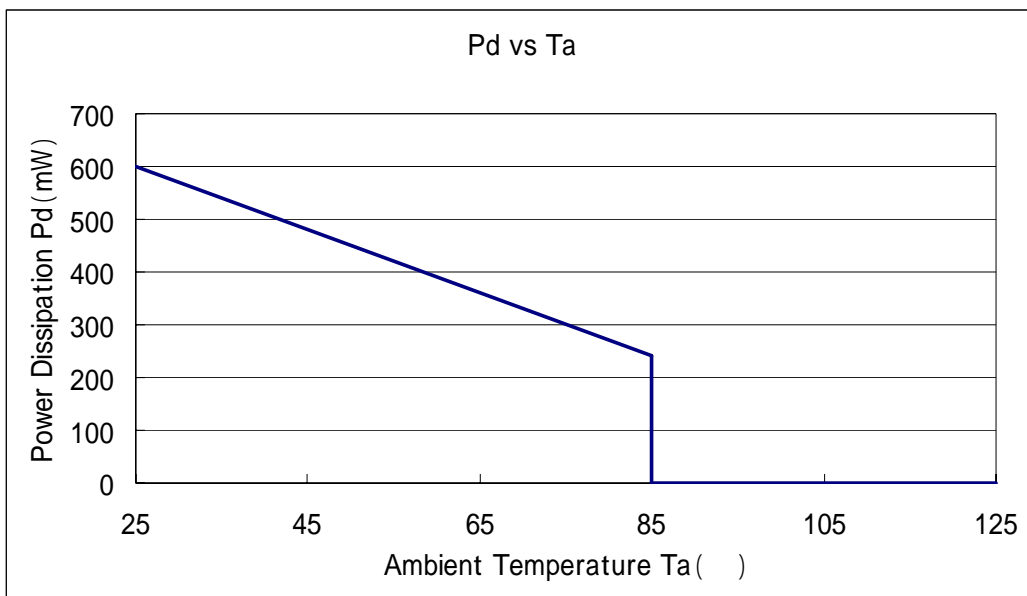


Evaluation Board (Unit: mm)

2. Power Dissipation vs. Ambient temperature

Board Mount (T<sub>j</sub> max = 125 °C)

| Ambient Temperature ( °C ) | Power Dissipation Pd (mW) | Thermal Resistance ( °C/W ) |
|----------------------------|---------------------------|-----------------------------|
| 25                         | 600                       | 166.67                      |
| 85                         | 240                       |                             |



## PACKAGING INFORMATION (Continued)

- SSOT-24 Power Dissipation

Power dissipation data for the SSOT-24 is shown in this page.

The value of power dissipation varies with the mount board conditions.

Please use this data as one of reference data taken in the described condition.

### 1. Measurement Condition (Reference data)

Condition : Mount on a board

Ambient : Natural convection

Soldering : Lead (Pb) free

Board : Dimensions 40×40mm ( 1600mm<sup>2</sup> in one side )

Copper (Cu) traces occupy 50% of the board area

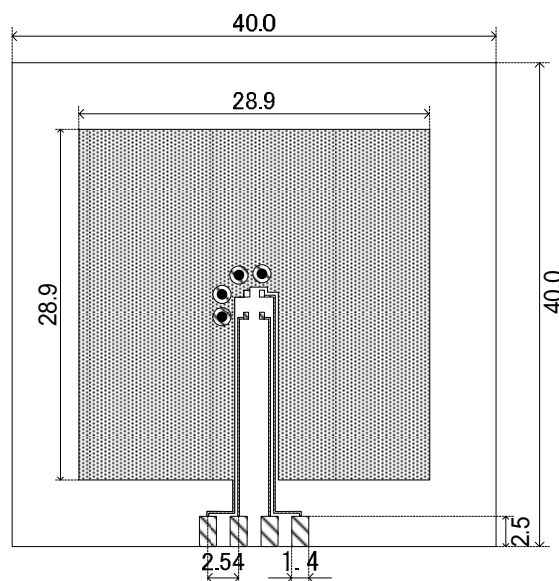
In top and back faces

Package heat-sink is tied to the copper traces

Material : Glass Epoxy ( FR-4 )

Thickness : 1.6mm

Through-hole : 4 x 0.8 Diameter

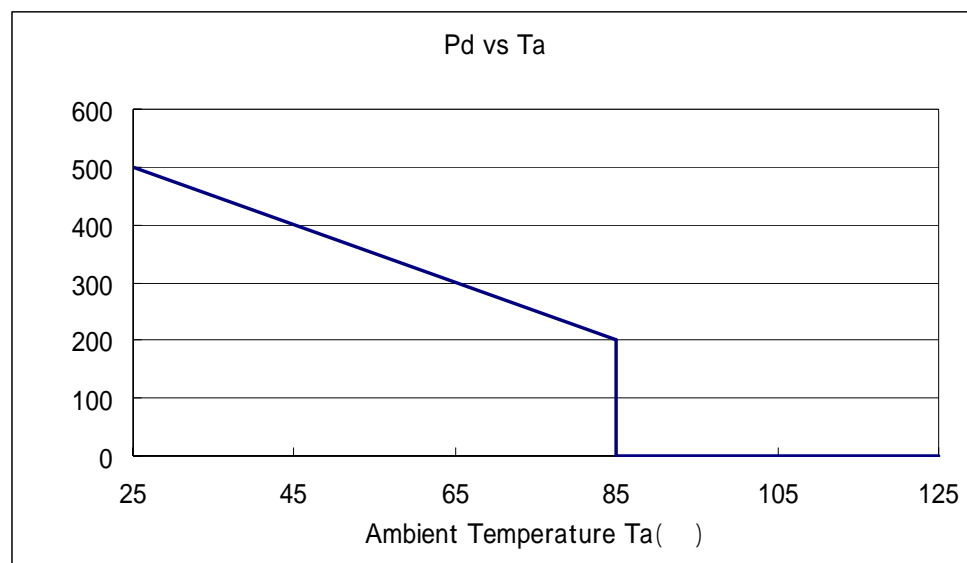


Evaluation Board (Unit: mm)

### 2. Power Dissipation vs. Ambient temperature

Board Mount (T<sub>j</sub> max = 125 °C)

| Ambient Temperature ( °C ) | Power Dissipation Pd (mW) | Thermal Resistance ( °C/W ) |
|----------------------------|---------------------------|-----------------------------|
| 25                         | 500                       | 200.00                      |
| 85                         | 200                       |                             |



## PACKAGING INFORMATION (Continued)

### USPN-4 Power Dissipation

Power dissipation data for the USPN-4 is shown in this page.

The value of power dissipation varies with the mount board conditions.

Please use this data as one of reference data taken in the described condition.

#### 1. Measurement Condition (Reference data)

- Condition: Mount on a board
- Ambient: Natural convection
- Soldering: Lead (Pb) free
- Board: Dimensions 40 x 40 mm (1600 mm<sup>2</sup> in one side)  
Copper (Cu) traces occupy 50% of the front and 50% of the back.  
The copper area is divided into four block, one block is 12.5% of total.  
The USPN-4 package has for terminals.  
Each terminal connects one copper block in the front and one in the back.
- Material: Glass Epoxy (FR-4)
- Thickness: 1.6 mm
- Through-hole: 4 x 0.8 Diameter

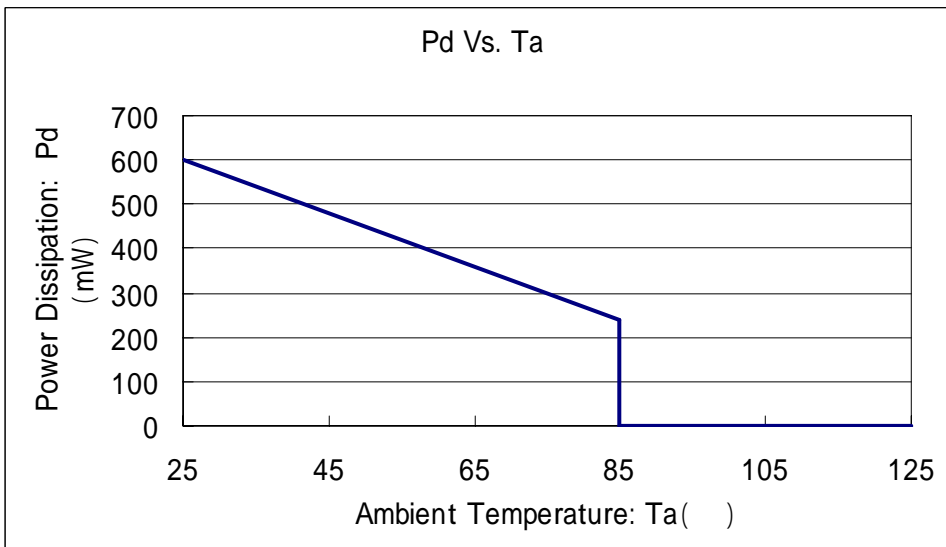


Evaluation Board (Unit : mm)

#### 2. Power Dissipation vs. Ambient temperature

Board Mount (T<sub>j</sub> max = 125 °C)

| Ambient Temperature ( °C ) | Power Dissipation Pd (mW) | Thermal Resistance ( °C/W ) |
|----------------------------|---------------------------|-----------------------------|
| 25                         | 600                       | 166.67                      |
| 85                         | 240                       |                             |



## MARKING RULE

SOT-25 / USP-4



SOT-25  
(TOP VIEW)



USP-4  
(TOP VIEW)

represents product series

| MARK | PRODUCT SERIES |
|------|----------------|
| 3    | XC6221A/B****  |
| 0    | XC6221C/D****  |

represents type of regulator

| MARK                           |                             |                                 |                             | PRODUCT SERIES |
|--------------------------------|-----------------------------|---------------------------------|-----------------------------|----------------|
| OUTPUT VOLTAGE 0.1V INCREMENTS |                             | OUTPUT VOLTAGE 0.05V INCREMENTS |                             |                |
| $V_{OUT} = 0.80 \sim 3.00V$    | $V_{OUT} = 3.10 \sim 5.00V$ | $V_{OUT} = 0.85 \sim 3.05V$     | $V_{OUT} = 3.15 \sim 4.95V$ |                |
| V                              | A                           | E                               | L                           | XC6221A/C****  |
| X                              | B                           | F                               | M                           | XC6221B/D****  |

represents output voltage

| MARK | OUTPUT VOLTAGE (V) |      |      |      | MARK | OUTPUT VOLTAGE (V) |      |      |      |
|------|--------------------|------|------|------|------|--------------------|------|------|------|
| 0    | -                  | 3.10 | -    | 3.15 | F    | 1.60               | 4.60 | 1.65 | 4.65 |
| 1    | -                  | 3.20 | -    | 3.25 | H    | 1.70               | 4.70 | 1.75 | 4.75 |
| 2    | -                  | 3.30 | -    | 3.35 | K    | 1.80               | 4.80 | 1.85 | 4.85 |
| 3    | -                  | 3.40 | -    | 3.45 | L    | 1.90               | 4.90 | 1.95 | 4.95 |
| 4    | -                  | 3.50 | -    | 3.55 | M    | 2.00               | 5.00 | 2.05 | -    |
| 5    | -                  | 3.60 | -    | 3.65 | N    | 2.10               | -    | 2.15 | -    |
| 6    | -                  | 3.70 | -    | 3.75 | P    | 2.20               | -    | 2.25 | -    |
| 7    | 0.80               | 3.80 | 0.85 | 3.85 | R    | 2.30               | -    | 2.35 | -    |
| 8    | 0.90               | 3.90 | 0.95 | 3.95 | S    | 2.40               | -    | 2.45 | -    |
| 9    | 1.00               | 4.00 | 1.05 | 4.05 | T    | 2.50               | -    | 2.55 | -    |
| A    | 1.10               | 4.10 | 1.15 | 4.15 | U    | 2.60               | -    | 2.65 | -    |
| B    | 1.20               | 4.20 | 1.25 | 4.25 | V    | 2.70               | -    | 2.75 | -    |
| C    | 1.30               | 4.30 | 1.35 | 4.35 | X    | 2.80               | -    | 2.85 | -    |
| D    | 1.40               | 4.40 | 1.45 | 4.45 | Y    | 2.90               | -    | 2.95 | -    |
| E    | 1.50               | 4.50 | 1.55 | 4.55 | Z    | 3.00               | -    | 3.05 | -    |

represents production lot number

01, ..., 09, 10, 11, ..., 99, 0A, ..., 0Z, 1A, ..., 9Z, A0, ..., Z9, AA, ..., ZZ repeated.

(G, I, J, O, Q, W excluded)

\*No character inversion used.

## MARKING RULE (Continued)

SSOT-24(Without bar) / USPN-4



represents type of regulator and output voltage range.

| MARK | TYPE OF REGULATOR | OUTPUT VOLTAGE RANGE(V) | OUTPUT VOLTAGE ACCURACY | PRODUCT SERIES                  |
|------|-------------------|-------------------------|-------------------------|---------------------------------|
| 9    | A                 | 0.80 ~ 3.00             | 1/2(0.1VStep)           | XC6221A081/2** ~ XC6221A301/2** |
| D    | A                 | 3.10 ~ 4.00             | 1/2(0.1VStep)           | XC6221A311/2** ~ XC6221A401/2** |
| 0    | A                 | 4.10 ~ 5.00             | 1/2(0.1VStep)           | XC6221A411/2** ~ XC6221A501/2** |
| A    | A                 | 0.85 ~ 3.05             | A/B(0.05VStep)          | XC6221A08A/B** ~ XC6221A30A/B** |
| E    | A                 | 3.15 ~ 3.95             | A/B(0.05VStep)          | XC6221A31A/B** ~ XC6221A39A/B** |
| 0    | A                 | 4.05 ~ 4.95             | A/B(0.05VStep)          | XC6221A40A/B** ~ XC6221A49A/B** |
| B    | B                 | 0.80 ~ 3.00             | 1/2(0.1VStep)           | XC6221B081/2** ~ XC6221B301/2** |
| F    | B                 | 3.10 ~ 4.00             | 1/2(0.1VStep)           | XC6221B311/2** ~ XC6221B401/2** |
| P    | B                 | 4.10 ~ 4.80             | 1/2(0.1VStep)           | XC6221B411/2** ~ XC6221B481/2** |
| U    | B                 | 4.90 ~ 5.00             | 1/2(0.1VStep)           | XC6221B491/2** ~ XC6221B501/2** |
| C    | B                 | 0.85 ~ 3.05             | A/B(0.05VStep)          | XC6221B31A/B** ~ XC6221B39A/B** |
| H    | B                 | 3.15 ~ 3.95             | A/B(0.05VStep)          | XC6221B40A/B** ~ XC6221B49A/B** |
| 8    | B                 | 4.05 ~ 4.35             | A/B(0.05VStep)          | XC6221B31A/B** ~ XC6221B39A/B** |
| H    | B                 | 4.45 ~ 4.75             | A/B(0.05VStep)          | XC6221B40A/B** ~ XC6221B49A/B** |
| Z    | B                 | 4.85 ~ 4.95             | A/B(0.05VStep)          | XC6221B40A/B** ~ XC6221B49A/B** |

\* The range of the output voltage of USPN-4 package is 1.20V  $V_{OUT(T)}$  5.00V.

represents output voltage

XC6221A\*\*\*\*\* (0.8 ~ 5.0V) 、XC6221B\*\*\*\*\* (0.8 ~ 4.0V)

| MARK | OUTPUT VOLTAGE (V) |      |      |      | MARK | OUTPUT VOLTAGE (V) |      |      |      |
|------|--------------------|------|------|------|------|--------------------|------|------|------|
| 0    | -                  | 3.10 | -    | 3.15 | F    | 1.60               | 4.60 | 1.65 | -    |
| 1    | -                  | 3.20 | -    | 3.25 | H    | 1.70               | 4.70 | 1.75 | -    |
| 2    | -                  | 3.30 | -    | 3.35 | K    | 1.80               | 4.80 | 1.85 | -    |
| 3    | -                  | 3.40 | -    | 3.45 | L    | 1.90               | 4.90 | 1.95 | -    |
| 4    | -                  | 3.50 | -    | 3.55 | M    | 2.00               | 5.00 | 2.05 | -    |
| 5    | -                  | 3.60 | -    | 3.65 | N    | 2.10               | -    | 2.15 | 4.05 |
| 6    | -                  | 3.70 | -    | 3.75 | P    | 2.20               | -    | 2.25 | 4.15 |
| 7    | 0.80               | 3.80 | 0.85 | 3.85 | R    | 2.30               | -    | 2.35 | 4.25 |
| 8    | 0.90               | 3.90 | 0.95 | 3.95 | S    | 2.40               | -    | 2.45 | 4.35 |
| 9    | 1.00               | 4.00 | 1.05 | -    | T    | 2.50               | -    | 2.55 | 4.45 |
| A    | 1.10               | 4.10 | 1.15 | -    | U    | 2.60               | -    | 2.65 | 4.55 |
| B    | 1.20               | 4.20 | 1.25 | -    | V    | 2.70               | -    | 2.75 | 4.65 |
| C    | 1.30               | 4.30 | 1.35 | -    | X    | 2.80               | -    | 2.85 | 4.75 |
| D    | 1.40               | 4.40 | 1.45 | -    | Y    | 2.90               | -    | 2.95 | 7.85 |
| E    | 1.50               | 4.50 | 1.55 | -    | Z    | 3.00               | -    | 3.05 | 4.95 |

XC6221B\*\*\*\*\* (4.05 ~ 5.0V)

| MARK | OUTPUT VOLTAGE (V) |      |      |      |
|------|--------------------|------|------|------|
| 0    | 4.10               | -    | -    | -    |
| 1    | 4.20               | -    | -    | -    |
| 2    | 4.30               | -    | -    | -    |
| 3    | 4.40               | -    | -    | -    |
| 4    | 4.50               | -    | -    | -    |
| 5    | 4.60               | -    | -    | -    |
| 6    | 4.70               | -    | -    | -    |
| 7    | 4.80               | -    | -    | -    |
| 8    | -                  | -    | -    | -    |
| 9    | -                  | 4.05 | 4.45 | -    |
| X    | 4.90               | 4.15 | 4.55 | 4.85 |
| Y    | 5.00               | 4.25 | 4.65 | 4.95 |
| Z    | -                  | 4.35 | 4.75 | -    |

represents production lot number

01, ..., 09, 10, 11, ..., 99, 0A, ..., 0Z, 1A, ..., 9Z, A0, ..., Z9, AA, ..., ZZ repeated.

(G, I, J, O, Q, W excluded)

\*No character inversion used.

## MARKING RULE (Continued)

SSOT-24(With bar) / USPN-4



represents type of regulator and output voltage range.

| MARK | TYPE OF REGULATOR | OUTPUT VOLTAGE RANGE(V) | OUTPUT VOLTAGE ACCURACY | PRODUCT SERIES                    |
|------|-------------------|-------------------------|-------------------------|-----------------------------------|
| 0    | C                 | 0.80 ~ 3.70             | 1/2(0.1VStep)           | XC6221C081/2** ~ XC6221C371/2**   |
| 1    | C                 | 3.80 ~ 5.00             | 1/2(0.1VStep)           | XC6221C381/2** ~ XC6221C501/2**   |
| 2    | C                 | 0.85 ~ 3.75             | A/B(0.05VStep)          | XC6221C08A/B** ~ XC6221C37 A/B**  |
| 3    | C                 | 3.85 ~ 4.95             | A/B(0.05VStep)          | XC6221C38 A/B** ~ XC6221C50 A/B** |
| 4    | D                 | 0.80 ~ 3.70             | 1/2(0.1VStep)           | XC6221D081/2** ~ XC6221D371/2**   |
| 5    | D                 | 3.80 ~ 5.00             | 1/2(0.1VStep)           | XC6221D381/2** ~ XC6221D501/2**   |
| 6    | D                 | 0.85 ~ 3.75             | A/B(0.05VStep)          | XC6221D08A/B** ~ XC6221D37 A/B**  |
| 7    | D                 | 3.85 ~ 4.95             | A/B(0.05VStep)          | XC6221D38 A/B** ~ XC6221D50 A/B** |

\* The range of the output voltage of USPN-4 package is 1.20V  $V_{OUT(T)}$  5.00V.

represents output voltage

| MARK | OUTPUT VOLTAGE (V) |      |      |      | MARK | OUTPUT VOLTAGE (V) |   |      |   |
|------|--------------------|------|------|------|------|--------------------|---|------|---|
|      | 0.80               | 3.80 | 0.85 | 3.85 |      | 2.30               | - | 2.35 | - |
| 0    | 0.80               | 3.80 | 0.85 | 3.85 | F    | 2.30               | - | 2.35 | - |
| 1    | 0.90               | 3.90 | 0.95 | 3.95 | H    | 2.40               | - | 2.45 | - |
| 2    | 1.00               | 4.00 | 1.05 | 4.05 | K    | 2.50               | - | 2.55 | - |
| 3    | 1.10               | 4.10 | 1.15 | 4.15 | L    | 2.60               | - | 2.65 | - |
| 4    | 1.20               | 4.20 | 1.25 | 4.25 | M    | 2.70               | - | 2.75 | - |
| 5    | 1.30               | 4.30 | 1.35 | 4.35 | N    | 2.80               | - | 2.85 | - |
| 6    | 1.40               | 4.40 | 1.45 | 4.45 | P    | 2.90               | - | 2.95 | - |
| 7    | 1.50               | 4.50 | 1.55 | 4.55 | R    | 3.00               | - | 3.05 | - |
| 8    | 1.60               | 4.60 | 1.65 | 4.65 | S    | 3.10               | - | 3.15 | - |
| 9    | 1.70               | 4.70 | 1.75 | 4.75 | T    | 3.20               | - | 3.25 | - |
| A    | 1.80               | 4.80 | 1.85 | 4.85 | U    | 3.30               | - | 3.35 | - |
| B    | 1.90               | 4.90 | 1.95 | 4.95 | V    | 3.40               | - | 3.45 | - |
| C    | 2.00               | 5.00 | 2.05 | -    | X    | 3.50               | - | 3.55 | - |
| D    | 2.10               | -    | 2.15 | -    | Y    | 3.60               | - | 3.65 | - |
| E    | 2.20               | -    | 2.25 | -    | Z    | 3.70               | - | 3.75 | - |

represents production lot number

01, ..., 09, 10, 11, ..., 99, 0A, ..., 0Z, 1A, ..., 9Z, A0, ..., Z9, AA, ..., ZZ repeated.

(G, I, J, O, Q, W excluded)

\*No character inversion used.

1. The products and product specifications contained herein are subject to change without notice to improve performance characteristics. Consult us, or our representatives before use, to confirm that the information in this datasheet is up to date.
2. We assume no responsibility for any infringement of patents, patent rights, or other rights arising from the use of any information and circuitry in this datasheet.
3. Please ensure suitable shipping controls (including fail-safe designs and aging protection) are in force for equipment employing products listed in this datasheet.
4. The products in this datasheet are not developed, designed, or approved for use with such equipment whose failure or malfunction can be reasonably expected to directly endanger the life of, or cause significant injury to, the user.  
(e.g. Atomic energy; aerospace; transport; combustion and associated safety equipment thereof.)
5. Please use the products listed in this datasheet within the specified ranges.  
Should you wish to use the products under conditions exceeding the specifications, please consult us or our representatives.
6. We assume no responsibility for damage or loss due to abnormal use.
7. All rights reserved. No part of this datasheet may be copied or reproduced without the prior permission of TOREX SEMICONDUCTOR LTD.

**TOREX SEMICONDUCTOR LTD.**

## Looking for pricing, stock, or lifecycle information?

Click below to explore more details on WIN SOURCE:

- [View XC6221B1317R-G on WIN SOURCE](#)
- [Torex Semiconductor Ltd Information](#)

## Optimize Your Supply Chain with WIN SOURCE Solutions

- ✓ Global Sourcing Solution
- ✓ Obsolete Management
- ✓ Cost Control Management
- ✓ Shortage Management
- ✓ Alternative Solution
- ✓ Excess Inventory Management