



THE DATASHEET OF ZC2800ETA

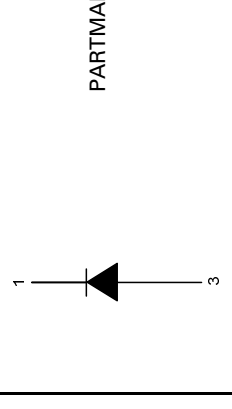


ZC2800E
ZC2811E
ZC5800E

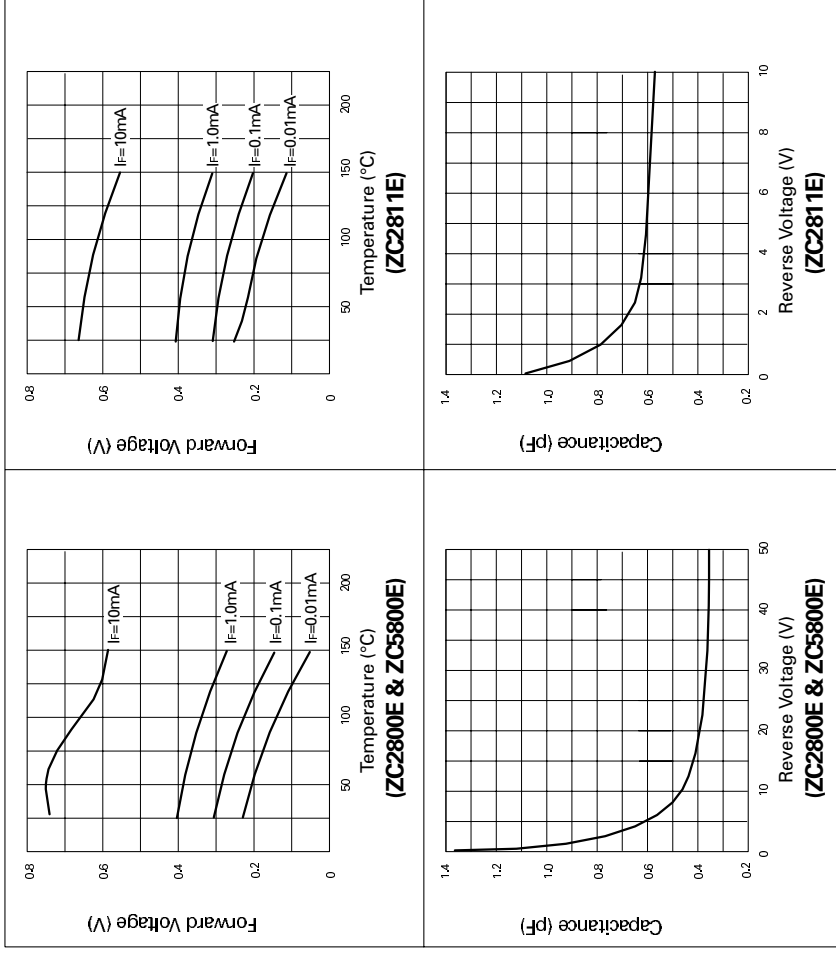
SOT23 SCHOTTKY BARRIER

ISSUE 2 - MARCH 1995

DIODE PIN CONNECTION



TYPICAL CHARACTERISTICS



ABSOLUTE MAXIMUM RATINGS

PARAMETER

Power Dissipation at $T_{amb} = 25^{\circ}C$
Operating and Storage Temperature

ELECTRICAL CHARACTERISTICS

PARAMETER	TYPE	SY
Breakdown Voltage	ZC2800E	
	ZC2811E	
	ZC5800E	
Reverse Leakage Current	ZC2800E	
	ZC2811E	
	ZC5800E	
Forward Voltage	ZC2800E	
	ZC2811E	
	ZC5800E	
Forward Current	ZC2800E	
	ZC2811E	
	ZC5800E	
Capacitance	ZC2800E	
	ZC2811E	
	ZC5800E	
Effective Minority Lifetime (1)	ZC2800E	
	ZC2811E	
	ZC5800E	

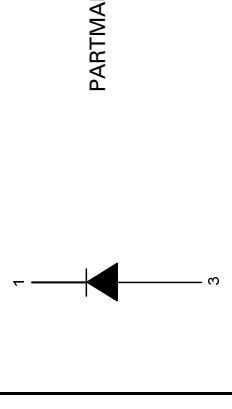
(1) Sample Test.

ZC2800E
ZC2811E
ZC5800E

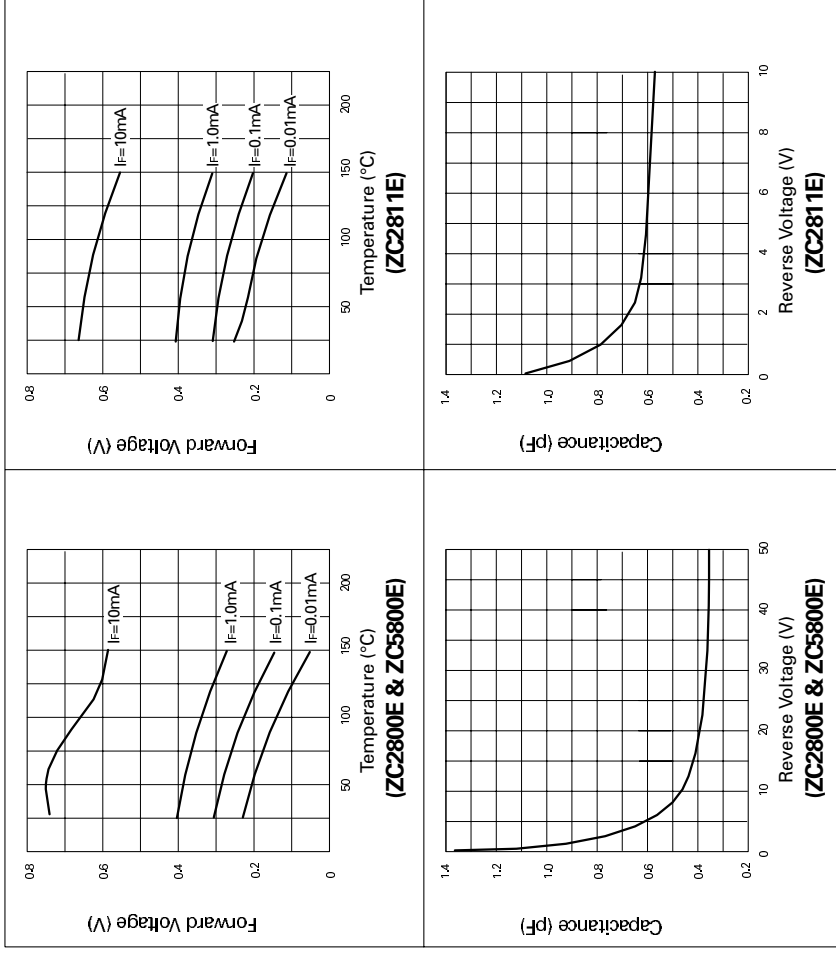
SOT23 SCHOTTKY BARRIER

ISSUE 2 - MARCH 1995

DIODE PIN CONNECTION



TYPICAL CHARACTERISTICS



ABSOLUTE MAXIMUM RATINGS

PARAMETER

Power Dissipation at $T_{amb} = 25^{\circ}C$
Operating and Storage Temperature

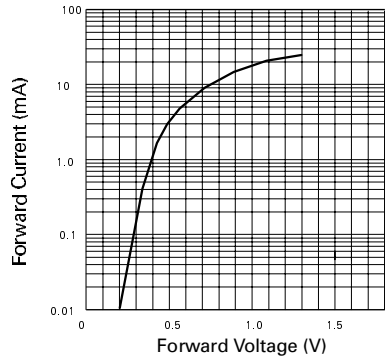
ELECTRICAL CHARACTERISTICS

PARAMETER	TYPE	SY
Breakdown Voltage	ZC2800E	
	ZC2811E	
	ZC5800E	
Reverse Leakage Current	ZC2800E	
	ZC2811E	
	ZC5800E	
Forward Voltage	ZC2800E	
	ZC2811E	
	ZC5800E	
Forward Current	ZC2800E	
	ZC2811E	
	ZC5800E	
Capacitance	ZC2800E	
	ZC2811E	
	ZC5800E	
Effective Minority Lifetime (1)	ZC2800E	
	ZC2811E	
	ZC5800E	

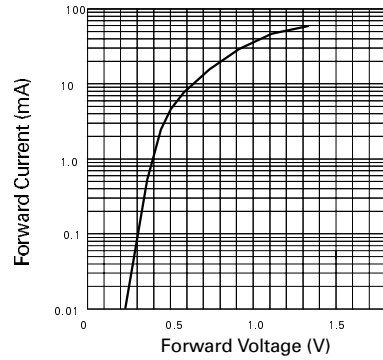
(1) Sample Test.

**ZC2800E
ZC2811E
ZC5800E**

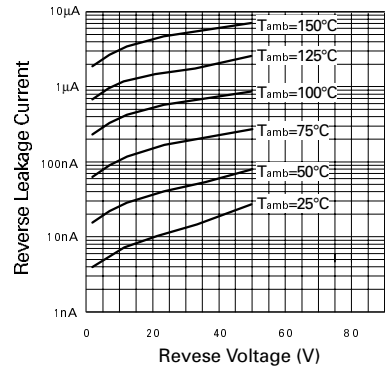
TYPICAL CHARACTERISTICS



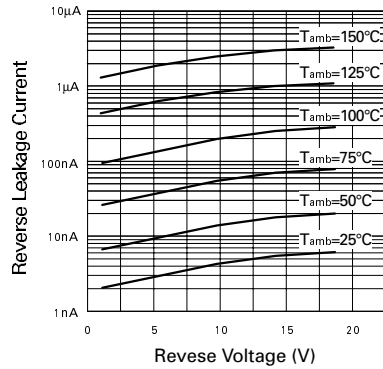
(ZC2800E & ZC5800E)



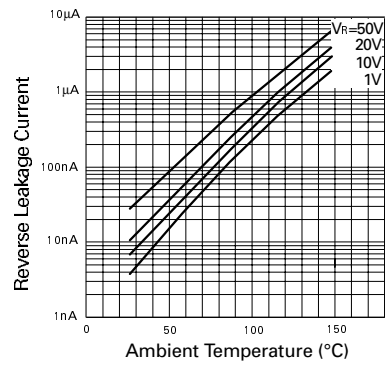
(ZC2811E)



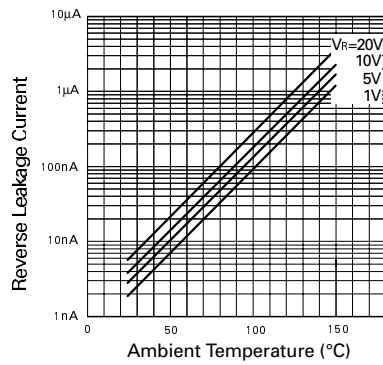
(ZC2800E & ZC5800E)



(ZC2811E)



(ZC2800E & ZC5800E)



(ZC2811E)

Looking for pricing, stock, or lifecycle information?

Click below to explore more details on WIN SOURCE:

-  [View ZC2800ETA on WIN SOURCE](#)
-  [Diodes Incorporated Information](#)

Optimize Your Supply Chain with WIN SOURCE Solutions

-  Global Sourcing Solution
-  Obsolete Management
-  Cost Control Management
-  Shortage Management
-  Alternative Solution
-  Excess Inventory Management