



**THE DATASHEET OF
ZVN4525GTA**



Product Summary

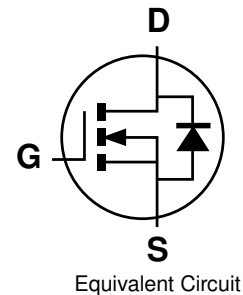
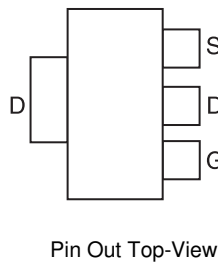
$V_{(BR)DSS}$	Max $R_{DS(on)}$	Max I_D $T_A = +25^\circ C$
250V	8.5Ω @ $V_{GS} = 10V$	310mA

Description and Applications

This 250V enhancement mode N-Channel MOSFET provides users with a competitive specification offering efficient power handling capability, high impedance and is free from thermal runaway and thermally induced secondary breakdown. Applications benefiting from this device include a variety of telecommunication and general high voltage circuits.

SOT89 and SOT23-6 versions are also available.

- Earth Recall and Dialing Switches
- Electronic Hook Switches
- High Voltage Power MOSFET Drivers
- Telecom Call Routers
- Solid State Relays



Features and Benefits

- High Voltage
- Low On-Resistance
- Fast Switching Speed
- Low Gate Drive
- Low Threshold
- Complementary P-Channel Type ZVP4525G
- SOT223 Package
- **Lead-Free Finish; RoHS Compliant (Notes 1 & 2)**
- **Halogen and Antimony Free. "Green" Device (Note 3)**

Mechanical Data

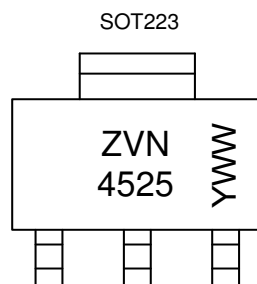
- Case: SOT223
- Case Material: Molded Plastic, "Green" Molding Compound; UL Flammability Classification Rating 94V-0
- Moisture Sensitivity: Level 1 per J-STD-020
- Terminals Connections: See Diagram Below
- Terminals: Finish - Matte Tin Annealed over Copper Leadframe; Solderable per MIL-STD-202, Method 208 (E3)
- Weight: 0.112 grams (Approximate)

Ordering Information (Note 4)

Part Number	REEL SIZE (inches)	TAPE WIDTH (mm)	Packaging
ZVN4525GTA	7	8mm Embossed	1,000
ZVN4525GTC	13	8mm Embossed	4,000

- Notes:
1. EU Directive 2002/95/EC (RoHS) & 2011/65/EU (RoHS 2) compliant. All applicable RoHS exemptions applied.
 2. See http://www.diodes.com/quality/lead_free.html for more information about Diodes Incorporated's definitions of Halogen- and Antimony-free, "Green" and Lead-free.
 3. Halogen- and Antimony-free "Green" products are defined as those which contain <900ppm bromine, <900ppm chlorine (<1500ppm total Br + Cl) and <1000ppm antimony compounds.
 4. For packaging details, go to our website at <http://www.diodes.com/products/packages.html>.

Marking Information



ZVN 4525 = Product Type Marking Code
 YWW = Date Code Marking
 Y or \bar{Y} = Last Digit of Year (ex: 5= 2015)
 WW or $\bar{W}W$ = Week Code (01~53)

Maximum Ratings (@T_A = +25°C, unless otherwise specified.)

Characteristic	Symbol	Value	Unit
Drain-Source Voltage	V _{DSS}	250	V
Gate-Source Voltage	V _{GS}	±40	V
Continuous Drain Current, V _{GS} = 10V (Note 5)	I _D	T _A = +25°C	310
		T _A = +70°C	248
Pulsed Drain Current (Note 7)	I _{DM}	1.44	A
Continuous Source Current (Body Diode)	I _S	1.1	A
Pulsed Source Current (Body Diode)	I _{SM}	1.44	A

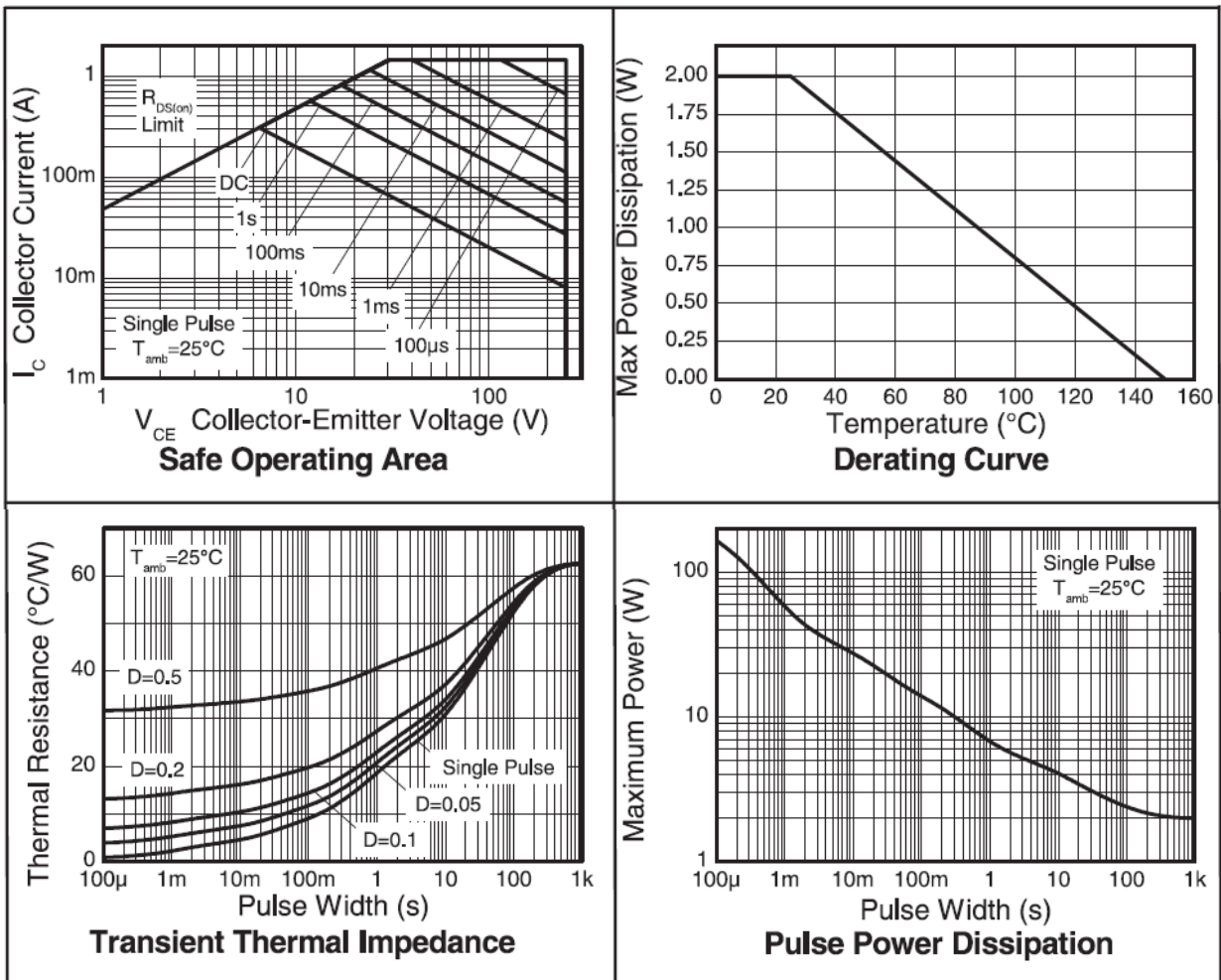
Thermal Characteristics (@T_A = +25°C, unless otherwise specified.)

Characteristic	Symbol	Value	Unit
Power Dissipation at T _A = +25°C (Note 5)	P _D	2	W
Linear Derating Factor		16	mW/°C
Junction to Ambient (Note 5)	R _{θJA}	63	°C/W
Junction to Ambient (Note 6)	R _{θJA}	26	°C/W
Operating and Storage Temperature Range	T _J , T _{STG}	-55 to +150	°C

- Notes: 5. For a device surface mounted on 25mm x 25mm FR4 PCB with high coverage of single sided 1oz copper, in still air conditions.
 6. For a device surface mounted on FR4 PCB measured at t ≤ 5 seconds.
 7. Repetitive rating - pulse width limited by maximum junction temperature. Refer to Transient Thermal.

NB High Voltage Applications

For high voltage applications, the appropriate industry sector guidelines should be considered with regard to voltage spacing between conductors.

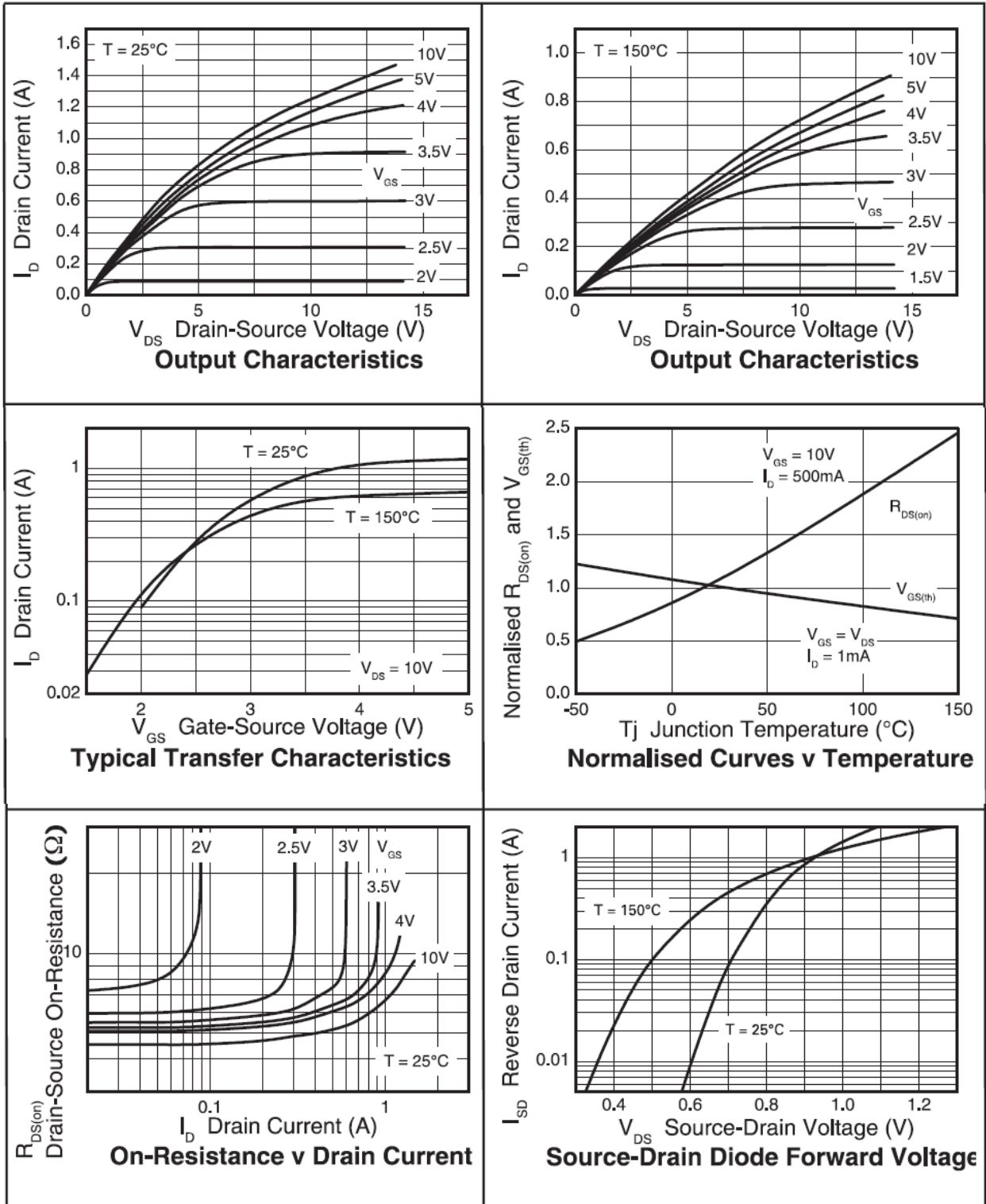


Electrical Characteristics (@T_A = +25 °C, unless otherwise specified.)

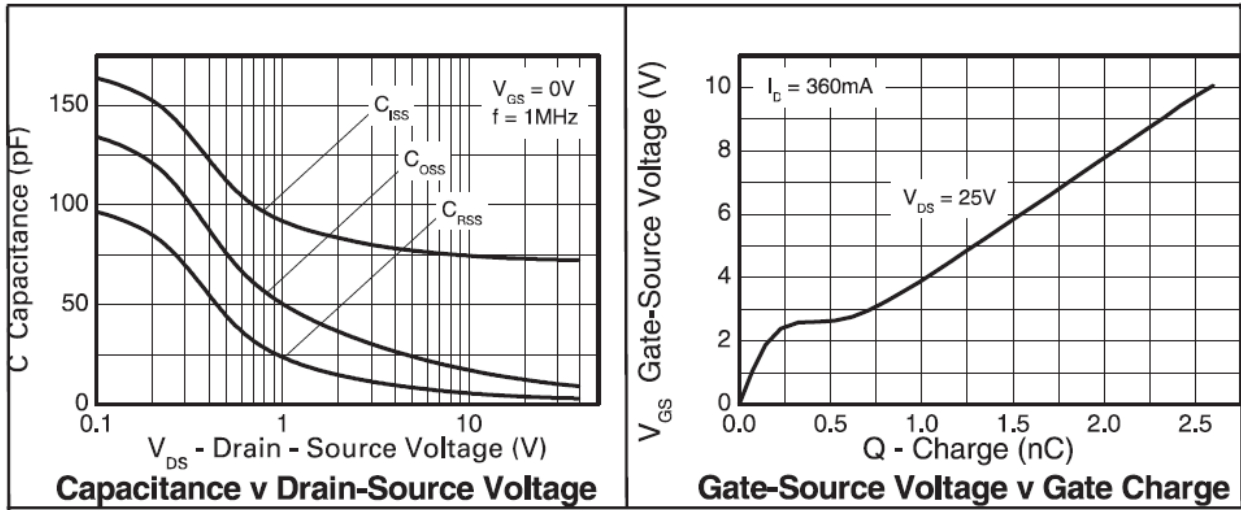
Characteristic	Symbol	Min	Typ	Max	Unit	Test Condition
OFF CHARACTERISTICS						
Drain-Source Breakdown Voltage	BV _{DSS}	250	285	—	V	I _D = 1mA, V _{GS} = 0V
Zero Gate Voltage Drain Current	I _{DSS}	—	35	500	nA	V _{DS} = 250V, V _{GS} = 0V
Gate-Body Leakage	I _{GSS}	—	±1	±100	nA	V _{GS} = ±40V, V _{DS} = 0V
Gate-Source Threshold Voltage	V _{GS(th)}	0.8	1.4	1.8	V	I _D = 1mA, V _{DS} = V _{GS}
On-State Drain Current (Note 8)	I _{D(on)}	3	—	—	A	V _{DS} = 25V, V _{GS} = 10V
Static Drain-Source On-State Resistance (Note 8)	R _{DS(ON)}	—	5.6	8.5	Ω	V _{GS} = 10V, I _D = 500mA
		—	5.9	9		V _{GS} = 4.5V, I _D = 360mA
		—	6.4	9.5		V _{GS} = 2.5V, I _D = 20mA
Forward Transconductance (Note 10)	g _{fs}	0.3	0.475	—	S	V _{DS} = 10V, I _D = 0.3A
Diode Forward Voltage (Note 8)	V _{SD}	—	—	0.97	V	I _S = 360mA, V _{GS} = 0V, T _J = +25 °C
DYNAMIC CHARACTERISTICS (Note 10)						
Input Capacitance	C _{iSS}	—	72	—	pF	V _{DS} = 25 V, V _{GS} = 0V f = 1MHz
Output Capacitance	C _{oss}	—	11	—	pF	
Reverse Transfer Capacitance	C _{rSS}	—	3.6	—	pF	
Total Gate Charge	Q _g	—	2.6	3.65	nC	V _{DS} = 25V, V _{GS} = 10V, I _D = 360mA (refer to test circuit)
Gate-Source Charge	Q _{gs}	—	0.2	0.28		
Gate-Drain Charge	Q _{gd}	—	0.5	0.70		
Turn-On Delay Time (Note 9)	t _{d(on)}	—	1.25	—	ns	V _{DD} = 30V, I _D = 360mA, R _G = 50Ω, V _{GS} = 10V (refer to test circuit)
Rise Time (Note 9)	t _r	—	1.7	—		
Turn-Off Delay Time (Note 9)	t _{d(off)}	—	11.4	—		
Fall Time (Note 9)	t _f	—	3.5	—		
Reverse Recovery Time	t _{rr}	—	186	260	ns	I _F = 360mA, di/dt = 100A/μs,
Reverse Recovery Charge	Q _{rr}	—	34	48	nC	T _J = +25 °C

Notes: 8. Measured under pulsed conditions. Width=300μs. Duty cycle ≤ 2%.
9. Switching characteristics are independent of operating junction temperature.
10. For design aid only, not subject to production testing.

Typical Characteristics

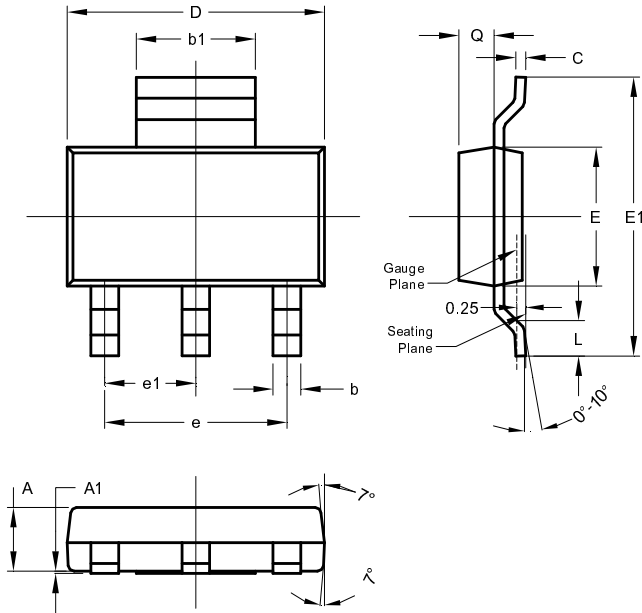


Typical Characteristics (cont.)



Package Outline Dimensions

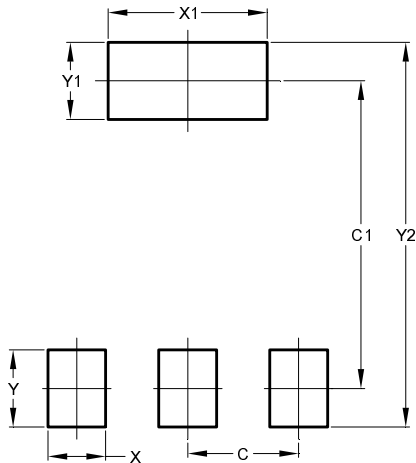
Please see AP02002 at <http://www.diodes.com/datasheets/ap02002.pdf> for the latest version.



SOT223			
Dim	Min	Max	Typ
A	1.55	1.65	1.60
A1	0.010	0.15	0.05
b	0.60	0.80	0.70
b1	2.90	3.10	3.00
C	0.20	0.30	0.25
D	6.45	6.55	6.50
E	3.45	3.55	3.50
E1	6.90	7.10	7.00
e	-	-	4.60
e1	-	-	2.30
L	0.85	1.05	0.95
Q	0.84	0.94	0.89
All Dimensions in mm			

Suggested Pad Layout

Please see AP02001 at <http://www.diodes.com/datasheets/ap02001.pdf> for the latest version.



Dimensions	Value (in mm)
C	2.30
C1	6.40
X	1.20
X1	3.30
Y	1.60
Y1	1.60
C2	8.00

IMPORTANT NOTICE

DIODES INCORPORATED MAKES NO WARRANTY OF ANY KIND, EXPRESS OR IMPLIED, WITH REGARDS TO THIS DOCUMENT, INCLUDING, BUT NOT LIMITED TO, THE IMPLIED WARRANTIES OF MERCHANTABILITY AND FITNESS FOR A PARTICULAR PURPOSE (AND THEIR EQUIVALENTS UNDER THE LAWS OF ANY JURISDICTION).

Diodes Incorporated and its subsidiaries reserve the right to make modifications, enhancements, improvements, corrections or other changes without further notice to this document and any product described herein. Diodes Incorporated does not assume any liability arising out of the application or use of this document or any product described herein; neither does Diodes Incorporated convey any license under its patent or trademark rights, nor the rights of others. Any Customer or user of this document or products described herein in such applications shall assume all risks of such use and will agree to hold Diodes Incorporated and all the companies whose products are represented on Diodes Incorporated website, harmless against all damages.

Diodes Incorporated does not warrant or accept any liability whatsoever in respect of any products purchased through unauthorized sales channel. Should Customers purchase or use Diodes Incorporated products for any unintended or unauthorized application, Customers shall indemnify and hold Diodes Incorporated and its representatives harmless against all claims, damages, expenses, and attorney fees arising out of, directly or indirectly, any claim of personal injury or death associated with such unintended or unauthorized application.

Products described herein may be covered by one or more United States, international or foreign patents pending. Product names and markings noted herein may also be covered by one or more United States, international or foreign trademarks.

This document is written in English but may be translated into multiple languages for reference. Only the English version of this document is the final and determinative format released by Diodes Incorporated.

LIFE SUPPORT

Diodes Incorporated products are specifically not authorized for use as critical components in life support devices or systems without the express written approval of the Chief Executive Officer of Diodes Incorporated. As used herein:

A. Life support devices or systems are devices or systems which:

1. are intended to implant into the body, or
2. support or sustain life and whose failure to perform when properly used in accordance with instructions for use provided in the labeling can be reasonably expected to result in significant injury to the user.

B. A critical component is any component in a life support device or system whose failure to perform can be reasonably expected to cause the failure of the life support device or to affect its safety or effectiveness.

Customers represent that they have all necessary expertise in the safety and regulatory ramifications of their life support devices or systems, and acknowledge and agree that they are solely responsible for all legal, regulatory and safety-related requirements concerning their products and any use of Diodes Incorporated products in such safety-critical, life support devices or systems, notwithstanding any devices- or systems-related information or support that may be provided by Diodes Incorporated. Further, Customers must fully indemnify Diodes Incorporated and its representatives against any damages arising out of the use of Diodes Incorporated products in such safety-critical, life support devices or systems.

Copyright © 2015, Diodes Incorporated

www.diodes.com

Looking for pricing, stock, or lifecycle information?

Click below to explore more details on WIN SOURCE:

 [View ZVN4525GTA on WIN SOURCE](#)

 [Diodes Incorporated Information](#)

Optimize Your Supply Chain with WIN SOURCE Solutions

-  Global Sourcing Solution
-  Obsolete Management
-  Cost Control Management
-  Shortage Management
-  Alternative Solution
-  Excess Inventory Management