



**THE DATASHEET OF
ZXMC4A16DN8TA**



ZXMC4A16DN8

COMPLEMENTARY 40V ENHANCEMENT MODE MOSFET

SUMMARY

N-Channel = $V_{(BR)DSS} = 40V$; $R_{DS(on)} = 0.05\Omega$; $I_D = 5.2A$

P-Channel = $V_{(BR)DSS} = -40V$; $R_{DS(on)} = 0.06\Omega$; $I_D = -4.7A$

DESCRIPTION

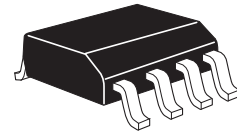
This new generation of trench MOSFETs from Zetex utilises a unique structure that combines the benefits of low on-resistance with fast switching speed. This makes them ideal for high efficiency, low voltage, power management applications.

FEATURES

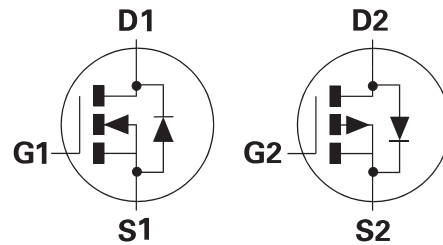
- Low on-resistance
- Fast switching speed
- Low threshold
- Low gate drive
- Low profile SOIC package

APPLICATIONS

- Motor drive
- LCD backlighting



SO8



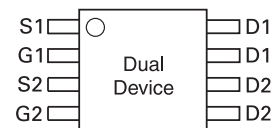
ORDERING INFORMATION

DEVICE	REEL SIZE	TAPE WIDTH	QUANTITY PER REEL
ZXMC4A16DN8TA	7"	12mm	500
ZXMC4A16DN8TC	13"	12mm	2,500

DEVICE MARKING

- ZXMC
4A16

PINOUT



TOP VIEW

ZXMC4A16DN8

ABSOLUTE MAXIMUM RATINGS

PARAMETER	SYMBOL	N-channel	P-channel	UNIT
Drain-source voltage	V_{DSS}	40	-40	V
Gate-source voltage	V_{GS}	± 20	± 20	V
Continuous drain current ($V_{GS} = 10V$; $T_A = 25^\circ C$) ^{(b)(d)} ($V_{GS} = 10V$; $T_A = 70^\circ C$) ^{(b)(d)} ($V_{GS} = 10V$; $T_A = 25^\circ C$) ^{(a)(d)}	I_D	5.2 4.1 4.0	-4.7 -3.8 -3.6	A A A
Pulsed drain current ^(c)	I_{DM}	24	-23	A
Continuous source current (body diode) ^(b)	I_S	2.5	2.3	A
Pulsed source current (body diode) ^(c)	I_{SM}	24	23	A
Power dissipation at $T_A = 25^\circ C$ ^{(a)(d)} Linear derating factor	P_D	1.25 10		W mW/°C
Power dissipation at $T_A = 25^\circ C$ ^{(a)(e)} Linear derating factor	P_D	1.8 14		W mW/°C
Power dissipation at $T_A = 25^\circ C$ ^{(b)(d)} Linear derating factor	P_D	2.1 17		W mW/°C
Operating and storage temperature range	T_j, T_{stg}	-55 to +150		°C

THERMAL RESISTANCE

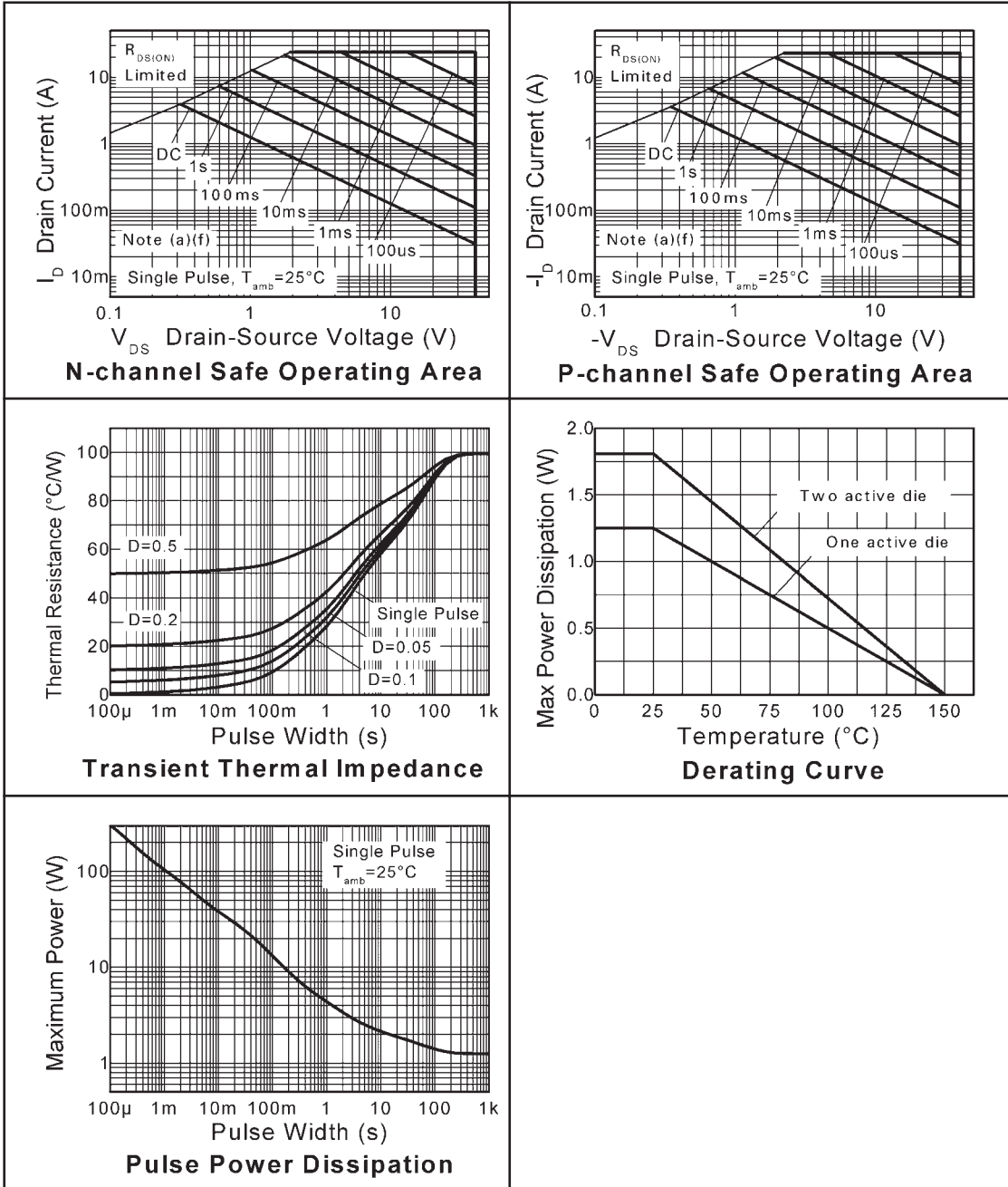
PARAMETER	SYMBOL	VALUE	UNIT
Junction to ambient ^{(a)(d)}	$R_{\theta JA}$	100	°C/W
Junction to ambient ^{(a)(e)}	$R_{\theta JA}$	70	°C/W
Junction to ambient ^{(b)(d)}	$R_{\theta JA}$	60	°C/W

NOTES

- (a) For a device surface mounted on 25mm x 25mm FR4 PCB with high coverage of single sided 1oz copper, in still air conditions.
 (b) For a device surface mounted on FR4 PCB measured at $t \leq 10$ sec.
 (c) Repetitive rating - pulse width limited by maximum junction temperature. Pulse width 300us, $d \leq 0.02$. Refer to Transient Thermal Impedance graph.
 (d) For device with one active die.
 (e) For device with two active die running at equal power.

ZXMC4A16DN8

TYPICAL CHARACTERISTICS



ZXMC4A16DN8

ELECTRICAL CHARACTERISTICS (at $T_{amb} = 25^{\circ}\text{C}$ unless otherwise stated)

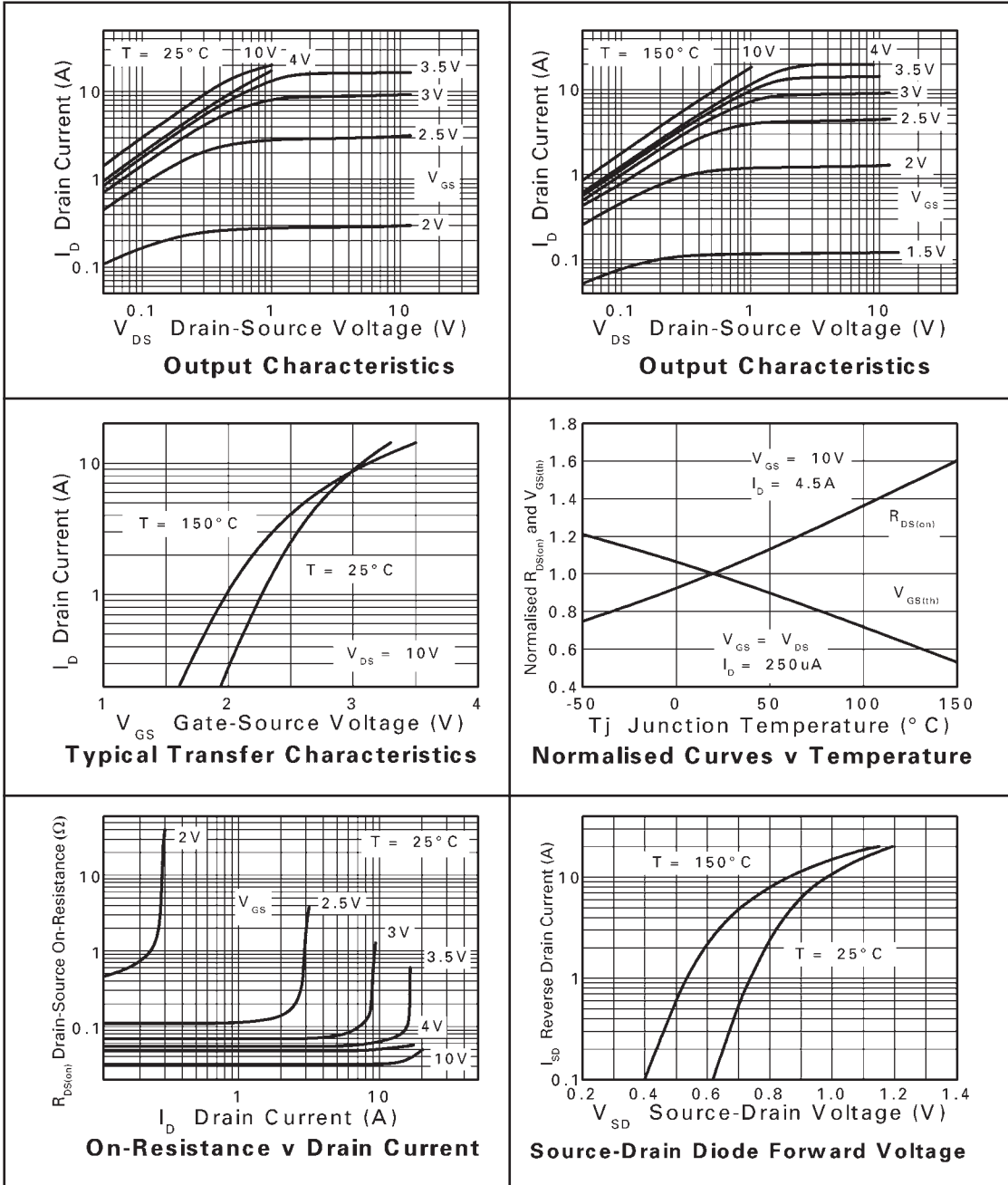
PARAMETER	SYMBOL	MIN.	TYP.	MAX.	UNIT	CONDITIONS
STATIC						
Drain-Source Breakdown Voltage	$V_{(BR)DSS}$	40			V	$I_D = 250\mu\text{A}$, $V_{GS} = 0\text{V}$
Zero Gate Voltage Drain Current	I_{DSS}			0.5	μA	$V_{DS} = 40\text{V}$, $V_{GS} = 0\text{V}$
Gate-Body Leakage	I_{GSS}			100	nA	$V_{GS} = \pm 20\text{V}$, $V_{DS} = 0\text{V}$
Gate-Source Threshold Voltage	$V_{GS(th)}$	1.0			V	$I_D = 250\text{mA}$, $V_{DS} = V_{GS}$
Static Drain-Source On-State Resistance ⁽¹⁾	$R_{DS(on)}$			0.050 0.075	Ω	$V_{GS} = 10\text{V}$, $I_D = 4.5\text{A}$ $V_{GS} = 4.5\text{V}$, $I_D = 3.2\text{A}$
Forward Transconductance ^{(1) (3)}	g_{fs}		8.6		S	$V_{DS} = 15\text{V}$, $I_D = 4.5\text{A}$
DYNAMIC ⁽³⁾						
Input Capacitance	C_{iss}		770		pF	$V_{DS} = 40\text{V}$, $V_{GS} = 0\text{V}$ $f = 1\text{MHz}$
Output Capacitance	C_{oss}		92		pF	
Reverse Transfer Capacitance	C_{rss}		61		pF	
SWITCHING ^{(2) (3)}						
Turn-On-Delay Time	$t_{d(on)}$		3.3		ns	$V_{DD} = 30\text{V}$, $I_D = 1\text{A}$ $R_G \cong 6.0\Omega$, $V_{GS} = 10\text{V}$
Rise Time	t_r		4.7		ns	
Turn-Off Delay Time	$t_{d(off)}$		29		ns	
Fall Time	t_f		14		ns	
Total Gate Charge	Q_g		17		nC	
Gate-Source Charge	Q_{gs}		2.5		nC	$V_{DS} = 30\text{V}$, $V_{GS} = 10\text{V}$ $I_D = 4.5\text{A}$
Gate Drain Charge	Q_{gd}		3.8		nC	
SOURCE-DRAIN DIODE						
Diode Forward Voltage ⁽¹⁾	VSD		0.8	0.95	V	$T_J = 25^{\circ}\text{C}$, $I_S = 4.5\text{A}$, $V_{GS} = 0\text{V}$
Reverse Recovery Time ⁽³⁾	t_{rr}		20		ns	$T_J = 25^{\circ}\text{C}$, $I_S = 2.5\text{A}$,
Reverse Recovery Charge ⁽³⁾	Q_{rr}		16		nC	$di/dt = 100\text{A}/\mu\text{s}$

NOTES

- (1) Measured under pulsed conditions. Pulse width $\leq 300\mu\text{s}$; duty cycle $\leq 2\%$.
 (2) Switching characteristics are independent of operating junction temperature.
 (3) For design aid only, not subject to production testing.

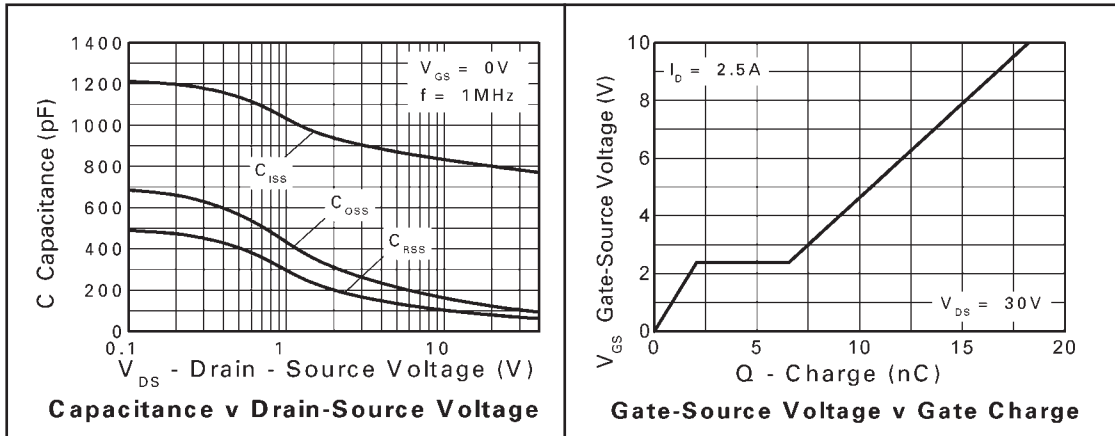
ZXMC4A16DN8

TYPICAL CHARACTERISTICS



ZXMC4A16DN8

TYPICAL CHARACTERISTICS



ZXMC4A16DN8

ELECTRICAL CHARACTERISTICS (at $T_{amb} = 25^{\circ}\text{C}$ unless otherwise stated)

PARAMETER	SYMBOL	MIN.	TYP.	MAX.	UNIT	CONDITIONS
STATIC						
Drain-Source Breakdown Voltage	$V_{(BR)DSS}$	-40			V	$I_D = -250\mu\text{A}$, $V_{GS} = 0\text{V}$
Zero Gate Voltage Drain Current	I_{DSS}			-1.0	μA	$V_{DS} = -40\text{V}$, $V_{GS} = 0\text{V}$
Gate-Body Leakage	I_{GSS}			100	nA	$V_{GS} = \pm 20\text{V}$, $V_{DS} = 0\text{V}$
Gate-Source Threshold Voltage	$V_{GS(th)}$	-1.0			V	$I_D = -250\mu\text{A}$, $V_{DS} = V_{GS}$
Static Drain-Source On-State Resistance ⁽¹⁾	$R_{DS(on)}$			0.060 0.100	Ω	$V_{GS} = -10\text{V}$, $I_D = -3.8\text{A}$ $V_{GS} = -4.5\text{V}$, $I_D = -2.9\text{A}$
Forward Transconductance ^{(1) (3)}	g_{fs}		6.8		S	$V_{DS} = -15\text{V}$, $I_D = -3.8\text{A}$
DYNAMIC ⁽³⁾						
Input Capacitance	C_{iss}		1000		pF	$V_{DS} = -20\text{V}$, $V_{GS} = 0\text{V}$ $f = 1\text{MHz}$
Output Capacitance	C_{oss}		180		pF	
Reverse Transfer Capacitance	C_{rss}		160		pF	
SWITCHING ^{(2) (3)}						
Turn-On-Delay Time	$t_{d(on)}$		3.7		ns	$V_{DD} = -20\text{V}$, $I_D = -1\text{A}$ $R_G \cong 6.0\Omega$, $V_{GS} = 10\text{V}$
Rise Time	t_r		5.5		ns	
Turn-Off Delay Time	$t_{d(off)}$		33		ns	
Fall Time	t_f		18		ns	
Gate Charge	Q_g		15		nC	$V_{DS} = -20\text{V}$, $V_{GS} = -5\text{V}$ $I_D = -3.8\text{A}$
Total Gate Charge	Q_g		26		nC	$V_{DS} = -20\text{V}$, $V_{GS} = -10\text{V}$ $I_D = -3.8\text{A}$
Gate-Source Charge	Q_{gs}		3.2		nC	
Gate Drain Charge	Q_{gd}		7.3		nC	
SOURCE-DRAIN DIODE						
Diode Forward Voltage ⁽¹⁾	V_{SD}		-0.86	-0.95	V	$T_j = 25^{\circ}\text{C}$, $I_S = -3.4\text{A}$, $V_{GS} = 0\text{V}$
Reverse Recovery Time ⁽³⁾	t_{rr}		27		ns	$T_j = 25^{\circ}\text{C}$, $I_S = -3\text{A}$,
Reverse Recovery Charge ⁽³⁾	Q_{rr}		25		nC	$di/dt = 100\text{A}/\mu\text{s}$

NOTES

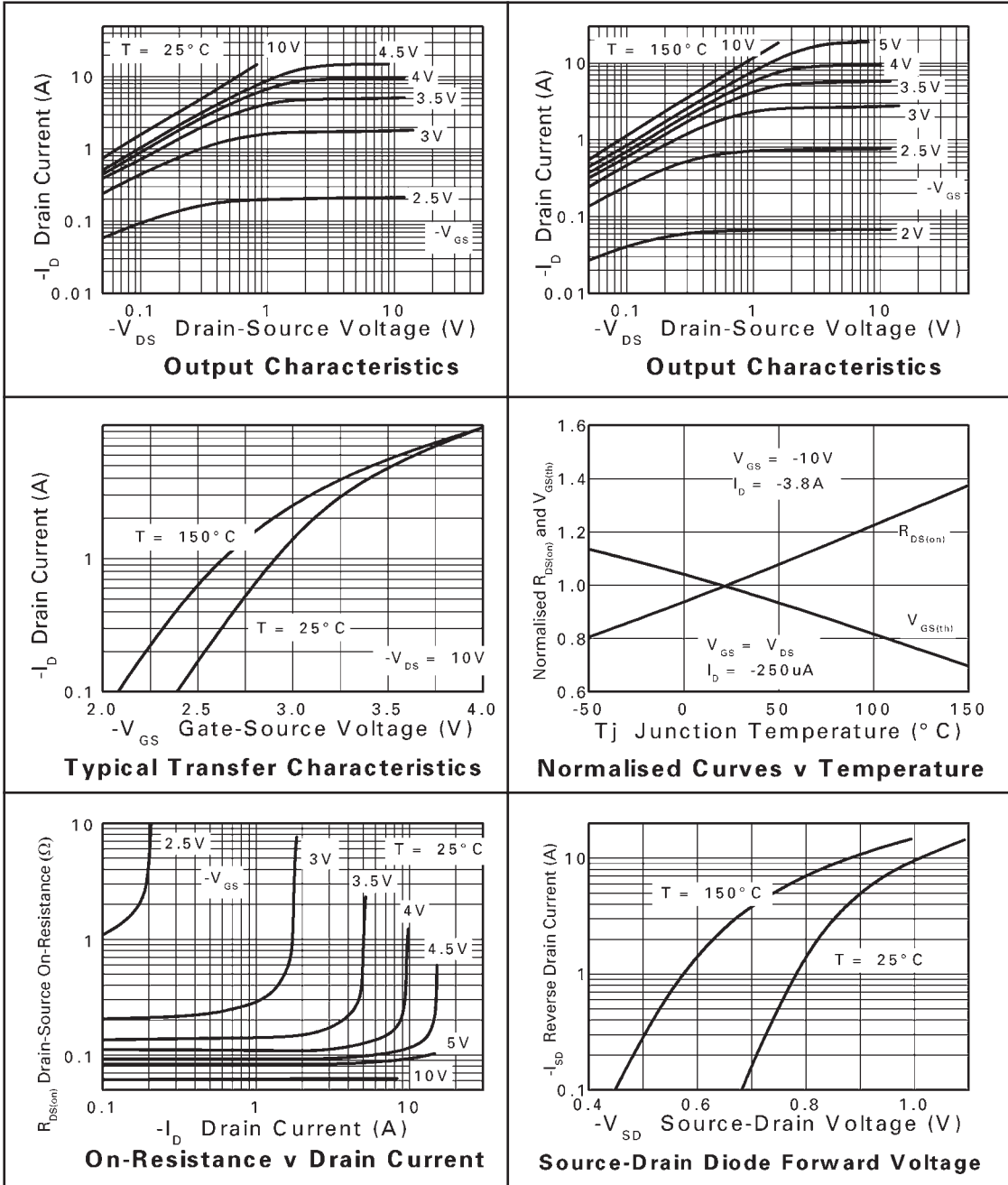
(1) Measured under pulsed conditions. Pulse width $\leq 300\mu\text{s}$; duty cycle $\leq 2\%$.

(2) Switching characteristics are independent of operating junction temperature.

(3) For design aid only, not subject to production testing.

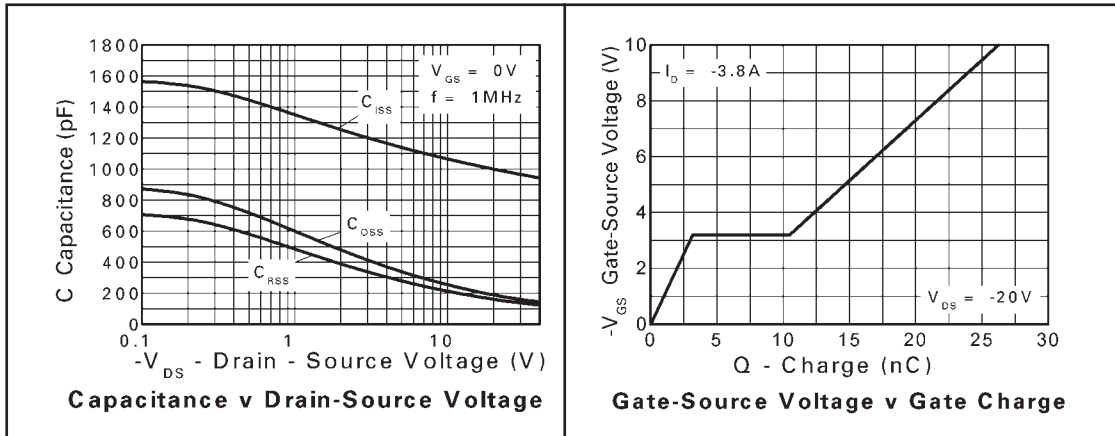
ZXMC4A16DN8

TYPICAL CHARACTERISTICS



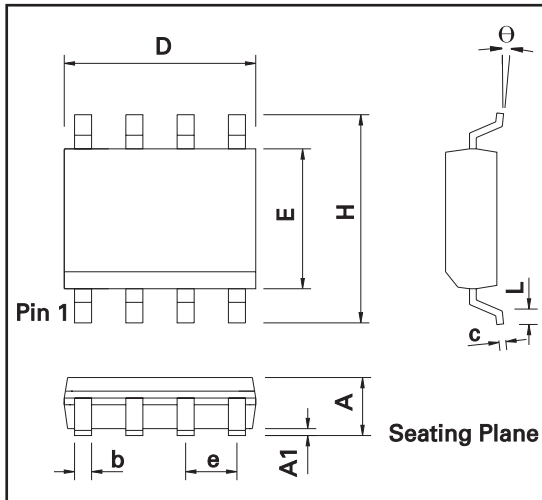
ZXMC4A16DN8

TYPICAL CHARACTERISTICS



ZXMC4A16DN8

PACKAGE OUTLINE



Controlling dimensions are in millimeters. Approximate conversions are given in inches

PACKAGE DIMENSIONS

DIM	Millimeters		Inches		DIM	Millimeters		Inches	
	Min	Max	Min	Max		Min	Max	Min	Max
A	1.35	1.75	0.053	0.069	e	1.27 BSC		0.050 BSC	
A1	0.10	0.25	0.004	0.010	b	0.33	0.51	0.013	0.020
D	4.80	5.00	0.189	0.197	c	0.19	0.25	0.008	0.010
H	5.80	6.20	0.228	0.244	θ	0°	8°	0°	8°
E	3.80	4.00	0.150	0.157	h	0.25	0.50	0.010	0.020
L	0.40	1.27	0.016	0.050	-	-	-	-	-

© Zetex Semiconductors plc 2004

Europe	Americas	Asia Pacific	Corporate Headquarters
Zetex GmbH Streitfeldstraße 19 D-81673 München Germany	Zetex Inc 700 Veterans Memorial Hwy Hauppauge, NY 11788 USA	Zetex (Asia) Ltd 3701-04 Metroplaza Tower 1 Hing Fong Road, Kwai Fong Hong Kong	Zetex Semiconductors plc Lansdowne Road, Chadderton Oldham, OL9 9TY United Kingdom
Telefon: (49) 89 45 49 49 0 Fax: (49) 89 45 49 49 49 europa.sales@zetex.com	Telephone: (1) 631 360 2222 Fax: (1) 631 360 8222 usa.sales@zetex.com	Telephone: (852) 26100 611 Fax: (852) 24250 494 asia.sales@zetex.com	Telephone (44) 161 622 4444 Fax: (44) 161 622 4446 hq@zetex.com

These offices are supported by agents and distributors in major countries world-wide.

This publication is issued to provide outline information only which (unless agreed by the Company in writing) may not be used, applied or reproduced for any purpose or form part of any order or contract or be regarded as a representation relating to the products or services concerned. The Company reserves the right to alter without notice the specification, design, price or conditions of supply of any product or service.

For the latest product information, log on to www.zetex.com



ISSUE 1 - NOVEMBER 2004

Looking for pricing, stock, or lifecycle information?

Click below to explore more details on WIN SOURCE:

 [View ZXMC4A16DN8TA on WIN SOURCE](#)

 [Diodes Incorporated Information](#)

Optimize Your Supply Chain with WIN SOURCE Solutions

-  Global Sourcing Solution
-  Obsolete Management
-  Cost Control Management
-  Shortage Management
-  Alternative Solution
-  Excess Inventory Management