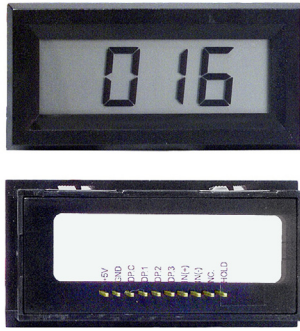




# THE DATASHEET OF DK112





### FEATURES

- ▶ Space saving design only 0.67”(17mm) deep
- ▶ Occupies less than 2.5 x 1.1 inches of front panel space
- ▶ High contrast LCD
- ▶ 3½ digits with 0.39” LCD
- ▶ Snap-In bezel eliminates the need for mounting hardware
- ▶ Low power requirement (3mA) is ideal for battery powered applications
- ▶ User-selectable decimal points

### SPECIFICATIONS

#### DISPLAY

Digits: 3 ½ digits (±1999 counts)  
 Type: 0.39” (10mm) high contrast reflective LCD  
 automatic, “-” displayed.  
 Polarity: 3 position, user-selectable  
 Decimal Points: three lower order digits blank for  
 inputs >1999 & < -1999  
 Overrange:  
 Hold: display hold function is standard

#### INPUTS

Ranges: ±200.0 mV, ±2.000 V, ±20.00 VDC  
 Configuration: bipolar, differential  
 Protection: ±350 VDC, (±100 VDC on 200 mV range)  
 Impedance: >1 MΩ, (>10 MΩ on 200 mV range)

#### PERFORMANCE

Accuracy: ±(0.1% + 1 counts) typical  
 ±(0.2% + 2 counts) maximum  
 Conversion Rate: 3 per second  
 Normal Mode Rejection: >30 dB @ 60 Hz  
 Common Mode Range: ±1 VDC  
 Common Mode Rej.: >86 dB  
 Zero Adjustment: automatic  
 Warmup: 10 minutes typical  
 Temperature Coeff.: ±100 ppm per °C typical

#### ENVIRONMENT

Operating Range: 0 to 50 °C  
 Storage Range: -10 to 70 °C

#### POWER SUPPLY

Voltage: +5 VDC (±5%)  
 Current: 3 mA

#### MOUNTING

snap-in bezel mount

#### CONNECTION

10 pins, 0.025” square on 0.1” centers

### ORDERING INFO

#### PART NUMBER

#### METER INPUT

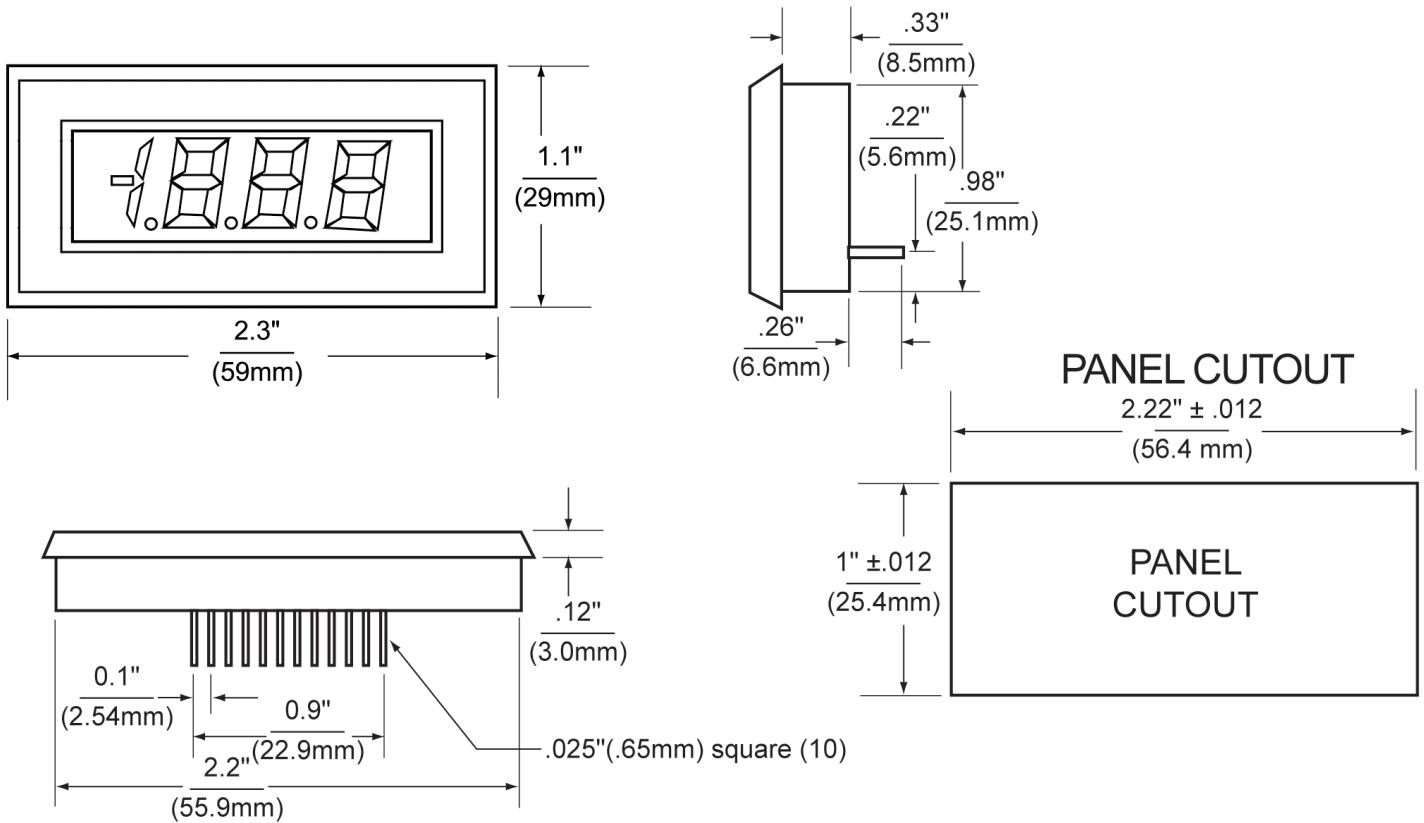
DK110 .....	200mV
DK111 .....	2V
DK112 .....	20V

#### ACCESSORIES

C10-5 .....	5" - 10 Pin Connector / Wire Assembly
J1C10 .....	12" - 10 Pin Connector / Wire Assembly
PW2-5 .....	Regulated 120V AC to 5V DC Power Supply
CVC .....	Calibrator



**DIMENSIONS**




**WIRING**

PIN	DESCRIPTION
+5V	+5V DPM POWER SUPPLY
GND	DPM POWER SUPPLY GROUND
DP.C	DECIMAL POINT RETURN
DP.1	1XX.X
DP.2	1X.XX
DP.3	1.XXXX
IN (+)	POSITIVE INPUT SIGNAL
IN (-)	NEGATIVE INPUT SIGNAL
NC	NO CONNECTION REQUIRED
HOLD	HOLD LAST DISPLAY

## Looking for pricing, stock, or lifecycle information?

Click below to explore more details on WIN SOURCE:

 [View DK112 on WIN SOURCE](#)

 [C-TON Industries](#) Information

## Optimize Your Supply Chain with WIN SOURCE Solutions

-  Global Sourcing Solution
-  Obsolete Management
-  Cost Control Management
-  Shortage Management
-  Alternative Solution
-  Excess Inventory Management