



THE DATASHEET OF
86280-2



DRAWINGS MADE IN AMERICAN PROJECTION

LOC
AD

PRINT DIST
B 34

© 1964 BY AMP INCORPORATED. ALL RIGHTS RESERVED. AMP PRODUCTS COVERED BY PATENTS AND/OR PATENTS PENDING.

REVISIONS

LTR	DESCRIPTION	DATE	APPROVED
A	REVISED MATL. 2280	10-20-69	m.S. RHF
A1	ADDED -3 1010	7-18-75	am
B	REV PER 0310-0025-96	16 DEC 96	CS

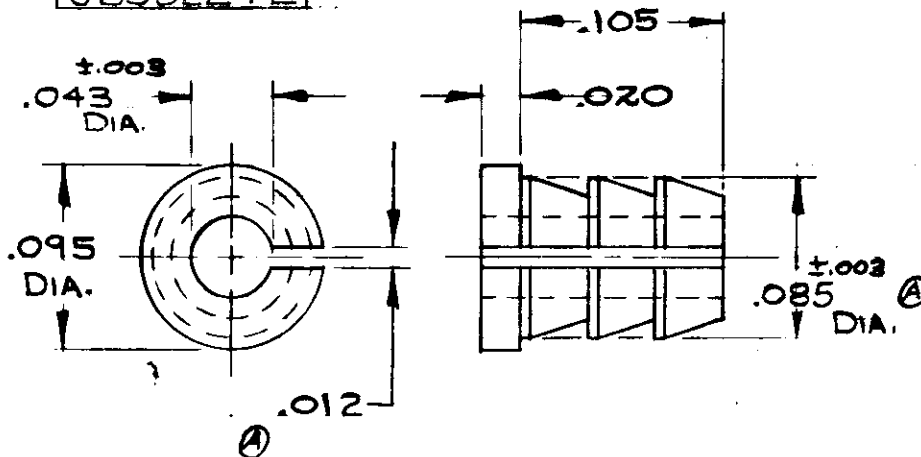
86280-1: 1. AS SHOWN.

86280-2: 1 SAME AS -1 EXCEPT:

.000030 GOLD OVER NICKEL

86280-3: 1 SAME AS -1 EXCEPT: FINISH IS .000300 MIN BRIGHT TIN OVER .000050 NICKEL

OBSOLETE



UNLESS OTHERWISE SPECIFIED DIMENSIONS ARE IN INCHES
TOLERANCES ON:
DECIMALS ±.005
ANGLES ±

CONTRACT NO.

DR. *E.H. Frantz 8-6-69*

CHK *J. Steide 8-6-69*

APPD *W. Felt 8-6-69*

REV *W. Felt 8-6-69*

DSGN APPD

OTHER APPD



AMP INCORPORATED
HARRISBURG, PENNSYLVANIA

NAME

BUSHING, GROUND

MATERIAL

BRASS

(A)

SIZE

A

CODE IDENT NO.

00779

NUMBER



86280

SCALE

SHEET

Looking for pricing, stock, or lifecycle information?

Click below to explore more details on WIN SOURCE:

-  [View 86280-2 on WIN SOURCE](#)
-  [TE Connectivity Information](#)

Optimize Your Supply Chain with WIN SOURCE Solutions

-  Global Sourcing Solution
-  Obsolete Management
-  Cost Control Management
-  Shortage Management
-  Alternative Solution
-  Excess Inventory Management