



THE DATASHEET OF STV8131



5 V and 8 V voltage regulator

Features

- Output currents up to 1 A
- Fixed precision output 1 voltage $5\text{ V} \pm 2\%$
- Fixed precision output 2 voltage $8\text{ V} \pm 2\%$
- Output 1 with disable by TTL input
- Output 2 with disable by TTL input
- Short circuit protection at both outputs
- Thermal protection
- Low drop output voltage

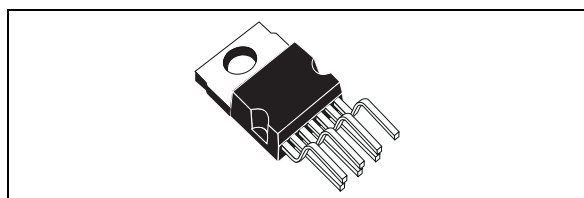


Table 1. Device summary

Order code	Package
STV8131	Tray

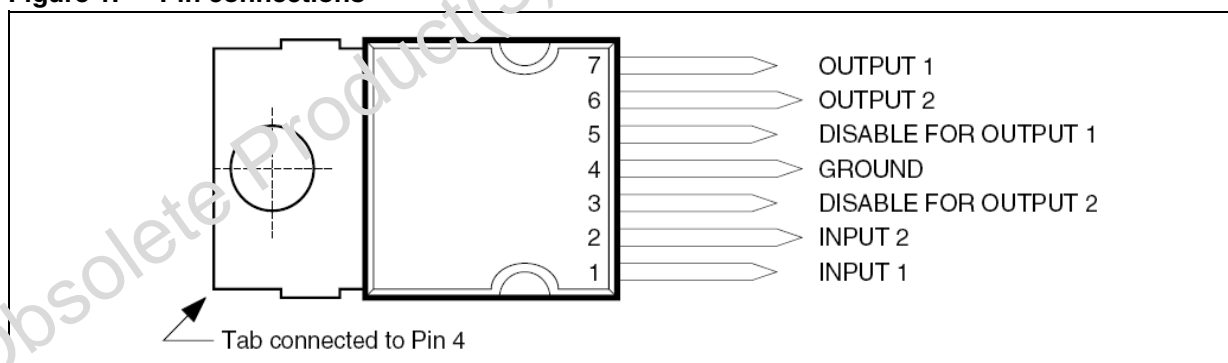
Description

The STV8131 is a monolithic dual positive voltage regulator designed to provide fixed precision output voltages of 5 V and 8 V at currents up to 1A.

Each output can be disabled separately by a TTL input.

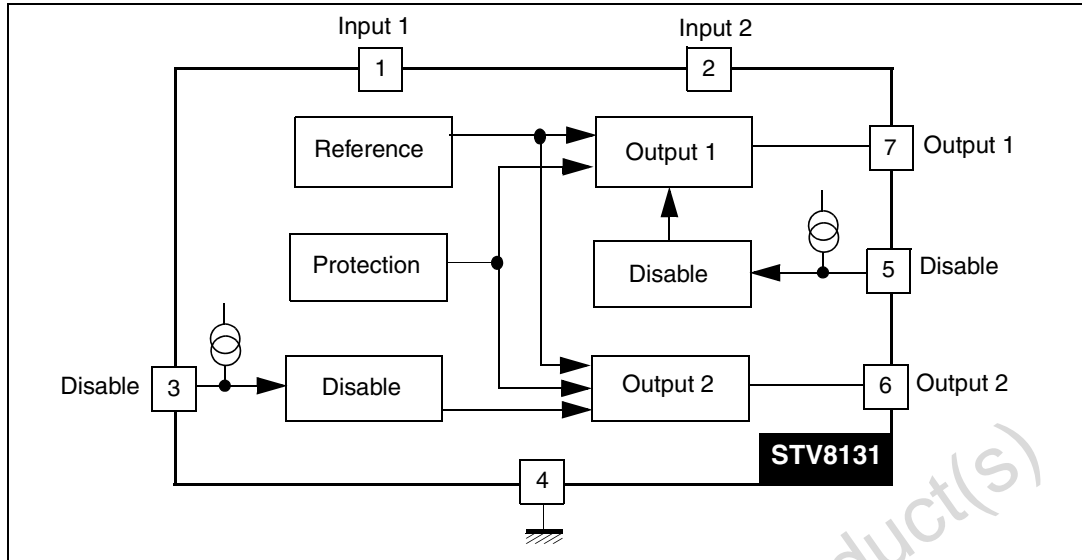
Short circuit and thermal protections are included.

Figure 1. Pin connections



1 Block diagram

Figure 2. Block diagram



2 Circuit description

The STV8131 is a dual voltage regulator with separate disable for each output.

The two regulation parts are supplied from one voltage reference circuit trimmed by zener zap during EWS test.

Since the supply voltage of this last is connected at Pin 1 (V_{IN1}), the regulator 2 will not work if Pin 1 is not supplied.

The outputs stage have been realized in a Darlington configuration with a drop typical 1.2V.

For each output a disable circuit switches-off this output if a voltage lower than 0.8V is applied at corresponding Pin (Pin 3 for output 2, Pin 5 for output 1).

3 Absolute maximum ratings

Table 2. Absolute maximum ratings

Symbol	Parameter	Value	Unit
V_{IN}	DC input voltage Pin 1	20	V
V_{DIS}	Disable Input voltage Pin 3-5	20	V
$I_{O1,2}$	Output currents	Internally limited	
P_t	Power dissipation	Internally limited	
T_{STG}	Storage temperature	- 65 to + 150	°C
T_J	Junction temperature	0 to + 150	°C

4 Thermal data

Table 3. Thermal data

Symbol	Parameter	Value	Unit
$R_{TH(j-c)}$	Thermal resistance junction-case	Max 3	°C/W
T_J	Recommended junction temperature	Max	°C

5 Electrical characteristics

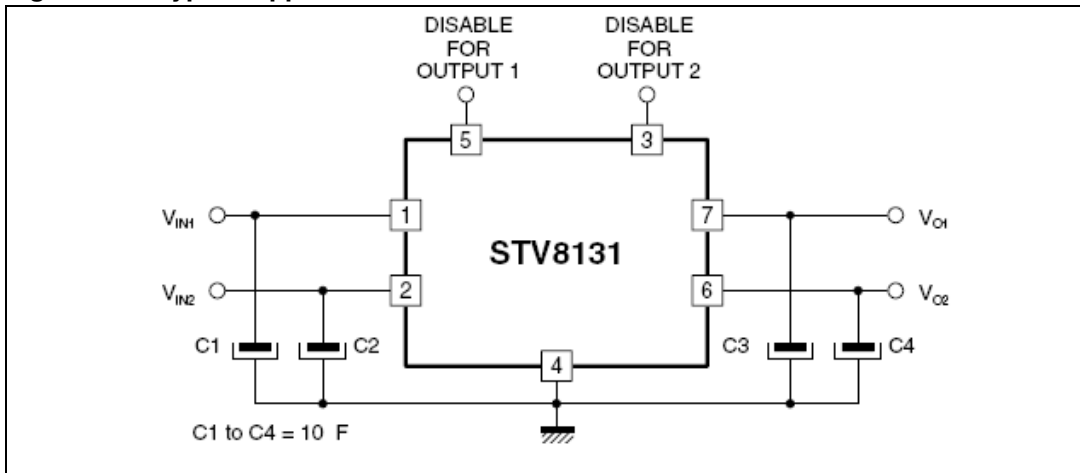
$V_{IN1} = 7\text{ V}$, $V_{IN2} = 10\text{ V}$, $T_J = 25\text{ °C}$ unless otherwise specified.

Table 4. Electrical characteristics

Symbol	Parameter	Test conditions	Min	Typical	Max	Unit
V_{O1}	Output voltage	$I_{O1} = 10\text{ mA}$	4.9	5	5.1	V
V_{O2}	Output voltage	$I_{O2} = 10\text{ mA}$	7.84	8	8.16	V
V_{O1} V_{O2}	Output voltage	$5\text{ mA} < I_{O1,2} < 750\text{ mA}$ $7\text{ V} < V_{IN1} < 14\text{ V}$ $10\text{ V} < V_{IN2} < 14\text{ V}$	4.8 7.7		5.2 8.3	V V
$V_{IO1,2}$	Dropout voltage	$I_{O1,2} = 750\text{ mA}$ $I_{O1,2} = 1\text{ A}$			1.4 2	V V
$V_{O1,2LI}$	Line regulation	$7\text{ V} < V_{IN1} < 14\text{ V}$ $10\text{ V} < V_{IN2} < 14\text{ V}$ $I_{O1,2} = 200\text{ mA}$			50 80	mV mV
$V_{O1,2LO}$	Load regulation	$5\text{ mA} < I_{O1} < 0.6\text{ A}$ $5\text{ mA} < I_{O2} < 0.6\text{ A}$			100 160	mV mV
I_Q	Quiescent current	$I_{O1} = 10\text{ mA}$ Output 2 disabled			2	mA
$K_{O1,2}$	Output voltage thermal drift	$K_0 = \frac{\Delta V_0 \cdot 10^6}{\Delta T \cdot V_0}$ $T_J = 0\text{ to } +125\text{ °C}$		100		ppm/°C
$I_{O1,2SC}$	Short circuit output current	$V_{IN1} = 7\text{ V}$, $V_{IN2} = 10\text{ V}$ $V_{IN2} = 16\text{ V}^{(1)}$			1.6 1	A A
V_{DISH}	Disable voltage high (corresponding out active)		2			V
V_{DISL}	Disable voltage low (corresponding out disabled)				0.8	V
I_{DIS}	Disable bias current	$0\text{ V} < V_{DIS} < 7\text{ V}$	-30		2	μA
T_{jsd}	Junction temperature for thermal shut down			145		°C

1. Safe permanent short-circuit is only guaranteed for input voltages up to 16 V.

Figure 3. Typical application



6 Package mechanical data

Figure 4. 9-pin package

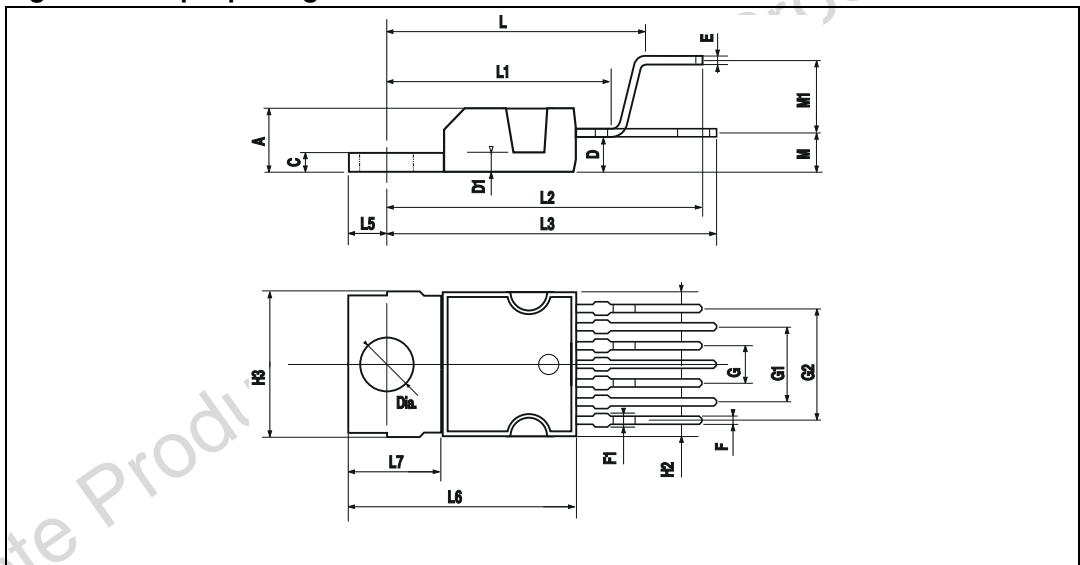


Table 5. JEDEC standard package dimensions

Dimensions	Millimeters			Inches		
	Minimum	Typical	Maximum	Minimum	Typical	Maximum
A			4.8			0.189
C			1.37			0.054
D	2.4		2.8	0.094		0.110
D1	1.2		1.35	0.047		0.053
E	0.35		0.55	0.014		0.022
F	0.6		0.8	0.024		0.031
F1			0.9			0.035
G	2.41	2.54	2.67	0.095	0.100	0.105
G1	4.91	5.08	5.21	0.193	0.200	0.205
G2	7.49	7.62	7.80	0.295	0.300	0.307
H2			10.4			0.409
H3	10.05		10.40	0.396		0.409
L		16.97			0.668	
L1		14.92			0.587	
L2		21.54			0.848	
L3		22.62			0.891	
L5	2.6		3.0	0.102		0.118
L6	15.10		15.80	0.594		0.622
L7	6.0		6.6	0.236		0.260
M		2.8			0.110	
M1		5.08			0.200	
Dia.	3.65		3.85	0.144		0.152

6.1 Environmentally-friendly packages

In order to meet environmental requirements, ST offers these devices in different grades of ECOPACK® packages, depending on their level of environmental compliance.

ECOPACK specifications, grade definitions and product status are available at: www.st.com. ECOPACK is an ST trademark.

7 Revision history

Table 6. Document revision history

Date	Revision	Changes
September 2003	1	Initial release
23-Feb-2009	2	Preliminary banner removed, template updated and Section 6.1 added

Obsolete Product(s) - Obsolete Product(s)

Please Read Carefully:

Information in this document is provided solely in connection with ST products. STMicroelectronics NV and its subsidiaries ("ST") reserve the right to make changes, corrections, modifications or improvements, to this document, and the products and services described herein at any time, without notice.

All ST products are sold pursuant to ST's terms and conditions of sale.

Purchasers are solely responsible for the choice, selection and use of the ST products and services described herein, and ST assumes no liability whatsoever relating to the choice, selection or use of the ST products and services described herein.

No license, express or implied, by estoppel or otherwise, to any intellectual property rights is granted under this document. If any part of this document refers to any third party products or services it shall not be deemed a license grant by ST for the use of such third party products or services, or any intellectual property contained therein or considered as a warranty covering the use in any manner whatsoever of such third party products or services or any intellectual property contained therein.

UNLESS OTHERWISE SET FORTH IN ST'S TERMS AND CONDITIONS OF SALE ST DISCLAIMS ANY EXPRESS OR IMPLIED WARRANTY WITH RESPECT TO THE USE AND/OR SALE OF ST PRODUCTS INCLUDING WITHOUT LIMITATION IMPLIED WARRANTIES OF MERCHANTABILITY, FITNESS FOR A PARTICULAR PURPOSE (AND THEIR EQUIVALENTS UNDER THE LAWS OF ANY JURISDICTION), OR INFRINGEMENT OF ANY PATENT, COPYRIGHT OR OTHER INTELLECTUAL PROPERTY RIGHT.

UNLESS EXPRESSLY APPROVED IN WRITING BY AN AUTHORIZED ST REPRESENTATIVE, ST PRODUCTS ARE NOT RECOMMENDED, AUTHORIZED OR WARRANTED FOR USE IN MILITARY, AIR CRAFT, SPACE, LIFE SAVING, OR LIFE SUSTAINING APPLICATIONS, NOR IN PRODUCTS OR SYSTEMS WHERE FAILURE OR MALFUNCTION MAY RESULT IN PERSONAL INJURY, DEATH, OR SEVERE PROPERTY OR ENVIRONMENTAL DAMAGE. ST PRODUCTS WHICH ARE NOT SPECIFIED AS "AUTOMOTIVE GRADE" MAY ONLY BE USED IN AUTOMOTIVE APPLICATIONS AT USER'S OWN RISK.

Resale of ST products with provisions different from the statements and/or technical features set forth in this document shall immediately void any warranty granted by ST for the ST product or service described herein and shall not create or extend in any manner whatsoever, any liability of ST.

ST and the ST logo are trademarks or registered trademarks of ST in various countries.

Information in this document supersedes and replaces all information previously supplied.

The ST logo is a registered trademark of STMicroelectronics. All other names are the property of their respective owners.

© 2009 STMicroelectronics - All rights reserved



STMicroelectronics group of companies

Australia - Belgium - Brazil - Canada - China - Czech Republic - Finland - France - Germany - Hong Kong - India - Israel - Italy - Japan - Malaysia - Malta - Morocco - Singapore - Spain - Sweden - Switzerland - United Kingdom - United States of America

www.st.com

Looking for pricing, stock, or lifecycle information?

Click below to explore more details on WIN SOURCE:

-  [View STV8131 on WIN SOURCE](#)
-  [STMicroelectronics Information](#)

Optimize Your Supply Chain with WIN SOURCE Solutions

-  Global Sourcing Solution
-  Obsolete Management
-  Cost Control Management
-  Shortage Management
-  Alternative Solution
-  Excess Inventory Management