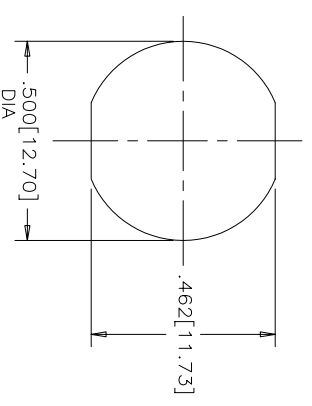
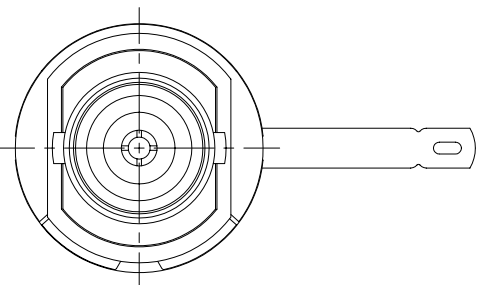
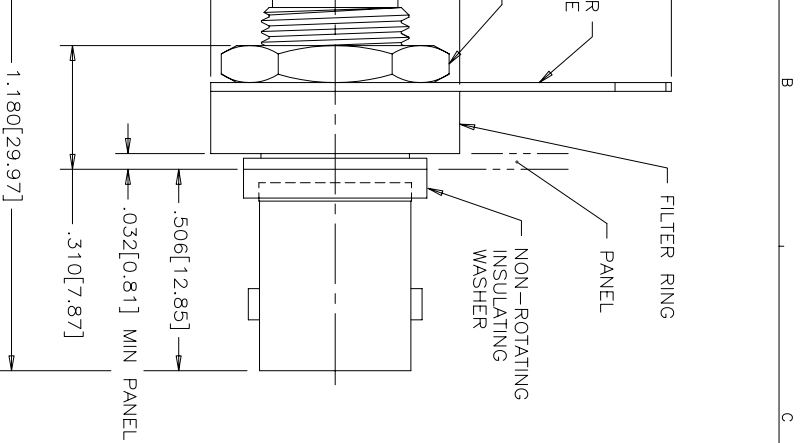




**THE DATASHEET OF**  
**456E107S**





RECOMMENDED PANEL  
CUT-OUT

REVISIONS		
REV	ECN, ERN NO.	DATE
A	PRODUCT DRAWING (EAR 13136)	JUN18/07
		APPRD. K.L.

ELECTRICAL SPECIFICATIONS:

ANT PER EU DIRECTIVE CAPACITANCE: 10,000 pF ±20%  
 DIELECTRIC WITHSTANDING VOLTAGE: 600 VDC  
 WORKING VOLTAGE: 200 VDC  
 IMPEDANCE: 50 OHMS  
 OPERATING TEMPERATURE: -20°C TO +85°C

SS  
 LVER PLATED  
 PHOSPHOR BRONZE  
 ASTIC  
 TIC  
 CONSISTS OF ONE OF EACH OF  
 ASHER, FILTER RING, GROUND

AMPHENOL PART NUMBER 456E-107S



DRAWN K. LAMBLIE	DATE JUN18/07
DESIGNED	
CHECKED	
I. E. APPRD.	
O. A. APPRD.	
DWG. APPRD.	
ENG. REL. NO.	
REF. EAR 13136	
DIMENSIONS ARE IN CODE ID. NO. INCHES [mm]	
	03554

Amphenol Canada Corp.	
456E SERIES B.N.C. CAPACITIVELY DECOUPLED CONNECTOR, FRONT MOUNT, SOLDER CUP, SILVER PLATED CONTACT, ROHS COMPLIANT	
DWG	DRAWING NO.
C	P-456E-107S
SCALE	4/1
WT.	
SURF.	
SHEET	1 OF 1
REV.	A

FOR ANY PURPOSE OR USED FOR MANUFACTURING  
 INFORMATION FROM AMPHENOL CANADA CORP.

B C D E F

## Looking for pricing, stock, or lifecycle information?

Click below to explore more details on WIN SOURCE:

- ⊖ [View 456E107S on WIN SOURCE](#)
- ⊖ [Amphenol Commercial Products Information](#)

## Optimize Your Supply Chain with WIN SOURCE Solutions

- ✓ Global Sourcing Solution
- ✓ Obsolete Management
- ✓ Cost Control Management
- ✓ Shortage Management
- ✓ Alternative Solution
- ✓ Excess Inventory Management