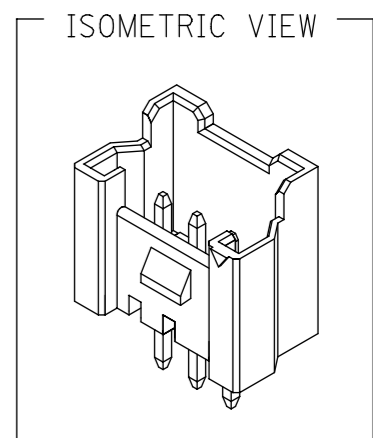
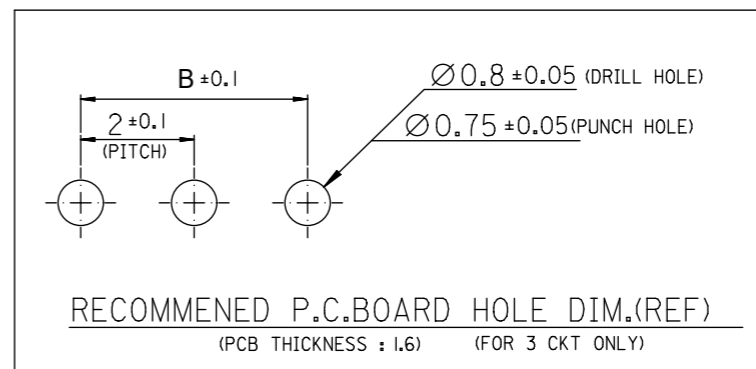
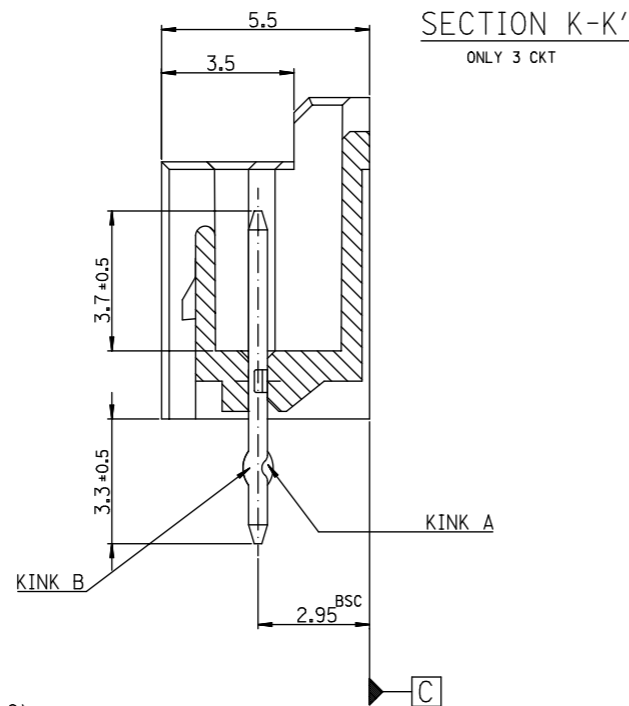
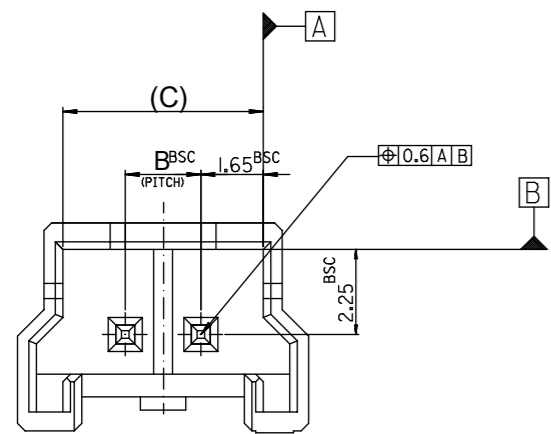




THE DATASHEET OF
353620350



FOR 2 & 3 CKTS.



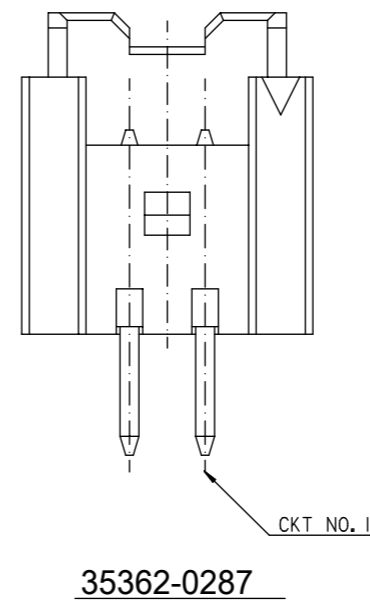
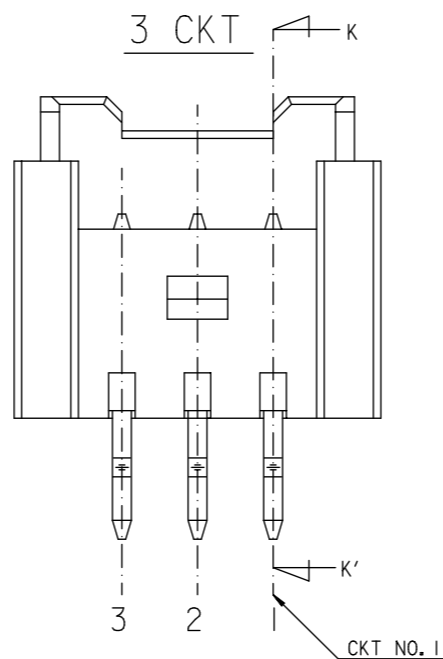
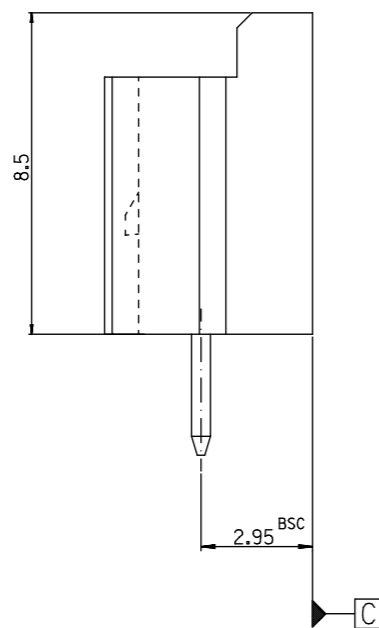
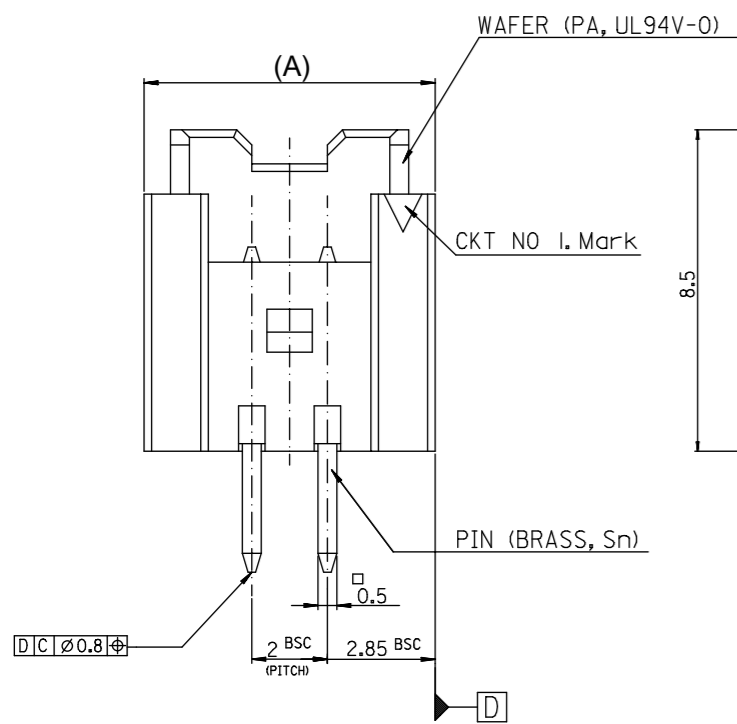
LEGEND

SD-35362-****
CKT NO. _____ COLOR _____

FINAL GOOD (BULK)
SUB ASSY (TUBE)

- 5 : SELECTIVE KINK (LEAD FREE)
- 6 : NONE KINK (LEAD FREE)
- 7 : SELECTIVE KINK (LEAD FREE)
- 8 : NONE KINK (LEAD FREE)

- 0 : NATURAL
- 1 : BLACK
- 2 : RED
- 3 : YELLOW
- 4 : BLUE
- 5 : GREEN
- 6 : TUBE PACKING (Natural Color)
- 7 : TUBE PACKING (Red Color)
- 8 : TUBE PACKING (Blue Color)



NOTES

- MATERIAL : UNFILLED POLYAMIDE, UL94V-0
PIN : BRASS
- FINISHES : PIN - Tin(Sn) 1.0~3.0m OVERALL
Cu 1.5~3.75m OVERALL
- PRODUCT SPECIFICATION : PS-35507-003
- MATING HOUSING : 35507-**0*
MATING TERMINAL : 50212-8000

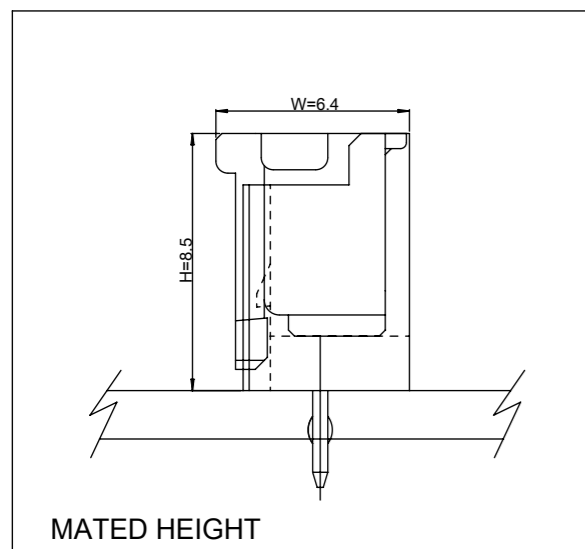
5. KINK

CKT NO.	1	2	3
2 CKT			
3 CKT	A	B	A

6. 35362-0287 IS ONLY KINKED 2P

CKT NO.	1	2
PRODUCT NO.		
35362-0287	A	B

7.3	4	9.7	3536203**	35362-03**	3
5.3	2	7.7	3536202**	35362-02**	2
(C)	B	(A)	MATERIAL NO.	ENG. NO.	CKT



LEAD FREE		SYMBOLS		THIS DRAWING CONTAINS INFORMATION THAT IS PROPRIETARY TO MOLEX ELECTRONIC TECHNOLOGIES, LLC AND SHOULD NOT BE USED WITHOUT WRITTEN PERMISSION	
30 over	±0.3	▽ = 0	mm	SCALE	5:1
10 over 30 under	±0.25	▽ = 0	GENERAL TOLERANCES (UNLESS SPECIFIED)		
10 under	±0.2	▽ = 0	ANGULAR TOL ± °		
ANGLE	±3°	▽ = 0	CURRENT REV DESC:		
GENERAL TOLERANCE		□ = 0	EC NO: 605910		
		▽ = 0	DRWN: JSSHIN 2018/10/11		
		▽ = 0	CHK'D: SHCHU 2018/10/15		
		▽ = 0	APPR: YSKIM02 2018/10/16		
		▽ = 0	INITIAL REVISION:		
		▽ = 0	DRWN: KSKIM 2005/04/29		
		▽ = 0	APPR: CHANGWOOLEE 2005/05/03		
		▽ = 0	DRAFT WHERE APPLICABLE MUST REMAIN WITHIN DIMENSIONS		
		▽ = 0	THIRD ANGLE PROJECTION		
		▽ = 0	DRAWING		
		▽ = 0	SERIES		
		▽ = 0	MATERIAL NUMBER		
		▽ = 0	CUSTOMER		
		▽ = 0	SHEET NUMBER		
		▽ = 0	A3-SIZE 35362		
		▽ = 0	SEE TABLE		
		▽ = 0	GENERAL MARKET		
		▽ = 0	1 OF 1		

DOCUMENT STATUS	RELEASE DATE
-----------------	--------------

Looking for pricing, stock, or lifecycle information?

Click below to explore more details on WIN SOURCE:

 [View 353620350 on WIN SOURCE](#)

 [Molex, LLC Information](#)

Optimize Your Supply Chain with WIN SOURCE Solutions

-  Global Sourcing Solution
-  Obsolete Management
-  Cost Control Management
-  Shortage Management
-  Alternative Solution
-  Excess Inventory Management