



**THE DATASHEET OF
UA78M05CDCYRG3**



μA78Mxx Positive-Voltage Regulators

1 Features

- 3-Terminal Regulators
- Output Current up to 500 mA
- No External Components
- Internal Thermal-Overload Protection
- High Power-Dissipation Capability
- Internal Short-Circuit Current Limiting
- Output Transistor Safe-Area Compensation

2 Applications

- On-Card Regulation
- Portable Devices
- Computing & Servers
- Telecommunications

3 Description

This series of fixed-voltage integrated-circuit voltage regulators is designed for a wide range of applications. The applications include on-card regulation for elimination of noise and distribution problems associated with single-point regulation. Each of these regulators can deliver up to 500 mA of output current. The internal current-limiting and thermal-shutdown features of these regulators essentially make them immune to overload. In addition to use as fixed-voltage regulators, these devices can be used with external components to obtain adjustable output voltages and currents and also as the power-pass element in precision regulators.

Device Information⁽¹⁾

| PART NUMBER | PACKAGE | BODY SIZE (NOM) |
|-------------|-------------|--------------------|
| UA78Mxx | SOT-223 (3) | 6.50 mm x 3.50 mm |
| | TO-220 (3) | 10.16 mm x 8.82 mm |
| | TO-252 (3) | 6.60 mm x 6.10 mm |

(1) For all available packages, see the orderable addendum at the end of the data sheet.

4 Simplified Schematic

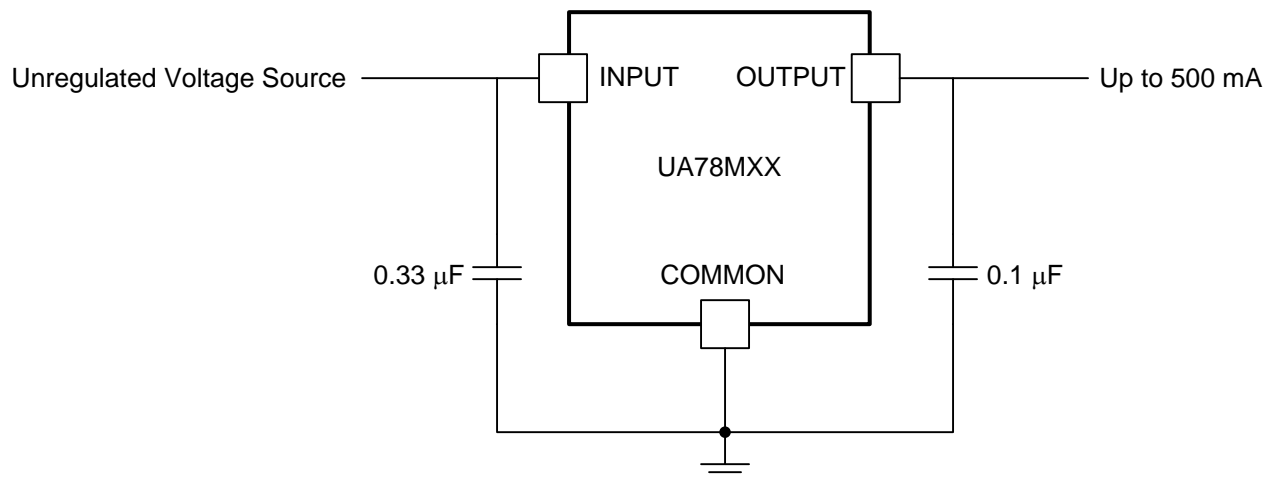


Table of Contents

| | | | |
|--------------------------------------------------|----------|------------------------------------------------------------------|-----------|
| 1 Features | 1 | 7.14 Typical Characteristics | 9 |
| 2 Applications | 1 | 8 Detailed Description | 10 |
| 3 Description | 1 | 8.1 Overview | 10 |
| 4 Simplified Schematic | 1 | 8.2 Functional Block Diagram | 10 |
| 5 Revision History | 2 | 8.3 Feature Description | 10 |
| 6 Pin Configuration and Functions | 3 | 8.4 Device Functional Modes | 10 |
| 7 Specifications | 4 | 9 Application and Implementation | 11 |
| 7.1 Absolute Maximum Ratings | 4 | 9.1 Application Information | 11 |
| 7.2 ESD Ratings | 4 | 9.2 Typical Application | 11 |
| 7.3 Recommended Operating Conditions | 4 | 10 Power Supply Recommendations | 13 |
| 7.4 Thermal Information | 4 | 11 Layout | 13 |
| 7.5 Electrical Characteristics — uA78M33C | 5 | 11.1 Layout Guidelines | 13 |
| 7.6 Electrical Characteristics — uA78M33I | 5 | 11.2 Layout Example | 13 |
| 7.7 Electrical Characteristics — uA78M05C | 6 | 12 Device and Documentation Support | 14 |
| 7.8 Electrical Characteristics — uA78M05I | 6 | 12.1 Related Links | 14 |
| 7.9 Electrical Characteristics — uA78M06C | 7 | 12.2 Trademarks | 14 |
| 7.10 Electrical Characteristics — uA78M08C | 7 | 12.3 Electrostatic Discharge Caution | 14 |
| 7.11 Electrical Characteristics — uA78M09C | 8 | 12.4 Glossary | 14 |
| 7.12 Electrical Characteristics — uA78M10C | 8 | 13 Mechanical, Packaging, and Orderable Information | 14 |
| 7.13 Electrical Characteristics — uA78M12C | 9 | | |

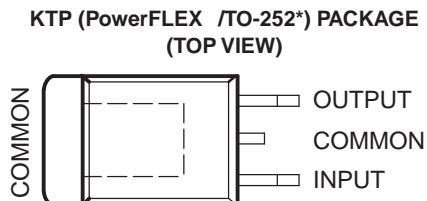
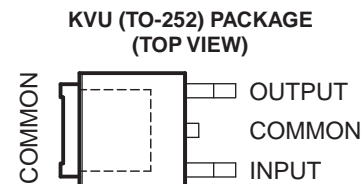
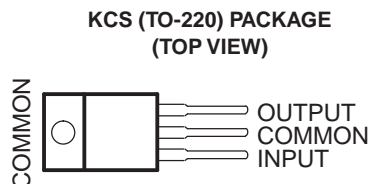
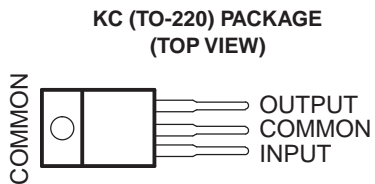
5 Revision History

| Changes from Revision S (May 2013) to Revision T | Page |
|---------------------------------------------------------------------------------------------------------------------------------------------------------------------------------------------------------------------------------------------------------------------------------------------------------------------------------------------------------------------------------------------------------------------------------------------------------------------------------------------------------------------------------------------------------|------|
| <ul style="list-style-type: none"> Added <i>Applications</i>, <i>Device Information</i> table, <i>Pin Functions</i> table, <i>ESD Ratings</i> table, <i>Thermal Information</i> table, <i>Typical Characteristics</i>, <i>Feature Description</i> section, <i>Device Functional Modes</i>, <i>Application and Implementation</i> section, <i>Power Supply Recommendations</i> section, <i>Layout</i> section, <i>Device and Documentation Support</i> section, and <i>Mechanical, Packaging, and Orderable Information</i> section. | 1 |

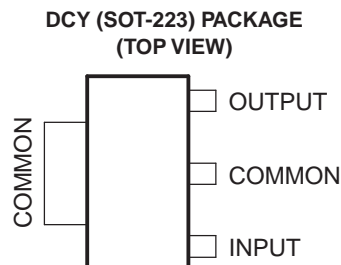
| Changes from Revision R (February 2013) to Revision S | Page |
|--------------------------------------------------------------------------------------------|------|
| <ul style="list-style-type: none"> Removed Ordering Information table. | 1 |

| Changes from Revision Q (April 2010) to Revision R | Page |
|---------------------------------------------------------------------------------------------------------|------|
| <ul style="list-style-type: none"> Removed obsolete part information from document. | 1 |

6 Pin Configuration and Functions



* Complies with JEDEC TO-252, variation AC



Pin Functions

| PIN | | TYPE | DESCRIPTION |
|--------|-----|------|----------------|
| NAME | NO. | | |
| COMMON | 2 | — | Ground |
| INPUT | 1 | I | Supply Input |
| OUTPUT | 3 | O | Voltage Output |

7 Specifications

7.1 Absolute Maximum Ratings

over virtual junction temperature range (unless otherwise noted) ⁽¹⁾

| | MIN | MAX | UNIT |
|-------------------------------------------------------|-----|-----|------|
| V _I Input voltage | | 35 | V |
| T _J Operating virtual junction temperature | | 150 | °C |
| T _{stg} Storage temperature range | -65 | 150 | °C |

- (1) Stresses beyond those listed under *Absolute Maximum Ratings* may cause permanent damage to the device. These are stress ratings only, and functional operation of the device at these or any other conditions beyond those indicated under *Recommended Operating Conditions* is not implied. Exposure to absolute-maximum-rated conditions for extended periods may affect device reliability.

7.2 ESD Ratings

| | VALUE | UNIT |
|--------------------------------------------|------------------------------------------------------------------------------------------|------|
| V _(ESD) Electrostatic discharge | Human body model (HBM), per ANSI/ESDA/JEDEC JS-001, all pins ⁽¹⁾ | 2500 |
| | Charged device model (CDM), per JEDEC specification JESD22-C101, all pins ⁽²⁾ | 2000 |

- (1) JEDEC document JEP155 states that 500-V HBM allows safe manufacturing with a standard ESD control process.
 (2) JEDEC document JEP157 states that 250-V CDM allows safe manufacturing with a standard ESD control process.

7.3 Recommended Operating Conditions

| | MIN | MAX | UNIT |
|-------------------------------------------------------|----------|------|------|
| V _I Input voltage | uA78M33 | 5.3 | 25 |
| | uA78M05 | 7 | 25 |
| | uA78M06 | 8 | 25 |
| | uA78M08 | 10.5 | 25 |
| | uA78M09 | 11.5 | 26 |
| | uA78M10 | 12.5 | 28 |
| | uA78M12 | 14.5 | 30 |
| | uA78M15 | 17.5 | 30 |
| I _O Output current | | 500 | mA |
| T _J Operating virtual junction temperature | uA78MxxC | 0 | 125 |
| | uA78MxxI | -40 | 125 |

7.4 Thermal Information

| THERMAL METRIC ⁽¹⁾ | UA78Mxx | | | | | UNIT |
|-----------------------------------------------------------------------|---------|--------|--------|--------|--------|------|
| | DCY | KC | KCS | KTP | KVU | |
| | 3 PINS | 3 PINS | 3 PINS | 3 PINS | 3 PINS | |
| R _{θJA} Junction-to-ambient thermal resistance | 53 | 19 | 19 | 28 | 30.3 | °C/W |
| R _{θJC(top)} Junction-to-case (top) thermal resistance | 30.6 | 17 | 17 | 19 | — | |
| R _{θJC(bottom)} Junction-to-case (bottom) thermal resistance | — | 3 | 3 | 1.4 | — | |

- (1) For more information about traditional and new thermal metrics, see the *IC Package Thermal Metrics* application report, [SPRA953](#).

7.5 Electrical Characteristics — uA78M33C

at specified virtual junction temperature, $V_I = 8\text{ V}$, $I_O = 350\text{ mA}$, $T_J = 25^\circ\text{C}$ (unless otherwise noted)

| PARAMETER ⁰ | TEST CONDITIONS ⁽¹⁾ | uA78M33C | | | UNIT | |
|-------------------------------------------|-----------------------------------------------------------------------------|-------------------------------------------------------------------------------------|-----|-----|------|-------|
| | | MIN | TYP | MAX | | |
| Output voltage ⁽²⁾ | $I_O = 5\text{ mA to }350\text{ mA}$, $V_I = 8\text{ V to }20\text{ V}$ | $T_J = 0^\circ\text{C to }125^\circ\text{C}$ | 3.2 | 3.3 | 3.4 | V |
| | | $T_J = 0^\circ\text{C to }125^\circ\text{C}$ | 3.1 | 3.3 | 3.5 | |
| Input voltage regulation | $I_O = 200\text{ mA}$ | $V_I = 5.3\text{ V to }25\text{ V}$ | | 9 | 100 | mV |
| | | $V_I = 8\text{ V to }25\text{ V}$ | | 3 | 50 | |
| Ripple rejection | $V_I = 8\text{ V to }18\text{ V}$, $f = 120\text{ Hz}$ | $I_O = 100\text{ mA}$, $T_J = 0^\circ\text{C to }125^\circ\text{C}$ | 62 | | | dB |
| | | $I_O = 300\text{ mA}$ | 62 | 80 | | |
| Output voltage regulation | $V_I = 8\text{ V}$, | $I_O = 5\text{ mA to }500\text{ mA}$ | | 20 | 100 | mV |
| Temperature coefficient of output voltage | $I_O = 5\text{ mA}$, | $T_J = 0^\circ\text{C to }125^\circ\text{C}$ | | -1 | | mV/°C |
| Output noise voltage | $f = 10\text{ Hz to }100\text{ kHz}$ | | 40 | 200 | | μV |
| Dropout voltage | | | | 2 | | V |
| Bias current | | | | 4.5 | 6 | mA |
| Bias current change | $I_O = 200\text{ mA}$, $I_O = 5\text{ mA to }350\text{ mA}$, | $V_I = 8\text{ V to }25\text{ V}$, $T_J = 0^\circ\text{C to }125^\circ\text{C}$ | | | 0.8 | mA |
| | | $T_J = 0^\circ\text{C to }125^\circ\text{C}$ | | | 0.5 | |
| Short-circuit output current | $V_I = 35\text{ V}$ | | | 300 | | mA |
| Peak output current | | | | 700 | | mA |

(1) All characteristics are measured with a 0.33-μF capacitor across the input and a 0.1-μF capacitor across the output. Pulse-testing techniques maintain T_J as close to T_A as possible. Thermal effects must be taken into account separately.

(2) This specification applies only for dc power dissipation permitted by [Absolute Maximum Ratings](#).

7.6 Electrical Characteristics — uA78M33I

at specified virtual junction temperature, $V_I = 8\text{ V}$, $I_O = 350\text{ mA}$, $T_J = 25^\circ\text{C}$ (unless otherwise noted)

| PARAMETER | TEST CONDITIONS ⁽¹⁾ | uA78M33I | | | UNIT | |
|-------------------------------------------|-----------------------------------------------------------------------------|---------------------------------------------------------------------------------------|-----|-----|------|-------|
| | | MIN | TYP | MAX | | |
| Output voltage ⁽²⁾ | $I_O = 5\text{ mA to }350\text{ mA}$, $V_I = 8\text{ V to }20\text{ V}$ | $T_J = -40^\circ\text{C to }125^\circ\text{C}$ | 3.2 | 3.3 | 3.4 | V |
| | | $T_J = -40^\circ\text{C to }125^\circ\text{C}$ | 3.1 | 3.3 | 3.5 | |
| Input voltage regulation | $I_O = 200\text{ mA}$ | $V_I = 5.3\text{ V to }25\text{ V}$ | | 9 | 100 | mV |
| | | $V_I = 8\text{ V to }25\text{ V}$ | | 3 | 50 | |
| Ripple rejection | $V_I = 8\text{ V to }18\text{ V}$, $f = 120\text{ Hz}$ | $I_O = 100\text{ mA}$, $T_J = -40^\circ\text{C to }125^\circ\text{C}$ | 62 | | | dB |
| | | $I_O = 300\text{ mA}$ | 62 | 80 | | |
| Output voltage regulation | $V_I = 8\text{ V}$, | $I_O = 5\text{ mA to }500\text{ mA}$ | | 20 | 100 | mV |
| Temperature coefficient of output voltage | $I_O = 5\text{ mA}$, | $T_J = -40^\circ\text{C to }125^\circ\text{C}$ | | -1 | | mV/°C |
| Output noise voltage | $f = 10\text{ Hz to }100\text{ kHz}$ | | 40 | 200 | | μV |
| Dropout voltage | | | | 2 | | V |
| Bias current | | | | 4.5 | 6 | mA |
| Bias current change | $I_O = 200\text{ mA}$, $I_O = 5\text{ mA to }350\text{ mA}$, | $V_I = 8\text{ V to }25\text{ V}$, $T_J = -40^\circ\text{C to }125^\circ\text{C}$ | | | 0.8 | mA |
| | | $T_J = -40^\circ\text{C to }125^\circ\text{C}$ | | | 0.5 | |
| Short-circuit output current | $V_I = 35\text{ V}$ | | | 300 | | mA |
| Peak output current | | | | 700 | | mA |

(1) All characteristics are measured with a 0.33-μF capacitor across the input and a 0.1-μF capacitor across the output. Pulse-testing techniques maintain T_J as close to T_A as possible. Thermal effects must be taken into account separately.

(2) This specification applies only for dc power dissipation permitted by [Absolute Maximum Ratings](#).

7.7 Electrical Characteristics — uA78M05C

 at specified virtual junction temperature, $V_I = 10\text{ V}$, $I_O = 350\text{ mA}$, $T_J = 25^\circ\text{C}$ (unless otherwise noted)

| PARAMETER | TEST CONDITIONS ⁽¹⁾ | uA78M05C | | | UNIT | |
|-------------------------------------------|----------------------------------------------------------------------------------------------------------|----------------------------------------------------------------------|------|-----|---------------|----|
| | | MIN | TYP | MAX | | |
| Output voltage ⁽²⁾ | $I_O = 5\text{ mA to }350\text{ mA}$, $V_I = 7\text{ V to }20\text{ V}$ | $T_J = 0^\circ\text{C to }125^\circ\text{C}$ | 4.8 | 5 | 5.2 | V |
| | | | 4.75 | | 5.25 | |
| Input voltage regulation | $I_O = 200\text{ mA}$ | $V_I = 7\text{ V to }25\text{ V}$ | | 3 | 100 | mV |
| | | $V_I = 8\text{ V to }25\text{ V}$ | | 1 | 50 | |
| Ripple rejection | $V_I = 8\text{ V to }18\text{ V}$, $f = 120\text{ Hz}$ | $I_O = 100\text{ mA}$, $T_J = 0^\circ\text{C to }125^\circ\text{C}$ | 62 | | | dB |
| | | $I_O = 300\text{ mA}$ | 62 | 80 | | |
| Output voltage regulation | $I_O = 5\text{ mA to }500\text{ mA}$ | | 20 | 100 | mV | |
| | $I_O = 5\text{ mA to }200\text{ mA}$ | | 10 | 50 | | |
| Temperature coefficient of output voltage | $I_O = 5\text{ mA}$, $T_J = 0^\circ\text{C to }125^\circ\text{C}$ | | -1 | | mV/°C | |
| Output noise voltage | $f = 10\text{ Hz to }100\text{ kHz}$ | | 40 | 200 | μV | |
| Dropout voltage | | | 2 | | V | |
| Bias current | | | 4.5 | 6 | mA | |
| Bias current change | $I_O = 200\text{ mA}$, $V_I = 8\text{ V to }25\text{ V}$, $T_J = 0^\circ\text{C to }125^\circ\text{C}$ | | | 0.8 | mA | |
| | $I_O = 5\text{ mA to }350\text{ mA}$, $T_J = 0^\circ\text{C to }125^\circ\text{C}$ | | | 0.5 | | |
| Short-circuit output current | $V_I = 35\text{ V}$ | | 300 | | mA | |
| Peak output current | | | 0.7 | | A | |

- (1) All characteristics are measured with a 0.33- μF capacitor across the input and a 0.1- μF capacitor across the output. Pulse-testing techniques maintain T_J as close to T_A as possible. Thermal effects must be taken into account separately.
- (2) This specification applies only for dc power dissipation permitted by [Absolute Maximum Ratings](#).

7.8 Electrical Characteristics — uA78M05I

 at specified virtual junction temperature, $V_I = 10\text{ V}$, $I_O = 350\text{ mA}$, $T_J = 25^\circ\text{C}$ (unless otherwise noted)

| PARAMETER | TEST CONDITIONS ⁽¹⁾ | uA78M05I | | | UNIT | |
|-------------------------------------------|------------------------------------------------------------------------------------------------------------|------------------------------------------------------------------------|------|-----|---------------|----|
| | | MIN | TYP | MAX | | |
| Output voltage ⁽²⁾ | $I_O = 5\text{ mA to }350\text{ mA}$, $V_I = 7\text{ V to }20\text{ V}$ | $T_J = -40^\circ\text{C to }125^\circ\text{C}$ | 4.8 | 5 | 5.2 | V |
| | | | 4.75 | | 5.25 | |
| Input voltage regulation | $I_O = 200\text{ mA}$ | $V_I = 7\text{ V to }25\text{ V}$ | | 3 | 100 | mV |
| | | $V_I = 8\text{ V to }25\text{ V}$ | | 1 | 50 | |
| Ripple rejection | $V_I = 8\text{ V to }18\text{ V}$, $f = 120\text{ Hz}$ | $I_O = 100\text{ mA}$, $T_J = -40^\circ\text{C to }125^\circ\text{C}$ | 62 | | | dB |
| | | $I_O = 300\text{ mA}$ | 62 | 80 | | |
| Output voltage regulation | $I_O = 5\text{ mA to }500\text{ mA}$ | | 20 | 100 | mV | |
| | $I_O = 5\text{ mA to }200\text{ mA}$ | | 10 | 50 | | |
| Temperature coefficient of output voltage | $I_O = 5\text{ mA}$, $T_J = -40^\circ\text{C to }125^\circ\text{C}$ | | -1 | | mV/°C | |
| Output noise voltage | $f = 10\text{ Hz to }100\text{ kHz}$ | | 40 | 200 | μV | |
| Dropout voltage | | | 2 | | V | |
| Bias current | | | 4.5 | 6 | mA | |
| Bias current change | $I_O = 200\text{ mA}$, $V_I = 8\text{ V to }25\text{ V}$, $T_J = -40^\circ\text{C to }125^\circ\text{C}$ | | | 0.8 | mA | |
| | $I_O = 5\text{ mA to }350\text{ mA}$, $T_J = -40^\circ\text{C to }125^\circ\text{C}$ | | | 0.5 | | |
| Short-circuit output current | $V_I = 35\text{ V}$ | | 300 | | mA | |
| Peak output current | | | 0.7 | | A | |

- (1) All characteristics are measured with a 0.33- μF capacitor across the input and a 0.1- μF capacitor across the output. Pulse-testing techniques maintain T_J as close to T_A as possible. Thermal effects must be taken into account separately.
- (2) This specification applies only for dc power dissipation permitted by [Absolute Maximum Ratings](#).

7.9 Electrical Characteristics — uA78M06C

at specified virtual junction temperature, $V_I = 11\text{ V}$, $I_O = 350\text{ mA}$, $T_J = 25^\circ\text{C}$ (unless otherwise noted)

| PARAMETER | TEST CONDITIONS ⁽¹⁾ | | uA78M06C | | | UNIT |
|-------------------------------------------|-------------------------------------------------------------------------------------------------------------------------------|--------------------------------------------------------------------------------------------------|----------|-----|-------|------|
| | | | MIN | TYP | MAX | |
| Output voltage ⁽²⁾ | $I_O = 5\text{ mA to }350\text{ mA}$, $V_I = 8\text{ V to }21\text{ V}$ | $T_J = 0^\circ\text{C to }125^\circ\text{C}$ | 5.75 | 6 | 6.25 | V |
| | | | 5.7 | | 6.3 | |
| Input voltage regulation | $I_O = 200\text{ mA}$ | $V_I = 8\text{ V to }25\text{ V}$ | 5 | 100 | mV | |
| | | $V_I = 9\text{ V to }25\text{ V}$ | 1.5 | 50 | | |
| Ripple rejection | $V_I = 8\text{ V to }18\text{ V}$, $f = 120\text{ Hz}$ | $I_O = 100\text{ mA}$, $T_J = 0^\circ\text{C to }125^\circ\text{C}$ $I_O = 300\text{ mA}$ | 59 | | dB | |
| | | | 59 | 80 | | |
| Output voltage regulation | $I_O = 5\text{ mA to }500\text{ mA}$ | | 20 | 120 | mV | |
| | $I_O = 5\text{ mA to }200\text{ mA}$ | | 10 | 60 | | |
| Temperature coefficient of output voltage | $I_O = 5\text{ mA}$, $T_J = 0^\circ\text{C to }125^\circ\text{C}$ | | -1 | | mV/°C | |
| Output noise voltage | $f = 10\text{ Hz to }100\text{ kHz}$ | | 45 | | µV | |
| Dropout voltage | | | 2 | | V | |
| Bias current | | | 4.5 | 6 | mA | |
| Bias current change | $V_I = 9\text{ V to }25\text{ V}$, $I_O = 5\text{ mA to }350\text{ mA}$, $T_J = 0^\circ\text{C to }125^\circ\text{C}$ | $I_O = 200\text{ mA}$, $T_J = 0^\circ\text{C to }125^\circ\text{C}$ | | 0.8 | mA | |
| | | | | 0.5 | | |
| Short-circuit output current | $V_I = 35\text{ V}$ | | 270 | | mA | |
| Peak output current | | | 0.7 | | A | |

(1) All characteristics are measured with a 0.33-µF capacitor across the input and a 0.1-µF capacitor across the output. Pulse-testing techniques maintain T_J as close to T_A as possible. Thermal effects must be taken into account separately.

(2) This specification applies only for dc power dissipation permitted by [Absolute Maximum Ratings](#).

7.10 Electrical Characteristics — uA78M08C

at specified virtual junction temperature, $V_I = 14\text{ V}$, $I_O = 350\text{ mA}$, $T_J = 25^\circ\text{C}$ (unless otherwise noted)

| PARAMETER | TEST CONDITIONS ⁽¹⁾ | | uA78M08C | | | UNIT |
|-------------------------------------------|----------------------------------------------------------------------------------------------------------------------------------|--------------------------------------------------------------------------------------------------|----------|-----|-------|------|
| | | | MIN | TYP | MAX | |
| Output voltage ⁽²⁾ | $V_I = 10.5\text{ V to }23\text{ V}$, $I_O = 5\text{ mA to }350\text{ mA}$ | $T_J = 0^\circ\text{C to }125^\circ\text{C}$ | 7.7 | 8 | 8.3 | V |
| | | | 7.6 | | 8.4 | |
| Input voltage regulation | $I_O = 200\text{ mA}$ | $V_I = 10.5\text{ V to }25\text{ V}$ | 6 | 100 | mV | |
| | | $V_I = 11\text{ V to }25\text{ V}$ | 2 | 50 | | |
| Ripple rejection | $V_I = 11\text{ V to }21.5\text{ V}$, $f = 120\text{ Hz}$ | $I_O = 100\text{ mA}$, $T_J = 0^\circ\text{C to }125^\circ\text{C}$ $I_O = 300\text{ mA}$ | 56 | | dB | |
| | | | 56 | 80 | | |
| Output voltage regulation | $I_O = 5\text{ mA to }500\text{ mA}$ | | 25 | 160 | mV | |
| | $I_O = 5\text{ mA to }200\text{ mA}$ | | 10 | 80 | | |
| Temperature coefficient of output voltage | $I_O = 5\text{ mA}$, $T_J = 0^\circ\text{C to }125^\circ\text{C}$ | | -1 | | mV/°C | |
| Output noise voltage | $f = 10\text{ Hz to }100\text{ kHz}$ | | 52 | | µV | |
| Dropout voltage | | | 2 | | V | |
| Bias current | | | 4.6 | 6 | mA | |
| Bias current change | $V_I = 10.5\text{ V to }25\text{ V}$, $I_O = 5\text{ mA to }350\text{ mA}$, $T_J = 0^\circ\text{C to }125^\circ\text{C}$ | $I_O = 200\text{ mA}$, $T_J = 0^\circ\text{C to }125^\circ\text{C}$ | | 0.8 | mA | |
| | | | | 0.5 | | |
| Short-circuit output current | $V_I = 35\text{ V}$ | | 250 | | mA | |
| Peak output current | | | 0.7 | | A | |

(1) All characteristics are measured with a 0.33-µF capacitor across the input and a 0.1-µF capacitor across the output. Pulse-testing techniques maintain T_J as close to T_A as possible. Thermal effects must be taken into account separately.

(2) This specification applies only for dc power dissipation permitted by [Absolute Maximum Ratings](#).

7.11 Electrical Characteristics — uA78M09C

at specified virtual junction temperature, $V_I = 16\text{ V}$, $I_O = 350\text{ mA}$, $T_J = 25^\circ\text{C}$ (unless otherwise noted)

| PARAMETER | TEST CONDITIONS ⁽¹⁾ | | uA78M09C | | | UNIT |
|-------------------------------------------|-------------------------------------------------------------------------------------------------------------|----------------------------------------------------------------------|----------|-----|---------------|------|
| | | | MIN | TYP | MAX | |
| Output voltage ⁽²⁾ | $V_I = 11.5\text{ V to }24\text{ V}$, $I_O = 5\text{ mA to }350\text{ mA}$ | $T_J = 0^\circ\text{C to }125^\circ\text{C}$ | 8.6 | 9 | 9.4 | V |
| | | | 8.5 | | 9.5 | |
| Input voltage regulation | $I_O = 200\text{ mA}$ | $V_I = 11.5\text{ V to }26\text{ V}$ | 6 | 100 | mV | |
| | | $V_I = 12\text{ V to }26\text{ V}$ | 2 | 50 | | |
| Ripple rejection | $V_I = 13\text{ V to }23\text{ V}$, $f = 120\text{ Hz}$ | $I_O = 100\text{ mA}$, $T_J = 0^\circ\text{C to }125^\circ\text{C}$ | 56 | | dB | |
| | | $I_O = 300\text{ mA}$ | 56 | 80 | | |
| Output voltage regulation | $I_O = 5\text{ mA to }500\text{ mA}$ | | 25 | 180 | mV | |
| | $I_O = 5\text{ mA to }200\text{ mA}$ | | 10 | 90 | | |
| Temperature coefficient of output voltage | $I_O = 5\text{ mA}$, $T_J = 0^\circ\text{C to }125^\circ\text{C}$ | | -1 | | mV/°C | |
| Output noise voltage | $f = 10\text{ Hz to }100\text{ kHz}$ | | 58 | | μV | |
| Dropout voltage | | | 2 | | V | |
| Bias current | | | 4.6 | 6 | mA | |
| Bias current change | $V_I = 11.5\text{ V to }26\text{ V}$, $I_O = 200\text{ mA}$, $T_J = 0^\circ\text{C to }125^\circ\text{C}$ | | | 0.8 | mA | |
| | $I_O = 5\text{ mA to }350\text{ mA}$, $T_J = 0^\circ\text{C to }125^\circ\text{C}$ | | | 0.5 | | |
| Short-circuit output current | $V_I = 35\text{ V}$ | | 250 | | mA | |
| Peak output current | | | 0.7 | | A | |

(1) All characteristics are measured with a 0.33- μF capacitor across the input and a 0.1- μF capacitor across the output. Pulse-testing techniques maintain T_J as close to T_A as possible. Thermal effects must be taken into account separately.

(2) This specification applies only for dc power dissipation permitted by [Absolute Maximum Ratings](#).

7.12 Electrical Characteristics — uA78M10C

at specified virtual junction temperature, $V_I = 17\text{ V}$, $I_O = 350\text{ mA}$, $T_J = 25^\circ\text{C}$ (unless otherwise noted)

| PARAMETER | TEST CONDITIONS ⁽¹⁾ | | uA78M10C | | | UNIT |
|-------------------------------------------|-------------------------------------------------------------------------------------------------------------|----------------------------------------------------------------------|----------|-----|---------------|------|
| | | | MIN | TYP | MAX | |
| Output voltage ⁽²⁾ | $V_I = 12.5\text{ V to }25\text{ V}$, $I_O = 5\text{ mA to }350\text{ mA}$ | $T_J = 0^\circ\text{C to }125^\circ\text{C}$ | 9.6 | 10 | 10.4 | V |
| | | | 9.5 | | 10.5 | |
| Input voltage regulation | $I_O = 200\text{ mA}$ | $V_I = 12.5\text{ V to }28\text{ V}$ | 7 | 100 | mV | |
| | | $V_I = 14\text{ V to }28\text{ V}$ | 2 | 50 | | |
| Ripple rejection | $V_I = 15\text{ V to }25\text{ V}$, $f = 120\text{ Hz}$ | $I_O = 100\text{ mA}$, $T_J = 0^\circ\text{C to }125^\circ\text{C}$ | 59 | | dB | |
| | | $I_O = 300\text{ mA}$ | 55 | 80 | | |
| Output voltage regulation | $I_O = 5\text{ mA to }500\text{ mA}$ | | 25 | 200 | mV | |
| | $I_O = 5\text{ mA to }200\text{ mA}$ | | 10 | 100 | | |
| Temperature coefficient of output voltage | $I_O = 5\text{ mA}$, $T_J = 0^\circ\text{C to }125^\circ\text{C}$ | | -1 | | mV/°C | |
| Output noise voltage | $f = 10\text{ Hz to }100\text{ kHz}$ | | 64 | | μV | |
| Dropout voltage | | | 2 | | V | |
| Bias current | | | 4.7 | 6 | mA | |
| Bias current change | $V_I = 12.5\text{ V to }28\text{ V}$, $I_O = 200\text{ mA}$, $T_J = 0^\circ\text{C to }125^\circ\text{C}$ | | | 0.8 | mA | |
| | $I_O = 5\text{ mA to }350\text{ mA}$, $T_J = 0^\circ\text{C to }125^\circ\text{C}$ | | | 0.5 | | |
| Short-circuit output current | $V_I = 35\text{ V}$ | | 245 | | mA | |
| Peak output current | | | 0.7 | | A | |

(1) All characteristics are measured with a 0.33- μF capacitor across the input and a 0.1- μF capacitor across the output. Pulse-testing techniques maintain T_J as close to T_A as possible. Thermal effects must be taken into account separately.

(2) This specification applies only for dc power dissipation permitted by [Absolute Maximum Ratings](#).

7.13 Electrical Characteristics — uA78M12C

at specified virtual junction temperature, $V_I = 19\text{ V}$, $I_O = 350\text{ mA}$, $T_J = 25^\circ\text{C}$ (unless otherwise noted)

| PARAMETER | TEST CONDITIONS ⁽¹⁾ | | uA78M12C | | | UNIT |
|-------------------------------------------|-------------------------------------------------------------------------------------------------------------|----------------------------------------------------------------------|----------|-----|------|---------------|
| | | | MIN | TYP | MAX | |
| Output voltage ⁽²⁾ | $V_I = 14.5\text{ V to }27\text{ V}$, $I_O = 5\text{ mA to }350\text{ mA}$ | $T_J = 0^\circ\text{C to }125^\circ\text{C}$ | 11.5 | 12 | 12.5 | V |
| | | | 11.4 | | 12.6 | |
| Input voltage regulation | $I_O = 200\text{ mA}$ | $V_I = 14.5\text{ V to }30\text{ V}$ | | 8 | 100 | mV |
| | | $V_I = 16\text{ V to }30\text{ V}$ | | 2 | 50 | |
| Ripple rejection | $V_I = 15\text{ V to }25\text{ V}$, $f = 120\text{ Hz}$ | $I_O = 100\text{ mA}$, $T_J = 0^\circ\text{C to }125^\circ\text{C}$ | 55 | | | dB |
| | | $I_O = 300\text{ mA}$ | 55 | 80 | | |
| Output voltage regulation | $I_O = 5\text{ mA to }500\text{ mA}$ | | | 25 | 240 | mV |
| | $I_O = 5\text{ mA to }200\text{ mA}$ | | | 10 | 120 | |
| Temperature coefficient of output voltage | $I_O = 5\text{ mA}$, $T_J = 0^\circ\text{C to }125^\circ\text{C}$ | | | -1 | | mV/°C |
| Output noise voltage | $f = 10\text{ Hz to }100\text{ kHz}$ | | | 75 | | μV |
| Dropout voltage | | | | 2 | | V |
| Bias current | | | | 4.8 | 6 | mA |
| Bias current change | $V_I = 14.5\text{ V to }30\text{ V}$, $I_O = 200\text{ mA}$, $T_J = 0^\circ\text{C to }125^\circ\text{C}$ | | | | 0.8 | mA |
| | $I_O = 5\text{ mA to }350\text{ mA}$, $T_J = 0^\circ\text{C to }125^\circ\text{C}$ | | | | 0.5 | |
| Short-circuit output current | $V_I = 35\text{ V}$ | | | 240 | | mA |
| Peak output current | | | | 0.7 | | A |

- (1) All characteristics are measured with a 0.33- μF capacitor across the input and a 0.1- μF capacitor across the output. Pulse-testing techniques maintain T_J as close to T_A as possible. Thermal effects must be taken into account separately.
- (2) This specification applies only for dc power dissipation permitted by [Absolute Maximum Ratings](#).

7.14 Typical Characteristics

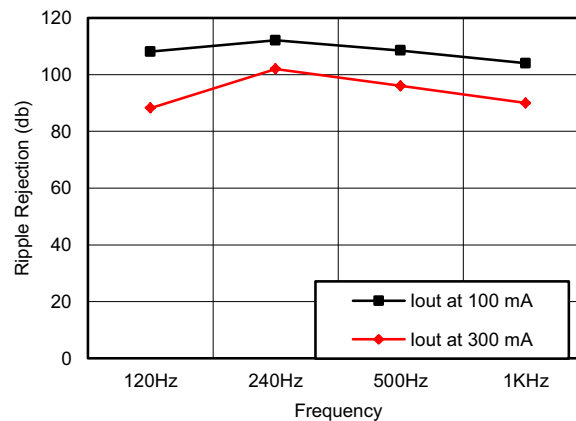


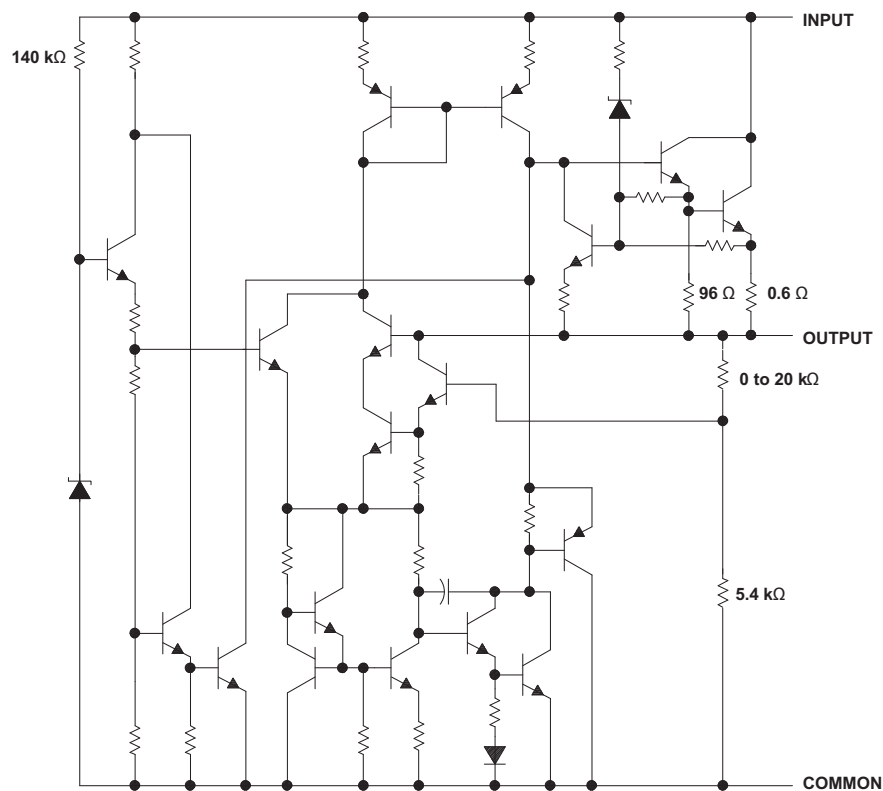
Figure 1. Ripple Rejection vs Frequency
 $V_{\text{INPUT}} = 8\text{ V to }18\text{ V}$, $T_A = 25^\circ\text{C}$

8 Detailed Description

8.1 Overview

This series of fixed-voltage integrated-circuit voltage regulators is designed for a wide range of applications. The applications include on-card regulation for elimination of noise and distribution problems associated with single-point regulation. Each of these regulators can deliver up to 500 mA of output current. The internal current-limiting and thermal-shutdown features of these regulators essentially make them immune to overload. In addition to use as fixed-voltage regulators, these devices can be used with external components to obtain adjustable output voltages and currents and also as the power-pass element in precision regulators.

8.2 Functional Block Diagram



Resistor values shown are nominal.

8.3 Feature Description

- 3-Terminal Regulators
- Output Current up to 500 mA
- No External Components
- Internal Thermal-Overload Protection
- High Power-Dissipation Capability
- Internal Short-Circuit Current Limiting
- Output Transistor Safe-Area Compensation

8.4 Device Functional Modes

8.4.1 Fixed-Output Mode

These devices are available in fixed-output voltages. See the orderable part list for the desired output.

9 Application and Implementation

NOTE

Information in the following applications sections is not part of the TI component specification, and TI does not warrant its accuracy or completeness. TI's customers are responsible for determining suitability of components for their purposes. Customers should validate and test their design implementation to confirm system functionality.

9.1 Application Information

The UA78Mxx devices are ideal for use as linear regulators with few external components needed for a working design. They are also useful for attenuating power supply noise.

9.2 Typical Application

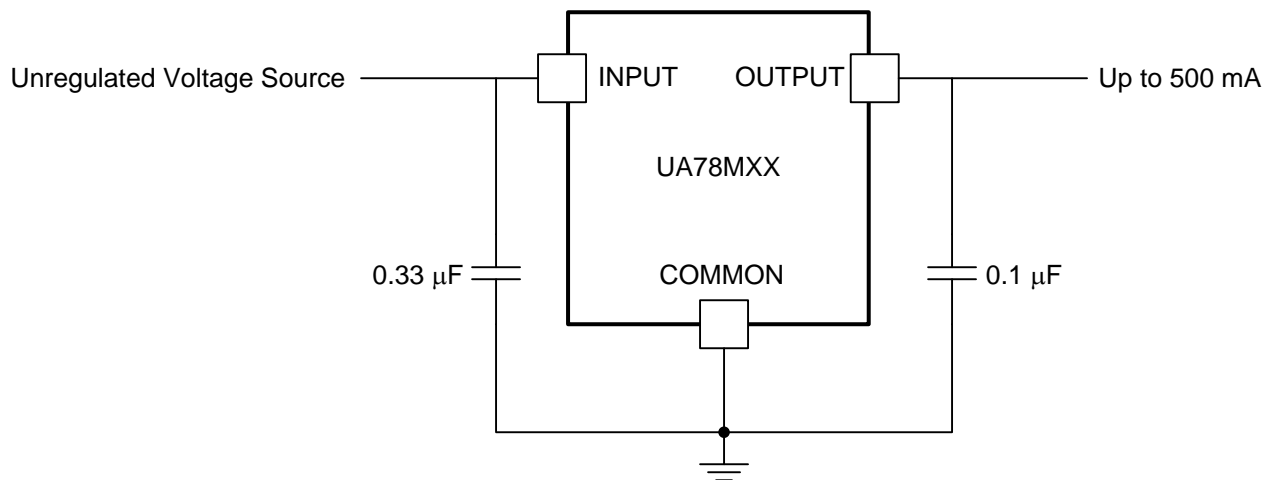


Figure 2. Fixed-Output Regulator

9.2.1 Design Requirements

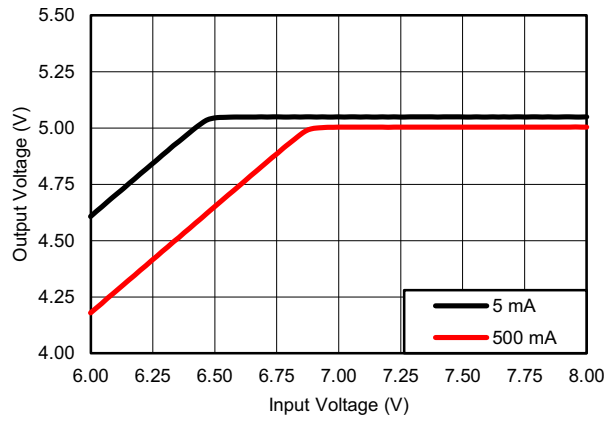
An 0.33-µF decoupling capacitor on the input and a 0.1-µF decoupling capacitor on the output are recommended for the UA78Mxx to behave as close to datasheet specifications as possible.

9.2.2 Detailed Design Procedure

The customer's end application will determine how the schematic for UA78Mxx is designed. For example, if there is a load connected to a negative voltage as its ground, a clamp diode may be necessary on the output. In the event of an input short circuit or another case where the output voltage can be higher than the input, a diode shunt can be connected across the device with the anode at the output and cathode at the input.

Typical Application (continued)

9.2.3 Application Curves



**Figure 3. V_OUTPUT vs V_INPUT for
 $I_{\text{OUTPUT}} = 5 \text{ mA}$ and 500 mA (25°C)**

10 Power Supply Recommendations

See [Recommended Operating Conditions](#) for the recommended power supply voltages for each variation of the UA78Mxx. Different orderable part numbers will be able to tolerate different levels of voltage. It is also recommended to have a decoupling capacitor on the output to limit noise on the input.

11 Layout

11.1 Layout Guidelines

Keep trace widths large enough to eliminate problematic IxR voltage drops at the input and output terminals. Input decoupling capacitors should be placed as close to the UA78MXX as possible.

11.2 Layout Example

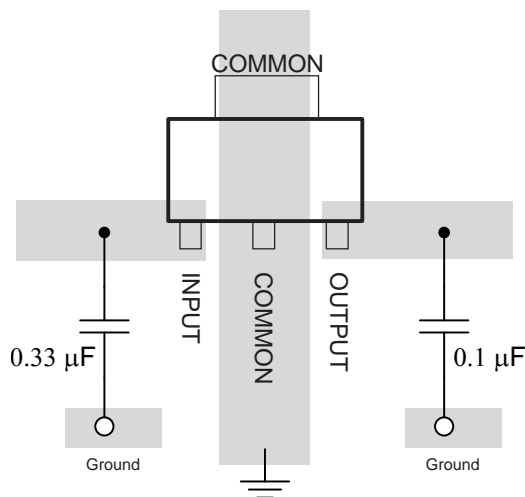


Figure 4. Layout Diagram

12 Device and Documentation Support

12.1 Related Links

The table below lists quick access links. Categories include technical documents, support and community resources, tools and software, and quick access to sample or buy.

Table 1. Related Links

| PARTS | PRODUCT FOLDER | SAMPLE & BUY | TECHNICAL DOCUMENTS | TOOLS & SOFTWARE | SUPPORT & COMMUNITY |
|---------|----------------------------|----------------------------|----------------------------|----------------------------|----------------------------|
| uA78M05 | Click here | Click here | Click here | Click here | Click here |
| uA78M06 | Click here | Click here | Click here | Click here | Click here |
| uA78M08 | Click here | Click here | Click here | Click here | Click here |
| uA78M09 | Click here | Click here | Click here | Click here | Click here |
| uA78M10 | Click here | Click here | Click here | Click here | Click here |
| uA78M12 | Click here | Click here | Click here | Click here | Click here |
| uA78M33 | Click here | Click here | Click here | Click here | Click here |

12.2 Trademarks

All trademarks are the property of their respective owners.

12.3 Electrostatic Discharge Caution



These devices have limited built-in ESD protection. The leads should be shorted together or the device placed in conductive foam during storage or handling to prevent electrostatic damage to the MOS gates.

12.4 Glossary

[SLYZ022](#) — *TI Glossary*.

This glossary lists and explains terms, acronyms, and definitions.

13 Mechanical, Packaging, and Orderable Information

The following pages include mechanical, packaging, and orderable information. This information is the most current data available for the designated devices. This data is subject to change without notice and revision of this document. For browser-based versions of this data sheet, refer to the left-hand navigation.

PACKAGING INFORMATION

| Orderable Device | Status (1) | Package Type | Package Drawing | Pins | Package Qty | Eco Plan (2) | Lead/Ball Finish (6) | MSL Peak Temp (3) | Op Temp (°C) | Device Marking (4/5) | Samples |
|------------------|---------------|--------------|--------------------|------|----------------|----------------------------|-------------------------|----------------------|--------------|-------------------------|-------------------------|
| SN78MCDCYR | ACTIVE | SOT-223 | DCY | 4 | 2500 | Green (RoHS & no Sb/Br) | CU SN | Level-2-260C-1 YEAR | 0 to 125 | C5 | Samples |
| UA78M05CDCY | ACTIVE | SOT-223 | DCY | 4 | 80 | Green (RoHS & no Sb/Br) | CU SN | Level-2-260C-1 YEAR | 0 to 125 | C5 | Samples |
| UA78M05CDCYG3 | ACTIVE | SOT-223 | DCY | 4 | 80 | Green (RoHS & no Sb/Br) | CU SN | Level-2-260C-1 YEAR | 0 to 125 | C5 | Samples |
| UA78M05CDCYR | ACTIVE | SOT-223 | DCY | 4 | 2500 | Green (RoHS & no Sb/Br) | CU SN | Level-2-260C-1 YEAR | 0 to 125 | C5 | Samples |
| UA78M05CDCYRG3 | ACTIVE | SOT-223 | DCY | 4 | 2500 | Green (RoHS & no Sb/Br) | CU SN | Level-2-260C-1 YEAR | 0 to 125 | C5 | Samples |
| UA78M05CKCS | ACTIVE | TO-220 | KCS | 3 | 50 | Pb-Free (RoHS) | CU SN | N / A for Pkg Type | 0 to 125 | UA78M05C | Samples |
| UA78M05CKCSE3 | ACTIVE | TO-220 | KCS | 3 | 50 | Pb-Free (RoHS) | CU SN | N / A for Pkg Type | 0 to 125 | UA78M05C | Samples |
| UA78M05CKVURG3 | ACTIVE | TO-252 | KVU | 3 | 2500 | Green (RoHS & no Sb/Br) | CU SN | Level-3-260C-168 HR | 0 to 125 | 78M05C | Samples |
| UA78M05IDCY | ACTIVE | SOT-223 | DCY | 4 | 80 | Green (RoHS & no Sb/Br) | CU SN | Level-2-260C-1 YEAR | -40 to 125 | J5 | Samples |
| UA78M05IDCYG3 | ACTIVE | SOT-223 | DCY | 4 | 80 | Green (RoHS & no Sb/Br) | CU SN | Level-2-260C-1 YEAR | -40 to 125 | J5 | Samples |
| UA78M05IDCYR | ACTIVE | SOT-223 | DCY | 4 | 2500 | Green (RoHS & no Sb/Br) | CU SN | Level-2-260C-1 YEAR | -40 to 125 | J5 | Samples |
| UA78M05IDCYRG3 | ACTIVE | SOT-223 | DCY | 4 | 2500 | Green (RoHS & no Sb/Br) | CU SN | Level-2-260C-1 YEAR | -40 to 125 | J5 | Samples |
| UA78M05IKCS | ACTIVE | TO-220 | KCS | 3 | 50 | Pb-Free (RoHS) | CU SN | N / A for Pkg Type | -40 to 125 | UA78M05I | Samples |
| UA78M05IKCSE3 | ACTIVE | TO-220 | KCS | 3 | 50 | Pb-Free (RoHS) | CU SN | N / A for Pkg Type | -40 to 125 | UA78M05I | Samples |
| UA78M05IKVURG3 | ACTIVE | TO-252 | KVU | 3 | 2500 | Green (RoHS & no Sb/Br) | CU SN | Level-3-260C-168 HR | -40 to 125 | 78M05I | Samples |
| UA78M06CKVURG3 | ACTIVE | TO-252 | KVU | 3 | 2500 | Green (RoHS & no Sb/Br) | CU SN | Level-3-260C-168 HR | 0 to 125 | 78M06C | Samples |
| UA78M08CDCY | ACTIVE | SOT-223 | DCY | 4 | 80 | Green (RoHS & no Sb/Br) | CU SN | Level-2-260C-1 YEAR | 0 to 125 | C8 | Samples |

| Orderable Device | Status (1) | Package Type | Package Drawing | Pins | Package Qty | Eco Plan (2) | Lead/Ball Finish (6) | MSL Peak Temp (3) | Op Temp (°C) | Device Marking (4/5) | Samples |
|------------------|---------------|--------------|-----------------|------|-------------|-------------------------|-------------------------|----------------------|--------------|-------------------------|-------------------------|
| UA78M08CDCYG3 | ACTIVE | SOT-223 | DCY | 4 | 80 | Green (RoHS & no Sb/Br) | CU SN | Level-2-260C-1 YEAR | 0 to 125 | C8 | Samples |
| UA78M08CDCYR | ACTIVE | SOT-223 | DCY | 4 | 2500 | Green (RoHS & no Sb/Br) | CU SN | Level-2-260C-1 YEAR | 0 to 125 | C8 | Samples |
| UA78M08CKCS | ACTIVE | TO-220 | KCS | 3 | 50 | Pb-Free (RoHS) | CU SN | N / A for Pkg Type | 0 to 125 | UA78M08C | Samples |
| UA78M08CKCSE3 | ACTIVE | TO-220 | KCS | 3 | 50 | Pb-Free (RoHS) | CU SN | N / A for Pkg Type | 0 to 125 | UA78M08C | Samples |
| UA78M08CKVURG3 | ACTIVE | TO-252 | KVU | 3 | 2500 | Green (RoHS & no Sb/Br) | CU SN | Level-3-260C-168 HR | 0 to 125 | 78M08C | Samples |
| UA78M09CKVURG3 | ACTIVE | TO-252 | KVU | 3 | 2500 | Green (RoHS & no Sb/Br) | CU SN | Level-3-260C-168 HR | 0 to 125 | 78M09C | Samples |
| UA78M10CKVURG3 | ACTIVE | TO-252 | KVU | 3 | 2500 | Green (RoHS & no Sb/Br) | CU SN | Level-3-260C-168 HR | 0 to 125 | 78M10C | Samples |
| UA78M12CKCS | ACTIVE | TO-220 | KCS | 3 | 50 | Pb-Free (RoHS) | CU SN | N / A for Pkg Type | 0 to 125 | UA78M12C | Samples |
| UA78M12CKCSE3 | ACTIVE | TO-220 | KCS | 3 | 50 | Pb-Free (RoHS) | CU SN | N / A for Pkg Type | 0 to 125 | UA78M12C | Samples |
| UA78M12CKVURG3 | ACTIVE | TO-252 | KVU | 3 | 2500 | Green (RoHS & no Sb/Br) | CU SN | Level-3-260C-168 HR | 0 to 125 | 78M12C | Samples |
| UA78M33CDCY | ACTIVE | SOT-223 | DCY | 4 | 80 | Green (RoHS & no Sb/Br) | CU SN | Level-2-260C-1 YEAR | 0 to 125 | C3 | Samples |
| UA78M33CDCYG3 | ACTIVE | SOT-223 | DCY | 4 | 80 | Green (RoHS & no Sb/Br) | CU SN | Level-2-260C-1 YEAR | 0 to 125 | C3 | Samples |
| UA78M33CDCYR | ACTIVE | SOT-223 | DCY | 4 | 2500 | Green (RoHS & no Sb/Br) | CU SN | Level-2-260C-1 YEAR | 0 to 125 | C3 | Samples |
| UA78M33CDCYRG3 | ACTIVE | SOT-223 | DCY | 4 | 2500 | Green (RoHS & no Sb/Br) | CU SN | Level-2-260C-1 YEAR | 0 to 125 | C3 | Samples |
| UA78M33CKCS | ACTIVE | TO-220 | KCS | 3 | 50 | Pb-Free (RoHS) | CU SN | N / A for Pkg Type | 0 to 125 | UA78M33C | Samples |
| UA78M33CKCSE3 | ACTIVE | TO-220 | KCS | 3 | 50 | Pb-Free (RoHS) | CU SN | N / A for Pkg Type | 0 to 125 | UA78M33C | Samples |
| UA78M33CKVURG3 | ACTIVE | TO-252 | KVU | 3 | 2500 | Green (RoHS & no Sb/Br) | CU SN | Level-3-260C-168 HR | 0 to 125 | 78M33C | Samples |
| UA78M33IKVURG3 | ACTIVE | TO-252 | KVU | 3 | 2500 | Green (RoHS & no Sb/Br) | CU SN | Level-3-260C-168 HR | -40 to 125 | 78M33I | Samples |

(1) The marketing status values are defined as follows:

ACTIVE: Product device recommended for new designs.

LIFEBUY: TI has announced that the device will be discontinued, and a lifetime-buy period is in effect.

NRND: Not recommended for new designs. Device is in production to support existing customers, but TI does not recommend using this part in a new design.

PREVIEW: Device has been announced but is not in production. Samples may or may not be available.

OBSOLETE: TI has discontinued the production of the device.

(2) Eco Plan - The planned eco-friendly classification: Pb-Free (RoHS), Pb-Free (RoHS Exempt), or Green (RoHS & no Sb/Br) - please check <http://www.ti.com/productcontent> for the latest availability information and additional product content details.

TBD: The Pb-Free/Green conversion plan has not been defined.

Pb-Free (RoHS): TI's terms "Lead-Free" or "Pb-Free" mean semiconductor products that are compatible with the current RoHS requirements for all 6 substances, including the requirement that lead not exceed 0.1% by weight in homogeneous materials. Where designed to be soldered at high temperatures, TI Pb-Free products are suitable for use in specified lead-free processes.

Pb-Free (RoHS Exempt): This component has a RoHS exemption for either 1) lead-based flip-chip solder bumps used between the die and package, or 2) lead-based die adhesive used between the die and leadframe. The component is otherwise considered Pb-Free (RoHS compatible) as defined above.

Green (RoHS & no Sb/Br): TI defines "Green" to mean Pb-Free (RoHS compatible), and free of Bromine (Br) and Antimony (Sb) based flame retardants (Br or Sb do not exceed 0.1% by weight in homogeneous material)

(3) MSL, Peak Temp. - The Moisture Sensitivity Level rating according to the JEDEC industry standard classifications, and peak solder temperature.

(4) There may be additional marking, which relates to the logo, the lot trace code information, or the environmental category on the device.

(5) Multiple Device Markings will be inside parentheses. Only one Device Marking contained in parentheses and separated by a "~" will appear on a device. If a line is indented then it is a continuation of the previous line and the two combined represent the entire Device Marking for that device.

(6) Lead/Ball Finish - Orderable Devices may have multiple material finish options. Finish options are separated by a vertical ruled line. Lead/Ball Finish values may wrap to two lines if the finish value exceeds the maximum column width.

Important Information and Disclaimer: The information provided on this page represents TI's knowledge and belief as of the date that it is provided. TI bases its knowledge and belief on information provided by third parties, and makes no representation or warranty as to the accuracy of such information. Efforts are underway to better integrate information from third parties. TI has taken and continues to take reasonable steps to provide representative and accurate information but may not have conducted destructive testing or chemical analysis on incoming materials and chemicals. TI and TI suppliers consider certain information to be proprietary, and thus CAS numbers and other limited information may not be available for release.

In no event shall TI's liability arising out of such information exceed the total purchase price of the TI part(s) at issue in this document sold by TI to Customer on an annual basis.

OTHER QUALIFIED VERSIONS OF UA78M05, UA78M33 :

- Automotive: [UA78M05-Q1](#), [UA78M33-Q1](#)

NOTE: Qualified Version Definitions:

- Automotive - Q100 devices qualified for high-reliability automotive applications targeting zero defects

TAPE AND REEL INFORMATION



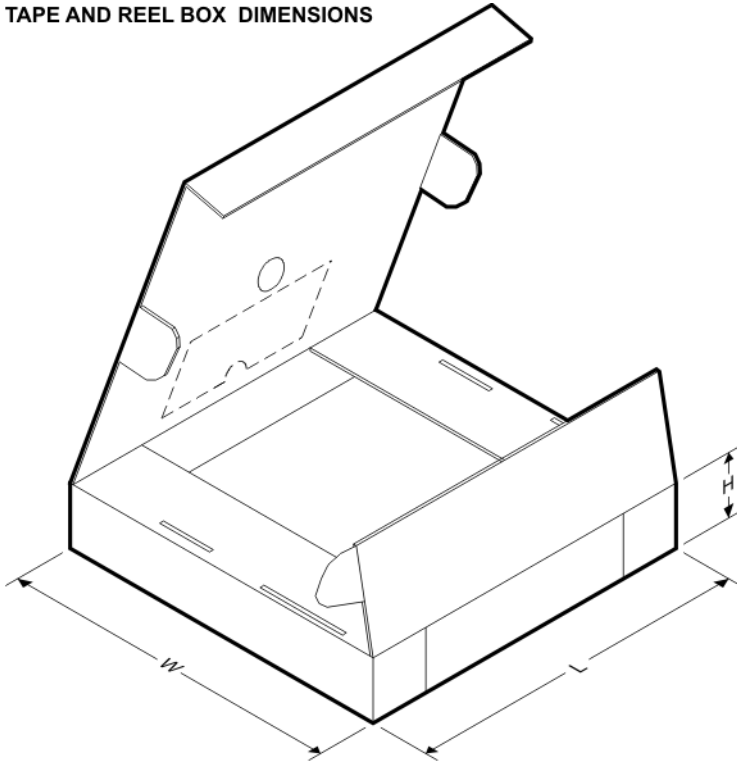
QUADRANT ASSIGNMENTS FOR PIN 1 ORIENTATION IN TAPE



*All dimensions are nominal

| Device | Package Type | Package Drawing | Pins | SPQ | Reel Diameter (mm) | Reel Width W1 (mm) | A0 (mm) | B0 (mm) | K0 (mm) | P1 (mm) | W (mm) | Pin1 Quadrant |
|----------------|--------------|-----------------|------|------|--------------------|--------------------|---------|---------|---------|---------|--------|---------------|
| UA78M05CDCYR | SOT-223 | DCY | 4 | 2500 | 330.0 | 12.4 | 7.0 | 7.42 | 2.0 | 8.0 | 12.0 | Q3 |
| UA78M05CDCYR | SOT-223 | DCY | 4 | 2500 | 330.0 | 12.4 | 6.55 | 7.25 | 1.9 | 8.0 | 12.0 | Q3 |
| UA78M05CKVURG3 | TO-252 | KVU | 3 | 2500 | 330.0 | 16.4 | 6.9 | 10.5 | 2.7 | 8.0 | 16.0 | Q2 |
| UA78M05CKVURG3 | TO-252 | KVU | 3 | 2500 | 330.0 | 16.4 | 6.9 | 10.5 | 2.8 | 8.0 | 16.0 | Q2 |
| UA78M05IDCYR | SOT-223 | DCY | 4 | 2500 | 330.0 | 12.4 | 6.55 | 7.25 | 1.9 | 8.0 | 12.0 | Q3 |
| UA78M05IDCYR | SOT-223 | DCY | 4 | 2500 | 330.0 | 12.4 | 7.0 | 7.42 | 2.0 | 8.0 | 12.0 | Q3 |
| UA78M05IDCYR | SOT-223 | DCY | 4 | 2500 | 330.0 | 12.4 | 7.05 | 7.4 | 1.9 | 8.0 | 12.0 | Q3 |
| UA78M05IKVURG3 | TO-252 | KVU | 3 | 2500 | 330.0 | 16.4 | 6.9 | 10.5 | 2.7 | 8.0 | 16.0 | Q2 |
| UA78M05IKVURG3 | TO-252 | KVU | 3 | 2500 | 330.0 | 16.4 | 6.9 | 10.5 | 2.8 | 8.0 | 16.0 | Q2 |
| UA78M06CKVURG3 | TO-252 | KVU | 3 | 2500 | 330.0 | 16.4 | 6.9 | 10.5 | 2.7 | 8.0 | 16.0 | Q2 |
| UA78M08CDCYR | SOT-223 | DCY | 4 | 2500 | 330.0 | 12.4 | 7.0 | 7.42 | 2.0 | 8.0 | 12.0 | Q3 |
| UA78M08CDCYR | SOT-223 | DCY | 4 | 2500 | 330.0 | 12.4 | 7.05 | 7.4 | 1.9 | 8.0 | 12.0 | Q3 |
| UA78M08CKVURG3 | TO-252 | KVU | 3 | 2500 | 330.0 | 16.4 | 6.9 | 10.5 | 2.7 | 8.0 | 16.0 | Q2 |
| UA78M09CKVURG3 | TO-252 | KVU | 3 | 2500 | 330.0 | 16.4 | 6.9 | 10.5 | 2.7 | 8.0 | 16.0 | Q2 |
| UA78M10CKVURG3 | TO-252 | KVU | 3 | 2500 | 330.0 | 16.4 | 6.9 | 10.5 | 2.8 | 8.0 | 16.0 | Q2 |
| UA78M10CKVURG3 | TO-252 | KVU | 3 | 2500 | 330.0 | 16.4 | 6.9 | 10.5 | 2.7 | 8.0 | 16.0 | Q2 |
| UA78M12CKVURG3 | TO-252 | KVU | 3 | 2500 | 330.0 | 16.4 | 6.9 | 10.5 | 2.7 | 8.0 | 16.0 | Q2 |
| UA78M33CDCYR | SOT-223 | DCY | 4 | 2500 | 330.0 | 12.4 | 7.05 | 7.4 | 1.9 | 8.0 | 12.0 | Q3 |

| Device | Package Type | Package Drawing | Pins | SPQ | Reel Diameter (mm) | Reel Width W1 (mm) | A0 (mm) | B0 (mm) | K0 (mm) | P1 (mm) | W (mm) | Pin1 Quadrant |
|----------------|--------------|-----------------|------|------|--------------------|--------------------|---------|---------|---------|---------|--------|---------------|
| UA78M33CDCYR | SOT-223 | DCY | 4 | 2500 | 330.0 | 12.4 | 7.0 | 7.42 | 2.0 | 8.0 | 12.0 | Q3 |
| UA78M33CDCYR | SOT-223 | DCY | 4 | 2500 | 330.0 | 12.4 | 6.55 | 7.25 | 1.9 | 8.0 | 12.0 | Q3 |
| UA78M33CKVURG3 | TO-252 | KVU | 3 | 2500 | 330.0 | 16.4 | 6.9 | 10.5 | 2.7 | 8.0 | 16.0 | Q2 |
| UA78M331KVURG3 | TO-252 | KVU | 3 | 2500 | 330.0 | 16.4 | 6.9 | 10.5 | 2.8 | 8.0 | 16.0 | Q2 |
| UA78M331KVURG3 | TO-252 | KVU | 3 | 2500 | 330.0 | 16.4 | 6.9 | 10.5 | 2.7 | 8.0 | 16.0 | Q2 |

TAPE AND REEL BOX DIMENSIONS


*All dimensions are nominal

| Device | Package Type | Package Drawing | Pins | SPQ | Length (mm) | Width (mm) | Height (mm) |
|----------------|--------------|-----------------|------|------|-------------|------------|-------------|
| UA78M05CDCYR | SOT-223 | DCY | 4 | 2500 | 350.0 | 334.0 | 47.0 |
| UA78M05CDCYR | SOT-223 | DCY | 4 | 2500 | 336.0 | 336.0 | 48.0 |
| UA78M05CKVURG3 | TO-252 | KVU | 3 | 2500 | 340.0 | 340.0 | 38.0 |
| UA78M05CKVURG3 | TO-252 | KVU | 3 | 2500 | 350.0 | 334.0 | 47.0 |
| UA78M05IDCYR | SOT-223 | DCY | 4 | 2500 | 336.0 | 336.0 | 48.0 |
| UA78M05IDCYR | SOT-223 | DCY | 4 | 2500 | 350.0 | 334.0 | 47.0 |
| UA78M05IDCYR | SOT-223 | DCY | 4 | 2500 | 340.0 | 340.0 | 38.0 |
| UA78M051KVURG3 | TO-252 | KVU | 3 | 2500 | 340.0 | 340.0 | 38.0 |
| UA78M051KVURG3 | TO-252 | KVU | 3 | 2500 | 350.0 | 334.0 | 47.0 |
| UA78M06CKVURG3 | TO-252 | KVU | 3 | 2500 | 340.0 | 340.0 | 38.0 |
| UA78M08CDCYR | SOT-223 | DCY | 4 | 2500 | 350.0 | 334.0 | 47.0 |
| UA78M08CDCYR | SOT-223 | DCY | 4 | 2500 | 340.0 | 340.0 | 38.0 |

| Device | Package Type | Package Drawing | Pins | SPQ | Length (mm) | Width (mm) | Height (mm) |
|----------------|--------------|-----------------|------|------|-------------|------------|-------------|
| UA78M08CKVURG3 | TO-252 | KVU | 3 | 2500 | 340.0 | 340.0 | 38.0 |
| UA78M09CKVURG3 | TO-252 | KVU | 3 | 2500 | 340.0 | 340.0 | 38.0 |
| UA78M10CKVURG3 | TO-252 | KVU | 3 | 2500 | 350.0 | 334.0 | 47.0 |
| UA78M10CKVURG3 | TO-252 | KVU | 3 | 2500 | 340.0 | 340.0 | 38.0 |
| UA78M12CKVURG3 | TO-252 | KVU | 3 | 2500 | 340.0 | 340.0 | 38.0 |
| UA78M33CDCYR | SOT-223 | DCY | 4 | 2500 | 340.0 | 340.0 | 38.0 |
| UA78M33CDCYR | SOT-223 | DCY | 4 | 2500 | 350.0 | 334.0 | 47.0 |
| UA78M33CDCYR | SOT-223 | DCY | 4 | 2500 | 336.0 | 336.0 | 48.0 |
| UA78M33CKVURG3 | TO-252 | KVU | 3 | 2500 | 340.0 | 340.0 | 38.0 |
| UA78M33IKVURG3 | TO-252 | KVU | 3 | 2500 | 350.0 | 334.0 | 47.0 |
| UA78M33IKVURG3 | TO-252 | KVU | 3 | 2500 | 340.0 | 340.0 | 38.0 |

DCY (R-PDSO-G4)

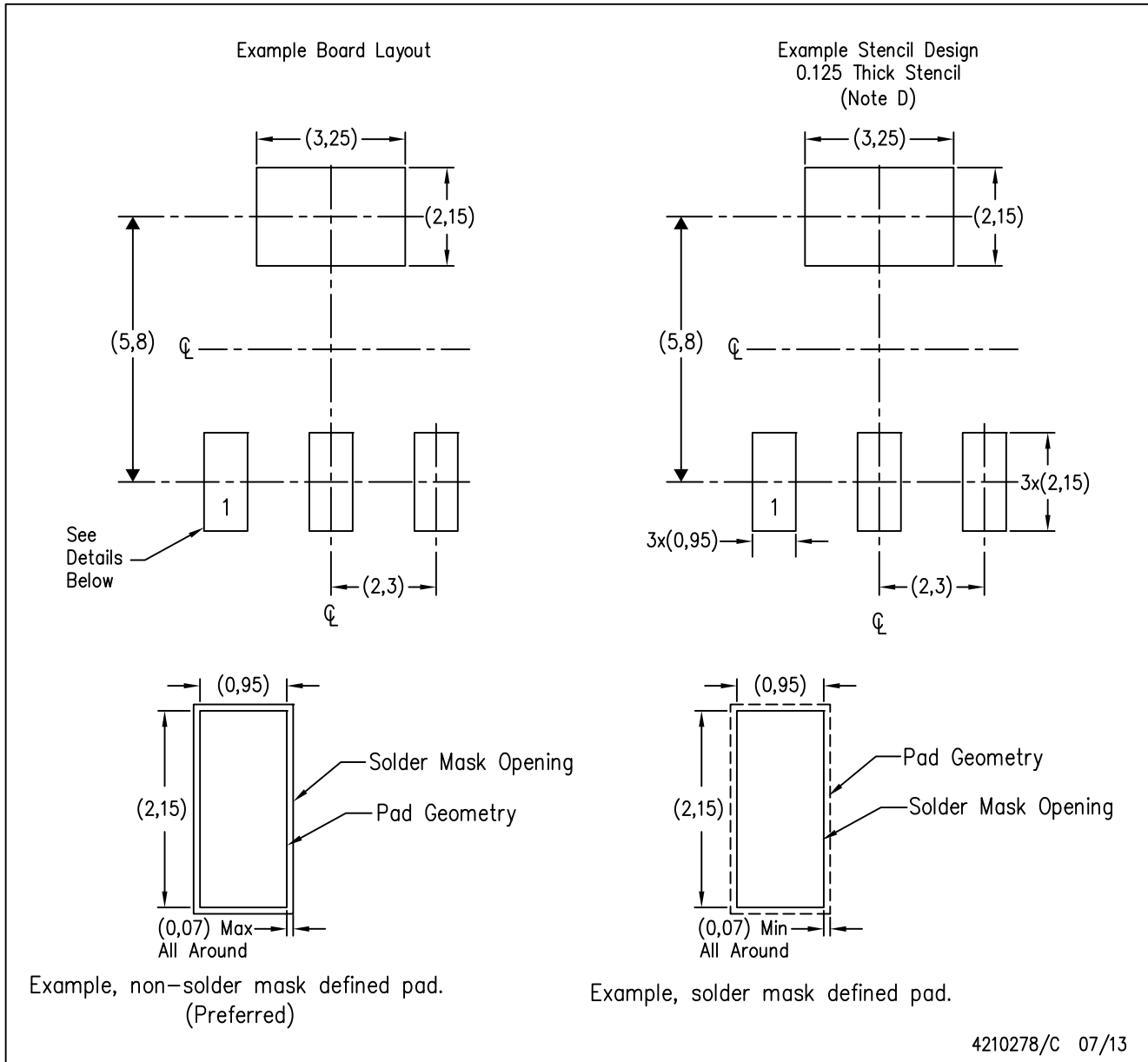
PLASTIC SMALL-OUTLINE



- NOTES: A. All linear dimensions are in millimeters (inches).
 B. This drawing is subject to change without notice.
 C. Body dimensions do not include mold flash or protrusion.
 D. Falls within JEDEC TO-261 Variation AA.

DCY (R-PDSO-G4)

PLASTIC SMALL OUTLINE



- NOTES:
- A. All linear dimensions are in millimeters.
 - B. This drawing is subject to change without notice.
 - C. Publication IPC-7351 is recommended for alternate designs.
 - D. Laser cutting apertures with trapezoidal walls and also rounding corners will offer better paste release. Customers should contact their board assembly site for stencil recommendations. Refer to IPC 7525 for stencil design considerations.

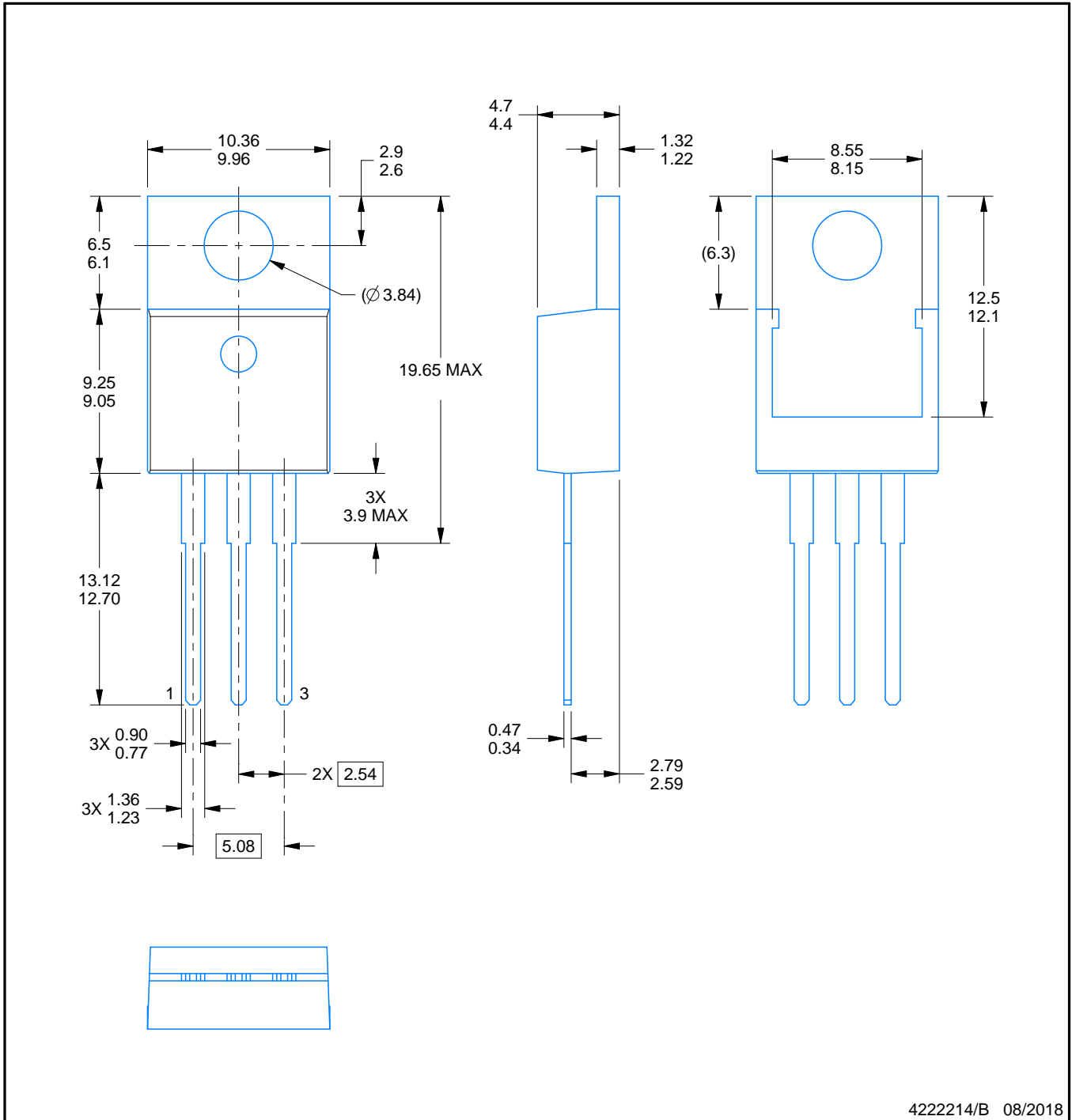
KCS0003B



PACKAGE OUTLINE

TO-220 - 19.65 mm max height

TO-220



4222214/B 08/2018

NOTES:

1. Dimensions are in millimeters. Any dimension in brackets or parenthesis are for reference only. Dimensioning and tolerancing per ASME Y14.5M.
2. This drawing is subject to change without notice.
3. Reference JEDEC registration TO-220.

EXAMPLE BOARD LAYOUT

KCS0003B

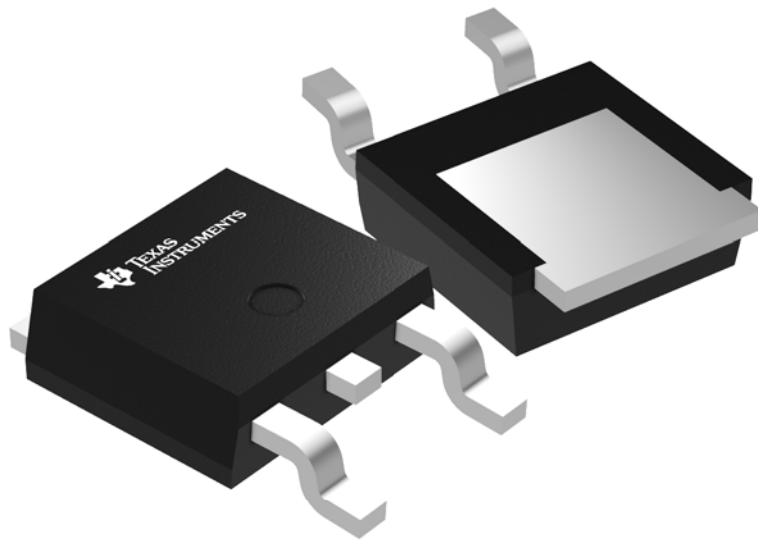
TO-220 - 19.65 mm max height

TO-220



LAND PATTERN EXAMPLE
NON-SOLDER MASK DEFINED
SCALE:15X

4222214/B 08/2018



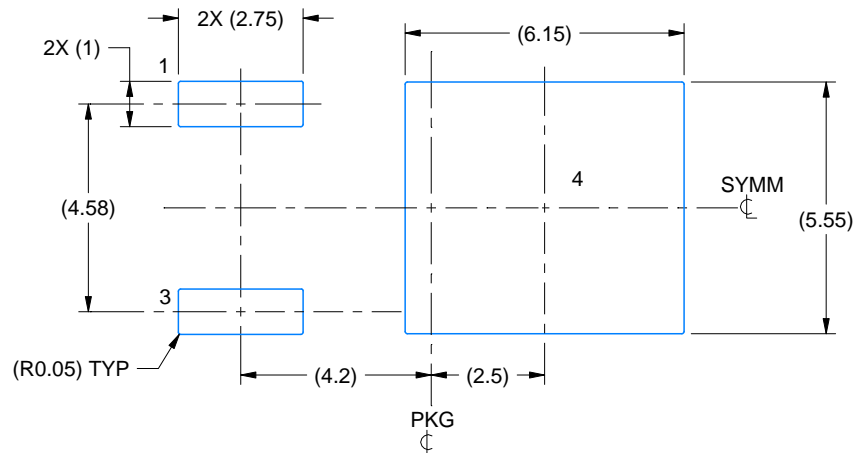
Images above are just a representation of the package family, actual package may vary.
Refer to the product data sheet for package details.

EXAMPLE BOARD LAYOUT

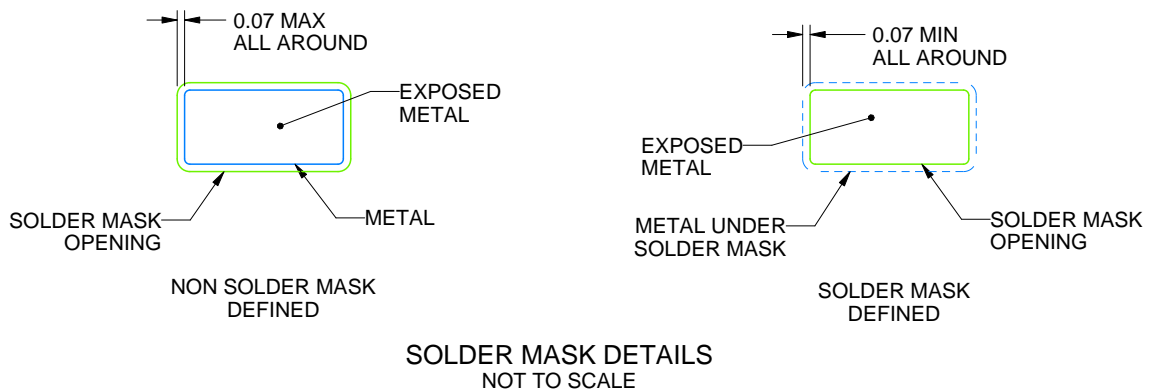
KVU0003A

TO-252 - 2.52 mm max height

TO-252



LAND PATTERN EXAMPLE
EXPOSED METAL SHOWN
SCALE:6X



SOLDER MASK DETAILS
NOT TO SCALE

4218915/A 02/2017

NOTES: (continued)

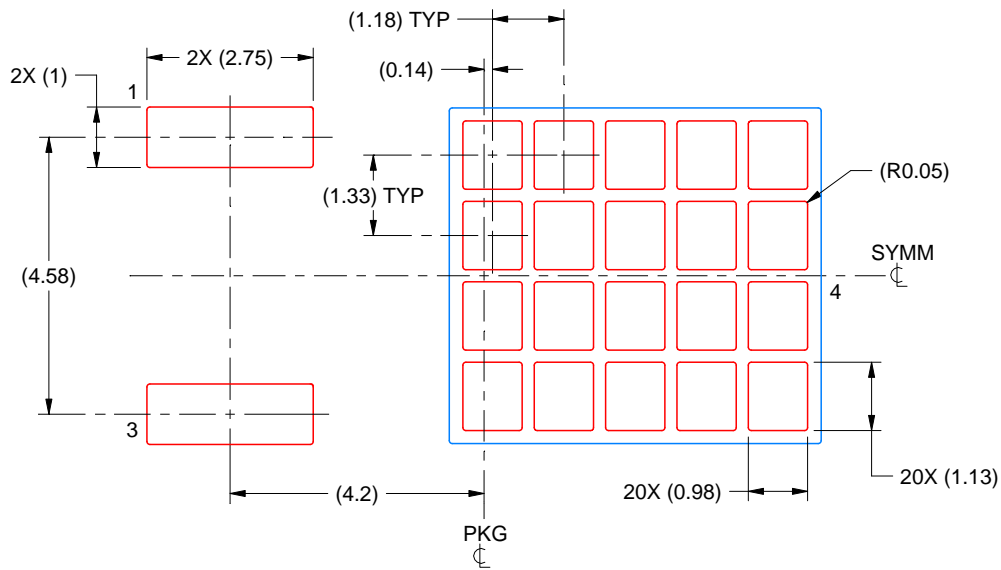
5. This package is designed to be soldered to a thermal pad on the board. For more information, see Texas Instruments literature numbers SLMA002 (www.ti.com/lit/slm002) and SLMA004 (www.ti.com/lit/slma004).
6. Vias are optional depending on application, refer to device data sheet. It is recommended that vias under paste be filled, plugged or tented.

EXAMPLE STENCIL DESIGN

KVU0003A

TO-252 - 2.52 mm max height

TO-252



SOLDER PASTE EXAMPLE
BASED ON 0.125 mm THICK STENCIL

EXPOSED PAD
65% PRINTED SOLDER COVERAGE BY AREA
SCALE:8X

4218915/A 02/2017

NOTES: (continued)

7. Laser cutting apertures with trapezoidal walls and rounded corners may offer better paste release. IPC-7525 may have alternate design recommendations.
8. Board assembly site may have different recommendations for stencil design.

IMPORTANT NOTICE AND DISCLAIMER

TI PROVIDES TECHNICAL AND RELIABILITY DATA (INCLUDING DATASHEETS), DESIGN RESOURCES (INCLUDING REFERENCE DESIGNS), APPLICATION OR OTHER DESIGN ADVICE, WEB TOOLS, SAFETY INFORMATION, AND OTHER RESOURCES "AS IS" AND WITH ALL FAULTS, AND DISCLAIMS ALL WARRANTIES, EXPRESS AND IMPLIED, INCLUDING WITHOUT LIMITATION ANY IMPLIED WARRANTIES OF MERCHANTABILITY, FITNESS FOR A PARTICULAR PURPOSE OR NON-INFRINGEMENT OF THIRD PARTY INTELLECTUAL PROPERTY RIGHTS.

These resources are intended for skilled developers designing with TI products. You are solely responsible for (1) selecting the appropriate TI products for your application, (2) designing, validating and testing your application, and (3) ensuring your application meets applicable standards, and any other safety, security, or other requirements. These resources are subject to change without notice. TI grants you permission to use these resources only for development of an application that uses the TI products described in the resource. Other reproduction and display of these resources is prohibited. No license is granted to any other TI intellectual property right or to any third party intellectual property right. TI disclaims responsibility for, and you will fully indemnify TI and its representatives against, any claims, damages, costs, losses, and liabilities arising out of your use of these resources.

TI's products are provided subject to TI's Terms of Sale (www.ti.com/legal/termsofsale.html) or other applicable terms available either on ti.com or provided in conjunction with such TI products. TI's provision of these resources does not expand or otherwise alter TI's applicable warranties or warranty disclaimers for TI products.

Mailing Address: Texas Instruments, Post Office Box 655303, Dallas, Texas 75265
Copyright © 2019, Texas Instruments Incorporated

Looking for pricing, stock, or lifecycle information?

Click below to explore more details on WIN SOURCE:

 [View UA78M05CDCYRG3 on WIN SOURCE](#)

 [Texas Instruments](#) Information

Optimize Your Supply Chain with WIN SOURCE Solutions

-  Global Sourcing Solution
-  Obsolete Management
-  Cost Control Management
-  Shortage Management
-  Alternative Solution
-  Excess Inventory Management