



**THE DATASHEET OF  
SA57000-33D,115**



# DATA SHEET

## **SA57000-XX**

CapFREE™ 150 mA, low-noise, low dropout  
regulator with thermal protection

Product data  
Supersedes data of 2001 Jul 12  
File under Integrated Circuits, Standard Analog

2001 Aug 27

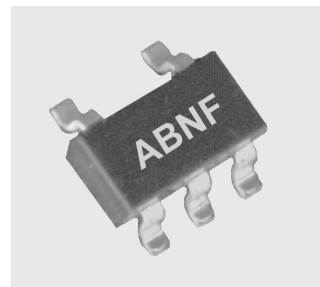
# CapFREE™ 150 mA, low-noise, low dropout regulator with thermal protection

SA57000-XX

## GENERAL DESCRIPTION

The CapFREE™ SA57000 is the first in a new family of unique low dropout regulators. It needs no external capacitors, offers a low output noise voltage of  $30 \mu\text{V}_{\text{RMS}}$ , and an ultra-low dropout voltage of  $55 \text{ mV} @ 50 \text{ mA}$  output current. To accommodate high density layouts, it is packaged in the small footprint 5 leaded SOT23-5 (SO5). It is ideal for all portable and cellular phone applications.

Additional features include power and thermal shutdown, output current limitation, power OK status, thermal warning, and external logic-controlled on-off via the PWRON pin.



## FEATURES

- CapFREE: No output capacitor needed, stable for all capacitive loads, regardless of ESR
- Low  $30 \mu\text{V}_{\text{RMS}}$  noise without noise bypass capacitor
- Preset output voltages to 2.5 V, 2.8 V, 3.0 V, 3.3 V and 3.6 V; other voltages available upon request. 2% output voltage accuracy
- 150 mA maximum output current with current limitation
- Typical dropout voltage  $55 \text{ mV} @ 50 \text{ mA}$  output current
- $85 \mu\text{A}$  typical ground current
- Thermal-overload and short-circuit protection
- PWROK pin: both power status and thermal warning indicator
- PWRON pin offers logic-controlled shutdown
- Maximum line regulation:  $0.1\%/V$
- Maximum load regulation:  $0.02\%/mA$ .

## APPLICATIONS

- Cordless and mobile phones
- Industrial and medical equipment
- Other battery-powered equipment.

## SIMPLIFIED SYSTEM DIAGRAM

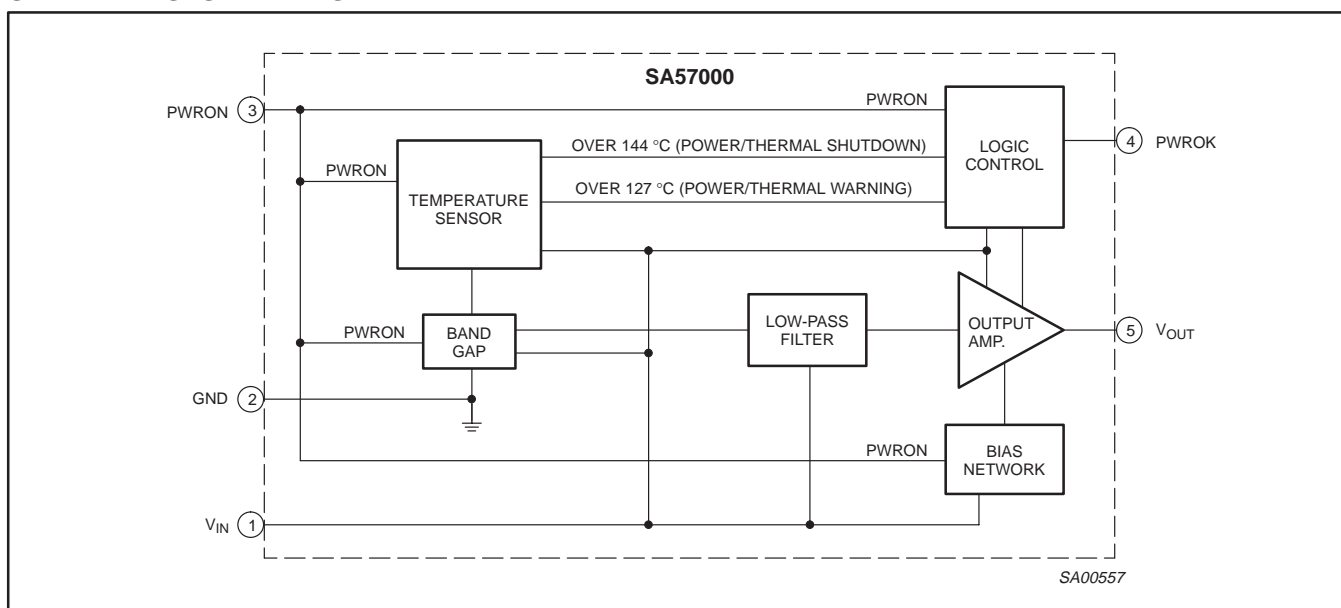


Figure 1. Simplified system diagram.

# CapFREE™ 150 mA, low-noise, low dropout regulator with thermal protection

SA57000-XX

## ORDERING INFORMATION

TYPE NUMBER	PACKAGE			TEMPERATURE RANGE
	NAME	DESCRIPTION	VERSION	
SA57000-XXD	SOT23-5, SOT25, SO5	plastic small outline package; 5 leads (see dimensional drawing)	SOT680-1	-40 to +85 °C

### NOTE:

The device has five voltage output options, indicated by the **XX** on the Type Number.

XX	VOLTAGE (Typical)
25	2.5 V
28	2.8 V
30	3.0 V
33	3.3 V
36	3.6 V

### Part number marking

Each package is marked with a four letter code. The first three letters designate the product. The fourth letter, represented by 'x', is a date tracking code.

Part number	Marking
SA57000-25D	A B K x
SA57000-28D	A B L x
SA57000-30D	A B M x
SA57000-33D	A B N x
SA57000-36D	A B P x

## PIN CONFIGURATION

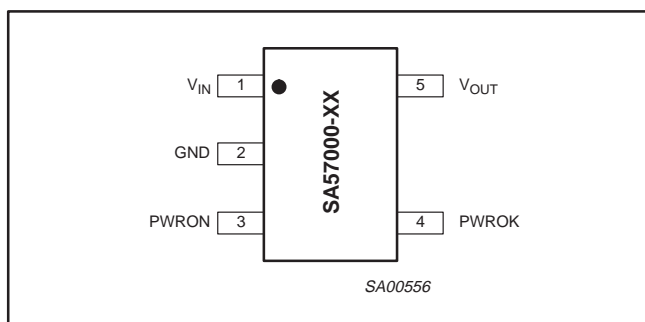


Figure 2. Pin configuration.

## PIN DESCRIPTION

PIN	SYMBOL	DESCRIPTION
1	V <sub>IN</sub>	Regulator input. V <sub>OUT(nom)</sub> + 0.1 V to 5.5 V. No bypass capacitor required.
2	GND	Ground.
3	PWRON	Power-on input. Active-HIGH. A logic LOW powers down regulator. The shutdown quiescent current is typically 50 nA. Connect to V <sub>IN</sub> for manual operation.
4	PWROK	Power OK indicator, including thermal warning. Trips (goes LOW) at 127 °C (±2°), or when power falls typically 6% below V <sub>OUT(nom)</sub> .
5	V <sub>OUT</sub>	Regulator output. Sources up to 150 mA. No bypass capacitors required.

## MAXIMUM RATINGS

SYMBOL	PARAMETER	MIN.	MAX.	UNIT
V <sub>IN</sub>	V <sub>IN</sub> to GND voltage	-0.3	5.5	V <sub>dc</sub>
V <sub>PWRON</sub>	PWRON to GND voltage	-0.3	5.5	V <sub>dc</sub>
V <sub>OUT</sub>	OUT to GND voltage	-0.3	V <sub>IN</sub> + 0.3	V <sub>dc</sub>
T <sub>amb</sub>	Operating ambient temperature	-40	+85	°C
T <sub>j</sub>	Junction temperature	-	+150	°C
T <sub>stg</sub>	Storage temperature	-65	+160	°C
P	Power dissipation	-	575	mW
R <sub>th(j-a)</sub>	Thermal resistance from junction to ambient	-	140	°C/W

# CapFREE™ 150 mA, low-noise, low dropout regulator with thermal protection

SA57000-XX

## CHARACTERISTICS

 $V_{IN} = V_{OUT(nom)} + 0.5 \text{ V}$ . (Note 1.)

SYMBOL	PARAMETER	CONDITIONS	MIN.	TYP.	MAX.	UNIT
$V_{IN}$	input voltage		$V_{OUT(nom)}$	–	5.5	V
	output voltage accuracy <sup>2</sup>	$I_{OUT} = 1 \text{ mA}$ $T_{amb} = +25 \text{ °C}$ $-40 \text{ °C} \leq T_{amb} \leq +85 \text{ °C}$	– –2.0	$\pm 1$ –	– 2.0	% %
$I_{LIM}$	current limit		160	300	–	mA
$I_Q$	ground pin current	$I_{OUT} = 1 \text{ mA to } 150 \text{ mA}$	–	85	150	$\mu\text{A}$
	dropout voltage <sup>3</sup>	$I_{OUT} = 1 \text{ mA}$	–	1	–	mV
		$I_{OUT} = 50 \text{ mA}$	–	55	120	mV
		$I_{OUT} = 150 \text{ mA}$	–	165	–	mV
$\Delta V_{LNR}$	line regulation	$V_{IN} = (V_{OUT} + 0.1 \text{ V}) \text{ to } 5.5 \text{ V}; I_{OUT} = 20 \text{ mA}$	–	–	0.1	%/V
$\Delta V_{LDR}$	load regulation	$I_{OUT} = 1 \text{ mA to } 150 \text{ mA}$	–	0.01	0.02	%/mA
$e_n$	output voltage noise	$f = 10 \text{ Hz to } 100 \text{ kHz}, C_{OUT} = 10 \mu\text{F}$	–	30	–	$\mu\text{VRMS}$
<b>Shutdown</b>						
$V_{IH}$	PWRON input threshold (HIGH ON-state)	$V_{IN} \rightarrow V_{OUT(nom)} \rightarrow 5.5 \text{ V}$	$0.7 \times V_{IN}$	–	–	V
$V_{IL}$	PWRON input threshold (HIGH ON-state)	$V_{IN} \rightarrow V_{OUT(nom)} \rightarrow 5.5 \text{ V}$	–	–	$0.3 \times V_{IN}$	V
$I_{PWRON}$	PWRON input bias current	$V_{PWRON} = V_{IN}$ $T_{amb} = +25 \text{ °C}$ $T_{amb} = +85 \text{ °C}$	– –	0.01 0.05	1 –	$\mu\text{A}$ $\mu\text{A}$
$I_{Q(SHDN)}$	shutdown supply current	$V_{OUT} = 0 \text{ V}$ $T_{amb} = +25 \text{ °C}$ $T_{amb} = +85 \text{ °C}$	– –	0.05 0.2	1 1	$\mu\text{A}$ $\mu\text{A}$
$t_{PWRON}$	power-on start-up time <sup>4</sup>	$I_{OUT} = 1 \text{ mA}, C_{OUT} = 100 \text{ nF}$ $T_{amb} = +25 \text{ °C}$ $T_{amb} = -40 \text{ to } +85 \text{ °C}$	– –	25 35	100 200	$\mu\text{s}$ $\mu\text{s}$
<b>Thermal protection (Note 2)</b>						
$T_{SHDN}$	thermal shut-down temperature		–	144	–	$^{\circ}\text{C}$
$\Delta T_{SHDN}$	thermal shut-down hysteresis		–	13	–	$^{\circ}\text{C}$
<b>PWROK output (power and temperature OK) (Note 2)</b>						
	PWROK trip temperature		–	127	–	$^{\circ}\text{C}$
	PWROK trip temperature hysteresis		–	12	–	$^{\circ}\text{C}$
	PWROK trip as percentage of $V_{OUT(nom)}$		–3.5	–6	–8	%
	PWROK hysteresis as percentage of $V_{OUT(nom)}$		–	2	–	%
	PWROK output (when tripped)	$I_{SINK} = 0.5 \text{ mA}$	–	0.1	0.4	V

### NOTES:

- Limits are production tested at  $T_{amb} = +25 \text{ °C}$ . All devices are 100% production tested at  $25 \text{ °C}$ . Limits over the operating temperature are guaranteed by design.
- Accuracy  $\pm 2 \text{ °C}$  over temperature range guaranteed by design and characterization.
- The dropout voltage is defined as  $V_{IN} - V_{OUT}$  where  $V_{OUT}$  is 100 mV below the value of  $V_{OUT}$  for  $V_{IN} = V_{OUT} + 0.5 \text{ V}$ .
- Time needed for  $V_{OUT}$  to reach 95% of  $V_{OUT(nom)}$ .

# CapFREE™ 150 mA, low-noise, low dropout regulator with thermal protection

SA57000-XX

## TYPICAL PERFORMANCE CURVES

Measurements taken with the SA57000-33 (3.3 volt output).

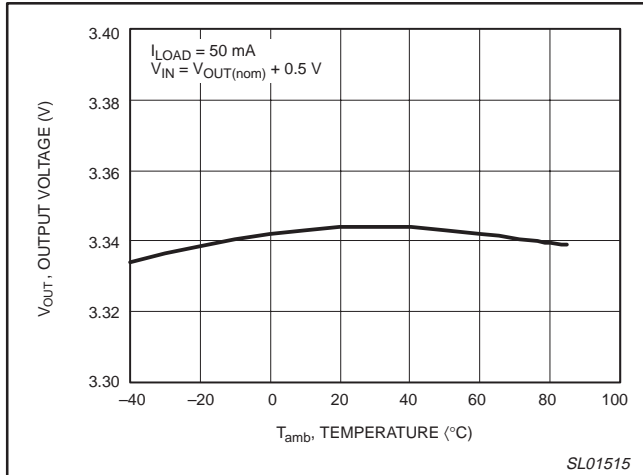


Figure 3. Output voltage versus temperature.

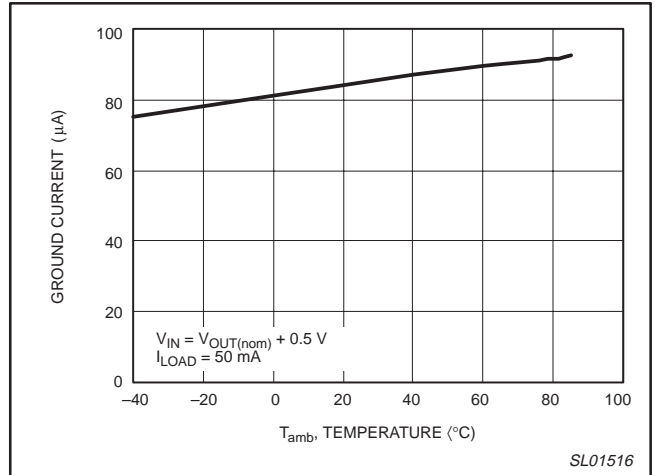


Figure 4. Ground current versus temperature.

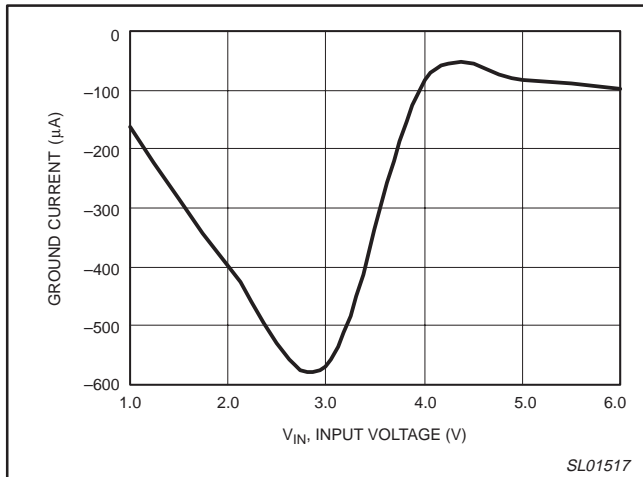


Figure 5. Ground current versus input voltage (no load).

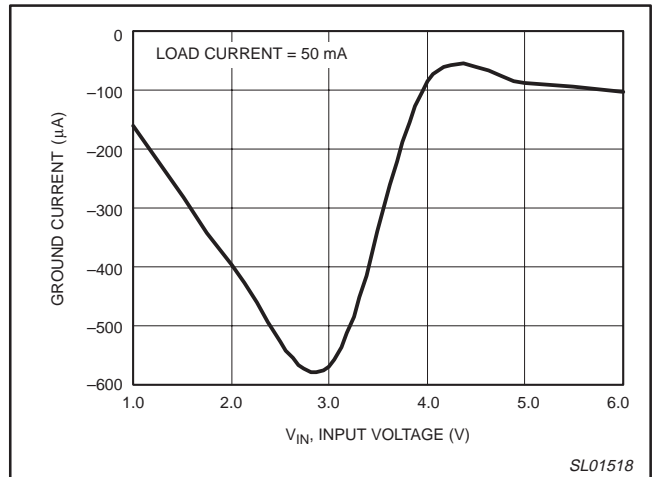


Figure 6. Ground current versus input voltage with load.

# CapFREE™ 150 mA, low-noise, low dropout regulator with thermal protection

SA57000-XX

## PACKING METHOD

The SA57000-XX is packed in reels, as shown in Figure 7.

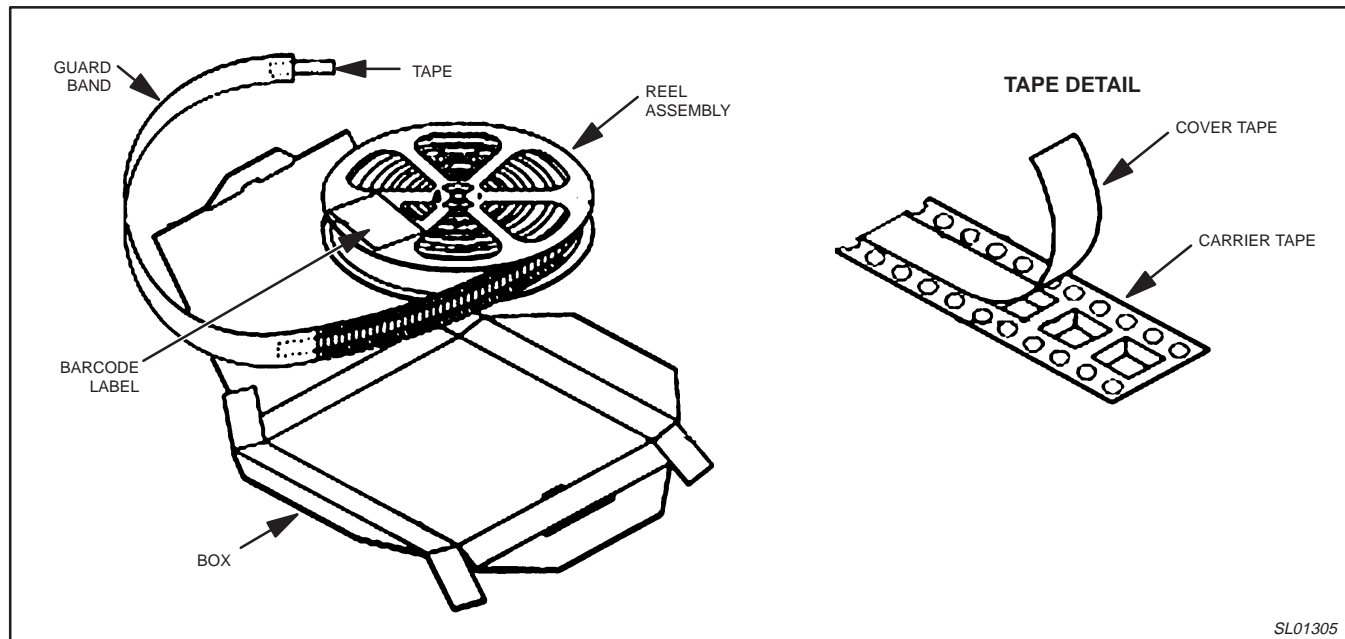


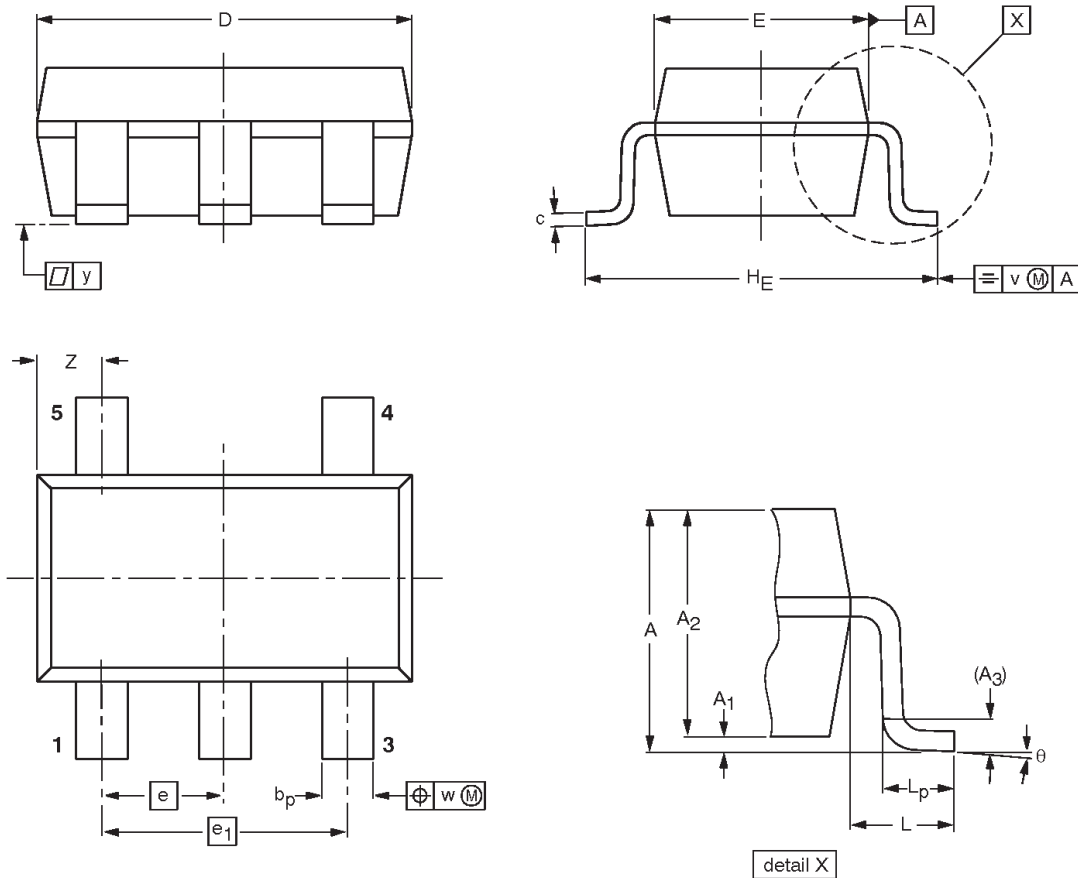
Figure 7. Tape and reel packing method

# CapFREE™ 150 mA, low-noise, low dropout regulator with thermal protection

SA57000-XX

**S05:** plastic small outline package; 5 leads; body width 1.6 mm

**SOT680-1**



**DIMENSIONS (mm are the original dimensions)**

UNIT	A max.	A <sub>1</sub>	A <sub>2</sub>	A <sub>3</sub>	b <sub>p</sub>	c	D <sup>(1)</sup>	E <sup>(1)</sup>	e	e <sub>1</sub>	H <sub>E</sub>	L	L <sub>p</sub>	v	w	y	Z	θ
mm	1.45	0.05 0.15	1.3 0.9	0.20	0.50 0.30	0.22 0.08	3.05 2.75	1.75 1.45	0.95	1.90	3.00 2.60	0.60	0.60 0.30	0.2	0.2	0.1	0.75 0.25	8° 0°

**Note**

1. Plastic or metal protrusions of 0.25 mm maximum per side are not included.

OUTLINE VERSION	REFERENCES				EUROPEAN PROJECTION	ISSUE DATE
	IEC	JEDEC	EIAJ			
SOT680-1		MO-178				01-03-22

# CapFREE™ 150 mA, low-noise, low dropout regulator with thermal protection

SA57000-XX

## Data sheet status

Data sheet status <sup>[1]</sup>	Product status <sup>[2]</sup>	Definitions
Objective data	Development	This data sheet contains data from the objective specification for product development. Philips Semiconductors reserves the right to change the specification in any manner without notice.
Preliminary data	Qualification	This data sheet contains data from the preliminary specification. Supplementary data will be published at a later date. Philips Semiconductors reserves the right to change the specification without notice, in order to improve the design and supply the best possible product.
Product data	Production	This data sheet contains data from the product specification. Philips Semiconductors reserves the right to make changes at any time in order to improve the design, manufacturing and supply. Changes will be communicated according to the Customer Product/Process Change Notification (CPCN) procedure SNW-SQ-650A.

[1] Please consult the most recently issued data sheet before initiating or completing a design.

[2] The product status of the device(s) described in this data sheet may have changed since this data sheet was published. The latest information is available on the Internet at URL <http://www.semiconductors.philips.com>.

## Definitions

**Short-form specification** — The data in a short-form specification is extracted from a full data sheet with the same type number and title. For detailed information see the relevant data sheet or data handbook.

**Limiting values definition** — Limiting values given are in accordance with the Absolute Maximum Rating System (IEC 60134). Stress above one or more of the limiting values may cause permanent damage to the device. These are stress ratings only and operation of the device at these or at any other conditions above those given in the Characteristics sections of the specification is not implied. Exposure to limiting values for extended periods may affect device reliability.

**Application information** — Applications that are described herein for any of these products are for illustrative purposes only. Philips Semiconductors make no representation or warranty that such applications will be suitable for the specified use without further testing or modification.

## Disclaimers

**Life support** — These products are not designed for use in life support appliances, devices or systems where malfunction of these products can reasonably be expected to result in personal injury. Philips Semiconductors customers using or selling these products for use in such applications do so at their own risk and agree to fully indemnify Philips Semiconductors for any damages resulting from such application.

**Right to make changes** — Philips Semiconductors reserves the right to make changes, without notice, in the products, including circuits, standard cells, and/or software, described or contained herein in order to improve design and/or performance. Philips Semiconductors assumes no responsibility or liability for the use of any of these products, conveys no license or title under any patent, copyright, or mask work right to these products, and makes no representations or warranties that these products are free from patent, copyright, or mask work right infringement, unless otherwise specified.

## Contact information

For additional information please visit  
<http://www.semiconductors.philips.com>. Fax: +31 40 27 24825

© Koninklijke Philips Electronics N.V. 2001  
All rights reserved. Printed in U.S.A.

Date of release: 08-01

For sales offices addresses send e-mail to:  
[sales.addresses@www.semiconductors.philips.com](mailto:sales.addresses@www.semiconductors.philips.com)

Document order number:

9397 750 08722

*Let's make things better.*

## Looking for pricing, stock, or lifecycle information?

Click below to explore more details on WIN SOURCE:

 [View SA57000-33D,115 on WIN SOURCE](#)

 [NXP / Nexperia Information](#)

## Optimize Your Supply Chain with WIN SOURCE Solutions

-  Global Sourcing Solution
-  Obsolete Management
-  Cost Control Management
-  Shortage Management
-  Alternative Solution
-  Excess Inventory Management