



**THE DATASHEET OF  
LM4050BIM3X-8.2**



## LM4050-N/-Q1 Precision Micropower Shunt Voltage Reference

### 1 Features

- Small Package: SOT-23
- No Output Capacitor Required
- Tolerates Capacitive Loads
- Fixed Reverse Breakdown Voltages of 2.048 V, 2.5 V, 4.096 V, 5 V, 8.192 V, and 10 V
- Key Specifications (LM4050-N)
  - Output Voltage Tolerance (A Grade, 25°C)  $\pm 0.1\%$  (Maximum)
  - Low Output Noise (10 Hz to 10 kHz) 41  $\mu\text{V}_{\text{rms}}$  (Typical)
  - Wide Operating Current Range 60  $\mu\text{A}$  to 15 mA
  - Industrial Temperature Range  $-40^{\circ}\text{C}$  to  $85^{\circ}\text{C}$
  - Extended Temperature Range  $-40^{\circ}\text{C}$  to  $125^{\circ}\text{C}$
  - Low Temperature Coefficient 50 ppm/ $^{\circ}\text{C}$  (max)
  - LM4050-N-Q1 is AEC-Q100 Grade 1 Qualified and are Manufactured on an Automotive Grade Flow

### 2 Applications

- Portable, Battery-Powered Equipment
- Data Acquisition Systems
- Instrumentation
- Process Control
- Energy Management
- Product Testing
- Automotive
- Precision Audio Components

### 3 Description

Ideal for space-critical applications, the LM4050-N precision voltage reference is available in the sub-miniature (3 mm x 1.3 mm) SOT-23 surface-mount package. The LM4050-N design eliminates the need for an external stabilizing capacitor while ensuring stability with any capacitive load, thus making the LM4050-N easy to use. Further reducing design effort is the availability of several fixed reverse breakdown voltages: 2.048 V, 2.5 V, 4.096 V, 5 V, 8.192 V, and 10 V. The minimum operating current increases from 60  $\mu\text{A}$  for the LM4050-N-2.0 to 100  $\mu\text{A}$  for the LM4050-N-10.0. All versions have a maximum operating current of 15 mA.

The LM4050-N utilizes fuse and Zener-zap reverse breakdown voltage trim during wafer sort to ensure that the prime parts have an accuracy of better than  $\pm 0.1\%$  (A grade) at 25°C. Bandgap reference temperature drift curvature correction and low dynamic impedance ensure stable reverse breakdown voltage accuracy over a wide range of operating temperatures and currents.

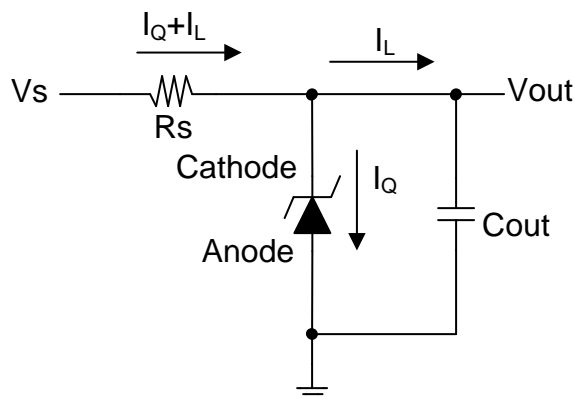
All grades and voltage options of the LM4050-N are available in both an industrial temperature range ( $-40^{\circ}\text{C}$  and  $85^{\circ}\text{C}$ ) and an extended temperature range ( $-40^{\circ}\text{C}$  and  $125^{\circ}\text{C}$ ).

#### Device Information<sup>(1)</sup>

| PART NUMBER | PACKAGE    | BODY SIZE (NOM)   |
|-------------|------------|-------------------|
| LM4050-N    | SOT-23 (3) | 2.92 mm x 1.30 mm |
| LM4050-N-Q1 |            |                   |

(1) For all available packages, see the orderable addendum at the end of the data sheet.

#### Shunt Regulator Schematic



## Table of Contents

|  |   |
|--|---|
| <b>1 Features</b> ..... 1<br><b>2 Applications</b> ..... 1<br><b>3 Description</b> ..... 1<br><b>4 Revision History</b> ..... 2<br><b>5 Pin Configuration and Functions</b> ..... 3<br><b>6 Specifications</b> ..... 3<br>6.1 Absolute Maximum Ratings ..... 3<br>6.2 ESD Ratings..... 3<br>6.3 Recommended Operating Conditions ..... 4<br>6.4 Thermal Information ..... 4<br>6.5 Electrical Characteristics: 2-V Option ..... 5<br>6.6 Electrical Characteristics: 2.5-V Option ..... 6<br>6.7 Electrical Characteristics: 4.1-V Option ..... 7<br>6.8 Electrical Characteristics: 5-V Option ..... 8<br>6.9 Electrical Characteristics: 8.2-V Option ..... 9<br>6.10 Electrical Characteristics: 10-V Option ..... 10<br>6.11 Typical Characteristics ..... 11<br><b>7 Parameter Measurement Information</b> ..... 12<br><b>8 Detailed Description</b> ..... 13 | 8.1 Overview ..... 13<br>8.2 Functional Block Diagram ..... 13<br>8.3 Feature Description ..... 13<br>8.4 Device Functional Modes..... 13<br><b>9 Application and Implementation</b> ..... 14<br>9.1 Application Information..... 14<br>9.2 Typical Applications ..... 15<br><b>10 Power Supply Recommendations</b> ..... 21<br><b>11 Layout</b> ..... 21<br>11.1 Layout Guidelines ..... 21<br>11.2 Layout Example ..... 21<br><b>12 Device and Documentation Support</b> ..... 22<br>12.1 Related Links ..... 22<br>12.2 Community Resources..... 22<br>12.3 Trademarks ..... 22<br>12.4 Electrostatic Discharge Caution..... 22<br>12.5 Glossary ..... 22<br><b>13 Mechanical, Packaging, and Orderable Information</b> ..... 22 |
|--|---|

### 4 Revision History

NOTE: Page numbers for previous revisions may differ from page numbers in the current version.

| Changes from Revision F (June 2015) to Revision G  | Page |
|--|------|
| • Added <i>ESD Ratings</i> table, <i>Feature Description</i> section, <i>Device Functional Modes</i> , <i>Application and Implementation</i> section, <i>Power Supply Recommendations</i> section, <i>Layout</i> section, <i>Device and Documentation Support</i> section, and <i>Mechanical, Packaging, and Orderable Information</i> section ..... | 1    |
| • Removed Vapor Phase and Infrared Lead Temperatures from Abs Max Ratings table. ....  | 3    |

| Changes from Revision E (April 2013) to Revision F  | Page |
|---|------|
| • Deleted "-25" from (LM4050-N) in Key Specifications title and "A/-Q1B/-Q1C" from Key Specification re: auto grade ..... | 1    |
| • Added Maximum Junction Temperature to Abs Max Ratings table .....   | 3    |
| • Added table notes to Operating Ratings table to clarify operating and high junction temperature ranges .....            | 4    |
| • Deleted "-N" from part numbers in EC table "Limits" column headers .....  | 5    |

| Changes from Revision D (April 2013) to Revision E         | Page |
|--|------|
| • Changed layout of National Data Sheet to TI format ..... | 20   |

## 5 Pin Configuration and Functions



\*This pin must be left floating or connected to pin 2.

### Pin Functions

| PIN     |     | I/O | DESCRIPTION                              |
|---------|-----|-----|--|
| NAME    | NO. |     |  |
| Cathode | 1   | I/O | Shunt current and input voltage          |
| Anode   | 2   | O   | Common pin, normally connected to ground |
| NC      | 3   | —   | No internal connection                   |

## 6 Specifications

### 6.1 Absolute Maximum Ratings

See <sup>(1), (2)</sup>

|   | MIN | MAX | UNIT |
|---|-----|-----|------|
| Reverse Current   |     | 20  | mA   |
| Forward Current   |     | 10  | mA   |
| Power Dissipation ( $T_A = 25^\circ\text{C}$ ) <sup>(3)</sup> |     | 280 | mW   |
| Maximum Junction Temperature <sup>(4)</sup>                   |     | 150 | °C   |
| Storage Temperature   | -65 | 150 | °C   |

- (1) Stresses beyond those listed under *Absolute Maximum Ratings* may cause permanent damage to the device. These are stress ratings only, which do not imply functional operation of the device at these or any other conditions beyond those indicated under *Recommended Operating Conditions*. Exposure to absolute-maximum-rated conditions for extended periods may affect device reliability.
- (2) If Military/Aerospace specified devices are required, please contact the Texas Instruments Sales Office/ Distributors for availability and specifications.
- (3) The maximum power dissipation must be derated at elevated temperatures and is dictated by  $T_{Jmax}$  (maximum junction temperature),  $R_{\theta JA}$  (junction to ambient thermal resistance), and  $T_A$  (ambient temperature). The maximum allowable power dissipation at any temperature is  $PD_{max} = (T_{Jmax} - T_A)/R_{\theta JA}$  or the number given in the *Absolute Maximum Ratings*, whichever is lower. For the LM4050-N,  $T_{Jmax} = 150^\circ\text{C}$ , and the typical thermal resistance ( $R_{\theta JA}$ ), when board mounted, is  $326^\circ\text{C/W}$  for the SOT-23 package.
- (4) High junction temperatures degrade operating lifetimes. Operating lifetime is de-rated for junction temperatures greater than  $125^\circ\text{C}$ .

### 6.2 ESD Ratings

|             |                         | VALUE  | UNIT  |
|-------------|-------------------------|--|-------|
| $V_{(ESD)}$ | Electrostatic discharge | Human body model (HBM), per ANSI/ESDA/JEDEC JS-001 <sup>(1)</sup>              | ±2000 |
|             |                         | Charged device model (CDM), per JEDEC specification JESD22-C101 <sup>(2)</sup> | ±1000 |
|             |                         | Machine model (MM)   | ±200  |

- (1) JEDEC document JEP155 states that 500-V HBM allows safe manufacturing with a standard ESD control process.
- (2) JEDEC document JEP157 states that 250-V CDM allows safe manufacturing with a standard ESD control process.

### 6.3 Recommended Operating Conditions

 over operating free-air temperature range (unless otherwise noted) <sup>(1)(2)</sup>

|                              |                            | MIN | MAX | UNIT |
|------------------------------|----------------------------|-----|-----|------|
| Industrial Temperature Range | Ambient Temperature Range  | -40 | 85  | °C   |
|                              | Junction Temperature Range | -40 | 85  | °C   |
| Extended Temperature Range   | Ambient Temperature Range  | -40 | 125 | °C   |
|                              | Junction Temperature       | -40 | 125 | °C   |

- (1) The maximum power dissipation must be derated at elevated temperatures and is dictated by  $T_{Jmax}$  (maximum junction temperature),  $R_{\theta JA}$  (junction to ambient thermal resistance), and  $T_A$  (ambient temperature). The maximum allowable power dissipation at any temperature is  $PD_{max} = (T_{Jmax} - T_A)/R_{\theta JA}$  or the number given in the *Absolute Maximum Ratings*, whichever is lower. For the LM4050-N,  $T_{Jmax} = 150^\circ\text{C}$ , and the typical thermal resistance ( $R_{\theta JA}$ ), when board mounted, is  $326^\circ\text{C/W}$  for the SOT-23 package.
- (2) *Recommended Operating Conditions* are conditions under the device is intended to be functional. For specifications and conditions, see *Electrical Characteristics* section.

### 6.4 Thermal Information

| THERMAL METRIC <sup>(1)</sup> |  | LM4050-N/-Q1 | UNIT |
|-------------------------------|--|--------------|------|
|                               |  | DBZ (SOT-23) |      |
|                               |  | 3 PINS       |      |
| $R_{\theta JA}$               | Junction-to-ambient thermal resistance       | 287          | °C/W |
| $R_{\theta JC(top)}$          | Junction-to-case (top) thermal resistance    | 106.6        | °C/W |
| $R_{\theta JB}$               | Junction-to-board thermal resistance         | 57.7         | °C/W |
| $\Psi_{JT}$                   | Junction-to-top characterization parameter   | 5.5          | °C/W |
| $\Psi_{JB}$                   | Junction-to-board characterization parameter | 56.4         | °C/W |
| $R_{\theta JC(bot)}$          | Junction-to-case (bottom) thermal resistance | N/A          | °C/W |

- (1) For more information about traditional and new thermal metrics, see the *Semiconductor and IC Package Thermal Metrics* application report, [SPRA953](#).

## 6.5 Electrical Characteristics: 2-V Option

All other limits  $T_A = T_J = 25^\circ\text{C}$ . The grades A, B and C designate initial Reverse Breakdown Voltage tolerances of  $\pm 0.1\%$ ,  $\pm 0.2\%$ , and  $0.5\%$  respectively.

| PARAMETER               |   | TEST CONDITIONS  |                        | MIN <sup>(1)</sup> | TYP <sup>(2)</sup> | MAX <sup>(1)</sup>         | UNIT |
|-------------------------|---|--|------------------------|--------------------|--------------------|----------------------------|------|
| $V_R$                   | Reverse Breakdown Voltage   | $I_R = 100 \mu\text{A}$  |                        | 2.048              |                    |                            | V    |
|                         | Reverse breakdown voltage tolerance <sup>(3)</sup>                            | $I_R = 100 \mu\text{A}$  | LM4050AIM3, LM4050AEM3 |                    |                    | $\pm 2.048$                | mV   |
|                         |   |  | LM4050BIM3, LM4050BEM3 |                    |                    | $\pm 4.096$                |      |
|                         |   |  | LM4050CIM3, LM4050CEM3 |                    |                    | $\pm 1024$                 |      |
|                         |   | Industrial temperature range<br>$T_A = T_J = T_{\text{MIN}}$ to $T_{\text{MAX}}$             | LM4050AIM3, LM4050AEM3 |                    |                    | $\pm 9.0112$               |      |
|                         |   |  | LM4050BIM3, LM4050BEM3 |                    |                    | $\pm 11.4688$              |      |
|                         |   |  | LM4050CIM3, LM4050CEM3 |                    |                    | $\pm 14.7456$              |      |
|                         |   | Extended temperature range<br>$T_A = T_J = T_{\text{MIN}}$ to $T_{\text{MAX}}$               | LM4050AIM3, LM4050AEM3 |                    |                    | $\pm 12.288$               |      |
|                         |   |  | LM4050BIM3, LM4050BEM3 |                    |                    | $\pm 14.7456$              |      |
|                         |   |  | LM4050CIM3, LM4050CEM3 |                    |                    | $\pm 17.2032$              |      |
| $I_{R\text{MIN}}$       | Minimum operating current   | $T_A = T_J = 25^\circ\text{C}$   |                        | 41                 | 60                 | $\mu\text{A}$              |      |
|                         |   | $T_A = T_J = T_{\text{MIN}}$ to $T_{\text{MAX}}$   |                        | 65                 |                    |                            |      |
| $\Delta V_R/\Delta T$   | Average reverse breakdown voltage temperature coefficient <sup>(3)</sup>      | $I_R = 10 \text{ mA}$  |                        | $\pm 20$           |                    | ppm/ $^\circ\text{C}$      |      |
|                         |   | $I_R = 1 \text{ mA}$   |                        | $\pm 15$           |                    |                            |      |
|                         |   | $I_R = 100 \mu\text{A}, T_A = T_J = 25^\circ\text{C}$  |                        | $\pm 15$           |                    |                            |      |
|                         |   | $I_R = 100 \mu\text{A}, T_A = T_J = T_{\text{MIN}}$ to $T_{\text{MAX}}$                      |                        | $\pm 50$           |                    |                            |      |
| $\Delta V_R/\Delta I_R$ | Reverse breakdown voltage change with operating current change <sup>(4)</sup> | $I_{R\text{MIN}} \leq I_R \leq 1 \text{ mA}, T_A = T_J = 25^\circ\text{C}$                   |                        | 0.3                | 0.8                | mV                         |      |
|                         |   | $I_{R\text{MIN}} \leq I_R \leq 1 \text{ mA}, T_A = T_J = T_{\text{MIN}}$ to $T_{\text{MAX}}$ |                        | 1.2                |                    |                            |      |
|                         |   | $1 \text{ mA} \leq I_R \leq 15 \text{ mA}, T_A = T_J = 25^\circ\text{C}$                     |                        | 2.3                | 6                  |                            |      |
|                         |   | $1 \text{ mA} \leq I_R \leq 15 \text{ mA}, T_A = T_J = T_{\text{MIN}}$ to $T_{\text{MAX}}$   |                        | 8                  |                    |                            |      |
| $Z_R$                   | Reverse dynamic impedance   | $I_R = 1 \text{ mA}, f = 120 \text{ Hz}, I_{\text{AC}} = 0.1 I_R$                            |                        | 0.3                |                    | $\Omega$                   |      |
| $e_N$                   | Wideband noise  | $I_R = 100 \mu\text{A}, 10 \text{ Hz} \leq f \leq 10 \text{ kHz}$                            |                        | 34                 |                    | $\mu\text{V}_{\text{rms}}$ |      |
| $\Delta V_R$            | Reverse breakdown voltage long term stability                                 | $t = 1000 \text{ hrs}, T = 25^\circ\text{C} \pm 0.1^\circ\text{C}, I_R = 100 \mu\text{A}$    |                        | 120                |                    | ppm                        |      |
| $V_{\text{HYST}}$       | Thermal hysteresis <sup>(5)</sup>   | $\Delta T = -40^\circ\text{C}$ to $125^\circ\text{C}$  |                        | 0.7                |                    | mV                         |      |

- (1) Limits are 100% production tested at  $25^\circ\text{C}$ . Limits over temperature are guaranteed through correlation using Statistical Quality Control (SQC) methods. The limits are used to calculate National's AOQL.
- (2) Typicals are at  $T_J = 25^\circ\text{C}$  and represent most likely parametric norm.
- (3) The overtemperature limit for Reverse Breakdown Voltage Tolerance is defined as the room temperature Reverse Breakdown Voltage Tolerance  $\pm[(\Delta V_R/\Delta T)(\text{max}\Delta T)(V_R)]$ . Where,  $\Delta V_R/\Delta T$  is the  $V_R$  temperature coefficient,  $\text{max}\Delta T$  is the maximum difference in temperature from the reference point of  $25^\circ\text{C}$  to  $T_{\text{MIN}}$  or  $T_{\text{MAX}}$ , and  $V_R$  is the reverse breakdown voltage. The total overtemperature tolerance for the different grades in the industrial temperature range where  $\text{max}\Delta T = 65^\circ\text{C}$  is shown below: A-grade:  $\pm 0.425\% = \pm 0.1\% \pm 50 \text{ ppm}/^\circ\text{C} \times 65^\circ\text{C}$  B-grade:  $\pm 0.525\% = \pm 0.2\% \pm 50 \text{ ppm}/^\circ\text{C} \times 65^\circ\text{C}$  C-grade:  $\pm 0.825\% = \pm 0.5\% \pm 50 \text{ ppm}/^\circ\text{C} \times 65^\circ\text{C}$ . Therefore, as an example, the A-grade LM4050-N-2.5 has an overtemperature Reverse Breakdown Voltage tolerance of  $\pm 2.5\text{V} \times 0.425\% = \pm 11 \text{ mV}$ .
- (4) Load regulation is measured on pulse basis from no load to the specified load current. Output changes due to die temperature change must be taken into account separately.
- (5) Thermal hysteresis is defined as the difference in voltage measured at  $25^\circ\text{C}$  after cycling to temperature  $-40^\circ\text{C}$  and the  $25^\circ\text{C}$  measurement after cycling to temperature  $125^\circ\text{C}$ .

## 6.6 Electrical Characteristics: 2.5-V Option

All other limits  $T_A = T_J = 25^\circ\text{C}$ . The grades A, B and C designate initial Reverse Breakdown Voltage tolerances of  $\pm 0.1\%$ ,  $\pm 0.2\%$ , and  $0.5\%$  respectively.

| PARAMETER               |   | TEST CONDITIONS  |                        | MIN <sup>(1)</sup> | TYP <sup>(2)</sup> | MAX <sup>(1)</sup>         | UNIT          |
|-------------------------|---|--|------------------------|--------------------|--------------------|----------------------------|---------------|
| $V_R$                   | Reverse breakdown voltage   | $I_R = 100\ \mu\text{A}$   |                        | 2.500              |                    |                            | V             |
|                         |   | $I_R = 100\ \mu\text{A}$   | LM4050AIM3, LM4050AEM3 |                    |                    | $\pm 2.5$                  | mV            |
|                         |   |  | LM4050BIM3, LM4050BEM3 |                    |                    | $\pm 5$                    |               |
|                         | Reverse breakdown voltage tolerance <sup>(3)</sup>                            | Industrial temperature range, $T_A = T_J = T_{\text{MIN}}$ to $T_{\text{MAX}}$               | LM4050AIM3, LM4050AEM3 |                    |                    | $\pm 11$                   | mV            |
|                         |   |  | LM4050BIM3, LM4050BEM3 |                    |                    | $\pm 24$                   |               |
|                         |   |  | LM4050CIM3, LM4050CEM3 |                    |                    | $\pm 21$                   |               |
|                         |   | Extended temperature range, $T_A = T_J = T_{\text{MIN}}$ to $T_{\text{MAX}}$                 | LM4050AIM3, LM4050AEM3 |                    |                    | $\pm 15$                   |               |
|                         |   |  | LM4050BIM3, LM4050BEM3 |                    |                    | $\pm 18$                   |               |
| LM4050CIM3, LM4050CEM3  |   |  | $\pm 25$               |                    |                    |                            |               |
| $I_{\text{RMIN}}$       | Minimum operating current   | $T_A = T_J = 25^\circ\text{C}$   |                        | 41                 |                    | 60                         | $\mu\text{A}$ |
|                         |   | $T_A = T_J = T_{\text{MIN}}$ to $T_{\text{MAX}}$   |                        |                    |                    | 65                         |               |
| $\Delta V_R/\Delta T$   | Average reverse breakdown voltage temperature coefficient <sup>(3)</sup>      | $I_R = 10\ \text{mA}$  |                        | $\pm 20$           |                    | ppm/ $^\circ\text{C}$      |               |
|                         |   | $I_R = 1\ \text{mA}$   |                        | $\pm 15$           |                    |                            |               |
|                         |   | $I_R = 100\ \mu\text{A}, T_A = T_J = 25^\circ\text{C}$                                       |                        | $\pm 15$           |                    |                            |               |
|                         |   | $I_R = 100\ \mu\text{A}, T_A = T_J = T_{\text{MIN}}$ to $T_{\text{MAX}}$                     |                        | $\pm 50$           |                    |                            |               |
| $\Delta V_R/\Delta I_R$ | Reverse breakdown voltage change with operating current change <sup>(4)</sup> | $I_{\text{RMIN}} \leq I_R \leq 1\ \text{mA}, T_A = T_J = 25^\circ\text{C}$                   |                        | 0.3                | 0.8                |                            | mV            |
|                         |   | $I_{\text{RMIN}} \leq I_R \leq 1\ \text{mA}, T_A = T_J = T_{\text{MIN}}$ to $T_{\text{MAX}}$ |                        |                    |                    | 1.2                        |               |
| $\Delta V_R/\Delta I_R$ | Reverse breakdown voltage change with operating current change <sup>(4)</sup> | $1\ \text{mA} \leq I_R \leq 15\ \text{mA}, T_A = T_J = 25^\circ\text{C}$                     |                        | 2.3                | 6                  |                            | mV            |
|                         |   | $1\ \text{mA} \leq I_R \leq 15\ \text{mA}, T_A = T_J = T_{\text{MIN}}$ to $T_{\text{MAX}}$   |                        |                    |                    | 8                          |               |
| $Z_R$                   | Reverse dynamic impedance   | $I_R = 1\ \text{mA}, f = 120\ \text{Hz}, I_{\text{AC}} = 0.1\ I_R$                           |                        | 0.3                |                    | $\Omega$                   |               |
| $e_N$                   | Wideband noise  | $I_R = 100\ \mu\text{A}, 10\ \text{Hz} \leq f \leq 10\ \text{kHz}$                           |                        | 41                 |                    | $\mu\text{V}_{\text{rms}}$ |               |
| $\Delta V_R$            | Reverse breakdown voltage long term stability                                 | $t = 1000\ \text{hrs}, T = 25^\circ\text{C} \pm 0.1^\circ\text{C}, I_R = 100\ \mu\text{A}$   |                        | 120                |                    | ppm                        |               |
| $V_{\text{HYST}}$       | Thermal hysteresis <sup>(5)</sup>   | $\Delta T = -40^\circ\text{C}$ to $125^\circ\text{C}$  |                        | 07                 |                    | mV                         |               |

- (1) Limits are 100% production tested at  $25^\circ\text{C}$ . Limits over temperature are guaranteed through correlation using Statistical Quality Control (SQC) methods. The limits are used to calculate National's AOQL.
- (2) Typicals are at  $T_J = 25^\circ\text{C}$  and represent most likely parametric norm.
- (3) The overtemperature limit for Reverse Breakdown Voltage Tolerance is defined as the room temperature Reverse Breakdown Voltage Tolerance  $\pm[(\Delta V_R/\Delta T)(\text{max}\Delta T)(V_R)]$ . Where,  $\Delta V_R/\Delta T$  is the  $V_R$  temperature coefficient,  $\text{max}\Delta T$  is the maximum difference in temperature from the reference point of  $25^\circ\text{C}$  to  $T_{\text{MIN}}$  or  $T_{\text{MAX}}$ , and  $V_R$  is the reverse breakdown voltage. The total overtemperature tolerance for the different grades in the industrial temperature range where  $\text{max}\Delta T = 65^\circ\text{C}$  is shown below: A-grade:  $\pm 0.425\% = \pm 0.1\% \pm 50\ \text{ppm}/^\circ\text{C} \times 65^\circ\text{C}$  B-grade:  $\pm 0.525\% = \pm 0.2\% \pm 50\ \text{ppm}/^\circ\text{C} \times 65^\circ\text{C}$  C-grade:  $\pm 0.825\% = \pm 0.5\% \pm 50\ \text{ppm}/^\circ\text{C} \times 65^\circ\text{C}$ . Therefore, as an example, the A-grade LM4050-N-2.5 has an overtemperature Reverse Breakdown Voltage tolerance of  $\pm 2.5\text{V} \times 0.425\% = \pm 11\ \text{mV}$ .
- (4) Load regulation is measured on pulse basis from no load to the specified load current. Output changes due to die temperature change must be taken into account separately.
- (5) Thermal hysteresis is defined as the difference in voltage measured at  $25^\circ\text{C}$  after cycling to temperature  $-40^\circ\text{C}$  and the  $25^\circ\text{C}$  measurement after cycling to temperature  $125^\circ\text{C}$ .

## 6.7 Electrical Characteristics: 4.1-V Option

All other limits  $T_A = T_J = 25^\circ\text{C}$ . The grades A, B and C designate initial Reverse Breakdown Voltage tolerances of  $\pm 0.1\%$ ,  $\pm 0.2\%$ , and  $0.5\%$  respectively.

| PARAMETER               |   | TEST CONDITIONS  |                        | MIN      | TYP <sup>(1)</sup> | MAX                        | UNIT |
|-------------------------|---|--|------------------------|----------|--------------------|----------------------------|------|
| $V_R$                   | Reverse Breakdown Voltage   | $I_R = 100\ \mu\text{A}$   |                        | 4.096    |                    |                            | V    |
|                         | Reverse Breakdown Voltage Tolerance <sup>(2)</sup>                            | $I_R = 100\ \mu\text{A}$   | LM4050AIM3, LM4050AEM3 |          |                    | $\pm 4.1$                  | mV   |
|                         |   |  | LM4050BIM3, LM4050BEM3 |          |                    | $\pm 8.2$                  |      |
|                         |   |  | LM4050CIM3, LM4050CEM3 |          |                    | $\pm 21$                   |      |
|                         |   | Industrial temperature range, $T_A = T_J = T_{\text{MIN}}$ to $T_{\text{MAX}}$               | LM4050AIM3, LM4050AEM3 |          |                    | $\pm 18$                   |      |
|                         |   |  | LM4050BIM3, LM4050BEM3 |          |                    | $\pm 22$                   |      |
|                         |   |  | LM4050CIM3, LM4050CEM3 |          |                    | $\pm 34$                   |      |
|                         | Extended temperature range, $T_A = T_J = T_{\text{MIN}}$ to $T_{\text{MAX}}$  | LM4050AIM3, LM4050AEM3   |                        |          | $\pm 25$           |                            |      |
|                         |   | LM4050BIM3, LM4050BEM3   |                        |          | $\pm 29$           |                            |      |
|                         |   | LM4050CIM3, LM4050CEM3   |                        |          | $\pm 41$           |                            |      |
| $I_{R\text{MIN}}$       | Minimum Operating Current   | $T_A = T_J = 25^\circ\text{C}$   |                        | 52       | 68                 | $\mu\text{A}$              |      |
|                         |   | Industrial temperature range, $T_A = T_J = T_{\text{MIN}}$ to $T_{\text{MAX}}$               |                        | 73       |                    |                            |      |
|                         |   | Extended temperature range, $T_A = T_J = T_{\text{MIN}}$ to $T_{\text{MAX}}$                 |                        | 78       |                    |                            |      |
| $\Delta V_R/\Delta T$   | Average reverse breakdown voltage temperature coefficient <sup>(2)</sup>      | $I_R = 10\ \text{mA}$  |                        | $\pm 30$ |                    | ppm/ $^\circ\text{C}$      |      |
|                         |   | $I_R = 1\ \text{mA}$   |                        | $\pm 20$ |                    |                            |      |
|                         |   | $I_R = 100\ \mu\text{A}, T_A = T_J = 25^\circ\text{C}$                                       |                        | $\pm 20$ |                    |                            |      |
|                         |   | $I_R = 100\ \mu\text{A}, T_A = T_J = T_{\text{MIN}}$ to $T_{\text{MAX}}$                     |                        | $\pm 50$ |                    |                            |      |
| $\Delta V_R/\Delta I_R$ | Reverse breakdown voltage change with operating current change <sup>(3)</sup> | $I_{R\text{MIN}} \leq I_R \leq 1\ \text{mA}, T_A = T_J = 25^\circ\text{C}$                   |                        | 0.2      | 0.9                | mV                         |      |
|                         |   | $I_{R\text{MIN}} \leq I_R \leq 1\ \text{mA}, T_A = T_J = T_{\text{MIN}}$ to $T_{\text{MAX}}$ |                        | 1.2      |                    |                            |      |
|                         |   | $1\ \text{mA} \leq I_R \leq 15\ \text{mA}, T_A = T_J = 25^\circ\text{C}$                     |                        | 2        | 7                  |                            |      |
|                         |   | $1\ \text{mA} \leq I_R \leq 15\ \text{mA}, T_A = T_J = T_{\text{MIN}}$ to $T_{\text{MAX}}$   |                        | 10       |                    |                            |      |
| $Z_R$                   | Reverse dynamic impedance   | $I_R = 1\ \text{mA}, f = 120\ \text{Hz}, I_{\text{AC}} = 0.1\ I_R$                           |                        | 0.5      |                    | $\Omega$                   |      |
| $e_N$                   | Wideband noise  | $I_R = 100\ \mu\text{A}, 10\ \text{Hz} \leq f \leq 10\ \text{kHz}$                           |                        | 93       |                    | $\mu\text{V}_{\text{rms}}$ |      |
| $\Delta V_R$            | Reverse breakdown voltage long term stability                                 | $t = 1000\ \text{hrs}, T = 25^\circ\text{C} \pm 0.1^\circ\text{C}, I_R = 100\ \mu\text{A}$   |                        | 120      |                    | ppm                        |      |
| $V_{\text{HYST}}$       | Thermal hysteresis <sup>(4)</sup>   | $\Delta T = -40^\circ\text{C}$ to $125^\circ\text{C}$  |                        | 1.148    |                    | mV                         |      |

(1) Typicals are at  $T_J = 25^\circ\text{C}$  and represent most likely parametric norm.

(2) The overtemperature limit for Reverse Breakdown Voltage Tolerance is defined as the room temperature Reverse Breakdown Voltage Tolerance  $\pm[(\Delta V_R/\Delta T)(\text{max}\Delta T)(V_R)]$ . Where,  $\Delta V_R/\Delta T$  is the  $V_R$  temperature coefficient,  $\text{max}\Delta T$  is the maximum difference in temperature from the reference point of  $25^\circ\text{C}$  to  $T_{\text{MIN}}$  or  $T_{\text{MAX}}$ , and  $V_R$  is the reverse breakdown voltage. The total overtemperature tolerance for the different grades in the industrial temperature range where  $\text{max}\Delta T = 65^\circ\text{C}$  is shown below: A-grade:  $\pm 0.425\% = \pm 0.1\% \pm 50\ \text{ppm}/^\circ\text{C} \times 65^\circ\text{C}$  B-grade:  $\pm 0.525\% = \pm 0.2\% \pm 50\ \text{ppm}/^\circ\text{C} \times 65^\circ\text{C}$  C-grade:  $\pm 0.825\% = \pm 0.5\% \pm 50\ \text{ppm}/^\circ\text{C} \times 65^\circ\text{C}$ . Therefore, as an example, the A-grade LM4050-N-2.5 has an overtemperature Reverse Breakdown Voltage tolerance of  $\pm 2.5\text{V} \times 0.425\% = \pm 11\ \text{mV}$ .

(3) Load regulation is measured on pulse basis from no load to the specified load current. Output changes due to die temperature change must be taken into account separately.

(4) Thermal hysteresis is defined as the difference in voltage measured at  $25^\circ\text{C}$  after cycling to temperature  $-40^\circ\text{C}$  and the  $25^\circ\text{C}$  measurement after cycling to temperature  $125^\circ\text{C}$ .

## 6.8 Electrical Characteristics: 5-V Option

All other limits  $T_A = T_J = 25^\circ\text{C}$ . The grades A, B and C designate initial Reverse Breakdown Voltage tolerances of  $\pm 0.1\%$ ,  $\pm 0.2\%$  and  $0.5\%$  respectively.

| PARAMETER               |   | TEST CONDITIONS  |                        | MIN <sup>(1)</sup> | TYP <sup>(2)</sup> | MAX <sup>(1)</sup>         | UNIT          |
|-------------------------|---|--|------------------------|--------------------|--------------------|----------------------------|---------------|
| $V_R$                   | Reverse Breakdown Voltage   | $I_R = 100\ \mu\text{A}$   |                        | 5                  |                    |                            | V             |
|                         | Reverse Breakdown Voltage Tolerance <sup>(3)</sup>                            | $I_R = 100\ \mu\text{A}$   | LM4050AIM3, LM4050AEM3 |                    |                    | $\pm 5$                    | mV            |
|                         |   |  | LM4050BIM3, LM4050BEM3 |                    |                    | $\pm 10$                   |               |
|                         |   |  | LM4050CIM3, LM4050CEM3 |                    |                    | $\pm 25$                   |               |
|                         |   | Industrial Temp. Range<br>$T_A = T_J = T_{\text{MIN}}$ to $T_{\text{MAX}}$                         | LM4050AIM3, LM4050AEM3 |                    |                    | $\pm 22$                   |               |
|                         |   |  | LM4050BIM3, LM4050BEM3 |                    |                    | $\pm 27$                   |               |
|                         |   |  | LM4050CIM3, LM4050CEM3 |                    |                    | $\pm 42$                   |               |
|                         |   | Extended Temp. Range<br>$T_A = T_J = T_{\text{MIN}}$ to $T_{\text{MAX}}$                           | LM4050AIM3, LM4050AEM3 |                    |                    | $\pm 30$                   |               |
| LM4050BIM3, LM4050BEM3  |   |  | $\pm 35$               |                    |                    |                            |               |
| LM4050CIM3, LM4050CEM3  |   |  | $\pm 50$               |                    |                    |                            |               |
| $I_{R\text{MIN}}$       | Minimum Operating Current   | $T_A = T_J = 25^\circ\text{C}$   |                        | 56                 |                    | 74                         | $\mu\text{A}$ |
|                         | Industrial Temp. Range<br>$T_A = T_J = T_{\text{MIN}}$ to $T_{\text{MAX}}$    |  |                        |                    |                    | 80                         |               |
|                         |   | Extended Temp. Range<br>$T_A = T_J = T_{\text{MIN}}$ to $T_{\text{MAX}}$                           |                        |                    |                    | 90                         |               |
| $\Delta V_R/\Delta T$   | Average Reverse Breakdown Voltage Temperature Coefficient <sup>(3)</sup>      | $I_R = 10\ \text{mA}$  |                        | $\pm 30$           |                    | ppm/ $^\circ\text{C}$      |               |
|                         |   | $I_R = 1\ \text{mA}$   |                        | $\pm 20$           |                    |                            |               |
|                         |   | $I_R = 100\ \mu\text{A}, T_A = T_J = 25^\circ\text{C}$   |                        | $\pm 20$           |                    |                            |               |
|                         |   | $I_R = 100\ \mu\text{A}$<br>$T_A = T_J = T_{\text{MIN}}$ to $T_{\text{MAX}}$                       |                        |                    |                    |                            | $\pm 50$      |
| $\Delta V_R/\Delta I_R$ | Reverse Breakdown Voltage Change with Operating Current Change <sup>(4)</sup> | $I_{R\text{MIN}} \leq I_R \leq 1\ \text{mA}, T_A = T_J = 25^\circ\text{C}$                         |                        | 0.2                |                    | 1                          |               |
|                         |   | $I_{R\text{MIN}} \leq I_R \leq 1\ \text{mA}$<br>$T_A = T_J = T_{\text{MIN}}$ to $T_{\text{MAX}}$   |                        |                    |                    | 1.4                        |               |
|                         |   | $1\ \text{mA} \leq I_R \leq 15\ \text{mA}, T_A = T_J = 25^\circ\text{C}$                           |                        | 2                  |                    | 8                          |               |
|                         |   | $1\ \text{mA} \leq I_R \leq 15\ \text{mA}$<br>$T_A = T_J = T_{\text{MIN}}$ to $T_{\text{MAX}}$     |                        |                    |                    | 12                         |               |
| $Z_R$                   | Reverse Dynamic Impedance   | $I_R = 1\ \text{mA}, f = 120\ \text{Hz}$   |                        | 0.5                |                    | $\Omega$                   |               |
|                         |   | $I_{AC} = 0.1 I_R$   |                        |                    |                    |                            |               |
| $e_N$                   | Wideband Noise  | $I_R = 100\ \mu\text{A}$<br>$10\ \text{Hz} \leq f \leq 10\ \text{kHz}$                             |                        | 93                 |                    | $\mu\text{V}_{\text{rms}}$ |               |
| $\Delta V_R$            | Reverse Breakdown Voltage Long Term Stability                                 | $t = 1000\ \text{hrs}$<br>$T = 25^\circ\text{C} \pm 0.1^\circ\text{C}$<br>$I_R = 100\ \mu\text{A}$ |                        | 120                |                    | ppm                        |               |
| $V_{\text{HYST}}$       | Thermal Hysteresis <sup>(5)</sup>   | $\Delta T = -40^\circ\text{C}$ to $125^\circ\text{C}$  |                        | 1.4                |                    | mV                         |               |

- (1) Limits are 100% production tested at  $25^\circ\text{C}$ . Limits over temperature are guaranteed through correlation using Statistical Quality Control (SQC) methods. The limits are used to calculate National's AOQL.
- (2) Typicals are at  $T_J = 25^\circ\text{C}$  and represent most likely parametric norm.
- (3) The overtemperature limit for Reverse Breakdown Voltage Tolerance is defined as the room temperature Reverse Breakdown Voltage Tolerance  $\pm[(\Delta V_R/\Delta T)(\text{max}\Delta T)(V_R)]$ . Where,  $\Delta V_R/\Delta T$  is the  $V_R$  temperature coefficient,  $\text{max}\Delta T$  is the maximum difference in temperature from the reference point of  $25^\circ\text{C}$  to  $T_{\text{MIN}}$  or  $T_{\text{MAX}}$ , and  $V_R$  is the reverse breakdown voltage. The total overtemperature tolerance for the different grades in the industrial temperature range where  $\text{max}\Delta T = 65^\circ\text{C}$  is shown below: A-grade:  $\pm 0.425\% = \pm 0.1\% \pm 50\ \text{ppm}/^\circ\text{C} \times 65^\circ\text{C}$  B-grade:  $\pm 0.525\% = \pm 0.2\% \pm 50\ \text{ppm}/^\circ\text{C} \times 65^\circ\text{C}$  C-grade:  $\pm 0.825\% = \pm 0.5\% \pm 50\ \text{ppm}/^\circ\text{C} \times 65^\circ\text{C}$ . Therefore, as an example, the A-grade LM4050-N-2.5 has an overtemperature Reverse Breakdown Voltage tolerance of  $\pm 2.5\text{V} \times 0.425\% = \pm 11\ \text{mV}$ .
- (4) Load regulation is measured on pulse basis from no load to the specified load current. Output changes due to die temperature change must be taken into account separately.
- (5) Thermal hysteresis is defined as the difference in voltage measured at  $25^\circ\text{C}$  after cycling to temperature  $-40^\circ\text{C}$  and the  $25^\circ\text{C}$  measurement after cycling to temperature  $125^\circ\text{C}$ .

## 6.9 Electrical Characteristics: 8.2-V Option

All other limits  $T_A = T_J = 25^\circ\text{C}$ . The grades A, B and C designate initial Reverse Breakdown Voltage tolerances of  $\pm 0.1\%$  and  $\pm 0.2\%$  and  $0.5\%$  respectively.

| PARAMETER               |   | TEST CONDITIONS  |                        | MIN <sup>(1)</sup> | TYP <sup>(2)</sup> | MAX <sup>(1)</sup>         | UNIT     |
|-------------------------|---|--|------------------------|--------------------|--------------------|----------------------------|----------|
| $V_R$                   | Reverse Breakdown Voltage   | $I_R = 150\ \mu\text{A}$   |                        | 8.192              |                    |                            | V        |
|                         | Reverse Breakdown Voltage Tolerance <sup>(3)</sup>                            | $I_R = 150\ \mu\text{A}$   | LM4050AIM3, LM4050AEM3 |                    |                    | $\pm 8.2$                  | mV       |
|                         |   |  | LM4050BIM3, LM4050BEM3 |                    |                    | $\pm 16$                   |          |
|                         |   |  | LM4050CIM3, LM4050CEM3 |                    |                    | $\pm 41$                   |          |
|                         |   | Industrial Temp. Range<br>$T_A = T_J = T_{\text{MIN}}$ to $T_{\text{MAX}}$                         | LM4050AIM3, LM4050AEM3 |                    |                    | $\pm 35$                   |          |
|                         |   |  | LM4050BIM3, LM4050BEM3 |                    |                    | $\pm 43$                   |          |
|                         |   |  | LM4050CIM3, LM4050CEM3 |                    |                    | $\pm 68$                   |          |
|                         |   | Extended Temp. Range<br>$T_A = T_J = T_{\text{MIN}}$ to $T_{\text{MAX}}$                           | LM4050AIM3, LM4050AEM3 |                    |                    | $\pm 49$                   |          |
|                         |   |  | LM4050BIM3, LM4050BEM3 |                    |                    | $\pm 57$                   |          |
| LM4050CIM3, LM4050CEM3  |   |  | $\pm 82$               |                    |                    |                            |          |
| $I_{R\text{MIN}}$       | Minimum Operating Current   | $T_A = T_J = 25^\circ\text{C}$   |                        | 74                 | 91                 | $\mu\text{A}$              |          |
|                         |   | Industrial Temp. Range<br>$T_A = T_J = T_{\text{MIN}}$ to $T_{\text{MAX}}$                         |                        |                    |                    |                            | 95       |
|                         |   | Extended Temp. Range<br>$T_A = T_J = T_{\text{MIN}}$ to $T_{\text{MAX}}$                           |                        |                    |                    |                            | 100      |
| $\Delta V_R/\Delta T$   | Average Reverse Breakdown Voltage Temperature Coefficient <sup>(3)</sup>      | $I_R = 10\ \text{mA}$  |                        | $\pm 40$           |                    | ppm/ $^\circ\text{C}$      |          |
|                         |   | $I_R = 1\ \text{mA}$   |                        | $\pm 20$           |                    |                            |          |
|                         |   | $I_R = 150\ \mu\text{A}, T_A = T_J = 25^\circ\text{C}$   |                        | $\pm 20$           |                    |                            |          |
|                         |   | $I_R = 150\ \mu\text{A}$<br>$T_A = T_J = T_{\text{MIN}}$ to $T_{\text{MAX}}$                       |                        |                    |                    |                            | $\pm 50$ |
| $\Delta V_R/\Delta I_R$ | Reverse Breakdown Voltage Change with Operating Current Change <sup>(4)</sup> | $I_{R\text{MIN}} \leq I_R \leq 1\ \text{mA}, T_A = T_J = 25^\circ\text{C}$                         |                        | 0.6                | 1.3                | mV                         |          |
|                         |   | $I_{R\text{MIN}} \leq I_R \leq 1\ \text{mA}$<br>$T_A = T_J = T_{\text{MIN}}$ to $T_{\text{MAX}}$   |                        |                    |                    |                            | 2.5      |
|                         |   | $1\ \text{mA} \leq I_R \leq 15\ \text{mA}, T_A = T_J = 25^\circ\text{C}$                           |                        | 7                  | 10                 |                            |          |
|                         |   | $1\ \text{mA} \leq I_R \leq 15\ \text{mA}$<br>$T_A = T_J = T_{\text{MIN}}$ to $T_{\text{MAX}}$     |                        |                    |                    |                            | 18       |
| $Z_R$                   | Reverse Dynamic Impedance   | $I_R = 1\ \text{mA}, f = 120\ \text{Hz},$<br>$I_{AC} = 0.1 I_R$                                    |                        | 0.6                |                    | $\Omega$                   |          |
| $e_N$                   | Wideband Noise  | $I_R = 150\ \mu\text{A}$<br>$10\ \text{Hz} \leq f \leq 10\ \text{kHz}$                             |                        | 150                |                    | $\mu\text{V}_{\text{rms}}$ |          |
| $\Delta V_R$            | Reverse Breakdown Voltage Long Term Stability                                 | $t = 1000\ \text{hrs}$<br>$T = 25^\circ\text{C} \pm 0.1^\circ\text{C}$<br>$I_R = 150\ \mu\text{A}$ |                        | 120                |                    | ppm                        |          |
| $V_{\text{HYST}}$       | Thermal Hysteresis <sup>(5)</sup>   | $\Delta T = -40^\circ\text{C}$ to $125^\circ\text{C}$  |                        | 2.3                |                    | mV                         |          |

- (1) Limits are 100% production tested at  $25^\circ\text{C}$ . Limits over temperature are guaranteed through correlation using Statistical Quality Control (SQC) methods. The limits are used to calculate National's AOQL.
- (2) Typicals are at  $T_J = 25^\circ\text{C}$  and represent most likely parametric norm.
- (3) The overtemperature limit for Reverse Breakdown Voltage Tolerance is defined as the room temperature Reverse Breakdown Voltage Tolerance  $\pm[(\Delta V_R/\Delta T)(\text{max}\Delta T)(V_R)]$ . Where,  $\Delta V_R/\Delta T$  is the  $V_R$  temperature coefficient,  $\text{max}\Delta T$  is the maximum difference in temperature from the reference point of  $25^\circ\text{C}$  to  $T_{\text{MIN}}$  or  $T_{\text{MAX}}$ , and  $V_R$  is the reverse breakdown voltage. The total overtemperature tolerance for the different grades in the industrial temperature range where  $\text{max}\Delta T = 65^\circ\text{C}$  is shown below: A-grade:  $\pm 0.425\% = \pm 0.1\% \pm 50\ \text{ppm}/^\circ\text{C} \times 65^\circ\text{C}$  B-grade:  $\pm 0.525\% = \pm 0.2\% \pm 50\ \text{ppm}/^\circ\text{C} \times 65^\circ\text{C}$  C-grade:  $\pm 0.825\% = \pm 0.5\% \pm 50\ \text{ppm}/^\circ\text{C} \times 65^\circ\text{C}$ . Therefore, as an example, the A-grade LM4050-N-2.5 has an overtemperature Reverse Breakdown Voltage tolerance of  $\pm 2.5\text{V} \times 0.425\% = \pm 11\ \text{mV}$ .
- (4) Load regulation is measured on pulse basis from no load to the specified load current. Output changes due to die temperature change must be taken into account separately.
- (5) Thermal hysteresis is defined as the difference in voltage measured at  $25^\circ\text{C}$  after cycling to temperature  $-40^\circ\text{C}$  and the  $25^\circ\text{C}$  measurement after cycling to temperature  $125^\circ\text{C}$ .

## 6.10 Electrical Characteristics: 10-V Option

All other limits  $T_A = T_J = 25^\circ\text{C}$ . The grades A, B and C designate initial Reverse Breakdown Voltage tolerances of  $\pm 0.1\%$  and  $\pm 0.2\%$  and  $0.5\%$  respectively.

| PARAMETER               |   | TEST CONDITIONS  |                        | MIN <sup>(1)</sup> | TYP <sup>(2)</sup> | MAX <sup>(1)</sup>          | UNIT     |
|-------------------------|---|--|------------------------|--------------------|--------------------|-----------------------------|----------|
| $V_R$                   | Reverse Breakdown Voltage   | $I_R = 150\ \mu\text{A}$   |                        | 10                 |                    |                             | V        |
|                         | Reverse Breakdown Voltage Tolerance <sup>(3)</sup>                            | $I_R = 150\ \mu\text{A}$   | LM4050AIM3, LM4050AEM3 |                    |                    | $\pm 10$                    | mV (max) |
|                         |   |  | LM4050BIM3, LM4050BEM3 |                    |                    | $\pm 20$                    |          |
|                         |   |  | LM4050CIM3, LM4050CEM3 |                    |                    | $\pm 50$                    |          |
|                         |   | Industrial Temp. Range<br>$T_A = T_J = T_{\text{MIN}}$ to $T_{\text{MAX}}$                         | LM4050AIM3, LM4050AEM3 |                    |                    | $\pm 43$                    |          |
|                         |   |  | LM4050BIM3, LM4050BEM3 |                    |                    | $\pm 53$                    |          |
|                         |   |  | LM4050CIM3, LM4050CEM3 |                    |                    | $\pm 83$                    |          |
|                         | Extended Temp. Range<br>$T_A = T_J = T_{\text{MIN}}$ to $T_{\text{MAX}}$      | LM4050AIM3, LM4050AEM3   |                        |                    | $\pm 60$           |                             |          |
|                         |   | LM4050BIM3, LM4050BEM3   |                        |                    | $\pm 70$           |                             |          |
|                         |   | LM4050CIM3, LM4050CEM3   |                        |                    | $\pm 100$          |                             |          |
| $I_{R\text{MIN}}$       | Minimum Operating Current   | $T_A = T_J = 25^\circ\text{C}$   |                        | 80                 | 100                | $\mu\text{A}$               |          |
|                         |   | Industrial Temp. Range<br>$T_A = T_J = T_{\text{MIN}}$ to $T_{\text{MAX}}$                         |                        | 103                |                    |                             |          |
|                         |   | Extended Temp. Range<br>$T_A = T_J = T_{\text{MIN}}$ to $T_{\text{MAX}}$                           |                        | 110                |                    |                             |          |
| $\Delta V_R/\Delta T$   | Average Reverse Breakdown Voltage Temperature Coefficient <sup>(3)</sup>      | $I_R = 10\ \text{mA}$  |                        | $\pm 40$           |                    | $\text{ppm}/^\circ\text{C}$ |          |
|                         |   | $I_R = 1\ \text{mA}$   |                        | $\pm 20$           |                    |                             |          |
|                         |   | $I_R = 150\ \mu\text{A}, T_A = T_J = 25^\circ\text{C}$   |                        | $\pm 20$           |                    |                             |          |
|                         |   | $I_R = 150\ \mu\text{A}$<br>$T_A = T_J = T_{\text{MIN}}$ to $T_{\text{MAX}}$                       |                        | $\pm 50$           |                    |                             |          |
| $\Delta V_R/\Delta I_R$ | Reverse Breakdown Voltage Change with Operating Current Change <sup>(4)</sup> | $I_{R\text{MIN}} \leq I_R \leq 1\ \text{mA}, T_A = T_J = 25^\circ\text{C}$                         |                        | 0.8                | 1.5                | mV                          |          |
|                         |   | $I_{R\text{MIN}} \leq I_R \leq 1\ \text{mA}$<br>$T_A = T_J = T_{\text{MIN}}$ to $T_{\text{MAX}}$   |                        | 3.5                |                    |                             |          |
|                         |   | $1\ \text{mA} \leq I_R \leq 15\ \text{mA}, T_A = T_J = 25^\circ\text{C}$                           |                        | 8                  | 12                 |                             |          |
|                         |   | $1\ \text{mA} \leq I_R \leq 15\ \text{mA}$<br>$T_A = T_J = T_{\text{MIN}}$ to $T_{\text{MAX}}$     |                        | 23                 |                    |                             |          |
| $Z_R$                   | Reverse Dynamic Impedance   | $I_R = 1\ \text{mA}, f = 120\ \text{Hz}, I_{\text{AC}} = 0.1 I_R$                                  |                        | 0.7                |                    | $\Omega$                    |          |
| $e_N$                   | Wideband Noise  | $I_R = 150\ \mu\text{A}$<br>$10\ \text{Hz} \leq f \leq 10\ \text{kHz}$                             |                        | 150                |                    | $\mu\text{V}_{\text{rms}}$  |          |
| $\Delta V_R$            | Reverse Breakdown Voltage Long Term Stability                                 | $t = 1000\ \text{hrs}$<br>$T = 25^\circ\text{C} \pm 0.1^\circ\text{C}$<br>$I_R = 150\ \mu\text{A}$ |                        | 120                |                    | ppm                         |          |
| $V_{\text{HYST}}$       | Thermal Hysteresis <sup>(5)</sup>   | $\Delta T = -40^\circ\text{C}$ to $125^\circ\text{C}$  |                        | 2.8                |                    | mV                          |          |

- (1) Limits are 100% production tested at  $25^\circ\text{C}$ . Limits over temperature are guaranteed through correlation using Statistical Quality Control (SQC) methods. The limits are used to calculate National's AOQL.
- (2) Typicals are at  $T_J = 25^\circ\text{C}$  and represent most likely parametric norm.
- (3) The overtemperature limit for Reverse Breakdown Voltage Tolerance is defined as the room temperature Reverse Breakdown Voltage Tolerance  $\pm[(\Delta V_R/\Delta T)(\text{max}\Delta T)(V_R)]$ . Where,  $\Delta V_R/\Delta T$  is the  $V_R$  temperature coefficient,  $\text{max}\Delta T$  is the maximum difference in temperature from the reference point of  $25^\circ\text{C}$  to  $T_{\text{MIN}}$  or  $T_{\text{MAX}}$ , and  $V_R$  is the reverse breakdown voltage. The total overtemperature tolerance for the different grades in the industrial temperature range where  $\text{max}\Delta T = 65^\circ\text{C}$  is shown below: A-grade:  $\pm 0.425\% = \pm 0.1\% \pm 50\ \text{ppm}/^\circ\text{C} \times 65^\circ\text{C}$  B-grade:  $\pm 0.525\% = \pm 0.2\% \pm 50\ \text{ppm}/^\circ\text{C} \times 65^\circ\text{C}$  C-grade:  $\pm 0.825\% = \pm 0.5\% \pm 50\ \text{ppm}/^\circ\text{C} \times 65^\circ\text{C}$ . Therefore, as an example, the A-grade LM4050-N-2.5 has an overtemperature Reverse Breakdown Voltage tolerance of  $\pm 2.5\text{V} \times 0.425\% = \pm 11\ \text{mV}$ .
- (4) Load regulation is measured on pulse basis from no load to the specified load current. Output changes due to die temperature change must be taken into account separately.
- (5) Thermal hysteresis is defined as the difference in voltage measured at  $25^\circ\text{C}$  after cycling to temperature  $-40^\circ\text{C}$  and the  $25^\circ\text{C}$  measurement after cycling to temperature  $125^\circ\text{C}$ .

## 6.11 Typical Characteristics



Figure 1. Output Impedance vs Frequency

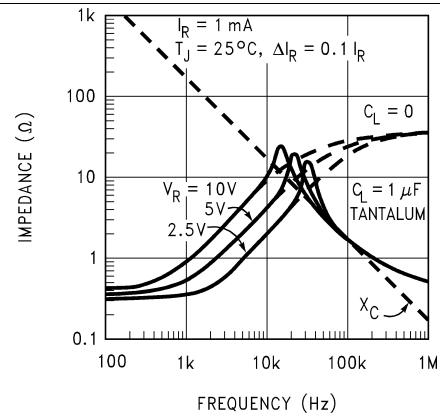


Figure 2. Output Impedance vs Frequency

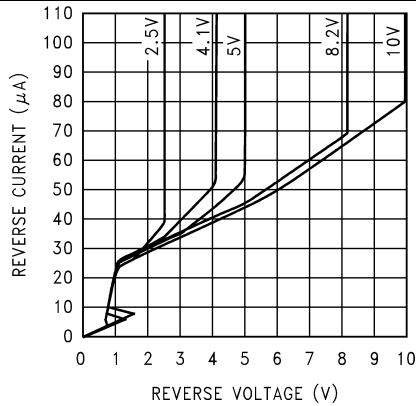


Figure 3. Reverse Characteristics and Minimum Operating Current

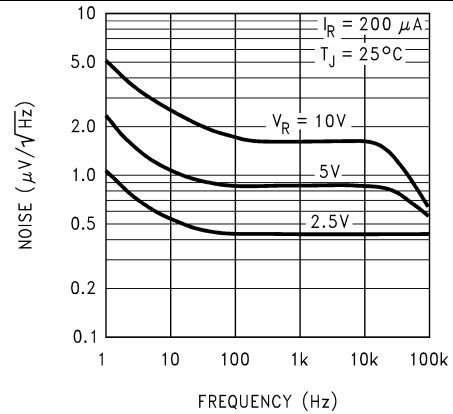


Figure 4. Noise Voltage vs Frequency

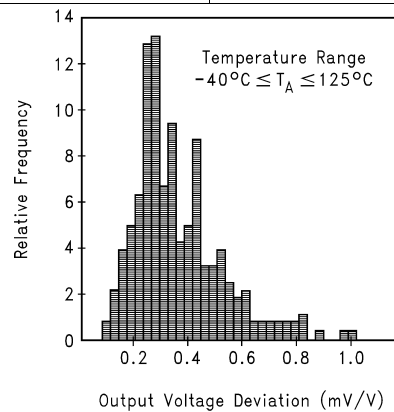


Figure 5. Thermal Hysteresis

### 6.11.1 Start-Up Characteristics



Figure 6. Input Voltage Step Response LM4050-N-2.5



Figure 7. Input Voltage Step Response LM4050-N-5

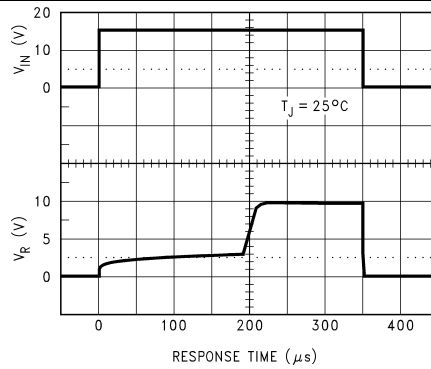


Figure 8. Input Voltage Step Response LM4050-N-10

## 7 Parameter Measurement Information

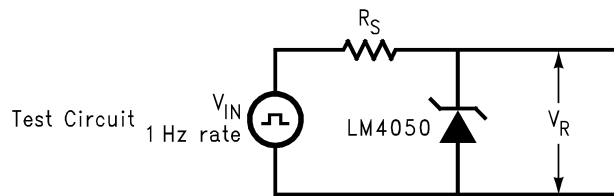


Figure 9. Test Circuit

## 8 Detailed Description

### 8.1 Overview

The LM4050-N device is a precision micropower shunt voltage reference. The part comes in 6 different fixed-output voltage options for space-constrained applications, removing the need for feedback resistors. The voltage tolerance accuracies are  $\pm 0.1\%$ ,  $\pm 0.2\%$ , and  $\pm 0.5\%$  for Versions A, B, and C, respectively. The LM4050-N comes in two application versions, Industrial and Extended temperature range, which are operational from  $-40^{\circ}\text{C}$  to  $85^{\circ}\text{C}$  and  $-40^{\circ}\text{C}$  to  $125^{\circ}\text{C}$ , respectively.

### 8.2 Functional Block Diagram



### 8.3 Feature Description

The LM4050-N behaves as a high-precision Zener diode. The voltage is regulated between its cathode and anode which is dependent on the current being supplied to the cathode. This current is needed for the LM4050-N to regulate within the specified limits. Refer to the minimum and maximum operating requirements for the specific voltage option used. The LM4050-N is internally compensated to be stable without the use of an output capacitor. However, if desired, a bypass capacitor may be used.

### 8.4 Device Functional Modes

The LM4050-N can only operate in closed loop due to the fact that the feedback resistors are internal to the device. Additionally, the output voltage cannot be adjusted for the same reason. The output voltage is regulated in a closed loop, provided the  $R_s$  (see [Functional Block Diagram](#)) resistor is sized to deliver the current to the cathode within the limits specified for the fixed-voltage version being used.

## 9 Application and Implementation

### NOTE

Information in the following applications sections is not part of the TI component specification, and TI does not warrant its accuracy or completeness. TI's customers are responsible for determining suitability of components for their purposes. Customers should validate and test their design implementation to confirm system functionality.

### 9.1 Application Information

The LM4050-N is a precision micropower curvature-corrected bandgap shunt voltage reference. For space critical applications, the LM4050-N is available in the sub-miniature SOT-23 surface-mount package. The LM4050-N has been designed for stable operation without the need of an external capacitor connected between the + pin and the – pin. If, however, a bypass capacitor is used, the LM4050-N remains stable. Reducing design effort is the availability of several fixed reverse breakdown voltages: 2.048 V, 2.5 V, 4.096 V, 5 V, 8.192 V, and 10 V. The minimum operating current increases from 60  $\mu$ A for the LM4050-N-2.0 to 100  $\mu$ A for the LM4050-N-10.0. All versions have a maximum operating current of 15 mA.

LM4050-Ns in the SOT-23 packages have a parasitic Schottky diode between pin 2 (–) and pin 3 (Die attach interface contact). Therefore, pin 3 of the SOT-23 package must be left floating or connected to pin 2.

The 4.096-V version allows single 5-V 12-bit ADCs or DACs to operate with an LSB equal to 1 mV. For 12-bit ADCs or DACs that operate on supplies of 10 V or greater, the 8.192-V version gives 2 mV per LSB.

The typical thermal hysteresis specification is defined as the change in 25°C voltage measured after thermal cycling. The device is thermal cycled to temperature –40°C and then measured at 25°C. Next the device is thermal cycled to temperature 125°C and again measured at 25°C. The resulting  $V_{OUT}$  delta shift between the 25°C measurements is thermal hysteresis. Thermal hysteresis is common in precision references and is induced by thermal-mechanical package stress. Changes in environmental storage temperature, operating temperature and board mounting temperature are all factors that can contribute to thermal hysteresis.

In a conventional shunt regulator application (Figure 10), an external series resistor ( $R_S$ ) is connected between the supply voltage and the LM4050-N.  $R_S$  determines the current that flows through the load ( $I_L$ ) and the LM4050-N ( $I_Q$ ). Since load current and supply voltage may vary,  $R_S$  should be small enough to supply at least the maximum guaranteed  $I_{RMIN}$  (spec. table) to the LM4050-N even when the supply voltage is at its minimum and the load current is at its maximum value. When the supply voltage is at its maximum and  $I_L$  is at its minimum,  $R_S$  should be large enough so that the current flowing through the LM4050-N is less than 15 mA.

$R_S$  is determined by the supply voltage, ( $V_S$ ), the load and operating current, ( $I_L$  and  $I_Q$ ), and the LM4050-N's reverse breakdown voltage,  $V_R$ .

$$R_S = \frac{V_S - V_R}{I_L + I_Q} \quad (1)$$

## 9.2 Typical Applications

### 9.2.1 Shunt Regulator

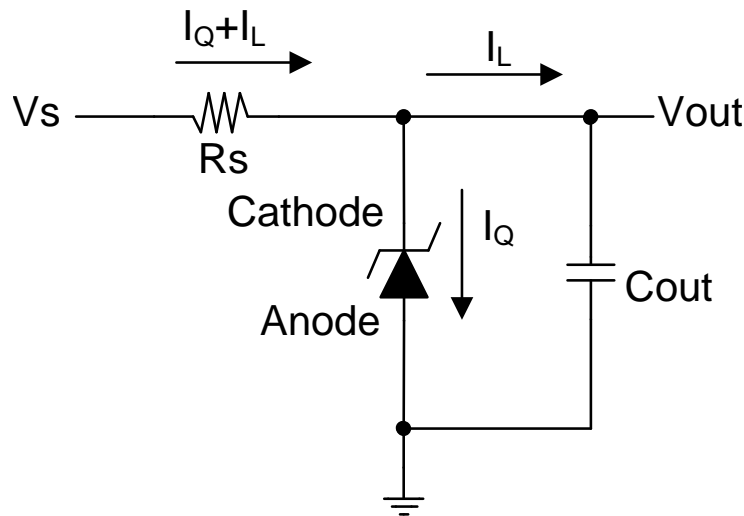


Figure 10. Shunt Regulator Schematic

#### 9.2.1.1 Design Requirements

For this design example, use the parameters listed in Table 1 as the input parameters.

Table 1. Design Parameters

| DESIGN PARAMETER        | VALUE  |
|-------------------------|--|
| Output Voltage          | 2 V, 2.5 V, 4.1 V, 5 V, 8.2 V, 10 V  |
| Minimum Cathode Current | 41 $\mu$ A, 41 $\mu$ A, 52 $\mu$ A, 56 $\mu$ A, 74 $\mu$ A, 80 $\mu$ A (Typical) (Respective to Above field) |

#### 9.2.1.2 Detailed Design Procedure

$R_S$  sets the cathode current of the shunt reference. Ensure that this current is greater than the minimum cathode current to ensure regulation and less than the maximum reverse current to prevent overheating of the shunt reference. A suggested good starting value for most designs is from approximately 0.5 mA to 1 mA.

$$I_{RMIN} < \frac{V_s - V_{out}}{R_s} < 0.015A \quad (2)$$

#### 9.2.1.3 Application Curve

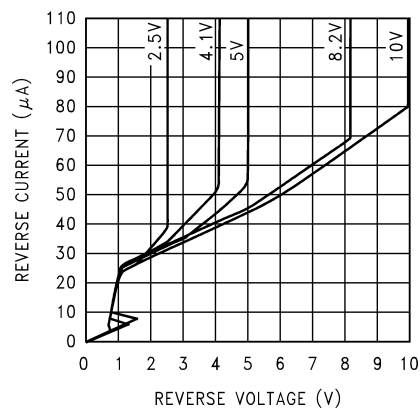


Figure 11. Reverse Characteristics and Minimum Operating Current

### 9.2.2 Precision Reference for an Analog-to-Digital Converter



\*\*Ceramic monolithic

\*Tantalum

Figure 12. LM4050-N-4.1'S Nominal 4.096 Breakdown Voltage Gives ADC12451 1 MV/LSB

#### 9.2.2.1 Design Requirements

For this design example, use the parameters listed in Table 2 as the input parameters.

Table 2. Design Parameters

| DESIGN PARAMETER | VALUE |
|------------------|-------|
| Output Voltage   | 4.1 V |

#### 9.2.2.2 Detailed Design Procedure

Set  $I_Q$  to approximately 1 mA.

$$R_s = \frac{V_s - V_{out}}{I_Q}$$

where

- $R_s = 900 \Omega$ , nearest preferred Value =  $909 \Omega$

(3)

### 9.2.3 V<sub>OUT</sub> Bounded Amplifier



Bounded amplifier reduces saturation-induced delays and can prevent succeeding stage damage. Nominal clamping voltage is  $\pm 11.5$  V (LM4050-N's reverse breakdown voltage +2 diode  $V_F$ ).

**Figure 13. Bounded Amplifier**

#### 9.2.3.1 Design Requirements

The only design requirement is  $V_{OUT}$  bounded to  $\pm 11.5$  V.

#### 9.2.3.2 Detailed Design Procedure

$$V_{\text{bound}} = 2 \times V_{\text{wd}} + V_{\text{out}} \quad (4)$$

$$V_{\text{fwd}} = 0.7 \text{ V} \quad (5)$$

$$V_{\text{bound}} = (2 \times 0.7 \text{ V}) + 10 \text{ V} \quad (6)$$

Set  $I_Q$  to approximately 0.6 mA.

$$R_s = \frac{V_s + |-V_s| - V_{\text{out}}}{I_Q} \quad (7)$$

$$R_s = \frac{30 \text{ V} - 10 \text{ V}}{0.0006 \text{ A}}$$

where

- $R_s$  (total) = 33 kΩ (select 2 × 15 kΩ) (8)

## 9.2.4 $V_{IN}$ Bounded Amplifier



The bounding voltage is  $\pm 4$  V with the LM4050-N-2.5 (LM4050-N's reverse breakdown voltage + 3 diode  $V_F$ ).

**Figure 14. Protecting Op Amp Input**

### 9.2.4.1 Design Requirements

The only design requirement is  $V_{IN}$  bounded to  $\pm 4.6$  V.

### 9.2.4.2 Detailed Design Procedure

$$V_{\text{bound}} = 3 \times V_{\text{wd}} + V_{\text{out}} \quad (9)$$

$$V_{\text{fwd}} = 0.7 \text{ V} \quad (10)$$

$$V_{\text{bound}} = (3 \times 0.7 \text{ V}) + 2.5 \text{ V} \quad (11)$$

Set  $I_Q$  to approximately 0.6 mA.

$$R_s = \frac{V_s + |-V_s| - V_{\text{out}}}{I_Q} \quad (12)$$

$$R_s = \frac{10 \text{ V} - 2.5 \text{ V}}{0.0006 \text{ A}}$$

where

- $R_s$  (total) = 12.5 k $\Omega$  (select 2  $\times$  5 k $\Omega$ ) (13)

## 9.2.5 $\pm 4.096$ Precision Reference



Figure 15. Precision  $\pm 4.096$ v Reference

### 9.2.5.1 Design Requirements

The only design requirement is a positive and negative reference generated from a positive reference,  $\pm 4.096$  V.

### 9.2.5.2 Detailed Design Procedure

Follow the design procedure set in [Precision Reference for an Analog-to-Digital Converter](#).

## 9.2.6 ±1-mA Precision Current Sources



$$I_{out} = \frac{V_{out}}{R2}$$

**Figure 16. Precision 1-µA to 1-mA Current Source (±)**

### 9.2.6.1 Design Requirements

The only design requirement is a dual ±1-mA current source.

### 9.2.6.2 Detailed Design Procedure

Set worse-case cathode current to 0.6 mA.

$$V_{out_{opampmax}} = 12 \text{ V} \tag{14}$$

$$R1 = \frac{V_{out_{opampmax}} - V_{out}}{I_Q} \tag{15}$$

$$R1 = \frac{12 \text{ V} - 2.5 \text{ V}}{0.0006 \text{ A}} \tag{16}$$

$$R1 = 1.583 \times 10^4 \ \Omega \tag{17}$$

$$I_{out} = \frac{V_{out}}{R2} \tag{18}$$

## 10 Power Supply Recommendations

Noise on the power supply input to  $R_S$  can affect output noise performance. Noise performance can be reduced by using an optional bypass capacitor at the input side of  $R_S$  and Ground. TI recommends a 0.1- $\mu$ F ceramic capacitor or higher.

## 11 Layout

### 11.1 Layout Guidelines

Place  $R_S$  as close to the cathode as possible. If an input and output capacitor is used, place this as close to the reference as possible.

### 11.2 Layout Example

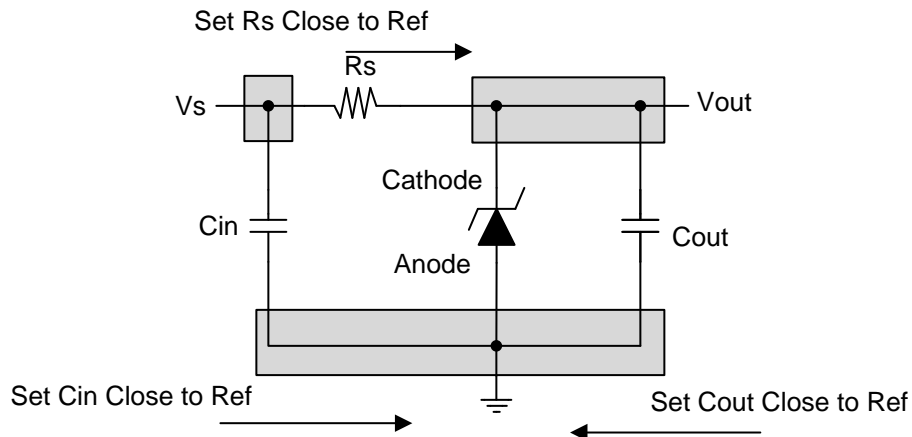


Figure 17. Layout Recommendation

## 12 Device and Documentation Support

### 12.1 Related Links

The table below lists quick access links. Categories include technical documents, support and community resources, tools and software, and quick access to sample or buy.

**Table 3. Related Links**

| PARTS       | PRODUCT FOLDER             | SAMPLE & BUY               | TECHNICAL DOCUMENTS        | TOOLS & SOFTWARE           | SUPPORT & COMMUNITY        |
|-------------|----------------------------|----------------------------|----------------------------|----------------------------|----------------------------|
| LM4050-N    | <a href="#">Click here</a> | <a href="#">Click here</a> | <a href="#">Click here</a> | <a href="#">Click here</a> | <a href="#">Click here</a> |
| LM4050-N-Q1 | <a href="#">Click here</a> | <a href="#">Click here</a> | <a href="#">Click here</a> | <a href="#">Click here</a> | <a href="#">Click here</a> |

### 12.2 Community Resources

The following links connect to TI community resources. Linked contents are provided "AS IS" by the respective contributors. They do not constitute TI specifications and do not necessarily reflect TI's views; see TI's [Terms of Use](#).

**TI E2E™ Online Community** *TI's Engineer-to-Engineer (E2E) Community*. Created to foster collaboration among engineers. At [e2e.ti.com](http://e2e.ti.com), you can ask questions, share knowledge, explore ideas and help solve problems with fellow engineers.

**Design Support** *TI's Design Support* Quickly find helpful E2E forums along with design support tools and contact information for technical support.

### 12.3 Trademarks

E2E is a trademark of Texas Instruments.  
All other trademarks are the property of their respective owners.

### 12.4 Electrostatic Discharge Caution



These devices have limited built-in ESD protection. The leads should be shorted together or the device placed in conductive foam during storage or handling to prevent electrostatic damage to the MOS gates.

### 12.5 Glossary

**SLYZ022** — *TI Glossary*.

This glossary lists and explains terms, acronyms, and definitions.

## 13 Mechanical, Packaging, and Orderable Information

The following pages include mechanical, packaging, and orderable information. This information is the most current data available for the designated devices. This data is subject to change without notice and revision of this document. For browser-based versions of this data sheet, refer to the left-hand navigation.

**PACKAGING INFORMATION**

| Orderable Device     | Status<br>(1) | Package Type | Package Drawing | Pins | Package Qty | Eco Plan<br>(2)         | Lead/Ball Finish<br>(6) | MSL Peak Temp<br>(3) | Op Temp (°C) | Device Marking<br>(4/5) | Samples                 |
|----------------------|---------------|--------------|-----------------|------|-------------|-------------------------|-------------------------|----------------------|--------------|-------------------------|-------------------------|
| LM4050AEM3-10/NOPB   | ACTIVE        | SOT-23       | DBZ             | 3    | 1000        | Green (RoHS & no Sb/Br) | CU SN                   | Level-1-260C-UNLIM   | -40 to 125   | RGA                     | <a href="#">Samples</a> |
| LM4050AEM3-2.0/NOPB  | ACTIVE        | SOT-23       | DBZ             | 3    | 1000        | Green (RoHS & no Sb/Br) | CU SN                   | Level-1-260C-UNLIM   | -40 to 125   | RNA                     | <a href="#">Samples</a> |
| LM4050AEM3-2.5       | NRND          | SOT-23       | DBZ             | 3    | 1000        | TBD                     | Call TI                 | Call TI              | -40 to 125   | RCA                     |                         |
| LM4050AEM3-2.5/NOPB  | ACTIVE        | SOT-23       | DBZ             | 3    | 1000        | Green (RoHS & no Sb/Br) | CU SN                   | Level-1-260C-UNLIM   | -40 to 125   | RCA                     | <a href="#">Samples</a> |
| LM4050AEM3-5.0       | NRND          | SOT-23       | DBZ             | 3    | 1000        | TBD                     | Call TI                 | Call TI              | -40 to 125   | REA                     |                         |
| LM4050AEM3-5.0/NOPB  | ACTIVE        | SOT-23       | DBZ             | 3    | 1000        | Green (RoHS & no Sb/Br) | CU SN                   | Level-1-260C-UNLIM   | -40 to 125   | REA                     | <a href="#">Samples</a> |
| LM4050AEM3-8.2/NOPB  | ACTIVE        | SOT-23       | DBZ             | 3    | 1000        | Green (RoHS & no Sb/Br) | CU SN                   | Level-1-260C-UNLIM   | -40 to 125   | RFA                     | <a href="#">Samples</a> |
| LM4050AEM3X-10/NOPB  | ACTIVE        | SOT-23       | DBZ             | 3    | 3000        | Green (RoHS & no Sb/Br) | CU SN                   | Level-1-260C-UNLIM   | -40 to 125   | RGA                     | <a href="#">Samples</a> |
| LM4050AEM3X-2.5/NOPB | ACTIVE        | SOT-23       | DBZ             | 3    | 3000        | Green (RoHS & no Sb/Br) | CU SN                   | Level-1-260C-UNLIM   | -40 to 125   | RCA                     | <a href="#">Samples</a> |
| LM4050AEM3X-5.0/NOPB | ACTIVE        | SOT-23       | DBZ             | 3    | 3000        | Green (RoHS & no Sb/Br) | CU SN                   | Level-1-260C-UNLIM   | -40 to 125   | REA                     | <a href="#">Samples</a> |
| LM4050AIM3-10/NOPB   | ACTIVE        | SOT-23       | DBZ             | 3    | 1000        | Green (RoHS & no Sb/Br) | CU SN                   | Level-1-260C-UNLIM   | -40 to 85    | RGA                     | <a href="#">Samples</a> |
| LM4050AIM3-2.5       | NRND          | SOT-23       | DBZ             | 3    | 1000        | TBD                     | Call TI                 | Call TI              | -40 to 85    | RCA                     |                         |
| LM4050AIM3-2.5/NOPB  | ACTIVE        | SOT-23       | DBZ             | 3    | 1000        | Green (RoHS & no Sb/Br) | CU SN                   | Level-1-260C-UNLIM   | -40 to 85    | RCA                     | <a href="#">Samples</a> |
| LM4050AIM3-4.1       | NRND          | SOT-23       | DBZ             | 3    | 1000        | TBD                     | Call TI                 | Call TI              | -40 to 85    | RDA                     |                         |
| LM4050AIM3-4.1/NOPB  | ACTIVE        | SOT-23       | DBZ             | 3    | 1000        | Green (RoHS & no Sb/Br) | CU SN                   | Level-1-260C-UNLIM   | -40 to 85    | RDA                     | <a href="#">Samples</a> |
| LM4050AIM3-5.0       | NRND          | SOT-23       | DBZ             | 3    | 1000        | TBD                     | Call TI                 | Call TI              | -40 to 85    | REA                     |                         |
| LM4050AIM3-5.0/NOPB  | ACTIVE        | SOT-23       | DBZ             | 3    | 1000        | Green (RoHS & no Sb/Br) | CU SN                   | Level-1-260C-UNLIM   | -40 to 85    | REA                     | <a href="#">Samples</a> |
| LM4050AIM3X-2.5/NOPB | ACTIVE        | SOT-23       | DBZ             | 3    | 3000        | Green (RoHS & no Sb/Br) | CU SN                   | Level-1-260C-UNLIM   | -40 to 85    | RCA                     | <a href="#">Samples</a> |
| LM4050AIM3X-4.1/NOPB | ACTIVE        | SOT-23       | DBZ             | 3    | 3000        | Green (RoHS & no Sb/Br) | CU SN                   | Level-1-260C-UNLIM   | -40 to 85    | RDA                     | <a href="#">Samples</a> |

| Orderable Device     | Status<br>(1) | Package Type | Package Drawing | Pins | Package Qty | Eco Plan<br>(2)         | Lead/Ball Finish<br>(6) | MSL Peak Temp<br>(3) | Op Temp (°C) | Device Marking<br>(4/5) | Samples                 |
|----------------------|---------------|--------------|-----------------|------|-------------|-------------------------|-------------------------|----------------------|--------------|-------------------------|-------------------------|
| LM4050AIM3X-5.0/NOPB | ACTIVE        | SOT-23       | DBZ             | 3    | 3000        | Green (RoHS & no Sb/Br) | CU SN                   | Level-1-260C-UNLIM   | -40 to 85    | REA                     | <a href="#">Samples</a> |
| LM4050BEM3-10/NOPB   | ACTIVE        | SOT-23       | DBZ             | 3    | 1000        | Green (RoHS & no Sb/Br) | CU SN                   | Level-1-260C-UNLIM   | -40 to 125   | RGB                     | <a href="#">Samples</a> |
| LM4050BEM3-2.5       | NRND          | SOT-23       | DBZ             | 3    | 1000        | TBD                     | Call TI                 | Call TI              | -40 to 125   | RCB                     |                         |
| LM4050BEM3-2.5/NOPB  | ACTIVE        | SOT-23       | DBZ             | 3    | 1000        | Green (RoHS & no Sb/Br) | CU SN                   | Level-1-260C-UNLIM   | -40 to 125   | RCB                     | <a href="#">Samples</a> |
| LM4050BEM3-4.1/NOPB  | ACTIVE        | SOT-23       | DBZ             | 3    | 1000        | Green (RoHS & no Sb/Br) | CU SN                   | Level-1-260C-UNLIM   | -40 to 125   | RDB                     | <a href="#">Samples</a> |
| LM4050BEM3-5.0       | NRND          | SOT-23       | DBZ             | 3    | 1000        | TBD                     | Call TI                 | Call TI              | -40 to 125   | REB                     |                         |
| LM4050BEM3-5.0/NOPB  | ACTIVE        | SOT-23       | DBZ             | 3    | 1000        | Green (RoHS & no Sb/Br) | CU SN                   | Level-1-260C-UNLIM   | -40 to 125   | REB                     | <a href="#">Samples</a> |
| LM4050BEM3-8.2/NOPB  | ACTIVE        | SOT-23       | DBZ             | 3    | 1000        | Green (RoHS & no Sb/Br) | CU SN                   | Level-1-260C-UNLIM   | -40 to 125   | RFB                     | <a href="#">Samples</a> |
| LM4050BEM3X-10/NOPB  | ACTIVE        | SOT-23       | DBZ             | 3    | 3000        | Green (RoHS & no Sb/Br) | CU SN                   | Level-1-260C-UNLIM   | -40 to 125   | RGB                     | <a href="#">Samples</a> |
| LM4050BEM3X-2.5/NOPB | ACTIVE        | SOT-23       | DBZ             | 3    | 3000        | Green (RoHS & no Sb/Br) | CU SN                   | Level-1-260C-UNLIM   | -40 to 125   | RCB                     | <a href="#">Samples</a> |
| LM4050BEM3X-5.0/NOPB | ACTIVE        | SOT-23       | DBZ             | 3    | 3000        | Green (RoHS & no Sb/Br) | CU SN                   | Level-1-260C-UNLIM   | -40 to 125   | REB                     | <a href="#">Samples</a> |
| LM4050BIM3-10/NOPB   | ACTIVE        | SOT-23       | DBZ             | 3    | 1000        | Green (RoHS & no Sb/Br) | CU SN                   | Level-1-260C-UNLIM   | -40 to 85    | RGB                     | <a href="#">Samples</a> |
| LM4050BIM3-2.5       | NRND          | SOT-23       | DBZ             | 3    | 1000        | TBD                     | Call TI                 | Call TI              | -40 to 85    | RCB                     |                         |
| LM4050BIM3-2.5/NOPB  | ACTIVE        | SOT-23       | DBZ             | 3    | 1000        | Green (RoHS & no Sb/Br) | CU SN                   | Level-1-260C-UNLIM   | -40 to 85    | RCB                     | <a href="#">Samples</a> |
| LM4050BIM3-4.1/NOPB  | ACTIVE        | SOT-23       | DBZ             | 3    | 1000        | Green (RoHS & no Sb/Br) | CU SN                   | Level-1-260C-UNLIM   | -40 to 85    | RDB                     | <a href="#">Samples</a> |
| LM4050BIM3-5.0       | NRND          | SOT-23       | DBZ             | 3    | 1000        | TBD                     | Call TI                 | Call TI              | -40 to 85    | REB                     |                         |
| LM4050BIM3-5.0/NOPB  | ACTIVE        | SOT-23       | DBZ             | 3    | 1000        | Green (RoHS & no Sb/Br) | CU SN                   | Level-1-260C-UNLIM   | -40 to 85    | REB                     | <a href="#">Samples</a> |
| LM4050BIM3X-2.0/NOPB | ACTIVE        | SOT-23       | DBZ             | 3    | 3000        | Green (RoHS & no Sb/Br) | CU SN                   | Level-1-260C-UNLIM   | -40 to 85    | RNB                     | <a href="#">Samples</a> |
| LM4050BIM3X-2.5/NOPB | ACTIVE        | SOT-23       | DBZ             | 3    | 3000        | Green (RoHS & no Sb/Br) | CU SN                   | Level-1-260C-UNLIM   | -40 to 85    | RCB                     | <a href="#">Samples</a> |
| LM4050BIM3X-4.1/NOPB | ACTIVE        | SOT-23       | DBZ             | 3    | 3000        | Green (RoHS & no Sb/Br) | CU SN                   | Level-1-260C-UNLIM   | -40 to 85    | RDB                     | <a href="#">Samples</a> |

| Orderable Device     | Status<br>(1) | Package Type | Package Drawing | Pins | Package Qty | Eco Plan<br>(2)         | Lead/Ball Finish<br>(6) | MSL Peak Temp<br>(3) | Op Temp (°C) | Device Marking<br>(4/5) | Samples                 |
|----------------------|---------------|--------------|-----------------|------|-------------|-------------------------|-------------------------|----------------------|--------------|-------------------------|-------------------------|
| LM4050BIM3X-5.0/NOPB | ACTIVE        | SOT-23       | DBZ             | 3    | 3000        | Green (RoHS & no Sb/Br) | CU SN                   | Level-1-260C-UNLIM   | -40 to 85    | REB                     | <a href="#">Samples</a> |
| LM4050CEM3-10/NOPB   | ACTIVE        | SOT-23       | DBZ             | 3    | 1000        | Green (RoHS & no Sb/Br) | CU SN                   | Level-1-260C-UNLIM   |              | RGC                     | <a href="#">Samples</a> |
| LM4050CEM3-2.5       | NRND          | SOT-23       | DBZ             | 3    | 1000        | TBD                     | Call TI                 | Call TI              | -40 to 125   | RCC                     |                         |
| LM4050CEM3-2.5/NOPB  | ACTIVE        | SOT-23       | DBZ             | 3    | 1000        | Green (RoHS & no Sb/Br) | CU SN                   | Level-1-260C-UNLIM   | -40 to 125   | RCC                     | <a href="#">Samples</a> |
| LM4050CEM3-5.0       | NRND          | SOT-23       | DBZ             | 3    | 1000        | TBD                     | Call TI                 | Call TI              |              | REC                     |                         |
| LM4050CEM3-5.0/NOPB  | ACTIVE        | SOT-23       | DBZ             | 3    | 1000        | Green (RoHS & no Sb/Br) | CU SN                   | Level-1-260C-UNLIM   |              | REC                     | <a href="#">Samples</a> |
| LM4050CEM3X-2.5/NOPB | ACTIVE        | SOT-23       | DBZ             | 3    | 3000        | Green (RoHS & no Sb/Br) | CU SN                   | Level-1-260C-UNLIM   | -40 to 125   | RCC                     | <a href="#">Samples</a> |
| LM4050CEM3X-5.0/NOPB | ACTIVE        | SOT-23       | DBZ             | 3    | 3000        | Green (RoHS & no Sb/Br) | CU SN                   | Level-1-260C-UNLIM   |              | REC                     | <a href="#">Samples</a> |
| LM4050CIM3-10/NOPB   | ACTIVE        | SOT-23       | DBZ             | 3    | 1000        | Green (RoHS & no Sb/Br) | CU SN                   | Level-1-260C-UNLIM   | -40 to 85    | RGC                     | <a href="#">Samples</a> |
| LM4050CIM3-2.5/NOPB  | ACTIVE        | SOT-23       | DBZ             | 3    | 1000        | Green (RoHS & no Sb/Br) | CU SN                   | Level-1-260C-UNLIM   | -40 to 85    | RCC                     | <a href="#">Samples</a> |
| LM4050CIM3-4.1/NOPB  | ACTIVE        | SOT-23       | DBZ             | 3    | 1000        | Green (RoHS & no Sb/Br) | CU SN                   | Level-1-260C-UNLIM   | -40 to 85    | RDC                     | <a href="#">Samples</a> |
| LM4050CIM3-5.0       | NRND          | SOT-23       | DBZ             | 3    | 1000        | TBD                     | Call TI                 | Call TI              | -40 to 85    | REC                     |                         |
| LM4050CIM3-5.0/NOPB  | ACTIVE        | SOT-23       | DBZ             | 3    | 1000        | Green (RoHS & no Sb/Br) | CU SN                   | Level-1-260C-UNLIM   | -40 to 85    | REC                     | <a href="#">Samples</a> |
| LM4050CIM3X-2.0/NOPB | ACTIVE        | SOT-23       | DBZ             | 3    | 3000        | Green (RoHS & no Sb/Br) | CU SN                   | Level-1-260C-UNLIM   | -40 to 85    | RNC                     | <a href="#">Samples</a> |
| LM4050CIM3X-2.5/NOPB | ACTIVE        | SOT-23       | DBZ             | 3    | 3000        | Green (RoHS & no Sb/Br) | CU SN                   | Level-1-260C-UNLIM   | -40 to 85    | RCC                     | <a href="#">Samples</a> |
| LM4050CIM3X-4.1/NOPB | ACTIVE        | SOT-23       | DBZ             | 3    | 3000        | Green (RoHS & no Sb/Br) | CU SN                   | Level-1-260C-UNLIM   | -40 to 85    | RDC                     | <a href="#">Samples</a> |
| LM4050CIM3X-5.0/NOPB | ACTIVE        | SOT-23       | DBZ             | 3    | 3000        | Green (RoHS & no Sb/Br) | CU SN                   | Level-1-260C-UNLIM   | -40 to 85    | REC                     | <a href="#">Samples</a> |
| LM4050QAEM3-10/NOPB  | ACTIVE        | SOT-23       | DBZ             | 3    | 1000        | Green (RoHS & no Sb/Br) | CU SN                   | Level-1-260C-UNLIM   | -40 to 125   | RYA                     | <a href="#">Samples</a> |
| LM4050QAEM3-2.0/NOPB | ACTIVE        | SOT-23       | DBZ             | 3    | 1000        | Green (RoHS & no Sb/Br) | CU SN                   | Level-1-260C-UNLIM   | -40 to 125   | RSA                     | <a href="#">Samples</a> |

| Orderable Device     | Status<br>(1) | Package Type | Package Drawing | Pins | Package Qty | Eco Plan<br>(2)         | Lead/Ball Finish<br>(6) | MSL Peak Temp<br>(3) | Op Temp (°C) | Device Marking<br>(4/5) | Samples                 |
|----------------------|---------------|--------------|-----------------|------|-------------|-------------------------|-------------------------|----------------------|--------------|-------------------------|-------------------------|
| LM4050QAEM3-2.5/NOPB | ACTIVE        | SOT-23       | DBZ             | 3    | 1000        | Green (RoHS & no Sb/Br) | CU SN                   | Level-1-260C-UNLIM   | -40 to 125   | RTA                     | <a href="#">Samples</a> |
| LM4050QAEM3-4.1/NOPB | ACTIVE        | SOT-23       | DBZ             | 3    | 1000        | Green (RoHS & no Sb/Br) | CU SN                   | Level-1-260C-UNLIM   | -40 to 125   | RUA                     | <a href="#">Samples</a> |
| LM4050QAEM3-5.0/NOPB | ACTIVE        | SOT-23       | DBZ             | 3    | 1000        | Green (RoHS & no Sb/Br) | CU SN                   | Level-1-260C-UNLIM   | -40 to 125   | RVA                     | <a href="#">Samples</a> |
| LM4050QAEM3-8.2/NOPB | ACTIVE        | SOT-23       | DBZ             | 3    | 1000        | Green (RoHS & no Sb/Br) | CU SN                   | Level-1-260C-UNLIM   | -40 to 125   | RXA                     | <a href="#">Samples</a> |
| LM4050QAEM3X10/NOPB  | ACTIVE        | SOT-23       | DBZ             | 3    | 3000        | Green (RoHS & no Sb/Br) | CU SN                   | Level-1-260C-UNLIM   | -40 to 125   | RYA                     | <a href="#">Samples</a> |
| LM4050QAEM3X2.0/NOPB | ACTIVE        | SOT-23       | DBZ             | 3    | 3000        | Green (RoHS & no Sb/Br) | CU SN                   | Level-1-260C-UNLIM   | -40 to 125   | RSA                     | <a href="#">Samples</a> |
| LM4050QAEM3X2.5/NOPB | ACTIVE        | SOT-23       | DBZ             | 3    | 3000        | Green (RoHS & no Sb/Br) | CU SN                   | Level-1-260C-UNLIM   | -40 to 125   | RTA                     | <a href="#">Samples</a> |
| LM4050QAEM3X4.1/NOPB | ACTIVE        | SOT-23       | DBZ             | 3    | 3000        | Green (RoHS & no Sb/Br) | CU SN                   | Level-1-260C-UNLIM   | -40 to 125   | RUA                     | <a href="#">Samples</a> |
| LM4050QAEM3X5.0/NOPB | ACTIVE        | SOT-23       | DBZ             | 3    | 3000        | Green (RoHS & no Sb/Br) | CU SN                   | Level-1-260C-UNLIM   | -40 to 125   | RVA                     | <a href="#">Samples</a> |
| LM4050QAEM3X8.2/NOPB | ACTIVE        | SOT-23       | DBZ             | 3    | 3000        | Green (RoHS & no Sb/Br) | CU SN                   | Level-1-260C-UNLIM   | -40 to 125   | RXA                     | <a href="#">Samples</a> |
| LM4050QAIM3-10/NOPB  | ACTIVE        | SOT-23       | DBZ             | 3    | 1000        | Green (RoHS & no Sb/Br) | CU SN                   | Level-1-260C-UNLIM   | -40 to 85    | RYA                     | <a href="#">Samples</a> |
| LM4050QAIM3-2.0/NOPB | ACTIVE        | SOT-23       | DBZ             | 3    | 1000        | Green (RoHS & no Sb/Br) | CU SN                   | Level-1-260C-UNLIM   | -40 to 85    | RSA                     | <a href="#">Samples</a> |
| LM4050QAIM3-2.5/NOPB | ACTIVE        | SOT-23       | DBZ             | 3    | 1000        | Green (RoHS & no Sb/Br) | CU SN                   | Level-1-260C-UNLIM   | -40 to 85    | RTA                     | <a href="#">Samples</a> |
| LM4050QAIM3-4.1/NOPB | ACTIVE        | SOT-23       | DBZ             | 3    | 1000        | Green (RoHS & no Sb/Br) | CU SN                   | Level-1-260C-UNLIM   | -40 to 85    | RUA                     | <a href="#">Samples</a> |
| LM4050QAIM3-8.2/NOPB | ACTIVE        | SOT-23       | DBZ             | 3    | 1000        | Green (RoHS & no Sb/Br) | CU SN                   | Level-1-260C-UNLIM   | -40 to 85    | RXA                     | <a href="#">Samples</a> |
| LM4050QAIM3X4.1/NOPB | ACTIVE        | SOT-23       | DBZ             | 3    | 3000        | Green (RoHS & no Sb/Br) | CU SN                   | Level-1-260C-UNLIM   | -40 to 85    | RUA                     | <a href="#">Samples</a> |
| LM4050QBEM3-10/NOPB  | ACTIVE        | SOT-23       | DBZ             | 3    | 1000        | Green (RoHS & no Sb/Br) | CU SN                   | Level-1-260C-UNLIM   | -40 to 125   | RYB                     | <a href="#">Samples</a> |
| LM4050QBEM3-2.0/NOPB | ACTIVE        | SOT-23       | DBZ             | 3    | 1000        | Green (RoHS & no Sb/Br) | CU SN                   | Level-1-260C-UNLIM   | -40 to 125   | RSB                     | <a href="#">Samples</a> |

| Orderable Device     | Status<br>(1) | Package Type | Package Drawing | Pins | Package Qty | Eco Plan<br>(2)         | Lead/Ball Finish<br>(6) | MSL Peak Temp<br>(3) | Op Temp (°C) | Device Marking<br>(4/5) | Samples                 |
|----------------------|---------------|--------------|-----------------|------|-------------|-------------------------|-------------------------|----------------------|--------------|-------------------------|-------------------------|
| LM4050QBEM3-2.5/NOPB | ACTIVE        | SOT-23       | DBZ             | 3    | 1000        | Green (RoHS & no Sb/Br) | CU SN                   | Level-1-260C-UNLIM   | -40 to 125   | RTB                     | <a href="#">Samples</a> |
| LM4050QBEM3-4.1/NOPB | ACTIVE        | SOT-23       | DBZ             | 3    | 1000        | Green (RoHS & no Sb/Br) | CU SN                   | Level-1-260C-UNLIM   | -40 to 125   | RUB                     | <a href="#">Samples</a> |
| LM4050QBEM3-5.0/NOPB | ACTIVE        | SOT-23       | DBZ             | 3    | 1000        | Green (RoHS & no Sb/Br) | CU SN                   | Level-1-260C-UNLIM   | -40 to 125   | RVB                     | <a href="#">Samples</a> |
| LM4050QBEM3-8.2/NOPB | ACTIVE        | SOT-23       | DBZ             | 3    | 1000        | Green (RoHS & no Sb/Br) | CU SN                   | Level-1-260C-UNLIM   | -40 to 125   | RXB                     | <a href="#">Samples</a> |
| LM4050QBEM3X10/NOPB  | ACTIVE        | SOT-23       | DBZ             | 3    | 3000        | Green (RoHS & no Sb/Br) | CU SN                   | Level-1-260C-UNLIM   | -40 to 125   | RYB                     | <a href="#">Samples</a> |
| LM4050QBEM3X2.0/NOPB | ACTIVE        | SOT-23       | DBZ             | 3    | 3000        | Green (RoHS & no Sb/Br) | CU SN                   | Level-1-260C-UNLIM   | -40 to 125   | RSB                     | <a href="#">Samples</a> |
| LM4050QBEM3X2.5/NOPB | ACTIVE        | SOT-23       | DBZ             | 3    | 3000        | Green (RoHS & no Sb/Br) | CU SN                   | Level-1-260C-UNLIM   | -40 to 125   | RTB                     | <a href="#">Samples</a> |
| LM4050QBEM3X4.1/NOPB | ACTIVE        | SOT-23       | DBZ             | 3    | 3000        | Green (RoHS & no Sb/Br) | CU SN                   | Level-1-260C-UNLIM   | -40 to 125   | RUB                     | <a href="#">Samples</a> |
| LM4050QBEM3X5.0/NOPB | ACTIVE        | SOT-23       | DBZ             | 3    | 3000        | Green (RoHS & no Sb/Br) | CU SN                   | Level-1-260C-UNLIM   | -40 to 125   | RVB                     | <a href="#">Samples</a> |
| LM4050QBEM3X8.2/NOPB | ACTIVE        | SOT-23       | DBZ             | 3    | 3000        | Green (RoHS & no Sb/Br) | CU SN                   | Level-1-260C-UNLIM   | -40 to 125   | RXB                     | <a href="#">Samples</a> |
| LM4050QBIM3-10/NOPB  | ACTIVE        | SOT-23       | DBZ             | 3    | 1000        | Green (RoHS & no Sb/Br) | CU SN                   | Level-1-260C-UNLIM   | -40 to 85    | RYB                     | <a href="#">Samples</a> |
| LM4050QBIM3-2.0/NOPB | ACTIVE        | SOT-23       | DBZ             | 3    | 1000        | Green (RoHS & no Sb/Br) | CU SN                   | Level-1-260C-UNLIM   | -40 to 85    | RSB                     | <a href="#">Samples</a> |
| LM4050QBIM3-2.5/NOPB | ACTIVE        | SOT-23       | DBZ             | 3    | 1000        | Green (RoHS & no Sb/Br) | CU SN                   | Level-1-260C-UNLIM   | -40 to 85    | RTB                     | <a href="#">Samples</a> |
| LM4050QBIM3-4.1/NOPB | ACTIVE        | SOT-23       | DBZ             | 3    | 1000        | Green (RoHS & no Sb/Br) | CU SN                   | Level-1-260C-UNLIM   | -40 to 85    | RUB                     | <a href="#">Samples</a> |
| LM4050QBIM3-5.0/NOPB | ACTIVE        | SOT-23       | DBZ             | 3    | 1000        | Green (RoHS & no Sb/Br) | CU SN                   | Level-1-260C-UNLIM   | -40 to 85    | RVB                     | <a href="#">Samples</a> |
| LM4050QBIM3-8.2/NOPB | ACTIVE        | SOT-23       | DBZ             | 3    | 1000        | Green (RoHS & no Sb/Br) | CU SN                   | Level-1-260C-UNLIM   | -40 to 85    | RXB                     | <a href="#">Samples</a> |
| LM4050QCEM3-10/NOPB  | ACTIVE        | SOT-23       | DBZ             | 3    | 1000        | Green (RoHS & no Sb/Br) | CU SN                   | Level-1-260C-UNLIM   | -40 to 125   | RYC                     | <a href="#">Samples</a> |
| LM4050QCEM3-2.0/NOPB | ACTIVE        | SOT-23       | DBZ             | 3    | 1000        | Green (RoHS & no Sb/Br) | CU SN                   | Level-1-260C-UNLIM   | -40 to 125   | RSC                     | <a href="#">Samples</a> |

| Orderable Device     | Status<br>(1) | Package Type | Package Drawing | Pins | Package Qty | Eco Plan<br>(2)         | Lead/Ball Finish<br>(6) | MSL Peak Temp<br>(3) | Op Temp (°C) | Device Marking<br>(4/5) | Samples                 |
|----------------------|---------------|--------------|-----------------|------|-------------|-------------------------|-------------------------|----------------------|--------------|-------------------------|-------------------------|
| LM4050QCEM3-2.5/NOPB | ACTIVE        | SOT-23       | DBZ             | 3    | 1000        | Green (RoHS & no Sb/Br) | CU SN                   | Level-1-260C-UNLIM   | -40 to 125   | RTC                     | <a href="#">Samples</a> |
| LM4050QCEM3-4.1/NOPB | ACTIVE        | SOT-23       | DBZ             | 3    | 1000        | Green (RoHS & no Sb/Br) | CU SN                   | Level-1-260C-UNLIM   | -40 to 125   | RUC                     | <a href="#">Samples</a> |
| LM4050QCEM3-5.0/NOPB | ACTIVE        | SOT-23       | DBZ             | 3    | 1000        | Green (RoHS & no Sb/Br) | CU SN                   | Level-1-260C-UNLIM   | -40 to 125   | RVC                     | <a href="#">Samples</a> |
| LM4050QCEM3-8.2/NOPB | ACTIVE        | SOT-23       | DBZ             | 3    | 1000        | Green (RoHS & no Sb/Br) | CU SN                   | Level-1-260C-UNLIM   | -40 to 125   | RXC                     | <a href="#">Samples</a> |
| LM4050QCEM3X10/NOPB  | ACTIVE        | SOT-23       | DBZ             | 3    | 3000        | Green (RoHS & no Sb/Br) | CU SN                   | Level-1-260C-UNLIM   | -40 to 125   | RYC                     | <a href="#">Samples</a> |
| LM4050QCEM3X2.0/NOPB | ACTIVE        | SOT-23       | DBZ             | 3    | 3000        | Green (RoHS & no Sb/Br) | CU SN                   | Level-1-260C-UNLIM   | -40 to 125   | RSC                     | <a href="#">Samples</a> |
| LM4050QCEM3X2.5/NOPB | ACTIVE        | SOT-23       | DBZ             | 3    | 3000        | Green (RoHS & no Sb/Br) | CU SN                   | Level-1-260C-UNLIM   | -40 to 125   | RTC                     | <a href="#">Samples</a> |
| LM4050QCEM3X4.1/NOPB | ACTIVE        | SOT-23       | DBZ             | 3    | 3000        | Green (RoHS & no Sb/Br) | CU SN                   | Level-1-260C-UNLIM   | -40 to 125   | RUC                     | <a href="#">Samples</a> |
| LM4050QCEM3X5.0/NOPB | ACTIVE        | SOT-23       | DBZ             | 3    | 3000        | Green (RoHS & no Sb/Br) | CU SN                   | Level-1-260C-UNLIM   | -40 to 125   | RVC                     | <a href="#">Samples</a> |
| LM4050QCEM3X8.2/NOPB | ACTIVE        | SOT-23       | DBZ             | 3    | 3000        | Green (RoHS & no Sb/Br) | CU SN                   | Level-1-260C-UNLIM   | -40 to 125   | RXC                     | <a href="#">Samples</a> |
| LM4050QCIM3-2.0/NOPB | ACTIVE        | SOT-23       | DBZ             | 3    | 1000        | Green (RoHS & no Sb/Br) | CU SN                   | Level-1-260C-UNLIM   | -40 to 85    | RSC                     | <a href="#">Samples</a> |
| LM4050QCIM3-4.1/NOPB | ACTIVE        | SOT-23       | DBZ             | 3    | 1000        | Green (RoHS & no Sb/Br) | CU SN                   | Level-1-260C-UNLIM   | -40 to 85    | RUC                     | <a href="#">Samples</a> |
| LM4050QCIM3-5.0/NOPB | ACTIVE        | SOT-23       | DBZ             | 3    | 1000        | Green (RoHS & no Sb/Br) | CU SN                   | Level-1-260C-UNLIM   | -40 to 85    | RVC                     | <a href="#">Samples</a> |

(1) The marketing status values are defined as follows:

**ACTIVE:** Product device recommended for new designs.

**LIFEBUY:** TI has announced that the device will be discontinued, and a lifetime-buy period is in effect.

**NRND:** Not recommended for new designs. Device is in production to support existing customers, but TI does not recommend using this part in a new design.

**PREVIEW:** Device has been announced but is not in production. Samples may or may not be available.

**OBSOLETE:** TI has discontinued the production of the device.

(2) **RoHS:** TI defines "RoHS" to mean semiconductor products that are compliant with the current EU RoHS requirements for all 10 RoHS substances, including the requirement that RoHS substance do not exceed 0.1% by weight in homogeneous materials. Where designed to be soldered at high temperatures, "RoHS" products are suitable for use in specified lead-free processes. TI may reference these types of products as "Pb-Free".

---

**RoHS Exempt:** TI defines "RoHS Exempt" to mean products that contain lead but are compliant with EU RoHS pursuant to a specific EU RoHS exemption.

**Green:** TI defines "Green" to mean the content of Chlorine (Cl) and Bromine (Br) based flame retardants meet JS709B low halogen requirements of <=1000ppm threshold. Antimony trioxide based flame retardants must also meet the <=1000ppm threshold requirement.

(3) MSL, Peak Temp. - The Moisture Sensitivity Level rating according to the JEDEC industry standard classifications, and peak solder temperature.

(4) There may be additional marking, which relates to the logo, the lot trace code information, or the environmental category on the device.

(5) Multiple Device Markings will be inside parentheses. Only one Device Marking contained in parentheses and separated by a "~" will appear on a device. If a line is indented then it is a continuation of the previous line and the two combined represent the entire Device Marking for that device.

(6) Lead/Ball Finish - Orderable Devices may have multiple material finish options. Finish options are separated by a vertical ruled line. Lead/Ball Finish values may wrap to two lines if the finish value exceeds the maximum column width.

**Important Information and Disclaimer:** The information provided on this page represents TI's knowledge and belief as of the date that it is provided. TI bases its knowledge and belief on information provided by third parties, and makes no representation or warranty as to the accuracy of such information. Efforts are underway to better integrate information from third parties. TI has taken and continues to take reasonable steps to provide representative and accurate information but may not have conducted destructive testing or chemical analysis on incoming materials and chemicals. TI and TI suppliers consider certain information to be proprietary, and thus CAS numbers and other limited information may not be available for release.

In no event shall TI's liability arising out of such information exceed the total purchase price of the TI part(s) at issue in this document sold by TI to Customer on an annual basis.

**OTHER QUALIFIED VERSIONS OF LM4050-N, LM4050-N-Q1 :**

● Catalog: [LM4050-N](#)

● Automotive: [LM4050-N-Q1](#)

NOTE: Qualified Version Definitions:

● Catalog - TI's standard catalog product

● Automotive - Q100 devices qualified for high-reliability automotive applications targeting zero defects

**TAPE AND REEL INFORMATION**

**QUADRANT ASSIGNMENTS FOR PIN 1 ORIENTATION IN TAPE**


\*All dimensions are nominal

| Device               | Package Type | Package Drawing | Pins | SPQ  | Reel Diameter (mm) | Reel Width W1 (mm) | A0 (mm) | B0 (mm) | K0 (mm) | P1 (mm) | W (mm) | Pin1 Quadrant |
|----------------------|--------------|-----------------|------|------|--------------------|--------------------|---------|---------|---------|---------|--------|---------------|
| LM4050AEM3-10/NOPB   | SOT-23       | DBZ             | 3    | 1000 | 178.0              | 8.4                | 3.3     | 2.9     | 1.22    | 4.0     | 8.0    | Q3            |
| LM4050AEM3-2.0/NOPB  | SOT-23       | DBZ             | 3    | 1000 | 178.0              | 8.4                | 3.3     | 2.9     | 1.22    | 4.0     | 8.0    | Q3            |
| LM4050AEM3-2.5       | SOT-23       | DBZ             | 3    | 1000 | 178.0              | 8.4                | 3.3     | 2.9     | 1.22    | 4.0     | 8.0    | Q3            |
| LM4050AEM3-2.5/NOPB  | SOT-23       | DBZ             | 3    | 1000 | 178.0              | 8.4                | 3.3     | 2.9     | 1.22    | 4.0     | 8.0    | Q3            |
| LM4050AEM3-5.0       | SOT-23       | DBZ             | 3    | 1000 | 178.0              | 8.4                | 3.3     | 2.9     | 1.22    | 4.0     | 8.0    | Q3            |
| LM4050AEM3-5.0/NOPB  | SOT-23       | DBZ             | 3    | 1000 | 178.0              | 8.4                | 3.3     | 2.9     | 1.22    | 4.0     | 8.0    | Q3            |
| LM4050AEM3-8.2/NOPB  | SOT-23       | DBZ             | 3    | 1000 | 178.0              | 8.4                | 3.3     | 2.9     | 1.22    | 4.0     | 8.0    | Q3            |
| LM4050AEM3X-10/NOPB  | SOT-23       | DBZ             | 3    | 3000 | 178.0              | 8.4                | 3.3     | 2.9     | 1.22    | 4.0     | 8.0    | Q3            |
| LM4050AEM3X-2.5/NOPB | SOT-23       | DBZ             | 3    | 3000 | 178.0              | 8.4                | 3.3     | 2.9     | 1.22    | 4.0     | 8.0    | Q3            |
| LM4050AEM3X-5.0/NOPB | SOT-23       | DBZ             | 3    | 3000 | 178.0              | 8.4                | 3.3     | 2.9     | 1.22    | 4.0     | 8.0    | Q3            |
| LM4050AIM3-10/NOPB   | SOT-23       | DBZ             | 3    | 1000 | 178.0              | 8.4                | 3.3     | 2.9     | 1.22    | 4.0     | 8.0    | Q3            |
| LM4050AIM3-2.5       | SOT-23       | DBZ             | 3    | 1000 | 178.0              | 8.4                | 3.3     | 2.9     | 1.22    | 4.0     | 8.0    | Q3            |
| LM4050AIM3-2.5/NOPB  | SOT-23       | DBZ             | 3    | 1000 | 178.0              | 8.4                | 3.3     | 2.9     | 1.22    | 4.0     | 8.0    | Q3            |
| LM4050AIM3-4.1       | SOT-23       | DBZ             | 3    | 1000 | 178.0              | 8.4                | 3.3     | 2.9     | 1.22    | 4.0     | 8.0    | Q3            |
| LM4050AIM3-4.1/NOPB  | SOT-23       | DBZ             | 3    | 1000 | 178.0              | 8.4                | 3.3     | 2.9     | 1.22    | 4.0     | 8.0    | Q3            |
| LM4050AIM3-5.0       | SOT-23       | DBZ             | 3    | 1000 | 178.0              | 8.4                | 3.3     | 2.9     | 1.22    | 4.0     | 8.0    | Q3            |
| LM4050AIM3-5.0/NOPB  | SOT-23       | DBZ             | 3    | 1000 | 178.0              | 8.4                | 3.3     | 2.9     | 1.22    | 4.0     | 8.0    | Q3            |
| LM4050AIM3X-2.5/NOPB | SOT-23       | DBZ             | 3    | 3000 | 178.0              | 8.4                | 3.3     | 2.9     | 1.22    | 4.0     | 8.0    | Q3            |

| Device               | Package Type | Package Drawing | Pins | SPQ  | Reel Diameter (mm) | Reel Width W1 (mm) | A0 (mm) | B0 (mm) | K0 (mm) | P1 (mm) | W (mm) | Pin1 Quadrant |
|----------------------|--------------|-----------------|------|------|--------------------|--------------------|---------|---------|---------|---------|--------|---------------|
| LM4050AIM3X-4.1/NOPB | SOT-23       | DBZ             | 3    | 3000 | 178.0              | 8.4                | 3.3     | 2.9     | 1.22    | 4.0     | 8.0    | Q3            |
| LM4050AIM3X-5.0/NOPB | SOT-23       | DBZ             | 3    | 3000 | 178.0              | 8.4                | 3.3     | 2.9     | 1.22    | 4.0     | 8.0    | Q3            |
| LM4050BEM3-10/NOPB   | SOT-23       | DBZ             | 3    | 1000 | 178.0              | 8.4                | 3.3     | 2.9     | 1.22    | 4.0     | 8.0    | Q3            |
| LM4050BEM3-2.5       | SOT-23       | DBZ             | 3    | 1000 | 178.0              | 8.4                | 3.3     | 2.9     | 1.22    | 4.0     | 8.0    | Q3            |
| LM4050BEM3-2.5/NOPB  | SOT-23       | DBZ             | 3    | 1000 | 178.0              | 8.4                | 3.3     | 2.9     | 1.22    | 4.0     | 8.0    | Q3            |
| LM4050BEM3-4.1/NOPB  | SOT-23       | DBZ             | 3    | 1000 | 178.0              | 8.4                | 3.3     | 2.9     | 1.22    | 4.0     | 8.0    | Q3            |
| LM4050BEM3-5.0       | SOT-23       | DBZ             | 3    | 1000 | 178.0              | 8.4                | 3.3     | 2.9     | 1.22    | 4.0     | 8.0    | Q3            |
| LM4050BEM3-5.0/NOPB  | SOT-23       | DBZ             | 3    | 1000 | 178.0              | 8.4                | 3.3     | 2.9     | 1.22    | 4.0     | 8.0    | Q3            |
| LM4050BEM3-8.2/NOPB  | SOT-23       | DBZ             | 3    | 1000 | 178.0              | 8.4                | 3.3     | 2.9     | 1.22    | 4.0     | 8.0    | Q3            |
| LM4050BEM3X-10/NOPB  | SOT-23       | DBZ             | 3    | 3000 | 178.0              | 8.4                | 3.3     | 2.9     | 1.22    | 4.0     | 8.0    | Q3            |
| LM4050BEM3X-2.5/NOPB | SOT-23       | DBZ             | 3    | 3000 | 178.0              | 8.4                | 3.3     | 2.9     | 1.22    | 4.0     | 8.0    | Q3            |
| LM4050BEM3X-5.0/NOPB | SOT-23       | DBZ             | 3    | 3000 | 178.0              | 8.4                | 3.3     | 2.9     | 1.22    | 4.0     | 8.0    | Q3            |
| LM4050BIM3-10/NOPB   | SOT-23       | DBZ             | 3    | 1000 | 178.0              | 8.4                | 3.3     | 2.9     | 1.22    | 4.0     | 8.0    | Q3            |
| LM4050BIM3-2.5       | SOT-23       | DBZ             | 3    | 1000 | 178.0              | 8.4                | 3.3     | 2.9     | 1.22    | 4.0     | 8.0    | Q3            |
| LM4050BIM3-2.5/NOPB  | SOT-23       | DBZ             | 3    | 1000 | 178.0              | 8.4                | 3.3     | 2.9     | 1.22    | 4.0     | 8.0    | Q3            |
| LM4050BIM3-4.1/NOPB  | SOT-23       | DBZ             | 3    | 1000 | 178.0              | 8.4                | 3.3     | 2.9     | 1.22    | 4.0     | 8.0    | Q3            |
| LM4050BIM3-5.0       | SOT-23       | DBZ             | 3    | 1000 | 178.0              | 8.4                | 3.3     | 2.9     | 1.22    | 4.0     | 8.0    | Q3            |
| LM4050BIM3-5.0/NOPB  | SOT-23       | DBZ             | 3    | 1000 | 178.0              | 8.4                | 3.3     | 2.9     | 1.22    | 4.0     | 8.0    | Q3            |
| LM4050BIM3X-2.0/NOPB | SOT-23       | DBZ             | 3    | 3000 | 178.0              | 8.4                | 3.3     | 2.9     | 1.22    | 4.0     | 8.0    | Q3            |
| LM4050BIM3X-2.5/NOPB | SOT-23       | DBZ             | 3    | 3000 | 178.0              | 8.4                | 3.3     | 2.9     | 1.22    | 4.0     | 8.0    | Q3            |
| LM4050BIM3X-4.1/NOPB | SOT-23       | DBZ             | 3    | 3000 | 178.0              | 8.4                | 3.3     | 2.9     | 1.22    | 4.0     | 8.0    | Q3            |
| LM4050BIM3X-5.0/NOPB | SOT-23       | DBZ             | 3    | 3000 | 178.0              | 8.4                | 3.3     | 2.9     | 1.22    | 4.0     | 8.0    | Q3            |
| LM4050CEM3-10/NOPB   | SOT-23       | DBZ             | 3    | 1000 | 178.0              | 8.4                | 3.3     | 2.9     | 1.22    | 4.0     | 8.0    | Q3            |
| LM4050CEM3-2.5       | SOT-23       | DBZ             | 3    | 1000 | 178.0              | 8.4                | 3.3     | 2.9     | 1.22    | 4.0     | 8.0    | Q3            |
| LM4050CEM3-2.5/NOPB  | SOT-23       | DBZ             | 3    | 1000 | 178.0              | 8.4                | 3.3     | 2.9     | 1.22    | 4.0     | 8.0    | Q3            |
| LM4050CEM3-5.0       | SOT-23       | DBZ             | 3    | 1000 | 178.0              | 8.4                | 3.3     | 2.9     | 1.22    | 4.0     | 8.0    | Q3            |
| LM4050CEM3-5.0/NOPB  | SOT-23       | DBZ             | 3    | 1000 | 178.0              | 8.4                | 3.3     | 2.9     | 1.22    | 4.0     | 8.0    | Q3            |
| LM4050CEM3X-2.5/NOPB | SOT-23       | DBZ             | 3    | 3000 | 178.0              | 8.4                | 3.3     | 2.9     | 1.22    | 4.0     | 8.0    | Q3            |
| LM4050CEM3X-5.0/NOPB | SOT-23       | DBZ             | 3    | 3000 | 178.0              | 8.4                | 3.3     | 2.9     | 1.22    | 4.0     | 8.0    | Q3            |
| LM4050CIM3-10/NOPB   | SOT-23       | DBZ             | 3    | 1000 | 178.0              | 8.4                | 3.3     | 2.9     | 1.22    | 4.0     | 8.0    | Q3            |
| LM4050CIM3-2.5/NOPB  | SOT-23       | DBZ             | 3    | 1000 | 178.0              | 8.4                | 3.3     | 2.9     | 1.22    | 4.0     | 8.0    | Q3            |
| LM4050CIM3-4.1/NOPB  | SOT-23       | DBZ             | 3    | 1000 | 178.0              | 8.4                | 3.3     | 2.9     | 1.22    | 4.0     | 8.0    | Q3            |
| LM4050CIM3-5.0       | SOT-23       | DBZ             | 3    | 1000 | 178.0              | 8.4                | 3.3     | 2.9     | 1.22    | 4.0     | 8.0    | Q3            |
| LM4050CIM3-5.0/NOPB  | SOT-23       | DBZ             | 3    | 1000 | 178.0              | 8.4                | 3.3     | 2.9     | 1.22    | 4.0     | 8.0    | Q3            |
| LM4050CIM3X-2.0/NOPB | SOT-23       | DBZ             | 3    | 3000 | 178.0              | 8.4                | 3.3     | 2.9     | 1.22    | 4.0     | 8.0    | Q3            |
| LM4050CIM3X-2.5/NOPB | SOT-23       | DBZ             | 3    | 3000 | 178.0              | 8.4                | 3.3     | 2.9     | 1.22    | 4.0     | 8.0    | Q3            |
| LM4050CIM3X-4.1/NOPB | SOT-23       | DBZ             | 3    | 3000 | 178.0              | 8.4                | 3.3     | 2.9     | 1.22    | 4.0     | 8.0    | Q3            |
| LM4050CIM3X-5.0/NOPB | SOT-23       | DBZ             | 3    | 3000 | 178.0              | 8.4                | 3.3     | 2.9     | 1.22    | 4.0     | 8.0    | Q3            |
| LM4050QAEM3-10/NOPB  | SOT-23       | DBZ             | 3    | 1000 | 178.0              | 8.4                | 3.3     | 2.9     | 1.22    | 4.0     | 8.0    | Q3            |
| LM4050QAEM3-2.0/NOPB | SOT-23       | DBZ             | 3    | 1000 | 178.0              | 8.4                | 3.3     | 2.9     | 1.22    | 4.0     | 8.0    | Q3            |
| LM4050QAEM3-2.5/NOPB | SOT-23       | DBZ             | 3    | 1000 | 178.0              | 8.4                | 3.3     | 2.9     | 1.22    | 4.0     | 8.0    | Q3            |

| Device               | Package Type | Package Drawing | Pins | SPQ  | Reel Diameter (mm) | Reel Width W1 (mm) | A0 (mm) | B0 (mm) | K0 (mm) | P1 (mm) | W (mm) | Pin1 Quadrant |
|----------------------|--------------|-----------------|------|------|--------------------|--------------------|---------|---------|---------|---------|--------|---------------|
| LM4050QAEM3-4.1/NOPB | SOT-23       | DBZ             | 3    | 1000 | 178.0              | 8.4                | 3.3     | 2.9     | 1.22    | 4.0     | 8.0    | Q3            |
| LM4050QAEM3-5.0/NOPB | SOT-23       | DBZ             | 3    | 1000 | 178.0              | 8.4                | 3.3     | 2.9     | 1.22    | 4.0     | 8.0    | Q3            |
| LM4050QAEM3-8.2/NOPB | SOT-23       | DBZ             | 3    | 1000 | 178.0              | 8.4                | 3.3     | 2.9     | 1.22    | 4.0     | 8.0    | Q3            |
| LM4050QAEM3X10/NOPB  | SOT-23       | DBZ             | 3    | 3000 | 178.0              | 8.4                | 3.3     | 2.9     | 1.22    | 4.0     | 8.0    | Q3            |
| LM4050QAEM3X2.0/NOPB | SOT-23       | DBZ             | 3    | 3000 | 178.0              | 8.4                | 3.3     | 2.9     | 1.22    | 4.0     | 8.0    | Q3            |
| LM4050QAEM3X2.5/NOPB | SOT-23       | DBZ             | 3    | 3000 | 178.0              | 8.4                | 3.3     | 2.9     | 1.22    | 4.0     | 8.0    | Q3            |
| LM4050QAEM3X4.1/NOPB | SOT-23       | DBZ             | 3    | 3000 | 178.0              | 8.4                | 3.3     | 2.9     | 1.22    | 4.0     | 8.0    | Q3            |
| LM4050QAEM3X5.0/NOPB | SOT-23       | DBZ             | 3    | 3000 | 178.0              | 8.4                | 3.3     | 2.9     | 1.22    | 4.0     | 8.0    | Q3            |
| LM4050QAEM3X8.2/NOPB | SOT-23       | DBZ             | 3    | 3000 | 178.0              | 8.4                | 3.3     | 2.9     | 1.22    | 4.0     | 8.0    | Q3            |
| LM4050QAIM3-10/NOPB  | SOT-23       | DBZ             | 3    | 1000 | 178.0              | 8.4                | 3.3     | 2.9     | 1.22    | 4.0     | 8.0    | Q3            |
| LM4050QAIM3-2.0/NOPB | SOT-23       | DBZ             | 3    | 1000 | 178.0              | 8.4                | 3.3     | 2.9     | 1.22    | 4.0     | 8.0    | Q3            |
| LM4050QAIM3-2.5/NOPB | SOT-23       | DBZ             | 3    | 1000 | 178.0              | 8.4                | 3.3     | 2.9     | 1.22    | 4.0     | 8.0    | Q3            |
| LM4050QAIM3-4.1/NOPB | SOT-23       | DBZ             | 3    | 1000 | 178.0              | 8.4                | 3.3     | 2.9     | 1.22    | 4.0     | 8.0    | Q3            |
| LM4050QAIM3-8.2/NOPB | SOT-23       | DBZ             | 3    | 1000 | 178.0              | 8.4                | 3.3     | 2.9     | 1.22    | 4.0     | 8.0    | Q3            |
| LM4050QAIM3X4.1/NOPB | SOT-23       | DBZ             | 3    | 3000 | 178.0              | 8.4                | 3.3     | 2.9     | 1.22    | 4.0     | 8.0    | Q3            |
| LM4050QBEM3-10/NOPB  | SOT-23       | DBZ             | 3    | 1000 | 178.0              | 8.4                | 3.3     | 2.9     | 1.22    | 4.0     | 8.0    | Q3            |
| LM4050QBEM3-2.0/NOPB | SOT-23       | DBZ             | 3    | 1000 | 178.0              | 8.4                | 3.3     | 2.9     | 1.22    | 4.0     | 8.0    | Q3            |
| LM4050QBEM3-2.5/NOPB | SOT-23       | DBZ             | 3    | 1000 | 178.0              | 8.4                | 3.3     | 2.9     | 1.22    | 4.0     | 8.0    | Q3            |
| LM4050QBEM3-4.1/NOPB | SOT-23       | DBZ             | 3    | 1000 | 178.0              | 8.4                | 3.3     | 2.9     | 1.22    | 4.0     | 8.0    | Q3            |
| LM4050QBEM3-5.0/NOPB | SOT-23       | DBZ             | 3    | 1000 | 178.0              | 8.4                | 3.3     | 2.9     | 1.22    | 4.0     | 8.0    | Q3            |
| LM4050QBEM3-8.2/NOPB | SOT-23       | DBZ             | 3    | 1000 | 178.0              | 8.4                | 3.3     | 2.9     | 1.22    | 4.0     | 8.0    | Q3            |
| LM4050QBEM3X10/NOPB  | SOT-23       | DBZ             | 3    | 3000 | 178.0              | 8.4                | 3.3     | 2.9     | 1.22    | 4.0     | 8.0    | Q3            |
| LM4050QBEM3X2.0/NOPB | SOT-23       | DBZ             | 3    | 3000 | 178.0              | 8.4                | 3.3     | 2.9     | 1.22    | 4.0     | 8.0    | Q3            |
| LM4050QBEM3X2.5/NOPB | SOT-23       | DBZ             | 3    | 3000 | 178.0              | 8.4                | 3.3     | 2.9     | 1.22    | 4.0     | 8.0    | Q3            |
| LM4050QBEM3X4.1/NOPB | SOT-23       | DBZ             | 3    | 3000 | 178.0              | 8.4                | 3.3     | 2.9     | 1.22    | 4.0     | 8.0    | Q3            |
| LM4050QBEM3X5.0/NOPB | SOT-23       | DBZ             | 3    | 3000 | 178.0              | 8.4                | 3.3     | 2.9     | 1.22    | 4.0     | 8.0    | Q3            |
| LM4050QBEM3X8.2/NOPB | SOT-23       | DBZ             | 3    | 3000 | 178.0              | 8.4                | 3.3     | 2.9     | 1.22    | 4.0     | 8.0    | Q3            |
| LM4050QBIM3-10/NOPB  | SOT-23       | DBZ             | 3    | 1000 | 178.0              | 8.4                | 3.3     | 2.9     | 1.22    | 4.0     | 8.0    | Q3            |
| LM4050QBIM3-2.0/NOPB | SOT-23       | DBZ             | 3    | 1000 | 178.0              | 8.4                | 3.3     | 2.9     | 1.22    | 4.0     | 8.0    | Q3            |

| Device               | Package Type | Package Drawing | Pins | SPQ  | Reel Diameter (mm) | Reel Width W1 (mm) | A0 (mm) | B0 (mm) | K0 (mm) | P1 (mm) | W (mm) | Pin1 Quadrant |
|----------------------|--------------|-----------------|------|------|--------------------|--------------------|---------|---------|---------|---------|--------|---------------|
| LM4050QBIM3-2.5/NOPB | SOT-23       | DBZ             | 3    | 1000 | 178.0              | 8.4                | 3.3     | 2.9     | 1.22    | 4.0     | 8.0    | Q3            |
| LM4050QBIM3-4.1/NOPB | SOT-23       | DBZ             | 3    | 1000 | 178.0              | 8.4                | 3.3     | 2.9     | 1.22    | 4.0     | 8.0    | Q3            |
| LM4050QBIM3-5.0/NOPB | SOT-23       | DBZ             | 3    | 1000 | 178.0              | 8.4                | 3.3     | 2.9     | 1.22    | 4.0     | 8.0    | Q3            |
| LM4050QBIM3-8.2/NOPB | SOT-23       | DBZ             | 3    | 1000 | 178.0              | 8.4                | 3.3     | 2.9     | 1.22    | 4.0     | 8.0    | Q3            |
| LM4050QCEM3-10/NOPB  | SOT-23       | DBZ             | 3    | 1000 | 178.0              | 8.4                | 3.3     | 2.9     | 1.22    | 4.0     | 8.0    | Q3            |
| LM4050QCEM3-2.0/NOPB | SOT-23       | DBZ             | 3    | 1000 | 178.0              | 8.4                | 3.3     | 2.9     | 1.22    | 4.0     | 8.0    | Q3            |
| LM4050QCEM3-2.5/NOPB | SOT-23       | DBZ             | 3    | 1000 | 178.0              | 8.4                | 3.3     | 2.9     | 1.22    | 4.0     | 8.0    | Q3            |
| LM4050QCEM3-4.1/NOPB | SOT-23       | DBZ             | 3    | 1000 | 178.0              | 8.4                | 3.3     | 2.9     | 1.22    | 4.0     | 8.0    | Q3            |
| LM4050QCEM3-5.0/NOPB | SOT-23       | DBZ             | 3    | 1000 | 178.0              | 8.4                | 3.3     | 2.9     | 1.22    | 4.0     | 8.0    | Q3            |
| LM4050QCEM3-8.2/NOPB | SOT-23       | DBZ             | 3    | 1000 | 178.0              | 8.4                | 3.3     | 2.9     | 1.22    | 4.0     | 8.0    | Q3            |
| LM4050QCEM3X10/NOPB  | SOT-23       | DBZ             | 3    | 3000 | 178.0              | 8.4                | 3.3     | 2.9     | 1.22    | 4.0     | 8.0    | Q3            |
| LM4050QCEM3X2.0/NOPB | SOT-23       | DBZ             | 3    | 3000 | 178.0              | 8.4                | 3.3     | 2.9     | 1.22    | 4.0     | 8.0    | Q3            |
| LM4050QCEM3X2.5/NOPB | SOT-23       | DBZ             | 3    | 3000 | 178.0              | 8.4                | 3.3     | 2.9     | 1.22    | 4.0     | 8.0    | Q3            |
| LM4050QCEM3X4.1/NOPB | SOT-23       | DBZ             | 3    | 3000 | 178.0              | 8.4                | 3.3     | 2.9     | 1.22    | 4.0     | 8.0    | Q3            |
| LM4050QCEM3X5.0/NOPB | SOT-23       | DBZ             | 3    | 3000 | 178.0              | 8.4                | 3.3     | 2.9     | 1.22    | 4.0     | 8.0    | Q3            |
| LM4050QCEM3X8.2/NOPB | SOT-23       | DBZ             | 3    | 3000 | 178.0              | 8.4                | 3.3     | 2.9     | 1.22    | 4.0     | 8.0    | Q3            |
| LM4050QCIM3-2.0/NOPB | SOT-23       | DBZ             | 3    | 1000 | 178.0              | 8.4                | 3.3     | 2.9     | 1.22    | 4.0     | 8.0    | Q3            |
| LM4050QCIM3-4.1/NOPB | SOT-23       | DBZ             | 3    | 1000 | 178.0              | 8.4                | 3.3     | 2.9     | 1.22    | 4.0     | 8.0    | Q3            |
| LM4050QCIM3-5.0/NOPB | SOT-23       | DBZ             | 3    | 1000 | 178.0              | 8.4                | 3.3     | 2.9     | 1.22    | 4.0     | 8.0    | Q3            |

**TAPE AND REEL BOX DIMENSIONS**


\*All dimensions are nominal

| Device               | Package Type | Package Drawing | Pins | SPQ  | Length (mm) | Width (mm) | Height (mm) |
|----------------------|--------------|-----------------|------|------|-------------|------------|-------------|
| LM4050AEM3-10/NOPB   | SOT-23       | DBZ             | 3    | 1000 | 210.0       | 185.0      | 35.0        |
| LM4050AEM3-2.0/NOPB  | SOT-23       | DBZ             | 3    | 1000 | 210.0       | 185.0      | 35.0        |
| LM4050AEM3-2.5       | SOT-23       | DBZ             | 3    | 1000 | 210.0       | 185.0      | 35.0        |
| LM4050AEM3-2.5/NOPB  | SOT-23       | DBZ             | 3    | 1000 | 210.0       | 185.0      | 35.0        |
| LM4050AEM3-5.0       | SOT-23       | DBZ             | 3    | 1000 | 210.0       | 185.0      | 35.0        |
| LM4050AEM3-5.0/NOPB  | SOT-23       | DBZ             | 3    | 1000 | 210.0       | 185.0      | 35.0        |
| LM4050AEM3-8.2/NOPB  | SOT-23       | DBZ             | 3    | 1000 | 210.0       | 185.0      | 35.0        |
| LM4050AEM3X-10/NOPB  | SOT-23       | DBZ             | 3    | 3000 | 210.0       | 185.0      | 35.0        |
| LM4050AEM3X-2.5/NOPB | SOT-23       | DBZ             | 3    | 3000 | 210.0       | 185.0      | 35.0        |
| LM4050AEM3X-5.0/NOPB | SOT-23       | DBZ             | 3    | 3000 | 210.0       | 185.0      | 35.0        |
| LM4050AIM3-10/NOPB   | SOT-23       | DBZ             | 3    | 1000 | 210.0       | 185.0      | 35.0        |
| LM4050AIM3-2.5       | SOT-23       | DBZ             | 3    | 1000 | 210.0       | 185.0      | 35.0        |
| LM4050AIM3-2.5/NOPB  | SOT-23       | DBZ             | 3    | 1000 | 210.0       | 185.0      | 35.0        |
| LM4050AIM3-4.1       | SOT-23       | DBZ             | 3    | 1000 | 210.0       | 185.0      | 35.0        |
| LM4050AIM3-4.1/NOPB  | SOT-23       | DBZ             | 3    | 1000 | 210.0       | 185.0      | 35.0        |
| LM4050AIM3-5.0       | SOT-23       | DBZ             | 3    | 1000 | 210.0       | 185.0      | 35.0        |
| LM4050AIM3-5.0/NOPB  | SOT-23       | DBZ             | 3    | 1000 | 210.0       | 185.0      | 35.0        |
| LM4050AIM3X-2.5/NOPB | SOT-23       | DBZ             | 3    | 3000 | 210.0       | 185.0      | 35.0        |
| LM4050AIM3X-4.1/NOPB | SOT-23       | DBZ             | 3    | 3000 | 210.0       | 185.0      | 35.0        |
| LM4050AIM3X-5.0/NOPB | SOT-23       | DBZ             | 3    | 3000 | 210.0       | 185.0      | 35.0        |

| Device               | Package Type | Package Drawing | Pins | SPQ  | Length (mm) | Width (mm) | Height (mm) |
|----------------------|--------------|-----------------|------|------|-------------|------------|-------------|
| LM4050BEM3-10/NOPB   | SOT-23       | DBZ             | 3    | 1000 | 210.0       | 185.0      | 35.0        |
| LM4050BEM3-2.5       | SOT-23       | DBZ             | 3    | 1000 | 210.0       | 185.0      | 35.0        |
| LM4050BEM3-2.5/NOPB  | SOT-23       | DBZ             | 3    | 1000 | 210.0       | 185.0      | 35.0        |
| LM4050BEM3-4.1/NOPB  | SOT-23       | DBZ             | 3    | 1000 | 210.0       | 185.0      | 35.0        |
| LM4050BEM3-5.0       | SOT-23       | DBZ             | 3    | 1000 | 210.0       | 185.0      | 35.0        |
| LM4050BEM3-5.0/NOPB  | SOT-23       | DBZ             | 3    | 1000 | 210.0       | 185.0      | 35.0        |
| LM4050BEM3-8.2/NOPB  | SOT-23       | DBZ             | 3    | 1000 | 210.0       | 185.0      | 35.0        |
| LM4050BEM3X-10/NOPB  | SOT-23       | DBZ             | 3    | 3000 | 210.0       | 185.0      | 35.0        |
| LM4050BEM3X-2.5/NOPB | SOT-23       | DBZ             | 3    | 3000 | 210.0       | 185.0      | 35.0        |
| LM4050BEM3X-5.0/NOPB | SOT-23       | DBZ             | 3    | 3000 | 210.0       | 185.0      | 35.0        |
| LM4050BIM3-10/NOPB   | SOT-23       | DBZ             | 3    | 1000 | 210.0       | 185.0      | 35.0        |
| LM4050BIM3-2.5       | SOT-23       | DBZ             | 3    | 1000 | 210.0       | 185.0      | 35.0        |
| LM4050BIM3-2.5/NOPB  | SOT-23       | DBZ             | 3    | 1000 | 210.0       | 185.0      | 35.0        |
| LM4050BIM3-4.1/NOPB  | SOT-23       | DBZ             | 3    | 1000 | 210.0       | 185.0      | 35.0        |
| LM4050BIM3-5.0       | SOT-23       | DBZ             | 3    | 1000 | 210.0       | 185.0      | 35.0        |
| LM4050BIM3-5.0/NOPB  | SOT-23       | DBZ             | 3    | 1000 | 210.0       | 185.0      | 35.0        |
| LM4050BIM3X-2.0/NOPB | SOT-23       | DBZ             | 3    | 3000 | 210.0       | 185.0      | 35.0        |
| LM4050BIM3X-2.5/NOPB | SOT-23       | DBZ             | 3    | 3000 | 210.0       | 185.0      | 35.0        |
| LM4050BIM3X-4.1/NOPB | SOT-23       | DBZ             | 3    | 3000 | 210.0       | 185.0      | 35.0        |
| LM4050BIM3X-5.0/NOPB | SOT-23       | DBZ             | 3    | 3000 | 210.0       | 185.0      | 35.0        |
| LM4050CEM3-10/NOPB   | SOT-23       | DBZ             | 3    | 1000 | 210.0       | 185.0      | 35.0        |
| LM4050CEM3-2.5       | SOT-23       | DBZ             | 3    | 1000 | 210.0       | 185.0      | 35.0        |
| LM4050CEM3-2.5/NOPB  | SOT-23       | DBZ             | 3    | 1000 | 210.0       | 185.0      | 35.0        |
| LM4050CEM3-5.0       | SOT-23       | DBZ             | 3    | 1000 | 210.0       | 185.0      | 35.0        |
| LM4050CEM3-5.0/NOPB  | SOT-23       | DBZ             | 3    | 1000 | 210.0       | 185.0      | 35.0        |
| LM4050CEM3X-2.5/NOPB | SOT-23       | DBZ             | 3    | 3000 | 210.0       | 185.0      | 35.0        |
| LM4050CEM3X-5.0/NOPB | SOT-23       | DBZ             | 3    | 3000 | 210.0       | 185.0      | 35.0        |
| LM4050CIM3-10/NOPB   | SOT-23       | DBZ             | 3    | 1000 | 210.0       | 185.0      | 35.0        |
| LM4050CIM3-2.5/NOPB  | SOT-23       | DBZ             | 3    | 1000 | 210.0       | 185.0      | 35.0        |
| LM4050CIM3-4.1/NOPB  | SOT-23       | DBZ             | 3    | 1000 | 210.0       | 185.0      | 35.0        |
| LM4050CIM3-5.0       | SOT-23       | DBZ             | 3    | 1000 | 210.0       | 185.0      | 35.0        |
| LM4050CIM3-5.0/NOPB  | SOT-23       | DBZ             | 3    | 1000 | 210.0       | 185.0      | 35.0        |
| LM4050CIM3X-2.0/NOPB | SOT-23       | DBZ             | 3    | 3000 | 210.0       | 185.0      | 35.0        |
| LM4050CIM3X-2.5/NOPB | SOT-23       | DBZ             | 3    | 3000 | 210.0       | 185.0      | 35.0        |
| LM4050CIM3X-4.1/NOPB | SOT-23       | DBZ             | 3    | 3000 | 210.0       | 185.0      | 35.0        |
| LM4050CIM3X-5.0/NOPB | SOT-23       | DBZ             | 3    | 3000 | 210.0       | 185.0      | 35.0        |
| LM4050QAEM3-10/NOPB  | SOT-23       | DBZ             | 3    | 1000 | 210.0       | 185.0      | 35.0        |
| LM4050QAEM3-2.0/NOPB | SOT-23       | DBZ             | 3    | 1000 | 210.0       | 185.0      | 35.0        |
| LM4050QAEM3-2.5/NOPB | SOT-23       | DBZ             | 3    | 1000 | 210.0       | 185.0      | 35.0        |
| LM4050QAEM3-4.1/NOPB | SOT-23       | DBZ             | 3    | 1000 | 210.0       | 185.0      | 35.0        |
| LM4050QAEM3-5.0/NOPB | SOT-23       | DBZ             | 3    | 1000 | 210.0       | 185.0      | 35.0        |
| LM4050QAEM3-8.2/NOPB | SOT-23       | DBZ             | 3    | 1000 | 210.0       | 185.0      | 35.0        |
| LM4050QAEM3X10/NOPB  | SOT-23       | DBZ             | 3    | 3000 | 210.0       | 185.0      | 35.0        |
| LM4050QAEM3X2.0/NOP  | SOT-23       | DBZ             | 3    | 3000 | 210.0       | 185.0      | 35.0        |

| Device               | Package Type | Package Drawing | Pins | SPQ  | Length (mm) | Width (mm) | Height (mm) |
|----------------------|--------------|-----------------|------|------|-------------|------------|-------------|
| B                    |              |                 |      |      |             |            |             |
| LM4050QAEM3X2.5/NOPB | SOT-23       | DBZ             | 3    | 3000 | 210.0       | 185.0      | 35.0        |
| LM4050QAEM3X4.1/NOPB | SOT-23       | DBZ             | 3    | 3000 | 210.0       | 185.0      | 35.0        |
| LM4050QAEM3X5.0/NOPB | SOT-23       | DBZ             | 3    | 3000 | 210.0       | 185.0      | 35.0        |
| LM4050QAEM3X8.2/NOPB | SOT-23       | DBZ             | 3    | 3000 | 210.0       | 185.0      | 35.0        |
| LM4050QAIM3-10/NOPB  | SOT-23       | DBZ             | 3    | 1000 | 210.0       | 185.0      | 35.0        |
| LM4050QAIM3-2.0/NOPB | SOT-23       | DBZ             | 3    | 1000 | 210.0       | 185.0      | 35.0        |
| LM4050QAIM3-2.5/NOPB | SOT-23       | DBZ             | 3    | 1000 | 210.0       | 185.0      | 35.0        |
| LM4050QAIM3-4.1/NOPB | SOT-23       | DBZ             | 3    | 1000 | 210.0       | 185.0      | 35.0        |
| LM4050QAIM3-8.2/NOPB | SOT-23       | DBZ             | 3    | 1000 | 210.0       | 185.0      | 35.0        |
| LM4050QAIM3X4.1/NOPB | SOT-23       | DBZ             | 3    | 3000 | 210.0       | 185.0      | 35.0        |
| LM4050QBEM3-10/NOPB  | SOT-23       | DBZ             | 3    | 1000 | 210.0       | 185.0      | 35.0        |
| LM4050QBEM3-2.0/NOPB | SOT-23       | DBZ             | 3    | 1000 | 210.0       | 185.0      | 35.0        |
| LM4050QBEM3-2.5/NOPB | SOT-23       | DBZ             | 3    | 1000 | 210.0       | 185.0      | 35.0        |
| LM4050QBEM3-4.1/NOPB | SOT-23       | DBZ             | 3    | 1000 | 210.0       | 185.0      | 35.0        |
| LM4050QBEM3-5.0/NOPB | SOT-23       | DBZ             | 3    | 1000 | 210.0       | 185.0      | 35.0        |
| LM4050QBEM3-8.2/NOPB | SOT-23       | DBZ             | 3    | 1000 | 210.0       | 185.0      | 35.0        |
| LM4050QBEM3X10/NOPB  | SOT-23       | DBZ             | 3    | 3000 | 210.0       | 185.0      | 35.0        |
| LM4050QBEM3X2.0/NOPB | SOT-23       | DBZ             | 3    | 3000 | 210.0       | 185.0      | 35.0        |
| LM4050QBEM3X2.5/NOPB | SOT-23       | DBZ             | 3    | 3000 | 210.0       | 185.0      | 35.0        |
| LM4050QBEM3X4.1/NOPB | SOT-23       | DBZ             | 3    | 3000 | 210.0       | 185.0      | 35.0        |
| LM4050QBEM3X5.0/NOPB | SOT-23       | DBZ             | 3    | 3000 | 210.0       | 185.0      | 35.0        |
| LM4050QBEM3X8.2/NOPB | SOT-23       | DBZ             | 3    | 3000 | 210.0       | 185.0      | 35.0        |
| LM4050QBIM3-10/NOPB  | SOT-23       | DBZ             | 3    | 1000 | 210.0       | 185.0      | 35.0        |
| LM4050QBIM3-2.0/NOPB | SOT-23       | DBZ             | 3    | 1000 | 210.0       | 185.0      | 35.0        |
| LM4050QBIM3-2.5/NOPB | SOT-23       | DBZ             | 3    | 1000 | 210.0       | 185.0      | 35.0        |
| LM4050QBIM3-4.1/NOPB | SOT-23       | DBZ             | 3    | 1000 | 210.0       | 185.0      | 35.0        |
| LM4050QBIM3-5.0/NOPB | SOT-23       | DBZ             | 3    | 1000 | 210.0       | 185.0      | 35.0        |
| LM4050QBIM3-8.2/NOPB | SOT-23       | DBZ             | 3    | 1000 | 210.0       | 185.0      | 35.0        |
| LM4050QCEM3-10/NOPB  | SOT-23       | DBZ             | 3    | 1000 | 210.0       | 185.0      | 35.0        |
| LM4050QCEM3-2.0/NOPB | SOT-23       | DBZ             | 3    | 1000 | 210.0       | 185.0      | 35.0        |
| LM4050QCEM3-2.5/NOPB | SOT-23       | DBZ             | 3    | 1000 | 210.0       | 185.0      | 35.0        |
| LM4050QCEM3-4.1/NOPB | SOT-23       | DBZ             | 3    | 1000 | 210.0       | 185.0      | 35.0        |
| LM4050QCEM3-5.0/NOPB | SOT-23       | DBZ             | 3    | 1000 | 210.0       | 185.0      | 35.0        |
| LM4050QCEM3-8.2/NOPB | SOT-23       | DBZ             | 3    | 1000 | 210.0       | 185.0      | 35.0        |
| LM4050QCEM3X10/NOPB  | SOT-23       | DBZ             | 3    | 3000 | 210.0       | 185.0      | 35.0        |
| LM4050QCEM3X2.0/NOPB | SOT-23       | DBZ             | 3    | 3000 | 210.0       | 185.0      | 35.0        |

| Device                   | Package Type | Package Drawing | Pins | SPQ  | Length (mm) | Width (mm) | Height (mm) |
|--------------------------|--------------|-----------------|------|------|-------------|------------|-------------|
| LM4050QCEM3X2.5/NOP<br>B | SOT-23       | DBZ             | 3    | 3000 | 210.0       | 185.0      | 35.0        |
| LM4050QCEM3X4.1/NOP<br>B | SOT-23       | DBZ             | 3    | 3000 | 210.0       | 185.0      | 35.0        |
| LM4050QCEM3X5.0/NOP<br>B | SOT-23       | DBZ             | 3    | 3000 | 210.0       | 185.0      | 35.0        |
| LM4050QCEM3X8.2/NOP<br>B | SOT-23       | DBZ             | 3    | 3000 | 210.0       | 185.0      | 35.0        |
| LM4050QCIM3-2.0/NOPB     | SOT-23       | DBZ             | 3    | 1000 | 210.0       | 185.0      | 35.0        |
| LM4050QCIM3-4.1/NOPB     | SOT-23       | DBZ             | 3    | 1000 | 210.0       | 185.0      | 35.0        |
| LM4050QCIM3-5.0/NOPB     | SOT-23       | DBZ             | 3    | 1000 | 210.0       | 185.0      | 35.0        |

**GENERIC PACKAGE VIEW**

**DBZ 3**

**SOT-23 - 1.12 mm max height**

SMALL OUTLINE TRANSISTOR



Images above are just a representation of the package family, actual package may vary.  
Refer to the product data sheet for package details.

4203227/C

DBZ0003A



# PACKAGE OUTLINE

SOT-23 - 1.12 mm max height

SMALL OUTLINE TRANSISTOR



4214838/C 04/2017

NOTES:

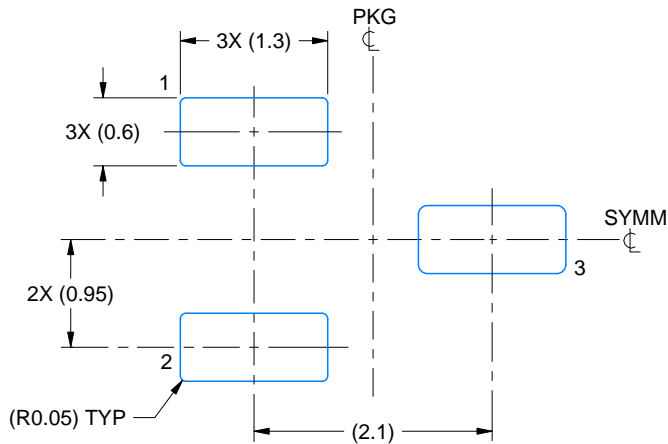
1. All linear dimensions are in millimeters. Any dimensions in parenthesis are for reference only. Dimensioning and tolerancing per ASME Y14.5M.
2. This drawing is subject to change without notice.
3. Reference JEDEC registration TO-236, except minimum foot length.

# EXAMPLE BOARD LAYOUT

DBZ0003A

SOT-23 - 1.12 mm max height

SMALL OUTLINE TRANSISTOR



LAND PATTERN EXAMPLE  
SCALE:15X



SOLDER MASK DETAILS

4214838/C 04/2017

NOTES: (continued)

4. Publication IPC-7351 may have alternate designs.
5. Solder mask tolerances between and around signal pads can vary based on board fabrication site.

# EXAMPLE STENCIL DESIGN

DBZ0003A

SOT-23 - 1.12 mm max height

SMALL OUTLINE TRANSISTOR



SOLDER PASTE EXAMPLE  
BASED ON 0.125 THICK STENCIL  
SCALE:15X

4214838/C 04/2017

NOTES: (continued)

6. Laser cutting apertures with trapezoidal walls and rounded corners may offer better paste release. IPC-7525 may have alternate design recommendations.
7. Board assembly site may have different recommendations for stencil design.

## IMPORTANT NOTICE AND DISCLAIMER

TI PROVIDES TECHNICAL AND RELIABILITY DATA (INCLUDING DATASHEETS), DESIGN RESOURCES (INCLUDING REFERENCE DESIGNS), APPLICATION OR OTHER DESIGN ADVICE, WEB TOOLS, SAFETY INFORMATION, AND OTHER RESOURCES "AS IS" AND WITH ALL FAULTS, AND DISCLAIMS ALL WARRANTIES, EXPRESS AND IMPLIED, INCLUDING WITHOUT LIMITATION ANY IMPLIED WARRANTIES OF MERCHANTABILITY, FITNESS FOR A PARTICULAR PURPOSE OR NON-INFRINGEMENT OF THIRD PARTY INTELLECTUAL PROPERTY RIGHTS.



These resources are intended for skilled developers designing with TI products. You are solely responsible for (1) selecting the appropriate TI products for your application, (2) designing, validating and testing your application, and (3) ensuring your application meets applicable standards, and any other safety, security, or other requirements. These resources are subject to change without notice. TI grants you permission to use these resources only for development of an application that uses the TI products described in the resource. Other reproduction and display of these resources is prohibited. No license is granted to any other TI intellectual property right or to any third party intellectual property right. TI disclaims responsibility for, and you will fully indemnify TI and its representatives against, any claims, damages, costs, losses, and liabilities arising out of your use of these resources.

TI's products are provided subject to TI's Terms of Sale ([www.ti.com/legal/termsofsale.html](http://www.ti.com/legal/termsofsale.html)) or other applicable terms available either on [ti.com](http://ti.com) or provided in conjunction with such TI products. TI's provision of these resources does not expand or otherwise alter TI's applicable warranties or warranty disclaimers for TI products.

Mailing Address: Texas Instruments, Post Office Box 655303, Dallas, Texas 75265  
Copyright © 2019, Texas Instruments Incorporated

## Looking for pricing, stock, or lifecycle information?

Click below to explore more details on WIN SOURCE:

-  [View LM4050BIM3X-8.2 on WIN SOURCE](#)
-  [Texas Instruments](#) Information

## Optimize Your Supply Chain with WIN SOURCE Solutions

-  Global Sourcing Solution
-  Obsolete Management
-  Cost Control Management
-  Shortage Management
-  Alternative Solution
-  Excess Inventory Management