



**THE DATASHEET OF  
74LVC1G17FW4-7**

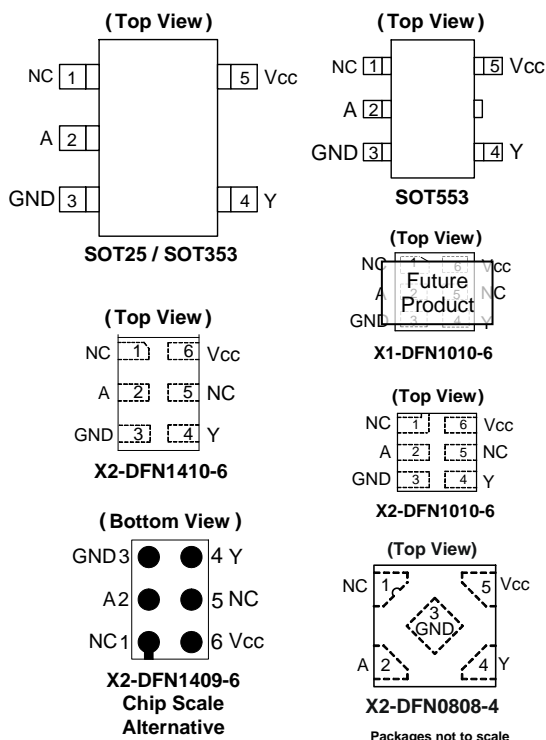


## Description

The 74LVC1G17 is a single 1-input Schmitt-trigger buffer with a standard push-pull output. The device is designed for operation with a power supply range of 1.65V to 5.5V. The inputs are tolerant to 5.5V allowing this device to be used in a mixed voltage environment. The device is fully specified for partial power down applications using I<sub>OFF</sub>. The I<sub>OFF</sub> circuitry disables the output preventing damaging current backflow when the device is powered down. The gate performs the positive Boolean function:

$$Y = A$$

## Pin Assignments



## Features

- Wide Supply Voltage Range from 1.65V to 5.5V
- ± 24mA Output Drive at 3.3V
- CMOS low power consumption
- I<sub>OFF</sub> Supports Partial-Power-Down Mode Operation
- Inputs accept up to 5.5V
- ESD Protection Exceeds JESD 22
  - 200-V Machine Model (A115)
  - 2,000-V Human Body Model (A114)
  - Latch-Up Exceeds 100mA per JESD 78, Class I
- Range of Package Options
- **Totally Lead-Free & Fully RoHS Compliant (Notes 1 & 2)**
- **Halogen and Antimony Free. "Green" Device (Note 3)**

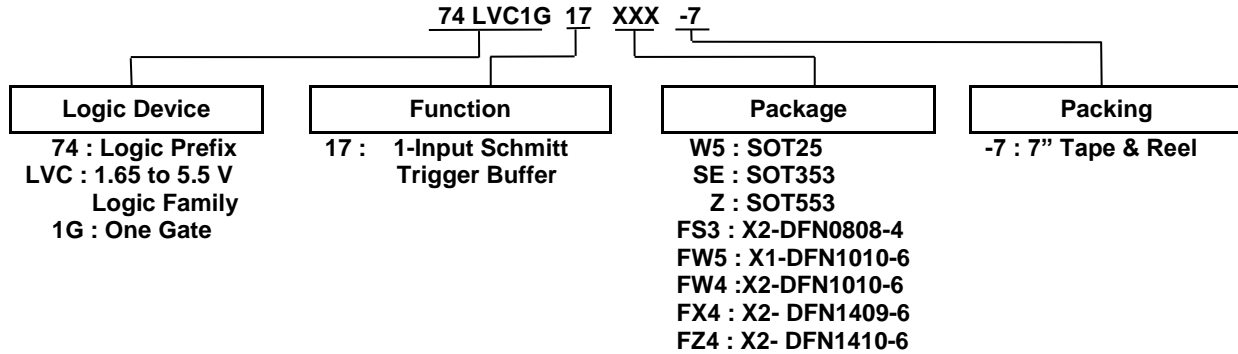
## Applications

- Voltage Level Shifting
- General Purpose Logic
- Power Down Signal Isolation
- Wide array of products such as:
  - PCs, networking, notebooks, netbooks, PDAs
  - Computer peripherals, hard drives, CD/DVD ROM
  - TV, DVD, DVR, set top box
  - Cell Phones, Personal Navigation / GPS
  - MP3 players, Cameras, Video Recorders

Notes:

1. No purposely added lead. Fully EU Directive 2002/95/EC (RoHS) & 2011/65/EU (RoHS 2) compliant.
2. See <http://www.diodes.com> for more information about Diodes Incorporated's definitions of Halogen- and Antimony-free, "Green" and Lead-free.
3. Halogen- and Antimony-free "Green" products are defined as those which contain <900ppm bromine, <900ppm chlorine (<1500ppm total Br + Cl) and < 1000 ppm antimony compounds.

## Ordering Information



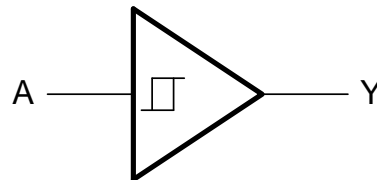
Device	Package Code	Package (Notes 4, 5)	Package Size	7" Tape and Reel	
				Quantity	Part Number Suffix
74LVC1G17W5-7	W5	SOT25	3.0mm X 2.8mm X 1.2mm 0.95 mm lead pitch	3,000/Tape & Reel	-7
74LVC1G17SE-7	SE	SOT353	2.0mm X 2.0mm X 1.1mm 0.65 mm lead pitch	3,000/Tape & Reel	-7
74LVC1G17Z-7	Z	SOT553	1.1.6mm X 1.6 mm X 0.62mm 0.5 mm lead pitch	4,000/Tape & Reel	-7
74LVC1G17FS3-7	FS3	X2-DFN0808-4	0.9mm X 0.9 mm X 0.35mm 0.5 mm pad pitch (diamond)	5,000/Tape & Reel	-7
74LVC1G17FW5-7 <b>(Future Product)</b>	FW5	X1-DFN1010-6 <b>(Future Product)</b>	1.0mm X 1.0mm X 0.5mm 0.35 mm pad pitch	5,000/Tape & Reel	-7
74LVC1G17FW4-7	FW4	X2-DFN1010-6	1.0mm X 1.0mm X 0.4mm 0.35 mm pad pitch	5,000/Tape & Reel	-7
74LVC1G17FX4-7	FX4	X2-DFN1409-6 <b>(Chip Scale Alternative)</b>	1.4mm X 0.9mm X 0.4mm 0.5 mm pad pitch	5,000/Tape & Reel	-7
74LVC1G17FZ4-7	FZ4	X2-DFN1410-6	1.4mm X 1.0mm X 0.4mm 0.5 mm pad pitch	5,000/Tape & Reel	-7

Notes: 4. Pad layout as shown on Diodes' suggested pad layout, which can be found on our website at <http://www.diodes.com/package-outlines.html>.  
5. The taping orientation is located on our website at <https://www.diodes.com/assets/Diodes-Packaging/ap02007.pdf>.

### Pin Descriptions

Pin Name	Description
A	Data Input
GND	Ground
Y	Data Output
V <sub>CC</sub>	Supply Voltage

### Logic Diagram



### Function Table

Inputs	Output
A	Y
H	H
L	L

**Absolute Maximum Ratings** (Notes 6 & 7)

Symbol	Description	Rating	Unit
ESD HBM	Human Body Model ESD Protection	2	kV
ESD MM	Machine Model ESD Protection	200	V
V <sub>CC</sub>	Supply Voltage Range	-0.5 to 6.5	V
V <sub>I</sub>	Input Voltage Range	-0.5 to 6.5	V
V <sub>O</sub>	Voltage Applied to Output in High Impedance or I <sub>OFF</sub> State	-0.5 to 6.5	V
V <sub>O</sub>	Voltage Applied to Output in High or Low State	-0.5 to V <sub>CC</sub> +0.5	V
I <sub>IK</sub>	Input Clamp Current V <sub>I</sub> < 0	-50	mA
I <sub>OK</sub>	Output Clamp Current	-50	mA
I <sub>O</sub>	Continuous Output Current	±50	mA
I <sub>CC, IGND</sub>	Continuous Current through V <sub>CC</sub> or GND	±100	mA
T <sub>J</sub>	Operating Junction Temperature	-40 to 150	°C
T <sub>STG</sub>	Storage Temperature	-65 to 150	°C

- Notes:
- Stresses beyond the absolute maximum may result in immediate failure or reduced reliability. These are stress values and device operation should be within recommend values.
  - Forcing the maximum allowed voltage could cause a condition exceeding the maximum current or conversely forcing the maximum current could cause a condition exceeding the maximum voltage. The ratings of both current and voltage must be maintained within the controlled range..

**Recommended Operating Conditions** (Note 8)

Symbol	Parameter	Min	Max	Unit	
V <sub>CC</sub>	Operating Voltage	Operating	1.65	5.5	V
		Data retention only	1.5	—	V
V <sub>I</sub>	Input Voltage	0	5.5	V	
V <sub>O</sub>	Output Voltage	0	V <sub>CC</sub>	V	
I <sub>OH</sub>	High-Level Output current	V <sub>CC</sub> = 1.65V	—	-4	mA
		V <sub>CC</sub> = 2.3V	—	-8	
		V <sub>CC</sub> = 2.7V	—	-12	
		V <sub>CC</sub> = 3V	—	-16	
		V <sub>CC</sub> = 4.5V	—	-24	
I <sub>OL</sub>	Low-Level Output current	V <sub>CC</sub> = 1.65V	—	4	mA
		V <sub>CC</sub> = 2.3V	—	8	
		V <sub>CC</sub> = 2.7V	—	12	
		V <sub>CC</sub> = 3V	—	16	
		V <sub>CC</sub> = 4.5V	—	24	
T <sub>A</sub>	Operating Free-Air Temperature	—	-40	+125	°C

Note: 8. Unused inputs should be held at V<sub>CC</sub> or Ground.

**Electrical Characteristics**  $T_A = -40^{\circ}\text{C}$  to  $+85^{\circ}\text{C}$  (All typical values are at  $V_{CC} = 3.3\text{V}$ ,  $T_A = +25^{\circ}\text{C}$ )

Symbol	Parameter	Test Conditions	$V_{CC}$	Min	Typ.	Max	Unit
$V_{T+}$	Positive-going Input Threshold Voltage	—	1.65V	0.70	—	1.20	—
		—	2.3V	1.11	—	1.60	—
		—	3V	1.50	—	2.00	—
		—	4.5V	2.16	—	2.74	—
		—	5.5V	2.61	—	3.33	—
$V_{T-}$	Negative-going Input Threshold Voltage	—	1.65V	0.30	—	0.72	—
		—	2.3V	0.58	—	1.00	—
		—	3V	0.80	—	1.30	—
		—	4.5V	1.21	—	1.95	—
		—	5.5V	1.45	—	2.35	—
$\Delta V_T$	Hysteresis ( $V_{T+} - V_{T-}$ )	—	1.65V	0.30	—	0.62	—
		—	2.3V	0.40	—	0.80	—
		—	3V	0.35	—	1.00	—
		—	4.5V	0.55	—	1.10	—
		—	5.5V	0.60	—	1.20	—
$V_{OH}$	High Level Output Voltage	$I_{OH} = -100\mu\text{A}$	1.65V to 5.5V	$V_{CC} - 0.1$	—	—	V
		$I_{OH} = -4\text{mA}$	1.65V	1.2	—	—	
		$I_{OH} = -8\text{mA}$	2.3V	1.9	—	—	
		$I_{OH} = -12\text{mA}$	2.7V	2.2	—	—	
		$I_{OH} = -16\text{mA}$	3V	2.4	—	—	
		$I_{OH} = -24\text{mA}$		2.3	—	—	
		$I_{OH} = -32\text{mA}$	4.5V	3.8	—	—	
$V_{OL}$	Low-Level Output Voltage	$I_{OL} = 100\mu\text{A}$	1.65V to 5.5V	—	—	0.1	V
		$I_{OL} = 4\text{mA}$	1.65V	—	—	0.45	
		$I_{OL} = 8\text{mA}$	2.3V	—	—	0.3	
		$I_{OL} = 12\text{mA}$	2.7V	—	—	0.4	
		$I_{OL} = 16\text{mA}$	3V	—	—	0.4	
		$I_{OL} = 24\text{mA}$		—	—	0.55	
		$I_{OL} = 32\text{mA}$	4.5V	—	—	0.55	
$I_I$	Input Current	$V_I = 5.5\text{V}$ or GND	0 to 5.5V	—	—	$\pm 5$	$\mu\text{A}$
$I_{OFF}$	Power Down Leakage Current	$V_I$ or $V_O = 5.5\text{V}$	0	—	—	$\pm 10$	$\mu\text{A}$
$I_{CC}$	Supply Current	$V_I = 5.5\text{V}$ of GND $I_O = 0$	1.65V to 5.5V	—	—	10	$\mu\text{A}$
$\Delta I_{CC}$	Additional Supply Current	Input at $V_{CC} - 0.6\text{V}$	3V to 5.5V	—	—	500	$\mu\text{A}$

**Electrical Characteristics** (@ $T_A = -40^\circ\text{C}$  to  $+125^\circ\text{C}$ . All typical values are at  $V_{CC} = 3.3\text{V}$ ,  $T_A = +25^\circ\text{C}$ )

Symbol	Parameter	Test Conditions	$V_{CC}$	Min	Typ.	Max	Unit
$V_{T+}$	Positive-Going Input Threshold Voltage	—	1.65V	0.70	—	1.20	—
		—	2.3V	1.11	—	1.60	—
		—	3V	1.50	—	2.00	—
		—	4.5V	2.16	—	2.74	—
		—	5.5V	2.61	—	3.33	—
$V_{T-}$	Negative-Going Input Threshold Voltage	—	1.65V	0.30	—	0.75	—
		—	2.3V	0.58	—	1.03	—
		—	3V	0.80	—	1.33	—
		—	4.5V	1.21	—	1.95	—
		—	5.5V	1.45	—	2.35	—
$\Delta V_T$	Hysteresis ( $V_{T+} - V_{T-}$ )	—	1.65V	0.30	—	0.62	—
		—	2.3V	0.37	—	0.80	—
		—	3V	0.32	—	1.00	—
		—	4.5V	0.50	—	1.20	—
		—	5.5V	0.55	—	1.40	—
$V_{OH}$	High Level Output Voltage	$I_{OH} = -100\mu\text{A}$	1.65V to 5.5V	$V_{CC} - 0.1$	—	—	V
		$I_{OH} = -4\text{mA}$	1.65V	0.95	—	—	
		$I_{OH} = -8\text{mA}$	2.3V	1.7	—	—	
		$I_{OH} = -12\text{mA}$	2.7V	1.9	—	—	
		$I_{OH} = -16\text{mA}$	3V	2.2	—	—	
		$I_{OH} = -24\text{mA}$		2.0	—	—	
		$I_{OH} = -32\text{mA}$	4.5V	3.4	—	—	
$V_{OL}$	High-Level Input Voltage	$I_{OL} = 100\mu\text{A}$	1.65V to 5.5V	—	—	0.1	V
		$I_{OL} = 4\text{mA}$	1.65V	—	—	0.7	
		$I_{OL} = 8\text{mA}$	2.3V	—	—	0.45	
		$I_{OL} = 12\text{mA}$	2.7V	—	—	0.6	
		$I_{OL} = 16\text{mA}$	3V	—	—	0.6	
		$I_{OL} = 24\text{mA}$		—	—	0.8	
		$I_{OL} = 32\text{mA}$	4.5V	—	—	0.8	
$I_I$	Input Current	$V_I = 5.5\text{V}$ or GND	0 to 5.5V	—	—	$\pm 100$	$\mu\text{A}$
$I_{OFF}$	Power Down Leakage Current	$V_I$ or $V_O = 5.5\text{V}$	0	—	—	$\pm 200$	$\mu\text{A}$
$I_{CC}$	Supply Current	$V_I = 5.5\text{V}$ of GND $I_O = 0$	1.65V to 5.5V	—	—	200	$\mu\text{A}$
$\Delta I_{CC}$	Additional Supply Current	Input at $V_{CC} - 0.6\text{V}$	3V to 5.5V	—	—	5,000	$\mu\text{A}$

**Package Characteristics** (All typical values are at  $V_{CC} = 3.3V$ ,  $T_A = +25^{\circ}C$ )

Symbol	Parameter	Test Conditions	$V_{CC}$	Min	Typ.	Max	Unit
$\theta_{JA}$	Thermal Resistance Junction-to-Ambient	SOT25	(Note 9)	—	204	—	$^{\circ}C/W$
		SOT353		—	371	—	
		SOT553		—	231	—	
		X2-DFN0808-4		—	400	—	
		X1-DFN1010-6		—	435	—	
		X2-DFN1010-6		—	445	—	
		X2-DFN1409-6		—	470	—	
		X2-DFN1410-6		—	460	—	
$\theta_{JC}$	Thermal Resistance Junction-to-Case	SOT25	(Note 9)	—	52	—	$^{\circ}C/W$
		SOT353		—	143	—	
		SOT553		—	105	—	
		X2-DFN0808-4		—	225	—	
		X1-DFN1010-6		—	250	—	
		X2-DFN1010-6		—	250	—	
		X2-DFN1409-6		—	275	—	
		X2-DFN1410-6		—	265	—	

Note: 9. Test condition for each of the 8 package types: Device mounted on FR-4 substrate PC board, 2oz copper, with minimum recommended pad layout.

**Switching Characteristics**

$T_A = -40^{\circ}C$  to  $+85^{\circ}C$ ,  $C_L = 15pF$  as noted (See Figure 1)

Parameter	From Input	To Output	$V_{CC} = 1.8V \pm 0.15V$		$V_{CC} = 2.5V \pm 0.2V$		$V_{CC} = 3.3V \pm 0.3V$		$V_{CC} = 5V \pm 0.5V$		Unit
			Min	Max	Min	Max	Min	Max	Min	Max	
$t_{PD}$	A	Y	1.0	9.9	0.7	5.5	0.7	4.6	0.7	4.4	ns

$T_A = -40^{\circ}C$  to  $+85^{\circ}C$ ,  $C_L = 30$  or  $50pF$  as noted (See Figure 2)

Parameter	From Input	To Output	$V_{CC} = 1.8V \pm 0.15V$		$V_{CC} = 2.5V \pm 0.2V$		$V_{CC} = 3.3V \pm 0.3V$		$V_{CC} = 5V \pm 0.5V$		Unit
			Min	Max	Min	Max	Min	Max	Min	Max	
$t_{PD}$	A	Y	1.0	11	0.7	6.5	0.7	5.5	0.7	5	ns

$T_A = -40^{\circ}C$  to  $+125^{\circ}C$ ,  $C_L = 15 pF$  as noted (See Figure 1)

Parameter	From Input	To Output	$V_{CC} = 1.8V \pm 0.15V$		$V_{CC} = 2.5V \pm 0.2V$		$V_{CC} = 3.3V \pm 0.3V$		$V_{CC} = 5V \pm 0.5V$		Unit
			Min	Max	Min	Max	Min	Max	Min	Max	
$t_{PD}$	A	Y	1.0	12.5	0.7	7.5	0.7	6.5	0.7	5.5	ns

$T_A = -40^{\circ}C$  to  $+125^{\circ}C$ ,  $C_L = 30$  or  $50pF$  as noted (See Figure 2)

Parameter	From Input	To Output	$V_{CC} = 1.8V \pm 0.15V$		$V_{CC} = 2.5V \pm 0.2V$		$V_{CC} = 3.3V \pm 0.3V$		$V_{CC} = 5V \pm 0.5V$		Unit
			Min	Max	Min	Max	Min	Max	Min	Max	
$t_{PD}$	A	Y	1.0	14.0	0.7	8.5	0.7	7.0	0.7	6.5	ns

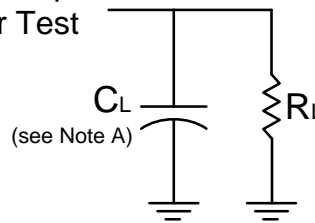
**Operating Characteristics**

T<sub>A</sub> = +25°C

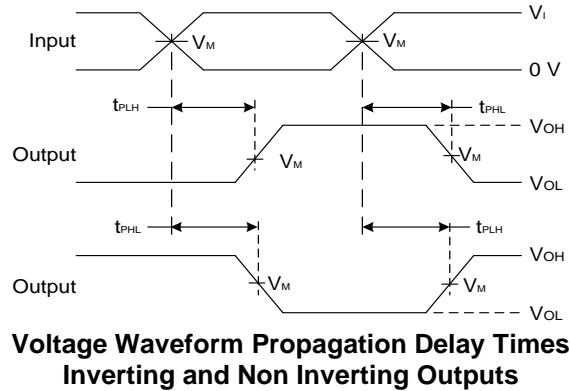
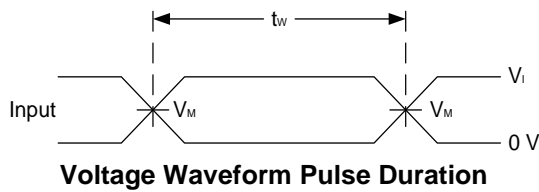
Parameter		Test Conditions	V <sub>CC</sub> = 1.8V	V <sub>CC</sub> = 2.5V	V <sub>CC</sub> = 3.3V	V <sub>CC</sub> = 5V	Unit
			Typ.	Typ.	Typ.	Typ.	
C <sub>PD</sub>	Power Dissipation Capacitance	f = 10 MHz	20	22	23	25	pF

**Parameter Measurement Information**

From Output Under Test



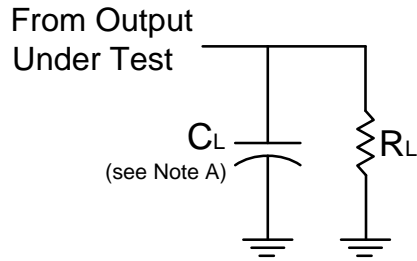
V <sub>CC</sub>	Inputs		V <sub>M</sub>	C <sub>L</sub>	R <sub>L</sub>
	V <sub>I</sub>	t <sub>R</sub> /t <sub>F</sub>			
1.8V±0.15V	V <sub>CC</sub>	≤2ns	V <sub>CC</sub> /2	15pF	1MΩ
2.5V±0.2V	V <sub>CC</sub>	≤2ns	V <sub>CC</sub> /2	15pF	1MΩ
3.3V±0.3V	3V	≤2.5ns	1.5V	15pF	1MΩ
5V±0.5V	V <sub>CC</sub>	≤2.5ns	V <sub>CC</sub> /2	15pF	1MΩ



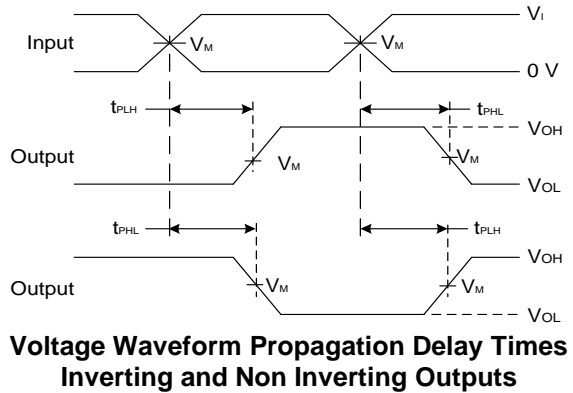
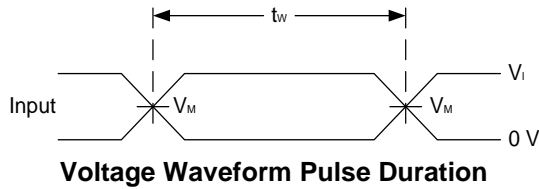
**Figure 1. Load Circuit and Voltage Waveforms**

- Notes:
- A. Includes test lead and test apparatus capacitance.
  - B. All pulses are supplied at pulse repetition rate ≤ 10MHz.
  - C. Inputs are measured separately one transition per measurement.
  - D. t<sub>PLH</sub> and t<sub>PHL</sub> are the same as t<sub>PD</sub>.

**Parameter Measurement Information** (Continued)



V <sub>CC</sub>	Inputs		V <sub>M</sub>	C <sub>L</sub>	R <sub>L</sub>
	V <sub>I</sub>	t <sub>R</sub> /t <sub>F</sub>			
1.8V±0.15V	V <sub>CC</sub>	≤2ns	V <sub>CC</sub> /2	30pF	1kΩ
2.5V±0.2V	V <sub>CC</sub>	≤2ns	V <sub>CC</sub> /2	30pF	500Ω
3.3V±0.3V	3V	≤2.5ns	1.5V	50pF	500Ω
5V±0.5V	V <sub>CC</sub>	≤2.5ns	V <sub>CC</sub> /2	50pF	500Ω

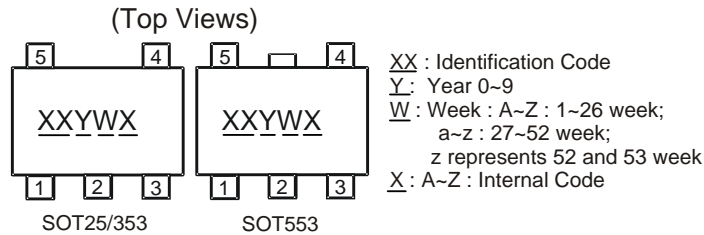


**Figure 2. Load Circuit and Voltage Waveforms**

- Notes:
- A. Includes test lead and test apparatus capacitance.
  - B. All pulses are supplied at pulse repetition rate ≤ 10 MHz.
  - C. Inputs are measured separately one transition per measurement.
  - D. t<sub>PLH</sub> and t<sub>PHL</sub> are the same as t<sub>PD</sub>.

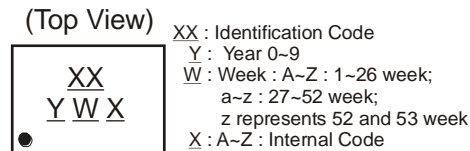
## Marking Information

### (1) SOT25, SOT353 and SOT553



Part Number	Package	Identification Code
74LVC1G17W5-7	SOT25	UR
74LVC1G17SE-7	SOT353	UR
74LVC1G17Z-7	SOT553	UR

### (2) DFN packages

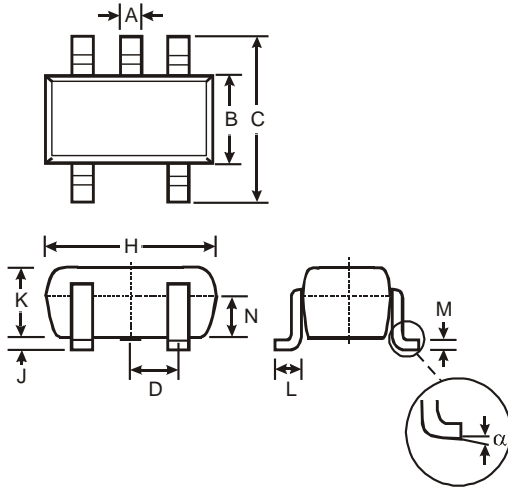


Part Number	Package	Identification Code
74LVC1G17FS3-7	X2-DFN0808-4	WR
74LVC1G17FW5-7	X1-DFN1010-6	V9
74LVC1G17FW4-7	X2-DFN1010-6	UR
74LVC1G17FX4-7	X2-DFN1409-6	MH
74LVC1G17FZ4-7	X2-DFN1410-6	UR

## Package Outline Dimensions

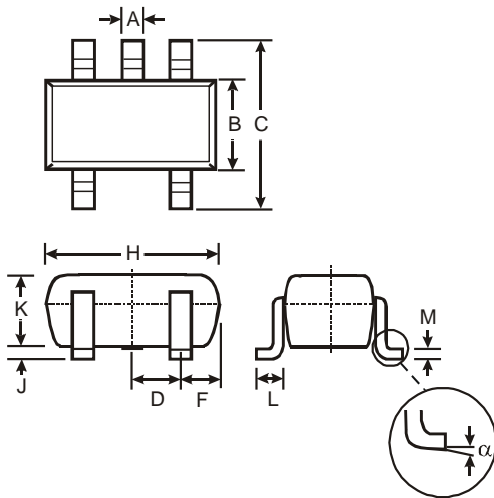
Please see <http://www.diodes.com/package-outlines.html> for the latest version.

### (1) Package Type: SOT25



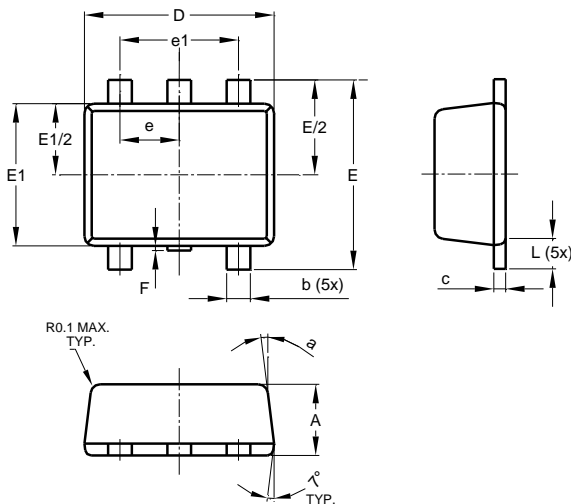
SOT25			
Dim	Min	Max	Typ
A	0.35	0.50	0.38
B	1.50	1.70	1.60
C	2.70	3.00	2.80
D	—	—	0.95
H	2.90	3.10	3.00
J	0.013	0.10	0.05
K	1.00	1.30	1.10
L	0.35	0.55	0.40
M	0.10	0.20	0.15
N	0.70	0.80	0.75
$\alpha$	0°	8°	—
All Dimensions in mm			

### (2) Package Type: SOT353



SOT353		
Dim	Min	Max
A	0.10	0.30
B	1.15	1.35
C	2.00	2.20
D	0.65 Typ	
F	0.40	0.45
H	1.80	2.20
J	0	0.10
K	0.90	1.00
L	0.25	0.40
M	0.10	0.22
$\alpha$	0°	8°
All Dimensions in mm		

### (3) Package Type: SOT553

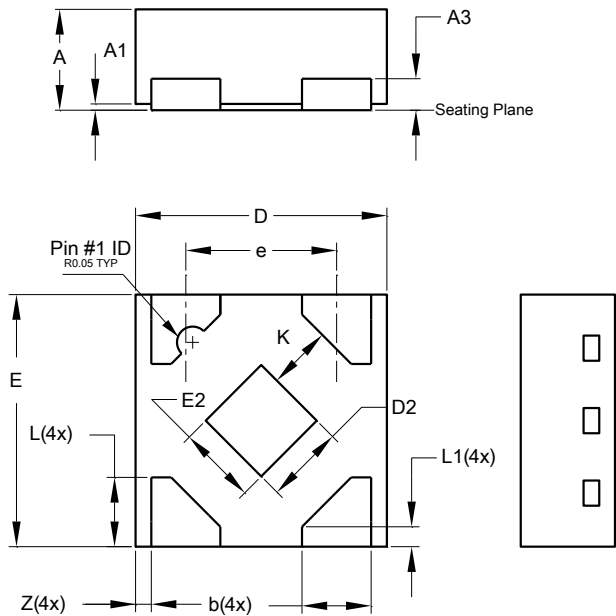


SOT553			
Dim	Min	Max	Typ
A	0.55	0.62	0.60
b	0.15	0.30	0.20
c	0.10	0.18	0.15
D	1.50	1.70	1.60
E	1.55	1.70	1.60
E1	1.10	1.25	1.20
e	0.50 BSC		
e1	1.00 BSC		
F	0.00	0.10	—
L	0.10	0.30	0.20
a	6°	8°	7°
All Dimensions in mm			

**Package Outline Dimensions** (Continued)

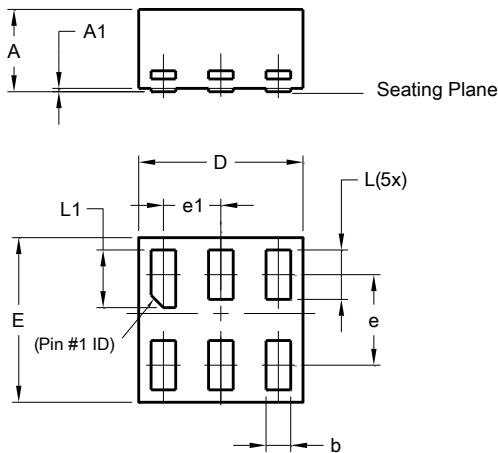
Please see <http://www.diodes.com/package-outlines.html> for the latest version.

**(4) Package Type X2-DFN0808-4**



X2-DFN0808-4			
Dim	Min	Max	Typ
A	0.25	0.35	0.30
A1	0	0.04	0.02
A3	-	-	0.13
b	0.17	0.27	0.22
D	0.75	0.85	0.80
D2	0.15	0.35	0.25
E	0.75	0.85	0.80
E2	0.15	0.35	0.25
e	-	-	0.48
K	0.20	-	-
L	0.17	0.27	0.22
L1	0.02	0.12	0.07
Z	-	-	0.05
All Dimensions in mm			

**(5) Package Type: X1-DFN1010-6**



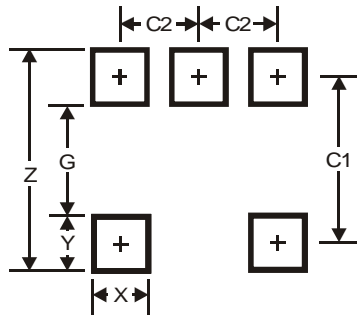
X1-DFN1010-6			
Dim	Min	Max	Typ
A	-	0.50	0.39
A1	-	0.04	-
b	0.12	0.20	0.15
D	0.95	1.050	1.00
E	0.95	1.050	1.00
e	0.55 BSC		
e1	0.35 BSC		
L	0.27	0.35	0.30
L1	0.32	0.40	0.35
All Dimensions in mm			



## Suggested Pad Layout

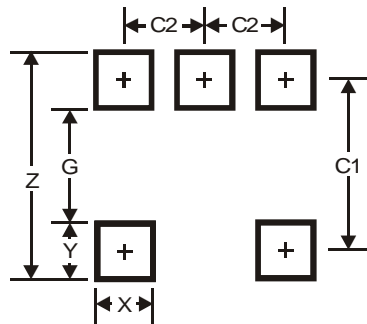
Please see <http://www.diodes.com/package-outlines.html> for the latest version.

### (1) Package Type: SOT25



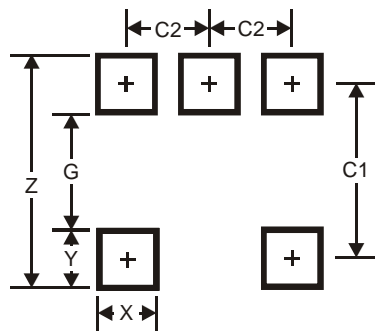
Dimensions	Value (in mm)
Z	3.20
G	1.60
X	0.55
Y	0.80
C1	2.40
C2	0.95

### (2) Package Type: SOT353



Dimensions	Value (in mm)
Z	2.5
G	1.3
X	0.42
Y	0.6
C1	1.9
C2	0.65

### (3) Package Type: SOT553

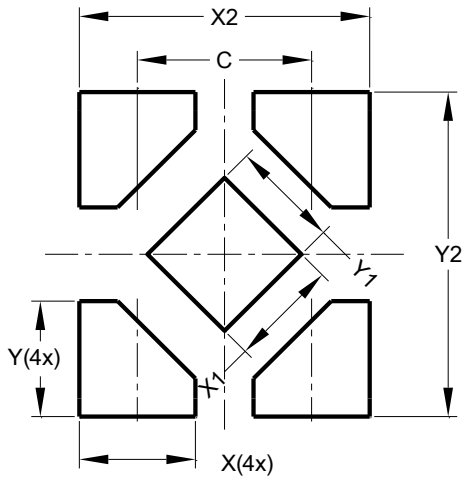


Dimensions	Value (in mm)
Z	2.2
G	1.2
X	0.375
Y	0.5
C1	1.7
C2	0.5

**Suggested Pad Layout** (Continued)

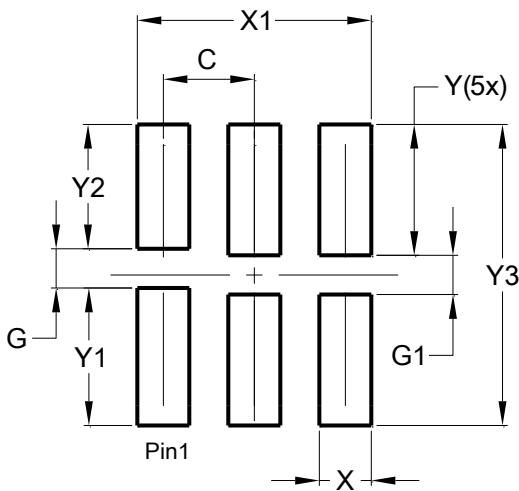
Please see <http://www.diodes.com/package-outlines.html> for the latest version.

**(4) Package Type X2-DFN0808-4**



Dimensions	Value (in mm)
C	0.480
X	0.320
X1	0.300
X2	0.800
Y	0.320
Y1	0.300
Y2	0.900

**(5) Package Type X1-DFN1010-6**

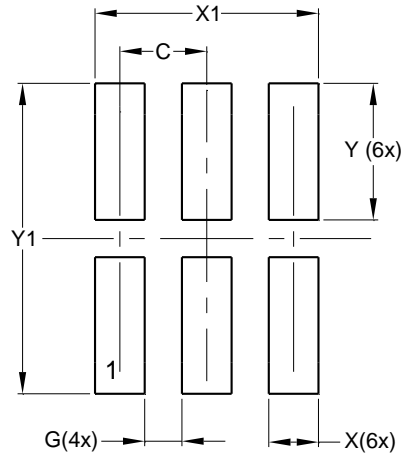


Dimensions	Value (in mm)
C	0.350
G	0.150
G1	0.150
X	0.200
X1	0.900
Y	0.500
Y1	0.525
Y2	0.475
Y3	1.150

**Suggested Pad Layout (Cont.)**

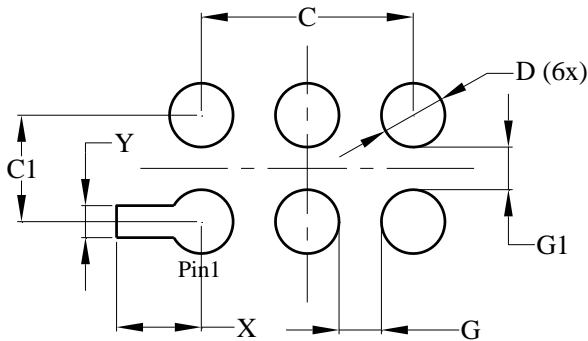
Please see <http://www.diodes.com/package-outlines.html> for the latest version.

**(6) Package Type X2-DFN1010-6**



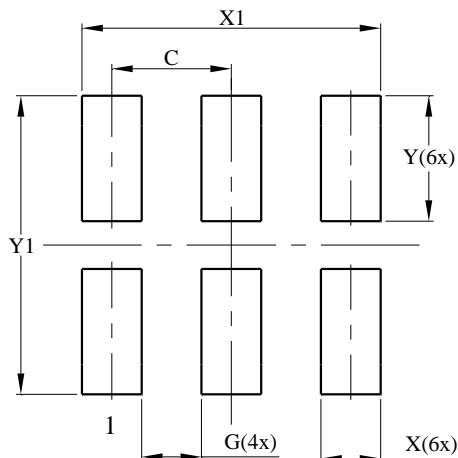
Dimensions	Value (in mm)
C	0.350
G	0.150
X	0.200
X1	0.900
Y	0.550
Y1	1.250

**(7) Package Type: X2-DFN1409-6 (Chip Scale Alternative)**



Dimensions	Value (in mm)
C	1.000
C1	0.500
D	0.300
G	0.200
G1	0.200
X	0.400
Y	0.150

**(8) Package Type: X2-DFN1410-6**



Dimensions	Value (in mm)
C	0.500
G	0.250
X	0.250
X1	1.250
Y	0.525
Y1	1.250

**IMPORTANT NOTICE**

DIODES INCORPORATED MAKES NO WARRANTY OF ANY KIND, EXPRESS OR IMPLIED, WITH REGARDS TO THIS DOCUMENT, INCLUDING, BUT NOT LIMITED TO, THE IMPLIED WARRANTIES OF MERCHANTABILITY AND FITNESS FOR A PARTICULAR PURPOSE (AND THEIR EQUIVALENTS UNDER THE LAWS OF ANY JURISDICTION).

Diodes Incorporated and its subsidiaries reserve the right to make modifications, enhancements, improvements, corrections or other changes without further notice to this document and any product described herein. Diodes Incorporated does not assume any liability arising out of the application or use of this document or any product described herein; neither does Diodes Incorporated convey any license under its patent or trademark rights, nor the rights of others. Any Customer or user of this document or products described herein in such applications shall assume all risks of such use and will agree to hold Diodes Incorporated and all the companies whose products are represented on Diodes Incorporated website, harmless against all damages.

Diodes Incorporated does not warrant or accept any liability whatsoever in respect of any products purchased through unauthorized sales channel.

Should Customers purchase or use Diodes Incorporated products for any unintended or unauthorized application, Customers shall indemnify and hold Diodes Incorporated and its representatives harmless against all claims, damages, expenses, and attorney fees arising out of, directly or indirectly, any claim of personal injury or death associated with such unintended or unauthorized application.

Products described herein may be covered by one or more United States, international or foreign patents pending. Product names and markings noted herein may also be covered by one or more United States, international or foreign trademarks.

This document is written in English but may be translated into multiple languages for reference. Only the English version of this document is the final and determinative format released by Diodes Incorporated.

**LIFE SUPPORT**

Diodes Incorporated products are specifically not authorized for use as critical components in life support devices or systems without the express written approval of the Chief Executive Officer of Diodes Incorporated. As used herein:

A. Life support devices or systems are devices or systems which:

1. are intended to implant into the body, or
2. support or sustain life and whose failure to perform when properly used in accordance with instructions for use provided in the labeling can be reasonably expected to result in significant injury to the user.

B. A critical component is any component in a life support device or system whose failure to perform can be reasonably expected to cause the failure of the life support device or to affect its safety or effectiveness.



Customers represent that they have all necessary expertise in the safety and regulatory ramifications of their life support devices or systems, and acknowledge and agree that they are solely responsible for all legal, regulatory and safety-related requirements concerning their products and any use of Diodes Incorporated products in such safety-critical, life support devices or systems, notwithstanding any devices- or systems-related information or support that may be provided by Diodes Incorporated. Further, Customers must fully indemnify Diodes Incorporated and its representatives against any damages arising out of the use of Diodes Incorporated products in such safety-critical, life support devices or systems.

Copyright © 2018, Diodes Incorporated

[www.diodes.com](http://www.diodes.com)

## Looking for pricing, stock, or lifecycle information?

Click below to explore more details on WIN SOURCE:

-  [View 74LVC1G17FW4-7 on WIN SOURCE](#)
-  [Diodes Incorporated Information](#)

## Optimize Your Supply Chain with WIN SOURCE Solutions

-  Global Sourcing Solution
-  Obsolete Management
-  Cost Control Management
-  Shortage Management
-  Alternative Solution
-  Excess Inventory Management