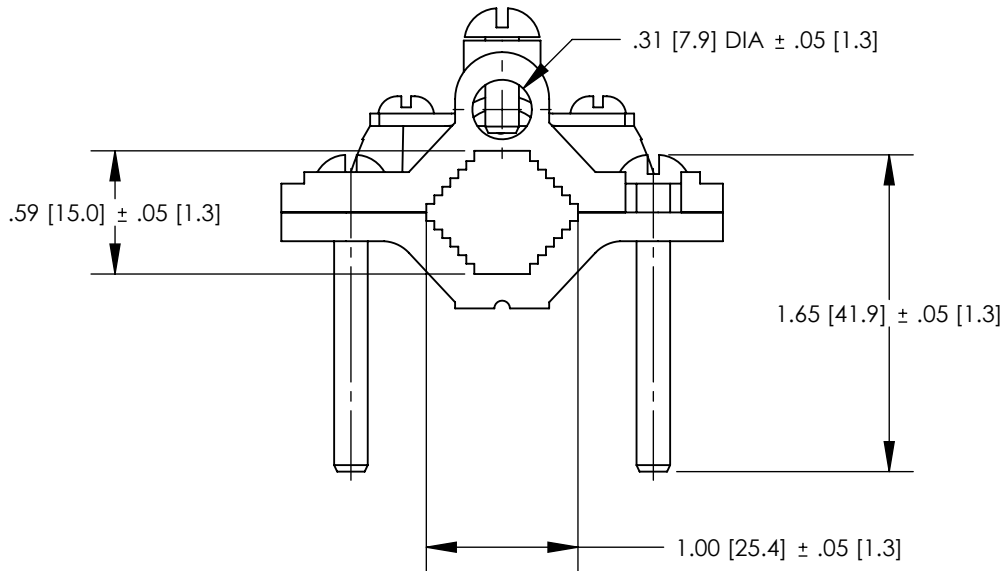
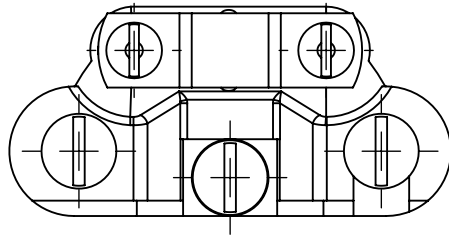




# THE DATASHEET OF GPCA2-1D-C

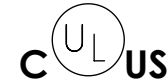


THIS COPY IS PROVIDED ON A RESTRICTED BASIS AND IS NOT TO BE USED IN ANY WAY DETRIMENTAL TO THE INTERESTS OF PANDUIT CORP.



NOTES:

1. MATERIAL:  
 BODY - BRONZE (GUN METAL)  
 SCREW - STEEL, ZINC PLATED (GPCA2-1)  
 PHOSPHORUS BRONZE (GPCA2-1D)
2. PARTS ARE cULus LISTED TO UL467 AS  
 GROUNDING & BONDING EQUIPMENT.
3. RATED FOR DIRECT BURIAL (GPCA2-1D-C ONLY)
4. SEE WWW.PANDUIT.COM FOR PART NUMBER  
 SUFFIX DESIGNATION FOR PACKAGE SIZE.



GPCA2-1D ONLY



FINISHED PART NUMBER	DESCRIPTION	WATER PIPE	GROUNDING WIRE
GPCA2-1	GROUND CLAMP FOR ARMORED CABLE	1/2" - 1"	8 - 4 STR
GPCA2-1D	GROUND CLAMP FOR ARMORED CABLE, DB	1/2" - 1"	8 - 4 STR

REV	DATE	BY	CHK	APR	DESCRIPTION	ECN
00	7/12	JHNU	SRBI	RGB	DRAWING RELEASED	10J018AG-JC

TITLE BRONZE GROUND PIPE CLAMP - 1/2"-1" ARMORED CABLE CLAMP CUSTOMER DRAWING	
ITEM REVISION NAME 10J018AG/00	
DATASET FILE NAME 10J018AG-JC/00.SLDDRW	
UNLESS OTHERWISE SPECIFIED, DIMENSIONAL TOLERANCES ARE: IN [mm] .X ± .XXX ± .XX ± ANGLES ±	
THIRD ANGLE PROJECTION 	
DRAWN BY JHNU	DATE 7/12
CHK SRBI	SCALE N/A
DRAWING NUMBER 10J018AG-JC	
SHEET 1 OF 1	
SIZE A	

## Looking for pricing, stock, or lifecycle information?

Click below to explore more details on WIN SOURCE:

-  [View GPCA2-1D-C on WIN SOURCE](#)
-  [Panduit Corp Information](#)

## Optimize Your Supply Chain with WIN SOURCE Solutions

-  Global Sourcing Solution
-  Obsolete Management
-  Cost Control Management
-  Shortage Management
-  Alternative Solution
-  Excess Inventory Management