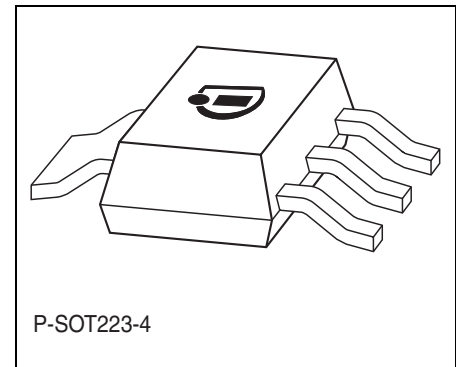


Features

- Dual output: 5 V and 15 V
- High input voltage range: up to 45 V
- High output current capability
- High output voltage accuracy
- Very low current consumption
- Short circuit protected
- Overtemperature protected
- Thermal and space optimized package
- Industrial type



Functional Description

The **TLE 4484 G** is a monolithic integrated voltage regulator providing two output voltages, output Q5 is a 5 V output for loads up to 25 mA and output Q15 is a 15 V output providing up to 30 mA. The device is based on the Infineon double isolated bipolar technology **DOPL** with high accuracy polysilicon resistors and is available in the **P-SOT223-4-2** package.

The **TLE 4484 G** is designed to supply systems with a microcontroller (5 V) and a standard MOS-driver-IC (15 V) under severe conditions and is therefore equipped with additional protection functions.

Both outputs are protected against overload, short circuit to ground and to the input voltage. A build-in shutdown-circuit protects the device against overheat.

The IC operates in a wide input voltage range up to 45 V. The output voltages are regulated to $V_{Q5} = 5\text{ V}$ and $V_{Q15} = 15\text{ V}$ with a drop voltage less than 1.5 V. The standard **P-SOT223-4-2** package is especially suitable for this kind of application, saves PCB-board-space and reduces system cost.

Type	Ordering Code	Package
TLE 4484 G	Q67006-A9396	P-SOT223-4-2

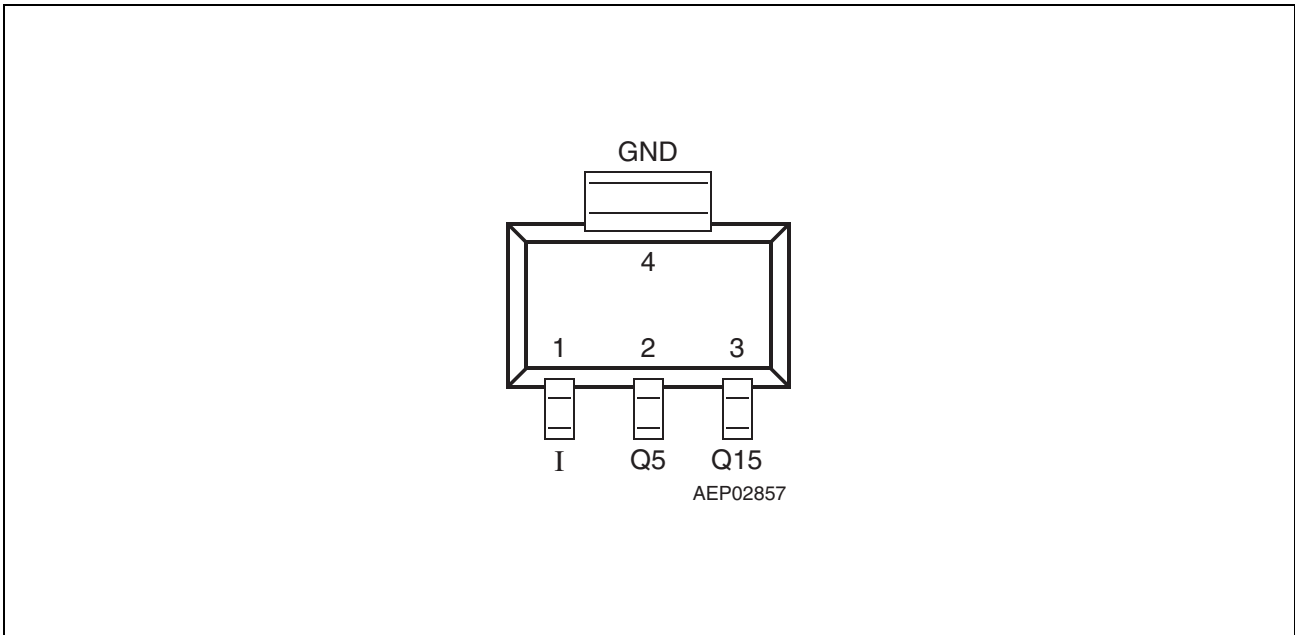


Figure 1 Pin Configuration (top view)

Table 1 Pin Definitions and Functions

Pin No.	Symbol	Function
1	I	Input voltage; block to ground directly at the IC with a ceramic capacitor.
2	Q5	Output voltage for microcontroller and logic circuit; block to ground with a ceramic capacitor.
3	Q15	Output voltage for MOS driver circuit; block to ground with a ceramic capacitor.
4	GND	Ground

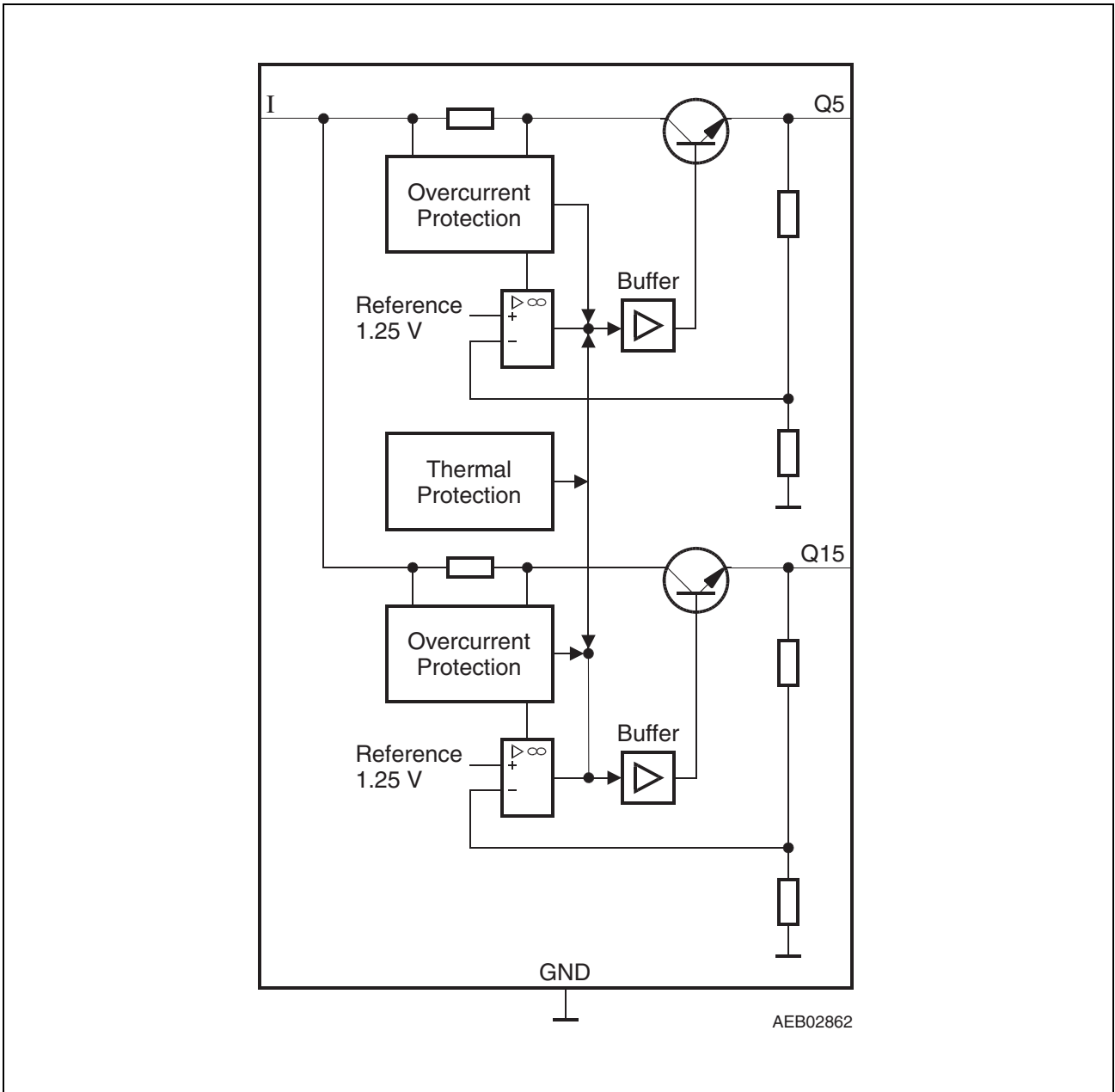


Figure 2 **Block Diagram**

Table 2 Absolute Maximum Ratings

Parameter	Symbol	Limit Values		Unit	Remarks
		Min.	Max.		
Input					
Voltage	V_I	-0.3	45	V	–
Current	I_I	–	–	–	internally limited
Output Q5					
Voltage	V_{Q5}	-1	45	V	$V_{Q5} < V_I$
Current	I_{Q5}	–	–	–	internally limited
Output Q15					
Voltage	V_{Q15}	-1	45	V	$V_{Q15} < V_I$
Current	I_{Q15}	–	–	–	internally limited
GND					
Current	I_{GND}	-5	5	mA	–
Temperatures					
Junction temperature	T_j	-50	150	°C	1)
Storage temperature	T_{stg}	-50	150	°C	–
ESD-Protection (Human Body Model)					
All pins	V_{ESD}	-2	2	kV	

1) The overtemperature protection will be set to 150 °C min. The voltage regulator should not be operated continuously at 170 °C as device reliability will be reduced to 500 h.

Attention: Stresses above those listed here may cause permanent damage to the device. Exposure to absolute maximum rating conditions for extended periods may affect device reliability.

Table 3 Operating Range

Parameter	Symbol	Limit Values		Unit	Remarks
		Min.	Max.		
Output Q5 input voltage	V_{I1}	6.5	45	V	–
Output Q15 input voltage	V_{I1}	16.5	45	V	–
Junction temperature	T_j	-40	150	°C	–
Thermal Resistances					
Junction ambient	$R_{th,j-a}$	–	165	K/W	zero airflow, zero heat sink area

Note: In the operating range, the functions given in the circuit description are fulfilled.

Table 4 Electrical Characteristics

17 V < V_I < 42 V; -40 °C < T_j < 125 °C; all voltages with respect to ground; positive current defined flowing out of pin; unless otherwise specified.

Parameter	Symbol	Limit Values			Unit	Test Condition
		Min.	Typ.	Max.		
Current Consumption						
Quiescent current; $I_q = I_I - (I_{Q5} + I_{Q15})$	I_q	–	450	550	μA	$I_{Q5} = 1 \text{ mA};$ $I_{Q15} = 1 \text{ mA}$
Quiescent current; $I_q = I_I - (I_{Q5} + I_{Q15})$	I_q	–	0.76	1	mA	$I_{Q5} = 25 \text{ mA};$ $I_{Q15} = 30 \text{ mA}$
5-V Output Q5						
Output voltage	V_{Q5}	4.85	5.00	5.15	V	$I_{Q5} = 10 \text{ mA};$ $T_j = 25 \text{ °C}$
Output voltage	V_{Q5}	4.75	–	5.25	V	$1 \text{ mA} < I_{Q5} < 25 \text{ mA}$
Output current limitation	I_{Q5}	16	40	–	mA	¹⁾
Output current limitation	I_{Q5}	30	–	–	mA	$T_j = 25 \text{ °C}$
Output drop voltage; $V_{DRQ5} = V_I - V_{Q5}$	V_{DRQ5}	–	0.9	1.5	V	$I_{Q5} = 25 \text{ mA}^{1)}$
Load regulation	ΔV_{Q5}	–	25	50	mV	$1 \text{ mA} < I_{Q5} < 25 \text{ mA};$ $V_I = 17 \text{ V}$
Line regulation	ΔV_{Q5}	–	20	50	mV	$I_{Q5} = 1 \text{ mA};$ $7 \text{ V} < V_I < 27 \text{ V}$
Power Supply Ripple Rejection	$PSRR5$	–	50	–	dB	$20 \text{ Hz} < f_r < 20 \text{ kHz};$ $V_r = 5 \text{ Vpp}$
Value of output cap.	C_{Q5}	1.0	–	–	μF	–
ESR of output cap.	R_{ESRQ5}	–	–	2.0	Ω	–
15 V Output Q15						
Output voltage	V_{Q15}	14.4	15.0	15.6	V	$I_{Q15} = 15 \text{ mA};$ $T_j = 25 \text{ °C}$
Output voltage	V_{Q15}	14.25	–	15.75	V	$1 \text{ mA} < I_{Q15} < 30 \text{ mA}$
Output current limitation	I_{Q15}	40	–	–	mA	¹⁾
Output drop voltage; $V_{DRQ15} = V_I - V_{Q15}$	V_{DRQ15}	–	0.9	1.5	V	$I_{Q15} = 30 \text{ mA}^{1)}$
Load regulation	ΔV_{Q15}	–	10	50	mV	$1 \text{ mA} < I_{Q15} < 30 \text{ mA};$ $V_I = 17 \text{ V}$

Table 4 Electrical Characteristics (cont'd)

17 V < V_I < 42 V; -40 °C < T_j < 125 °C; all voltages with respect to ground; positive current defined flowing out of pin; unless otherwise specified.

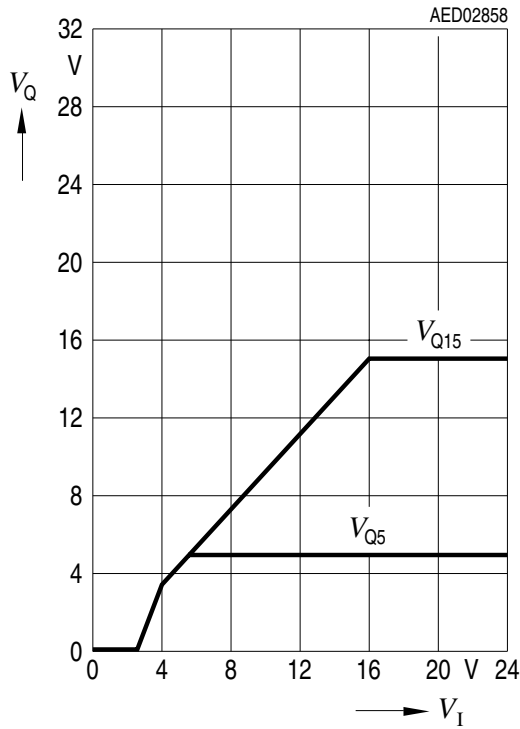
Parameter	Symbol	Limit Values			Unit	Test Condition
		Min.	Typ.	Max.		
Line regulation	ΔV_{Q15}	–	80	150	mV	$I_{Q15} = 5 \text{ mA};$ $16 \text{ V} < V_I < 36 \text{ V}$
Power Supply Ripple Rejection	$PSRR_{15}$	–	50	–	dB	$20 \text{ Hz} < f_r < 20 \text{ kHz};$ $V_r = 5 \text{ Vpp}$
Value of output cap.	C_{Q15}	1.0	–	–	μF	–
ESR of output cap.	R_{ESRQ15}	–	–	4.0	Ω	–

1) Measured when the output voltage V_Q has dropped 100 mV from the nominal value.

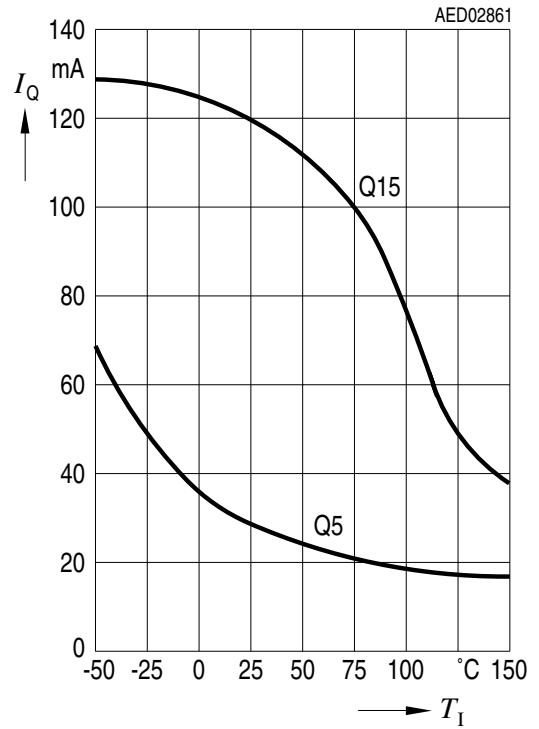
Note: The listed characteristics are ensured over the operating range of the integrated circuit. Typical characteristics specify mean values expected over the production spread. If not otherwise specified, typical characteristics apply at $T_A = 25 \text{ °C}$ and the given supply voltage.

Typical Performance Characteristics

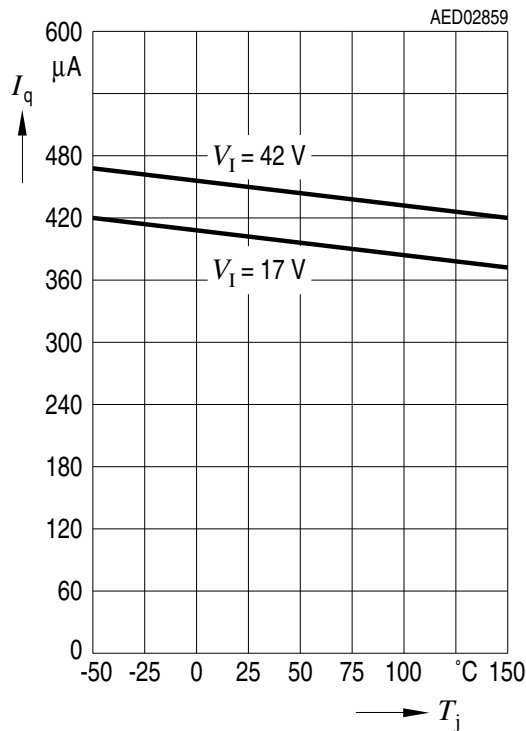
Output Voltage V_{Q5} and V_{Q15} versus Input Voltage V_I



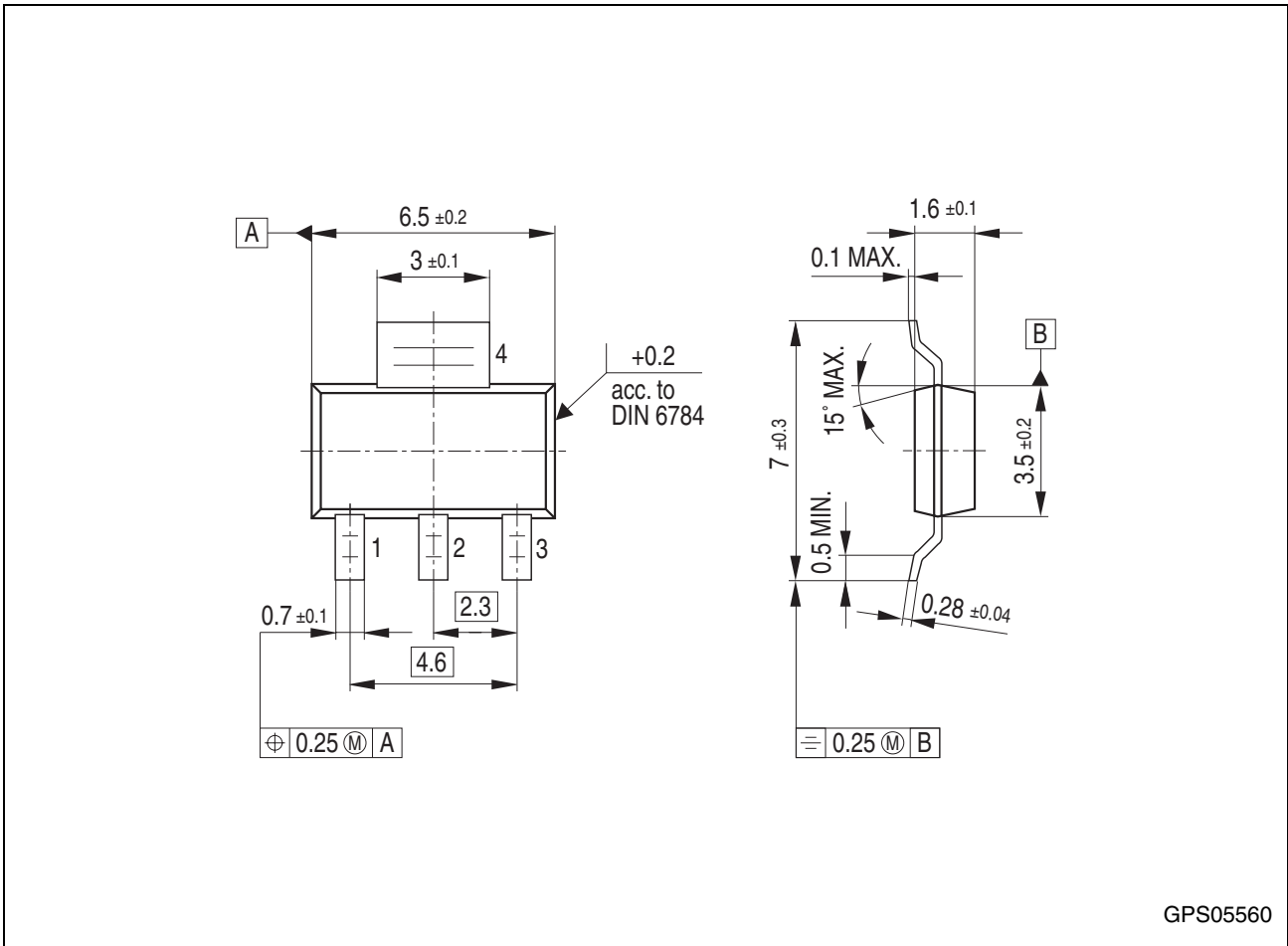
Output Current Limit I_{Q5} and I_{Q15} versus Junction Temperature T_j



Current Consumption I_q versus Junction Temperature T_j



Package Outlines



GPS05560

Figure 4 P-SOT223-4-2 (Plastic Small Outline Transistor)

You can find all of our packages, sorts of packing and others in our Infineon Internet Page "Products": <http://www.infineon.com/products>.

SMD = Surface Mounted Device

Dimensions in mm

Edition 2004-01-01

**Published by Infineon Technologies AG,
St.-Martin-Strasse 53,
81669 München, Germany**

**© Infineon Technologies AG 2004.
All Rights Reserved.**

Attention please!

The information herein is given to describe certain components and shall not be considered as a guarantee of characteristics.

Terms of delivery and rights to technical change reserved.

We hereby disclaim any and all warranties, including but not limited to warranties of non-infringement, regarding circuits, descriptions and charts stated herein.

Information

For further information on technology, delivery terms and conditions and prices please contact your nearest Infineon Technologies Office (www.infineon.com).

Warnings

Due to technical requirements components may contain dangerous substances. For information on the types in question please contact your nearest Infineon Technologies Office.

Infineon Technologies Components may only be used in life-support devices or systems with the express written approval of Infineon Technologies, if a failure of such components can reasonably be expected to cause the failure of that life-support device or system, or to affect the safety or effectiveness of that device or system. Life support devices or systems are intended to be implanted in the human body, or to support and/or maintain and sustain and/or protect human life. If they fail, it is reasonable to assume that the health of the user or other persons may be endangered.

Looking for pricing, stock, or lifecycle information?

Click below to explore more details on WIN SOURCE:

- ⊖ [View TLE4484G on WIN SOURCE](#)
- ⊖ [Infineon Technologies Information](#)

Optimize Your Supply Chain with WIN SOURCE Solutions

- ✓ Global Sourcing Solution
- ✓ Obsolete Management
- ✓ Cost Control Management
- ✓ Shortage Management
- ✓ Alternative Solution
- ✓ Excess Inventory Management