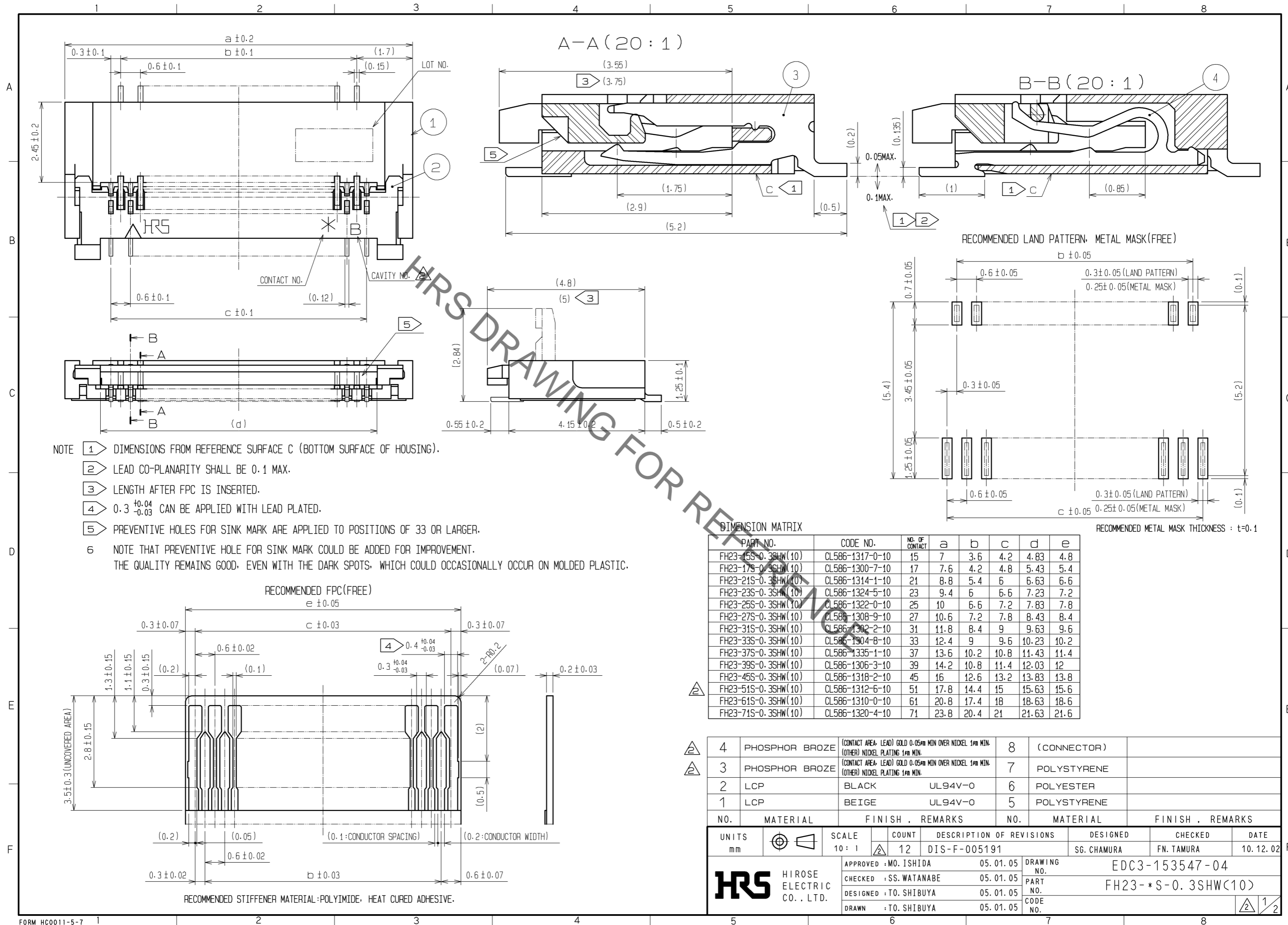




**THE DATASHEET OF
FH23-25S-0.3SHW(10)**



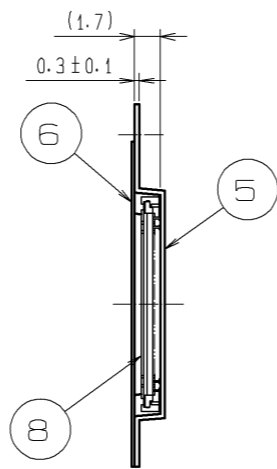
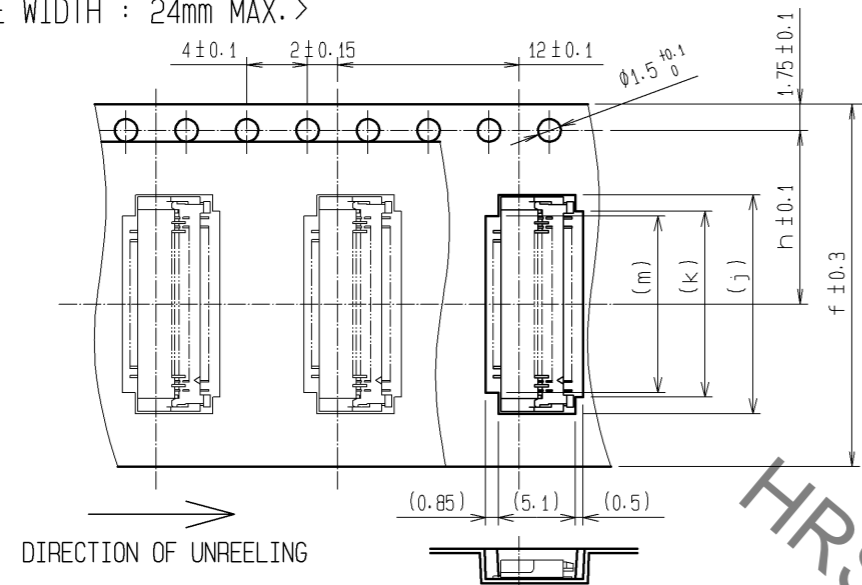
Aug.1.2019 Copyright 2019 HIROSE ELECTRIC CO., LTD. All Rights Reserved.
 In case of consideration for using Automotive equipment / device which demand high reliability, kindly contact our sales window correspondents.



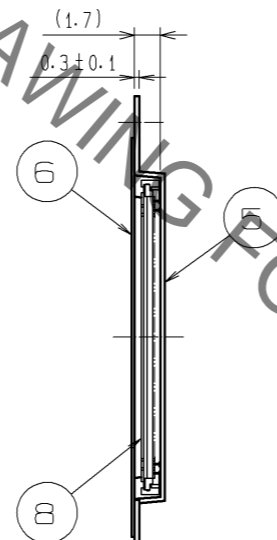
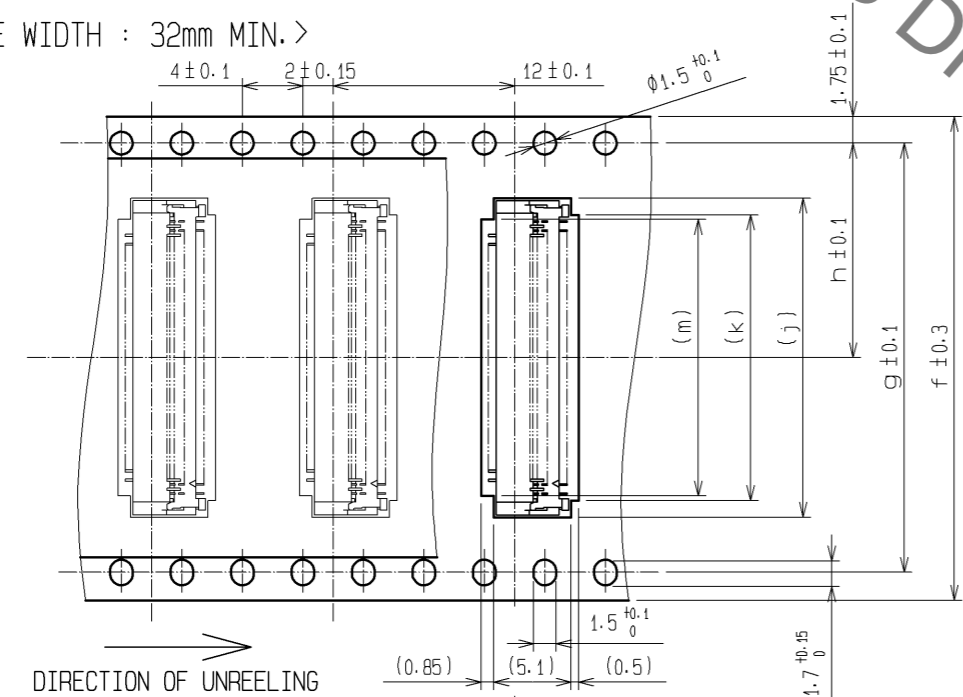
Aug.1.2019 Copyright 2019 HIROSE ELECTRIC CO., LTD. All Rights Reserved.
In case of consideration for using Automotive equipment / device which demand high reliability, kindly contact our sales window correspondents.

EMBOSSED CARRIER TAPE DIMENSION(2:1)

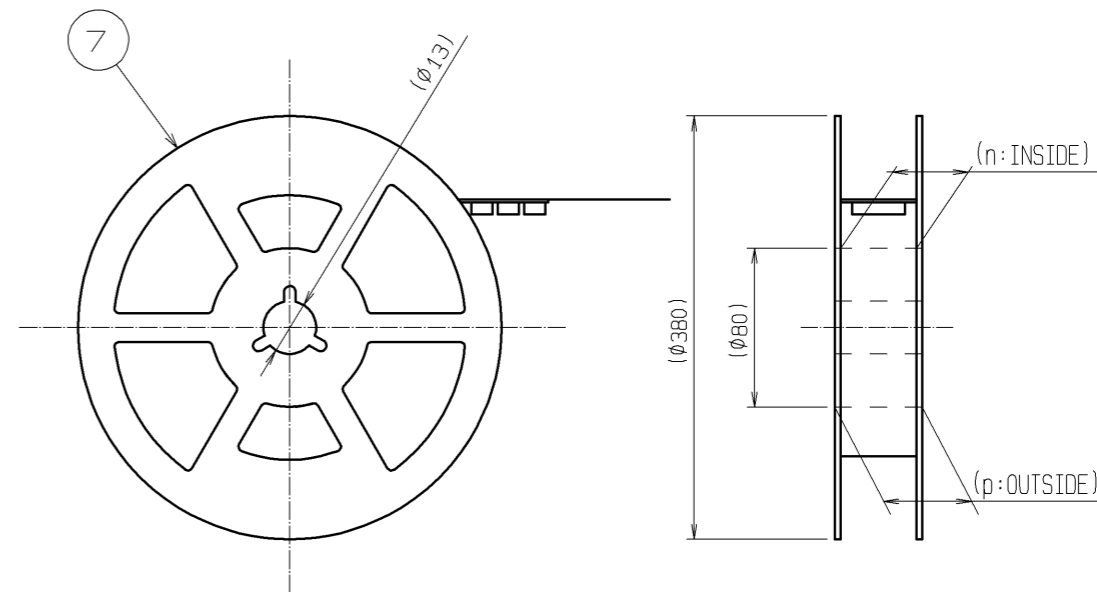
<TAPE WIDTH : 24mm MAX.>



<TAPE WIDTH : 32mm MIN.>



REEL DIMENSION(FREE)

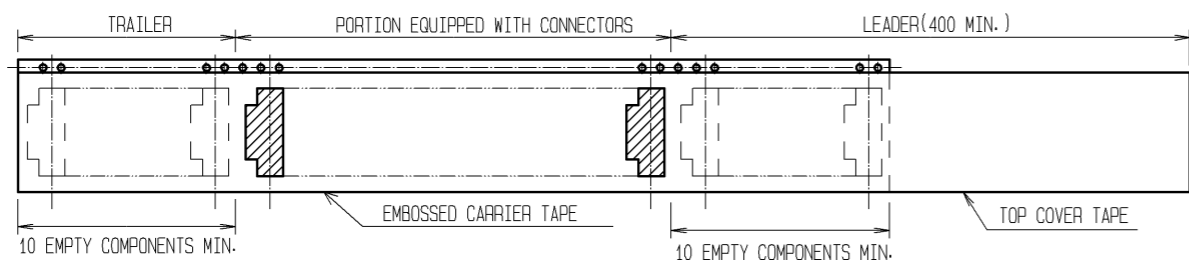


NOTES 7 THE DIMENSIONS IN PARENTHESES ARE FOR REFERENCE.
8 PER REEL : 2500 CONNECTORS.
9 REFER TO JIS C 0806 (PACKAGING OF COMPONENTS FOR AUTOMATIC HANDLING.)

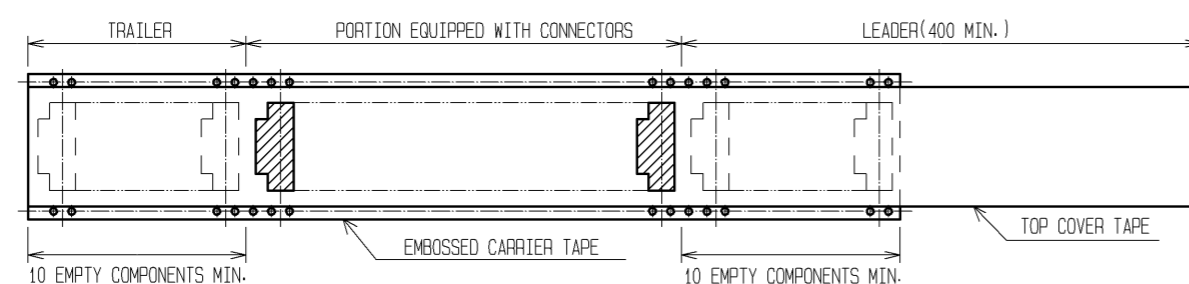
DIMENSION MATRIX

PART NO.	CODE NO.	NO. OF CONTACT	f	g	h	j	k	m	n	p
FH23-15S-0.3SHW(10)	CL586-1317-0-10	15	16		7.5	7.3	5.1	4.5	17.4	21.4
FH23-17S-0.3SHW(10)	CL586-1300-7-10	17	16		7.5	7.9	5.7	5.1	17.4	21.4
FH23-21S-0.3SHW(10)	CL586-1314-1-10	21	16		7.5	9.1	6.9	6.3	17.4	21.4
FH23-23S-0.3SHW(10)	CL586-1324-5-10	23	24		11.5	9.7	7.5	6.9	25.4	29.4
FH23-25S-0.3SHW(10)	CL586-1322-0-10	25	24		11.5	10.3	8.1	7.5	25.4	29.4
FH23-27S-0.3SHW(10)	CL586-1308-9-10	27	24		11.5	10.9	8.7	8.1	25.4	29.4
FH23-31S-0.3SHW(10)	CL586-1302-2-10	31	24		11.5	12.1	9.9	9.3	25.4	29.4
FH23-33S-0.3SHW(10)	CL586-1304-8-10	33	24		11.5	12.7	10.5	9.9	25.4	29.4
FH23-37S-0.3SHW(10)	CL586-1335-1-10	37	24		11.5	13.9	11.7	11.1	25.4	29.4
FH23-39S-0.3SHW(10)	CL586-1306-3-10	39	24		11.5	14.5	12.3	11.7	25.4	29.4
FH23-45S-0.3SHW(10)	CL586-1318-2-10	45	24		11.5	16.3	14.1	13.5	25.4	29.4
FH23-51S-0.3SHW(10)	CL586-1312-6-10	51	32	28.4	14.2	18.1	15.9	15.3	33.4	37.4
FH23-61S-0.3SHW(10)	CL586-1310-0-10	61	32	28.4	14.2	21.1	18.9	18.3	33.4	37.4
FH23-71S-0.3SHW(10)	CL586-1320-4-10	71	44	40.4	20.2	24.1	21.9	21.3	45.4	49.4

<TAPE WIDTH : 24mm MAX.>



<TAPE WIDTH : 32mm MIN.>



HRS	DRAWING NO.	EDC3-153547-04
	PART NO.	FH23-*S-0.3SHW(10)
	CODE NO.	

Looking for pricing, stock, or lifecycle information?

Click below to explore more details on WIN SOURCE:

- ⊖ [View FH23-25S-0.3SHW\(10\) on WIN SOURCE](#)
- ⊖ [Hirose Electric Co Ltd Information](#)

Optimize Your Supply Chain with WIN SOURCE Solutions

- ✓ Global Sourcing Solution
- ✓ Obsolete Management
- ✓ Cost Control Management
- ✓ Shortage Management
- ✓ Alternative Solution
- ✓ Excess Inventory Management