

## 0.75A Switch PWM Boost Regulator with Internal Schottky Diode and Undervoltage Lockout

### Features

- Internal Schottky Diode
- 2.5V to 10V Input Voltage
- Output Voltage Adjustable to 34V
- 750 mA Switch Current
- 1.2MHz PWM Operation
- Stable with Ceramic Capacitors
- <1% Line and Load Regulation
- Low Output Voltage Ripple
- <1  $\mu$ A Shutdown Current
- Undervoltage Lockout
- Output Overvoltage Protection
- Overtemperature Protection
- 2 mm x 2 mm 8-pin DFN Package
- $-40^{\circ}\text{C}$  to  $+125^{\circ}\text{C}$  Junction Temperature Range

### Applications

- Organic EL Power Supply
- TFT LCD Bias Supply
- 12V DSL Power Supply
- CCD Bias Supply
- SEPIC Converters

### General Description

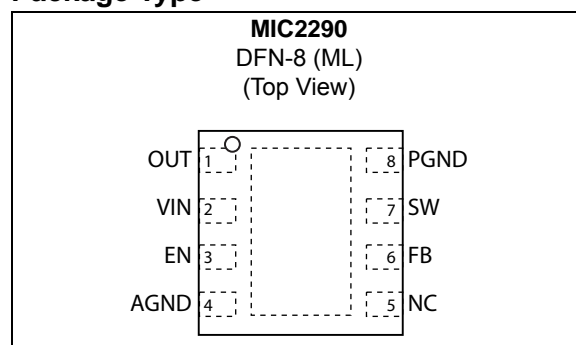
The MIC2290 is a 1.2 MHz, PWM, boost-switching regulator housed in the small 2 mm x 2 mm 8-pin DFN package. The MIC2290 features an internal Schottky diode that reduces circuit board area and total solution cost. High power density is achieved with the MIC2290's internal 34V/0.5A switch, allowing it to power large loads in a tiny footprint.

The MIC2290 implements a constant frequency 1.2 MHz PWM control scheme. The high frequency operation saves board space by reducing external component sizes. The fixed frequency PWM topology also reduces switching noise and ripple to the input power source.

The MIC2290's wide 2.5V to 10V input voltage allows direct operation from 3- to 4-cell NiCad/NiMH/Alkaline batteries, 1-and 2-cell Li-Ion batteries, as well as fixed 3.3V and 5V systems.

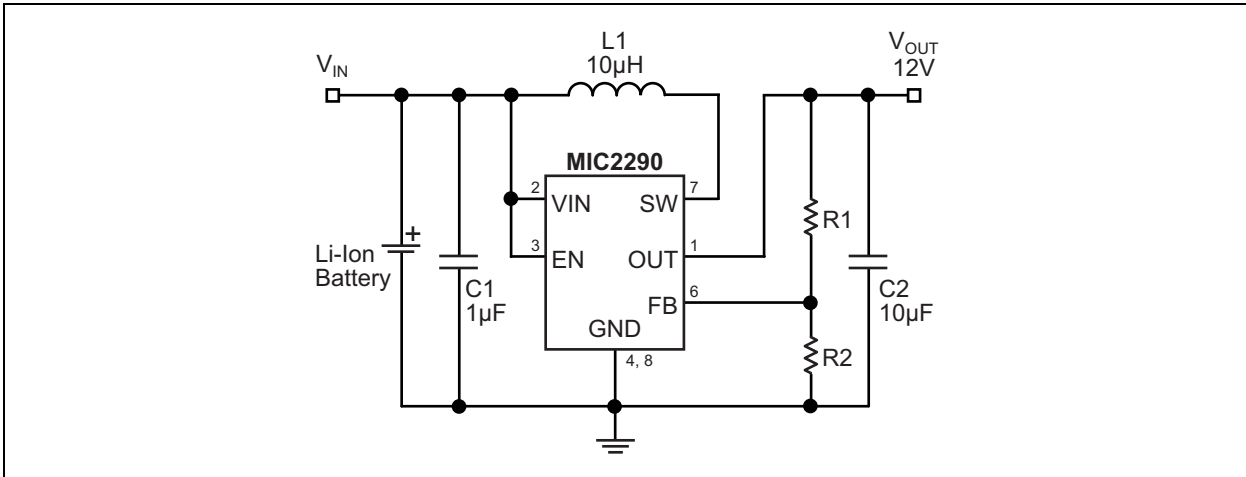
The MIC2290 is available in a low-profile 2 mm x 2 mm 8-pin DFN leadless package and operates from a junction temperature range of  $-40^{\circ}\text{C}$  to  $+125^{\circ}\text{C}$ .

### Package Type

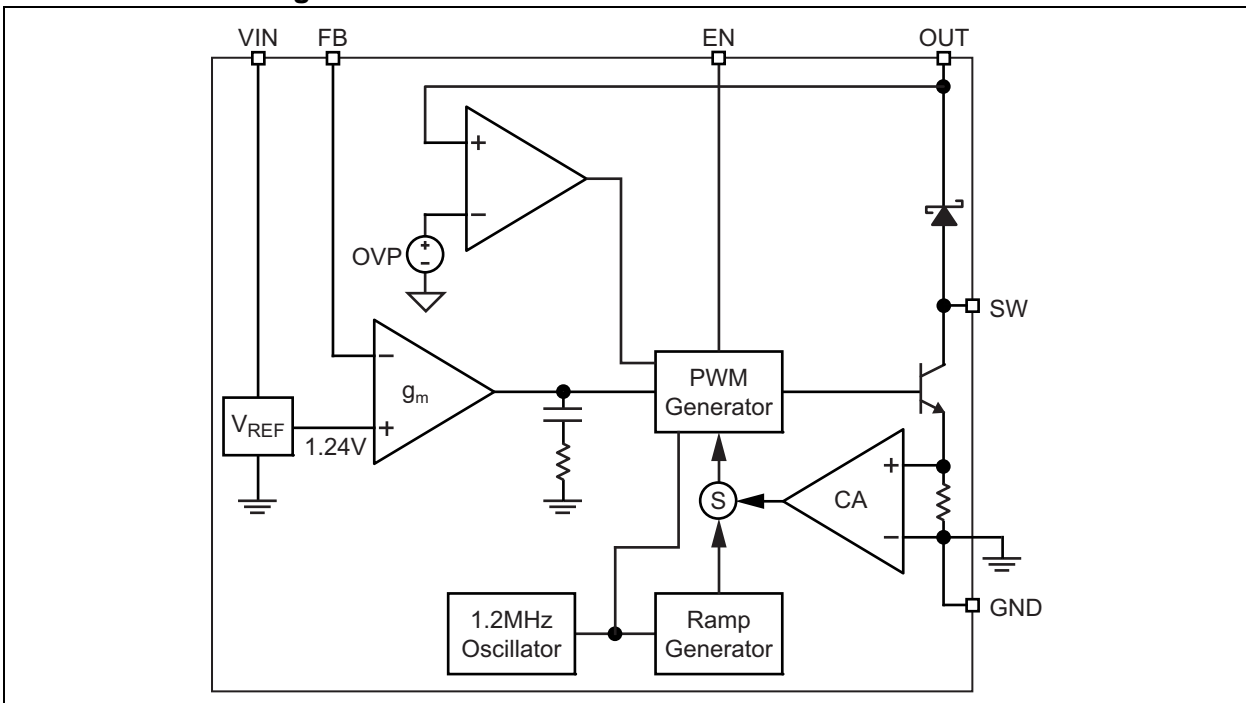


# MIC2290

## Typical Application Circuit



## Functional Block Diagram



## 1.0 ELECTRICAL CHARACTERISTICS

### Absolute Maximum Ratings †

Supply Voltage ( $V_{IN}$ )	+12V
Switch Voltage ( $V_{SW}$ )	-0.3V to +34V
Enable Pin Voltage ( $V_{EN}$ )	-0.3V to $V_{IN}$
FB Voltage ( $V_{FB}$ )	+6V
Switch Current ( $I_{SW}$ )	2A
ESD Rating (Note 1)	2 kV

### Operating Ratings ††

Supply Voltage ( $V_{IN}$ )	+2.5V to +10V
-----------------------------	---------------

† **Notice:** Stresses above those listed under “Absolute Maximum Ratings” may cause permanent damage to the device. This is a stress rating only and functional operation of the device at those or any other conditions above those indicated in the operational sections of this specification is not intended. Exposure to maximum rating conditions for extended periods may affect device reliability.

†† **Notice:** The device is not guaranteed to function outside its operating ratings.

**Note 1:** Devices are ESD sensitive. Handling precautions are recommended. Human body model, 1.5 k $\Omega$  in series with 100 pF.

## ELECTRICAL CHARACTERISTICS

**Electrical Characteristics:**  $T_A = +25^\circ\text{C}$ ,  $V_{IN} = V_{EN} = 3.6\text{V}$ ,  $V_{OUT} = 15\text{V}$ ,  $I_{OUT} = 40\text{ mA}$ , unless otherwise noted.

**Bold** values indicate  $-40^\circ\text{C} \leq T_J \leq \pm 125^\circ\text{C}$ . [Note 1](#)

Parameter	Sym.	Min.	Typ.	Max.	Units	Conditions
Supply Voltage Range	$V_{IN}$	<b>2.5</b>	—	<b>10</b>	V	—
Undervoltage Lockout	$V_{UVLO}$	1.8	2.1	2.4	V	—
Quiescent Current	$I_{VIN}$	—	2.5	5	mA	$V_{FB} = 2\text{V}$ , not switching
Shutdown Current	$I_{SD}$	—	0.2	<b>1</b>	$\mu\text{A}$	$V_{EN} = 0\text{V}$ , <a href="#">Note 2</a>
Feedback Voltage	$V_{FB}$	1.227	1.24	1.252	V	$\pm 1\%$
		<b>1.215</b>	—	<b>1.265</b>		$\pm 2\%$ (overtemperature)
Feedback Input Current	$I_{FB}$	—	-450	—	nA	$V_{FB} = 1.24\text{V}$
Line Regulation	—	—	0.1	<b>1</b>	%	$3\text{V} \leq V_{IN} \leq 5\text{V}$
Load Regulation	—	—	0.2	—		$5\text{ mA} \leq I_{OUT} \leq 20\text{ mA}$
Maximum Duty Cycle	$D_{MAX}$	<b>85</b>	90	—	%	—
Switch Current Limit	$I_{SW}$	—	0.75	—	A	—
Switch Saturation Voltage	$V_{SW}$	—	450	—	mV	$I_{SW} = 0.5\text{A}$
Switch Leakage Current	$I_{SW}$	—	0.01	<b>5</b>	$\mu\text{A}$	$V_{EN} = 0\text{V}$ , $V_{SW} = 10\text{V}$
Enable Threshold	$V_{EN}$	<b>1.5</b>	—	—	V	Turn on.
		—	—	<b>0.4</b>		Turn off.
Enable Pin Current	$I_{EN}$	—	20	40	$\mu\text{A}$	$V_{EN} = 10\text{V}$
Oscillator Frequency	$f_{SW}$	1.05	1.2	1.35	MHz	—
Schottky Forward Drop	$V_D$	—	0.8	1	V	$I_D = 150\text{ mA}$
Schottky Leakage Current	$I_{RD}$	—	—	<b>4</b>	$\mu\text{A}$	$V_R = 30\text{V}$

**Note 1:** Specification for packaged product only.

**2:**  $I_{SD} = I_{VIN}$ .

# MIC2290

## ELECTRICAL CHARACTERISTICS (CONTINUED)

**Electrical Characteristics:**  $T_A = +25^\circ\text{C}$ ,  $V_{IN} = V_{EN} = 3.6\text{V}$ ,  $V_{OUT} = 15\text{V}$ ,  $I_{OUT} = 40\text{ mA}$ , unless otherwise noted.

**Bold** values indicate  $-40^\circ\text{C} \leq T_J \leq \pm 125^\circ\text{C}$ . [Note 1](#)

Parameter	Sym.	Min.	Typ.	Max.	Units	Conditions
Overvoltage Protection	$V_{OVP}$	30	32	34	V	Nominal voltage
Overtemperature Threshold Shutdown	$T_J$	—	150	—	$^\circ\text{C}$	Hysteresis
		—	10	—		—

**Note 1:** Specification for packaged product only.

**2:**  $I_{SD} = I_{VIN}$ .

## TEMPERATURE SPECIFICATIONS

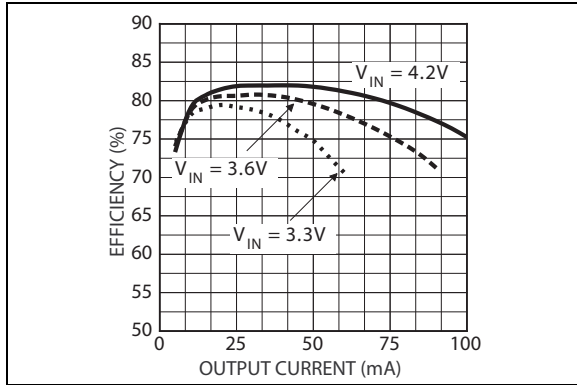
Parameters	Sym.	Min.	Typ.	Max.	Units	Conditions
<b>Temperature Ranges</b>						
Storage Temperature Range	$T_S$	-65	—	+150	°C	—
Ambient Operating Temperature Range	$T_J$	-40	—	+125	°C	—
<b>Package Thermal Resistances</b>						
Thermal Resistance, 2x2 DFN 8-Ld	$\theta_{JA}$	—	93	—	°C/W	—

**Note 1:** The maximum allowable power dissipation is a function of ambient temperature, the maximum allowable junction temperature and the thermal resistance from junction to air (i.e.,  $T_A$ ,  $T_J$ ,  $\theta_{JA}$ ). Exceeding the maximum allowable power dissipation will cause the device operating junction temperature to exceed the maximum +125°C rating. Sustained junction temperatures above +125°C can impact the device reliability.

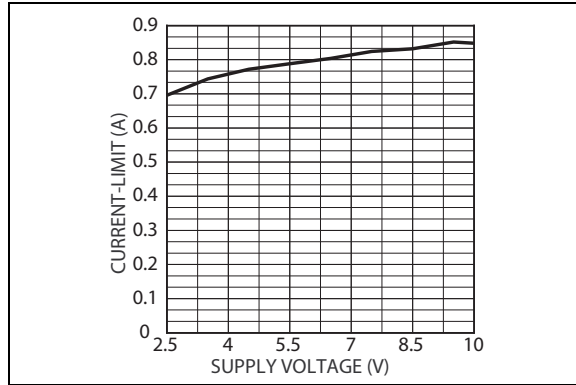
# MIC2290

## 2.0 TYPICAL PERFORMANCE CURVES

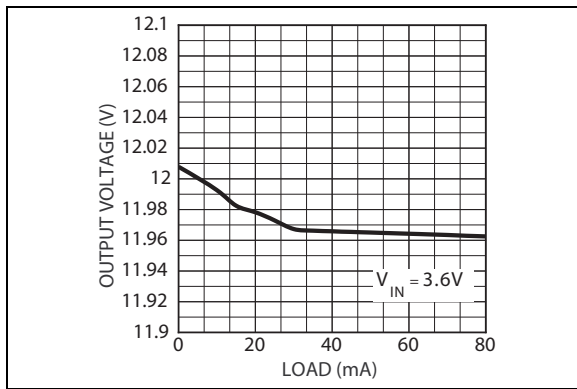
**Note:** The graphs and tables provided following this note are a statistical summary based on a limited number of samples and are provided for informational purposes only. The performance characteristics listed herein are not tested or guaranteed. In some graphs or tables, the data presented may be outside the specified operating range (e.g., outside specified power supply range) and therefore outside the warranted range.



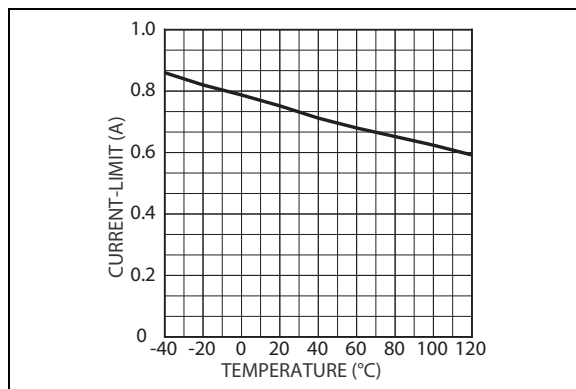
**FIGURE 2-1:** Efficiency at  $V_{OUT} = 12V$ .



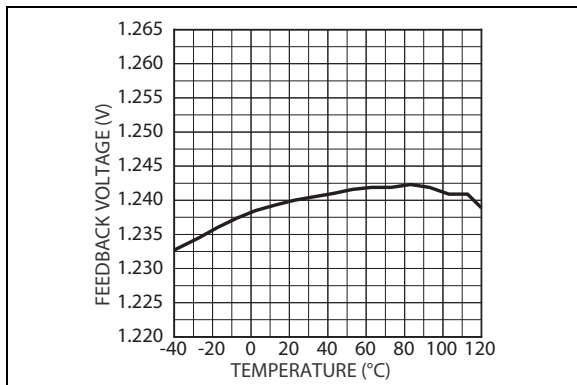
**FIGURE 2-4:** Current-Limit vs. Supply Voltage.



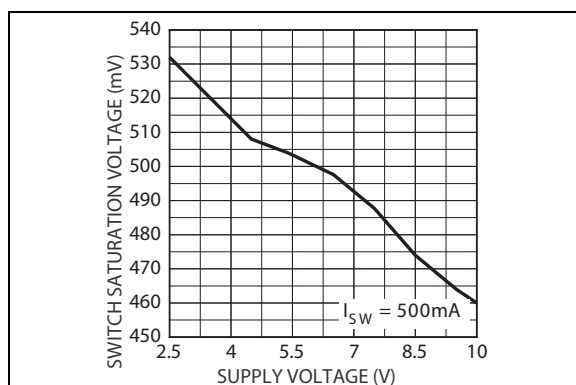
**FIGURE 2-2:** Load Regulation.



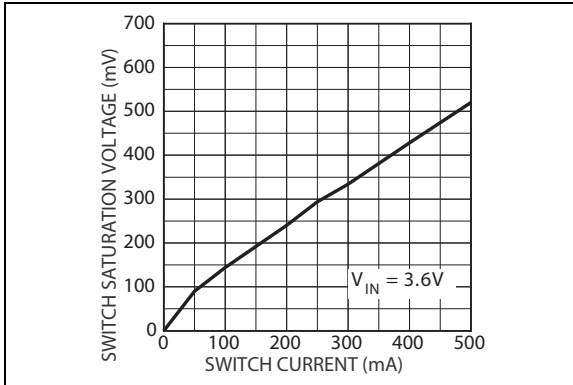
**FIGURE 2-5:** Current-Limit vs. Temperature.



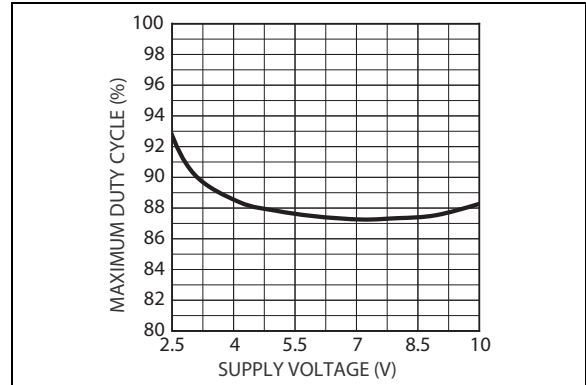
**FIGURE 2-3:** Feedback Voltage vs. Temperature.



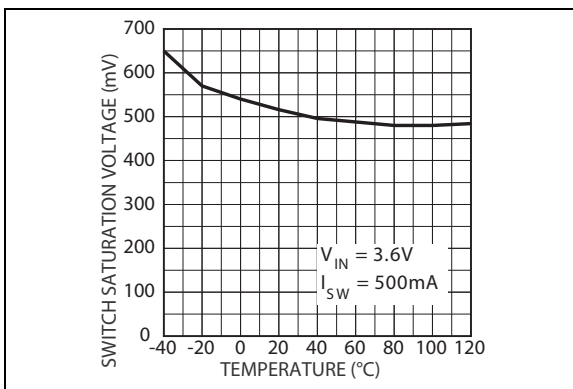
**FIGURE 2-6:** Switch Saturation vs. Supply Voltage.



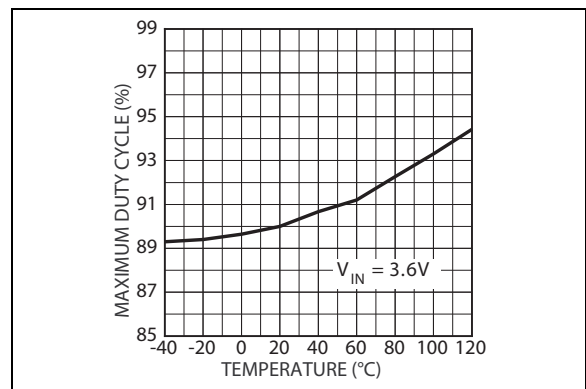
**FIGURE 2-7:** Switch Saturation vs. Current.



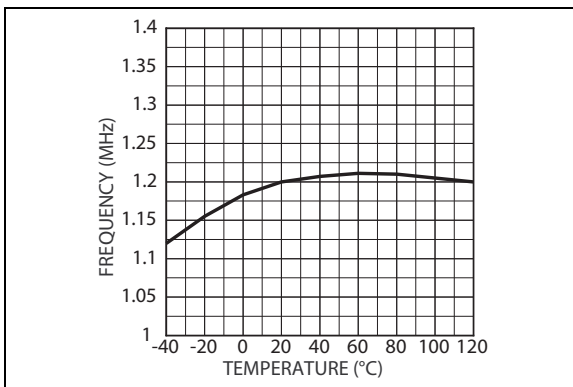
**FIGURE 2-10:** Maximum Duty Cycle vs. Supply Voltage.



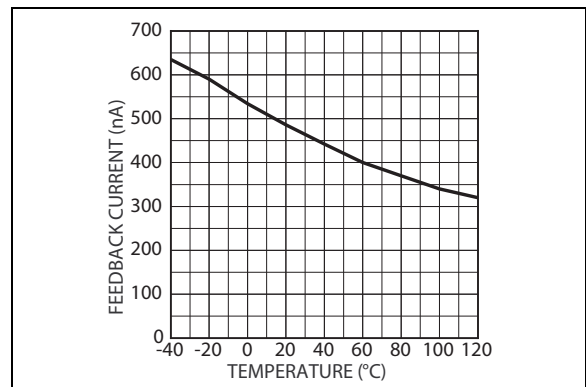
**FIGURE 2-8:** Switch Saturation Voltage vs. Temperature.



**FIGURE 2-11:** Maximum Duty Cycle vs. Temperature.

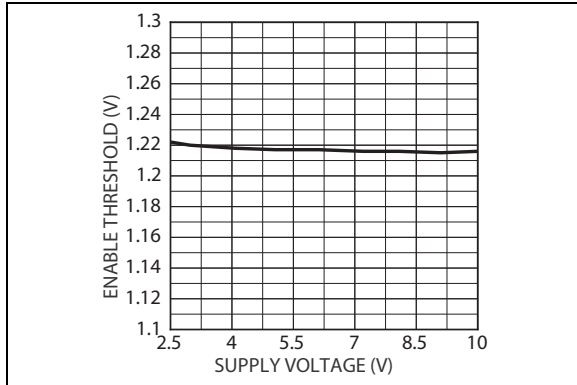


**FIGURE 2-9:** Frequency vs. Temperature.

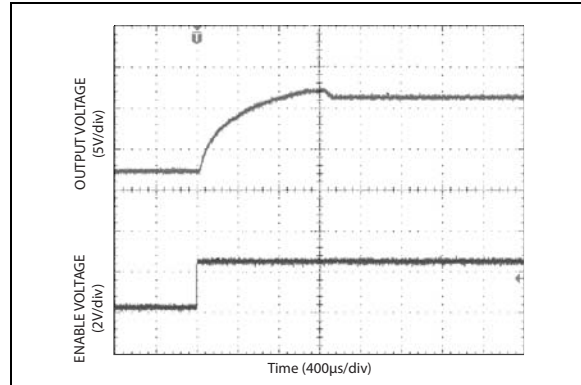


**FIGURE 2-12:** FB Pin Current vs. Temperature.

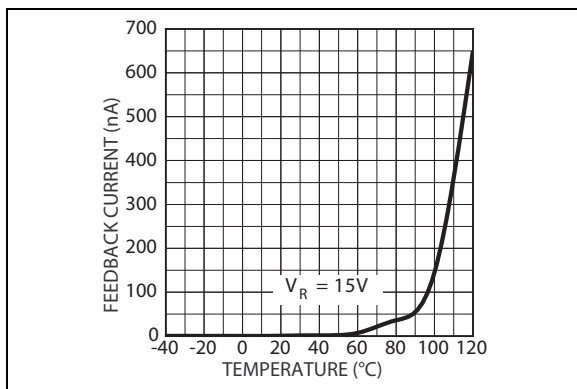
# MIC2290



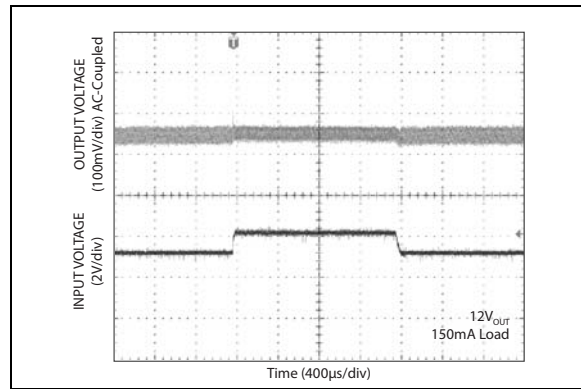
**FIGURE 2-13:** Enable Threshold vs. Supply Voltage.



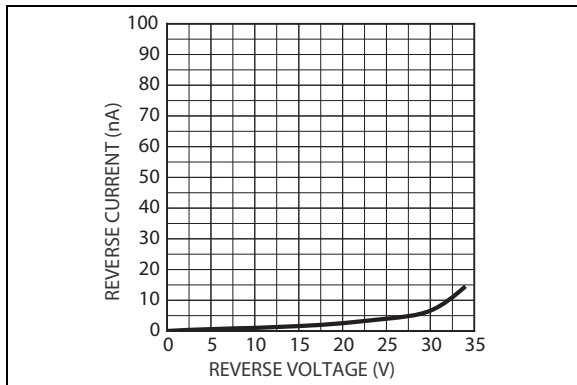
**FIGURE 2-16:** Start-Up from Enable.



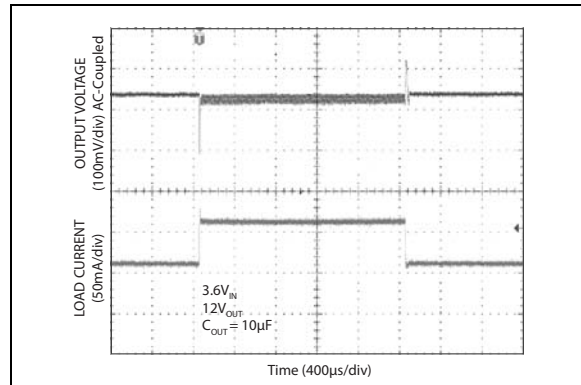
**FIGURE 2-14:** Feedback Current Leakage vs. Temperature.



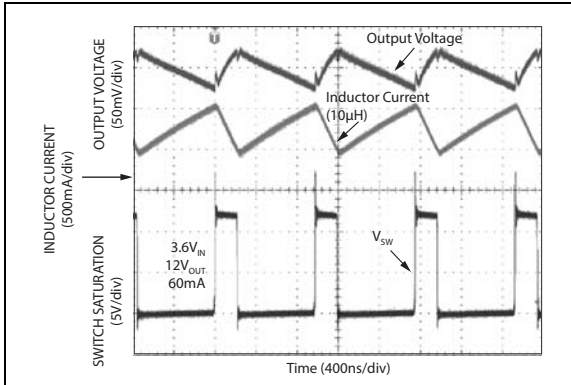
**FIGURE 2-17:** Line Transient Response.



**FIGURE 2-15:** Internal Schottky Diode Reverse Leakage vs. Reverse Voltage.



**FIGURE 2-18:** Load Transient Response.



**FIGURE 2-19:** Output Voltage Ripple and Switching Waveforms.

# MIC2290

---

## 3.0 PIN DESCRIPTIONS

The descriptions of the pins are listed in [Table 3-1](#).

**TABLE 3-1: PIN FUNCTION TABLE**

Pin Number	Pin Name	Description
1	OUT	Output pin (Output): Output voltage. Connect to FB resistor divider. This pin has an internal 34V output overvoltage clamp. See <a href="#">Functional Block Diagram</a> and the <a href="#">Applications</a> section for more information.
2	VIN	Supply (Input): 2.5V to 10V input voltage.
3	EN	Enable (Input): Logic-high enables regulator. Logic-low shuts down regulator. Do not leave floating.
4	AGND	Analog ground.
5	NC	No connect (no internal connection to die).
6	FB	Feedback (Input): Output voltage sense node. Connect feedback resistor network to this pin.
7	SW	Switch node (Input): Internal power Bipolar collector.
8	PGND	Power ground.
EP	GND	Ground (Return): Exposed backside pad.

## 4.0 FUNCTIONAL DESCRIPTION

The MIC2290 is a constant-frequency, PWM current-mode boost regulator (see the [Functional Block Diagram](#)). The MIC2290 is composed of an oscillator, slope compensation ramp generator, current amplifier,  $g_m$  error amplifier, PWM generator, and a 0.5A bipolar output transistor. The oscillator generates a 1.2 MHz clock. The clock's two functions are to trigger the PWM generator that turns on the output transistor and to reset the slope compensation ramp generator. The current amplifier is used to measure the switch current by amplifying the voltage signal from the internal sense resistor. The output of the current amplifier is summed with the output of the slope compensation ramp generator. This summed current-loop signal is fed to one of the inputs of the PWM generator.

The  $g_m$  error amplifier measures the feedback voltage through the external feedback resistors and amplifies the error between the detected signal and the 1.24V reference voltage. The output of the  $g_m$  error amplifier provides the voltage-loop signal that is fed to the other input of the PWM generator. When the current-loop signal exceeds the voltage-loop signal, the PWM generator turns off the bipolar output transistor. The next clock period initiates the next switching cycle, maintaining the constant-frequency current-mode PWM control.

# MIC2290

## 5.0 APPLICATION INFORMATION

### 5.1 DC-to-DC PWM Boost Conversion

The MIC2290 is a constant frequency boost converter. It operates by taking a DC input voltage and regulating a higher DC output voltage. Figure 5-1 shows a typical circuit. Boost regulation is achieved by turning on an internal switch that draws current through the inductor (L1). When the switch turns off, the inductor's magnetic field collapses, causing the current to be discharged into the output capacitor through an internal Schottky diode (D1). Voltage regulation is achieved through pulse-width modulation (PWM).

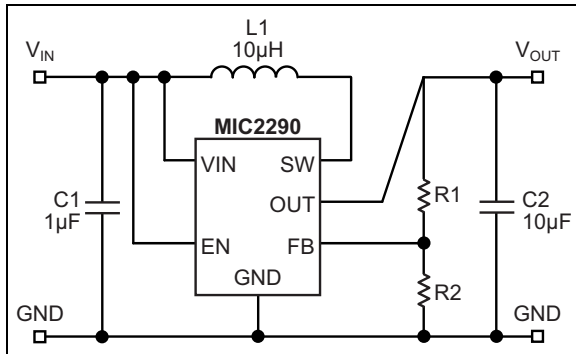


FIGURE 5-1: Typical Application Circuit.

### 5.2 Duty Cycle Considerations

Duty cycle refers to the switch on-to-off time ratio and can be calculated as follows for a boost regulator:

#### EQUATION 5-1:

$$D = 1 - \frac{V_{IN}}{V_{OUT}}$$

The duty cycle required for voltage conversion should be less than the maximum duty cycle of 85%. Also, in light load conditions where the input voltage is close to the output voltage, the minimum duty cycle can cause pulse skipping. This is due to the energy stored in the inductor causing the output to overshoot slightly over the regulated output voltage. During the next cycle, the error amplifier detects the output as being high and skips the following pulse. This effect can be reduced by increasing the minimum load or by increasing the inductor value. Increasing the inductor value reduces peak current, which in turn reduces energy transfer in each cycle.

### 5.3 Overvoltage Protection

For the DFN package option, there is an overvoltage protection function. If the feedback resistors are disconnected from the circuit or the feedback pin is shorted to ground, the feedback pin will fall to ground potential. This will cause the MIC2290 to switch at full duty cycle in an attempt to maintain the feedback voltage. As a result, the output voltage will climb out of control. This may cause the switch node voltage to exceed its maximum voltage rating, possibly damaging the IC and the external components. To ensure the highest level of protection, the MIC2290 OVP pin will shut the switch off when an overvoltage condition is detected, saving the regulator and other sensitive circuitry downstream.

### 5.4 Component Selection

#### 5.4.1 INDUCTOR

Inductor selection is a balance between efficiency, stability, cost, size, and rated current. For most applications, 10 µH is the recommended inductor value; it is usually a good balance between these considerations.

Large inductance values reduce the peak-to-peak ripple current, which affects efficiency. This has an effect of reducing both the DC losses and the transition losses. There is also a secondary effect of an inductor's DC resistance (DCR). The DCR of an inductor will be higher for more inductance in the same package size. This is due to the longer windings required for an increase in inductance. Because the majority of input current (minus the MIC2290 operating current) is passed through the inductor, higher DCR inductors will reduce efficiency.

To maintain stability, increasing the inductor value will have to be associated with an increase in output capacitance. This is due to the unavoidable "right half plane zero" effect for the continuous current boost converter topology. The frequency at which the right half plane zero occurs can be calculated as follows:

#### EQUATION 5-2:

$$f_{RHPZ} = \frac{V_{IN}^2}{V_{OUT} \times L \times I_{OUT} \times 2\pi}$$

The right half plane zero has the undesirable effect of increasing gain, while decreasing phase. This requires that the loop gain is rolled off before this has significant effect on the total loop response. This can be accomplished by either reducing inductance (increasing RHPZ frequency) or increasing the output capacitor value (decreasing loop gain).

## 5.4.2 OUTPUT CAPACITOR

Output capacitor selection is also a trade-off between performance, size, and cost. Increasing output capacitance will lead to an improved transient response, but also an increase in size and cost. X5R or X7R dielectric ceramic capacitors are recommended for designs with the MIC2290. Y5V values may be used, but to compensate their drift over temperature, more capacitance is required. The following table shows the recommended ceramic (X5R) output capacitor value vs. output voltage.

**TABLE 5-1: OUTPUT CAPACITOR SELECTION**

Output Voltage	Recommended Output Capacitance
<6V	22 $\mu$ F
<16V	10 $\mu$ F
<34V	4.7 $\mu$ F

## 5.4.3 INPUT CAPACITOR

A minimum 1  $\mu$ F ceramic capacitor is recommended for designing with the MIC2290. Increasing input capacitance will improve performance and greater noise immunity on the source. The input capacitor should be as close as possible to the inductor and the MIC2290, with short traces for good noise performance.

## 5.4.4 FEEDBACK RESISTORS

The MIC2290 utilizes a feedback pin to compare the output to an internal reference. The output voltage is adjusted by selecting the appropriate feedback resistor network values. The R2 resistor value must be less than or equal to 5 k $\Omega$  ( $R2 \leq 5 \text{ k}\Omega$ ). The desired output voltage can be calculated as follows:

**EQUATION 5-3:**

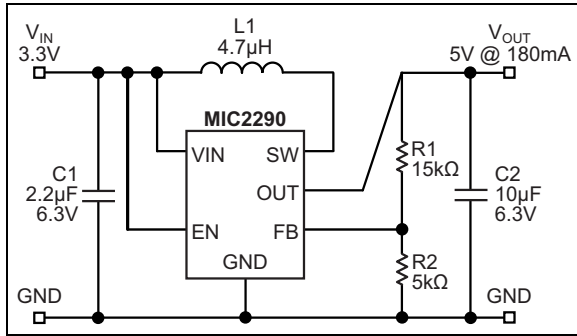
$$V_{OUT} = V_{REF} \times \left( \frac{R1}{R2} + 1 \right)$$

Where:

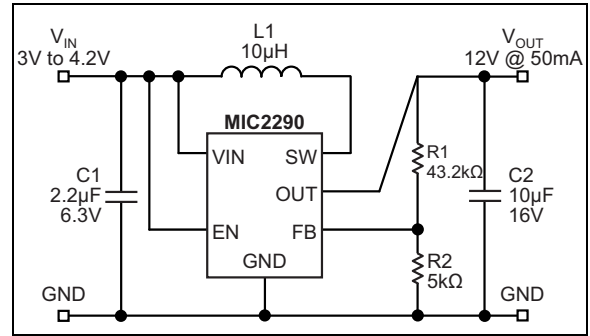
$$V_{REF} = 1.24V$$

# MIC2290

## 6.0 APPLICATION CIRCUITS



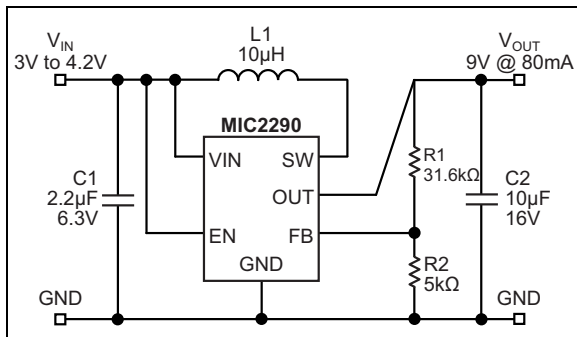
**FIGURE 6-1:**  $3.3V_{IN}$  to  $5V_{OUT}$  @ 180 mA.



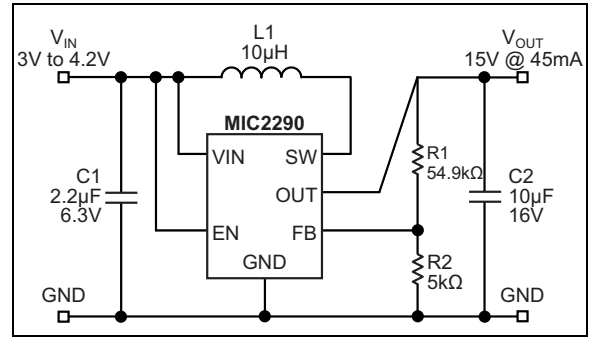
**FIGURE 6-3:**  $3.3V_{IN}$  -  $4.2V_{IN}$  to  $12V_{OUT}$  @ 50 mA.

Ref	Description	Part Number	Vendor
C1	2.2 µF, 6.3V, 0805 X5R Cer. Cap.	08056D475MAT	AVX
C2	10 µF, 6.3V, 0805 X5R Cer. Cap.	08056D106MAT	AVX
L1	4.7 µH, 450 mA Inductor	LQH32CN4R7N11	Murata

Ref	Description	Part Number	Vendor
C1	2.2 µF, 6.3V, 0603 X5R Cer. Cap.	06036D225MAT	AVX
C2	10 µF, 16V, 1206 X5R Cer. Cap.	1206YD106MAT	AVX
L1	10 µH, 450 mA Inductor	LQH32CN100K11	Murata



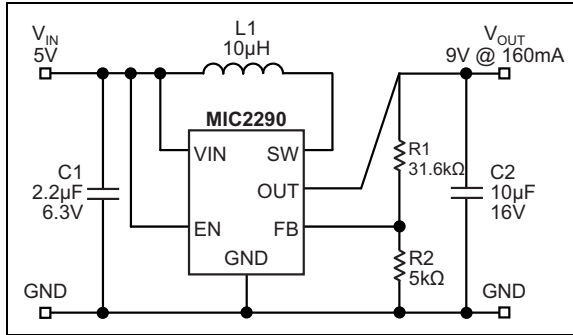
**FIGURE 6-2:**  $3.3V_{IN}$  -  $4.2V_{IN}$  to  $9V_{OUT}$  @ 80 mA.



**FIGURE 6-4:**  $3.3V_{IN}$  -  $4.2V_{IN}$  to  $15V_{OUT}$  @ 45 mA.

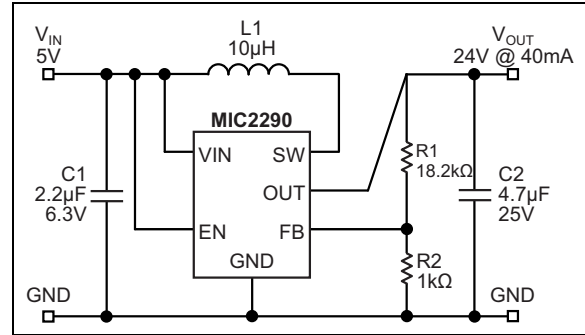
Ref	Description	Part Number	Vendor
C1	2.2 µF, 6.3V, 0603 X5R Cer. Cap.	06036D225MAT	AVX
C2	10 µF, 16V, 1206 X5R Cer. Cap.	1206YD106MAT	AVX
L1	10 µH, 450 mA Inductor	LQH32CN100K11	Murata

Ref	Description	Part Number	Vendor
C1	2.2 µF, 6.3V, 0603 X5R Cer. Cap.	06036D225MAT	AVX
C2	10 µF, 16V, 1206 X5R Cer. Cap.	1206YD106MAT	AVX
L1	10 µH, 450 mA Inductor	LQH32CN100K11	Murata



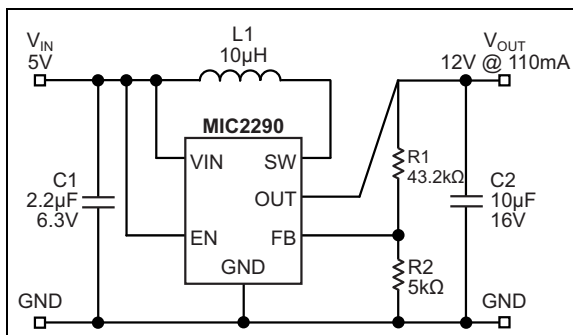
**FIGURE 6-5:**  $5V_{IN}$  to  $9V_{OUT}$  @  $160\text{ mA}$ .

Ref	Description	Part Number	Vendor
<b>C1</b>	2.2 $\mu\text{F}$ , 6.3V, 0603 X5R Cer. Cap.	06036D225MAT	AVX
<b>C2</b>	10 $\mu\text{F}$ , 16V, 1206 X5R Cer. Cap.	1206YD106MAT	AVX
<b>L1</b>	10 $\mu\text{H}$ , 450 mA Inductor	LQH32CN100K11	Murata



**FIGURE 6-7:**  $5V_{IN}$  to  $24V_{OUT}$  @  $40\text{ mA}$ .

Ref	Description	Part Number	Vendor
<b>C1</b>	2.2 $\mu\text{F}$ , 6.3V, 0603 X5R Cer. Cap.	06036D225MAT	AVX
<b>C2</b>	4.7 $\mu\text{F}$ , 25V, 1206 X5R Cer. Cap.	12063D475MAT	AVX
<b>L1</b>	10 $\mu\text{H}$ , 450 mA Inductor	LQH32CN100K11	Murata



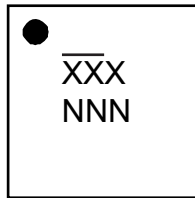
**FIGURE 6-6:**  $5V_{IN}$  to  $12V_{OUT}$  @  $110\text{ mA}$ .

Ref	Description	Part Number	Vendor
<b>C1</b>	2.2 $\mu\text{F}$ , 6.3V, 0603 X5R Cer. Cap.	06036D225MAT	AVX
<b>C2</b>	10 $\mu\text{F}$ , 16V, 1206 X5R Cer. Cap.	1206YD106MAT	AVX
<b>L1</b>	10 $\mu\text{H}$ , 450 mA Inductor	LQH32CN100K11	Murata

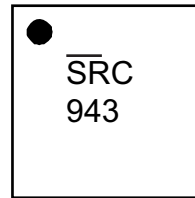
## 7.0 PACKAGING INFORMATION

### 7.1 Package Marking Information

8-Lead DFN\*



Example



<b>Legend:</b>	XX...X	Product code or customer-specific information
	Y	Year code (last digit of calendar year)
	YY	Year code (last 2 digits of calendar year)
	WW	Week code (week of January 1 is week '01')
	NNN	Alphanumeric traceability code
	(e3)	Pb-free JEDEC® designator for Matte Tin (Sn)
	*	This package is Pb-free. The Pb-free JEDEC designator ((e3)) can be found on the outer packaging for this package.
	•, ▲, ▼	Pin one index is identified by a dot, delta up, or delta down (triangle mark).
<b>Note:</b>	In the event the full Microchip part number cannot be marked on one line, it will be carried over to the next line, thus limiting the number of available characters for customer-specific information. Package may or may not include the corporate logo. Underbar (¯) and/or Overbar (˘) symbol may not be to scale.	

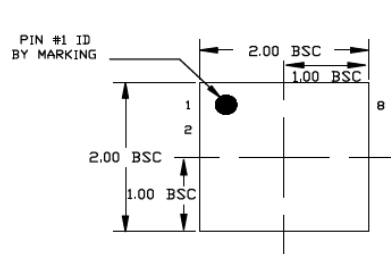
## 8-Lead DFN 2 mm x 2 mm Package Outline & Recommended Land Pattern

**TITLE**

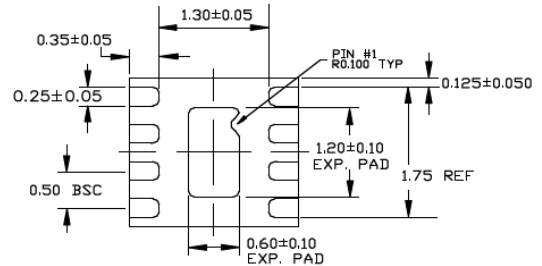
8 LEAD DFN 2x2mm PACKAGE OUTLINE & RECOMMENDED LAND PATTERN

**DRAWING #** DFN22-8LD-PL-1

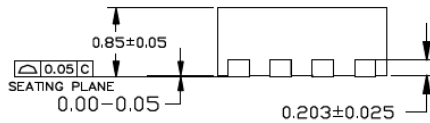
**UNIT** MM



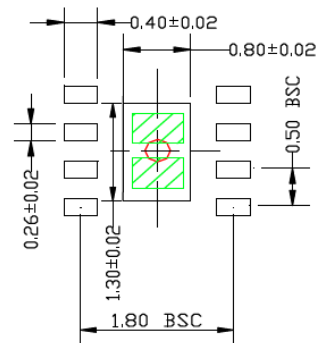
**TOP VIEW**  
NOTE: 1, 2, 3



**BOTTOM VIEW**  
NOTE: 1, 2, 3



**END VIEW**  
NOTE: 1, 2, 3



**RECOMMENDED LAND PATTERN**  
NOTE: 4, 5

**NOTE:**

1. MAX PACKAGE WARPAGE IS 0.05 MM
2. MAX ALLOWABLE BURR IS 0.076MM IN ALL DIRECTIONS
3. PIN #1 IS ON TOP WILL BE LASER MARKED
4. RED CIRCLE IN LAND PATTERN INDICATE THERMAL VIA. SIZE SHOULD BE 0.30-0.35MM IN DIAMETER AND SHOULD BE CONNECTED TO GND FOR MAX THERMAL PERFORMANCE
5. GREEN RECTANGLES (SHADED AREA) INDICATE SOLDER STENCIL OPENING ON EXPOSED PAD AREA. SIZE SHOULD BE 0.60x0.40 MM IN SIZE, 0.20 MM SPACING.

Note: For the most current package drawings, please see the Microchip Packaging Specification located at <http://www.microchip.com/packaging>.

# MIC2290

---

NOTES:

## APPENDIX A: REVISION HISTORY

### Revision A (June 2018)

- Converted Micrel document MIC2290 to Microchip data sheet template DS20006038A.
- Minor grammatical text changes throughout.
- Title of the data sheet updated.
- Switch Current value updated in [Features](#).
- Figure captions for [Figure 2-14](#), [Figure 2-15](#), and [Figure 2-16](#) updated.
- Capacitor C1 value in [Figure 5-1](#) updated.

# MIC2290

---

NOTES:

## PRODUCT IDENTIFICATION SYSTEM

To order or obtain information, e.g., on pricing or delivery, contact your local Microchip representative or sales office.

Device	<u>X</u>	<u>XX</u>	<u>-XX</u>
Part No.	Junction Temp. Range	Package	Media Type
<b>Device:</b>	MIC2290:	2 mm x 2 mm PWM Boost Regulator with Internal Schottky Diode	
<b>Junction Temperature Range:</b>	Y =	-40°C to +125°C, RoHS-Compliant	
<b>Package:</b>	ML =	8-Lead 2 mm x 2 mm DFN	
<b>Media Type:</b>	TR =	5,000/Reel	

**Examples:**

a) MIC2290YML-TR:      MIC2290, -40°C to +125°C Temperature Range, 8-Lead 2 mm x 2 mm DFN, 5,000/Reel

**Note 1:**    Tape and Reel identifier only appears in the catalog part number description. This identifier is used for ordering purposes and is not printed on the device package. Check with your Microchip Sales Office for package availability with the Tape and Reel option.

# MIC2290

---

NOTES:

---

---

**Note the following details of the code protection feature on Microchip devices:**

- Microchip products meet the specification contained in their particular Microchip Data Sheet.
- Microchip believes that its family of products is one of the most secure families of its kind on the market today, when used in the intended manner and under normal conditions.
- There are dishonest and possibly illegal methods used to breach the code protection feature. All of these methods, to our knowledge, require using the Microchip products in a manner outside the operating specifications contained in Microchip's Data Sheets. Most likely, the person doing so is engaged in theft of intellectual property.
- Microchip is willing to work with the customer who is concerned about the integrity of their code.
- Neither Microchip nor any other semiconductor manufacturer can guarantee the security of their code. Code protection does not mean that we are guaranteeing the product as “unbreakable.”

Code protection is constantly evolving. We at Microchip are committed to continuously improving the code protection features of our products. Attempts to break Microchip's code protection feature may be a violation of the Digital Millennium Copyright Act. If such acts allow unauthorized access to your software or other copyrighted work, you may have a right to sue for relief under that Act.

---

Information contained in this publication regarding device applications and the like is provided only for your convenience and may be superseded by updates. It is your responsibility to ensure that your application meets with your specifications. MICROCHIP MAKES NO REPRESENTATIONS OR WARRANTIES OF ANY KIND WHETHER EXPRESS OR IMPLIED, WRITTEN OR ORAL, STATUTORY OR OTHERWISE, RELATED TO THE INFORMATION, INCLUDING BUT NOT LIMITED TO ITS CONDITION, QUALITY, PERFORMANCE, MERCHANTABILITY OR FITNESS FOR PURPOSE. Microchip disclaims all liability arising from this information and its use. Use of Microchip devices in life support and/or safety applications is entirely at the buyer's risk, and the buyer agrees to defend, indemnify and hold harmless Microchip from any and all damages, claims, suits, or expenses resulting from such use. No licenses are conveyed, implicitly or otherwise, under any Microchip intellectual property rights unless otherwise stated.

*Microchip received ISO/TS-16949:2009 certification for its worldwide headquarters, design and wafer fabrication facilities in Chandler and Tempe, Arizona; Gresham, Oregon and design centers in California and India. The Company's quality system processes and procedures are for its PIC® MCUs and dsPIC® DSCs, KEELoC® code hopping devices, Serial EEPROMs, microperipherals, nonvolatile memory and analog products. In addition, Microchip's quality system for the design and manufacture of development systems is ISO 9001:2000 certified.*

**QUALITY MANAGEMENT SYSTEM  
CERTIFIED BY DNV  
= ISO/TS 16949 =**

### Trademarks

The Microchip name and logo, the Microchip logo, AnyRate, AVR, AVR logo, AVR Freaks, BitCloud, CryptoMemory, CryptoRF, dsPIC, FlashFlex, flexPWR, Heldo, JukeBlox, KeeLoq, Kleer, LANCheck, LINK MD, maXStylus, maXTouch, MediaLB, megaAVR, MOST, MOST logo, MPLAB, OptoLyzer, PIC, picoPower, PICSTART, PIC32 logo, Prochip Designer, QTouch, SAM-BA, SpyNIC, SST, SST Logo, SuperFlash, tinyAVR, UNI/O, and XMEGA are registered trademarks of Microchip Technology Incorporated in the U.S.A. and other countries.

ClockWorks, The Embedded Control Solutions Company, EtherSynch, Hyper Speed Control, HyperLight Load, IntelliMOS, mTouch, Precision Edge, and Quiet-Wire are registered trademarks of Microchip Technology Incorporated in the U.S.A.

Adjacent Key Suppression, AKS, Analog-for-the-Digital Age, Any Capacitor, AnyIn, AnyOut, BodyCom, chipKIT, chipKIT logo, CodeGuard, CryptoAuthentication, CryptoAutomotive, CryptoCompanion, CryptoController, dsPICDEM, dsPICDEM.net, Dynamic Average Matching, DAM, ECAN, EtherGREEN, In-Circuit Serial Programming, ICSP, INICnet, Inter-Chip Connectivity, JitterBlocker, KleerNet, KleerNet logo, memBrain, Mindi, MiWi, motorBench, MPASM, MPF, MPLAB Certified logo, MPLIB, MPLINK, MultiTRAK, NetDetach, Omniscient Code Generation, PICDEM, PICDEM.net, PICkit, PICTail, PowerSmart, PureSilicon, QMatrix, REAL ICE, Ripple Blocker, SAM-ICE, Serial Quad I/O, SMART-I.S., SQI, SuperSwitcher, SuperSwitcher II, Total Endurance, TSHARC, USBCheck, VariSense, ViewSpan, WiperLock, Wireless DNA, and ZENA are trademarks of Microchip Technology Incorporated in the U.S.A. and other countries.

SQTP is a service mark of Microchip Technology Incorporated in the U.S.A.

Silicon Storage Technology is a registered trademark of Microchip Technology Inc. in other countries.

GestIC is a registered trademarks of Microchip Technology Germany II GmbH & Co. KG, a subsidiary of Microchip Technology Inc., in other countries.

All other trademarks mentioned herein are property of their respective companies.

©2018, Microchip Technology Incorporated, All Rights Reserved.

ISBN: 978-1-5224-3191-6



# MICROCHIP

## Worldwide Sales and Service

### AMERICAS

**Corporate Office**  
2355 West Chandler Blvd.  
Chandler, AZ 85224-6199  
Tel: 480-792-7200  
Fax: 480-792-7277  
Technical Support:  
<http://www.microchip.com/support>  
Web Address:  
[www.microchip.com](http://www.microchip.com)

**Atlanta**  
Duluth, GA  
Tel: 678-957-9614  
Fax: 678-957-1455

**Austin, TX**  
Tel: 512-257-3370

**Boston**  
Westborough, MA  
Tel: 774-760-0087  
Fax: 774-760-0088

**Chicago**  
Itasca, IL  
Tel: 630-285-0071  
Fax: 630-285-0075

**Dallas**  
Addison, TX  
Tel: 972-818-7423  
Fax: 972-818-2924

**Detroit**  
Novi, MI  
Tel: 248-848-4000

**Houston, TX**  
Tel: 281-894-5983

**Indianapolis**  
Noblesville, IN  
Tel: 317-773-8323  
Fax: 317-773-5453  
Tel: 317-536-2380

**Los Angeles**  
Mission Viejo, CA  
Tel: 949-462-9523  
Fax: 949-462-9608  
Tel: 951-273-7800

**Raleigh, NC**  
Tel: 919-844-7510

**New York, NY**  
Tel: 631-435-6000

**San Jose, CA**  
Tel: 408-735-9110  
Tel: 408-436-4270

**Canada - Toronto**  
Tel: 905-695-1980  
Fax: 905-695-2078

### ASIA/PACIFIC

**Australia - Sydney**  
Tel: 61-2-9868-6733

**China - Beijing**  
Tel: 86-10-8569-7000

**China - Chengdu**  
Tel: 86-28-8665-5511

**China - Chongqing**  
Tel: 86-23-8980-9588

**China - Dongguan**  
Tel: 86-769-8702-9880

**China - Guangzhou**  
Tel: 86-20-8755-8029

**China - Hangzhou**  
Tel: 86-571-8792-8115

**China - Hong Kong SAR**  
Tel: 852-2943-5100

**China - Nanjing**  
Tel: 86-25-8473-2460

**China - Qingdao**  
Tel: 86-532-8502-7355

**China - Shanghai**  
Tel: 86-21-3326-8000

**China - Shenyang**  
Tel: 86-24-2334-2829

**China - Shenzhen**  
Tel: 86-755-8864-2200

**China - Suzhou**  
Tel: 86-186-6233-1526

**China - Wuhan**  
Tel: 86-27-5980-5300

**China - Xian**  
Tel: 86-29-8833-7252

**China - Xiamen**  
Tel: 86-592-2388138

**China - Zhuhai**  
Tel: 86-756-3210040

### ASIA/PACIFIC

**India - Bangalore**  
Tel: 91-80-3090-4444

**India - New Delhi**  
Tel: 91-11-4160-8631

**India - Pune**  
Tel: 91-20-4121-0141

**Japan - Osaka**  
Tel: 81-6-6152-7160

**Japan - Tokyo**  
Tel: 81-3-6880-3770

**Korea - Daegu**  
Tel: 82-53-744-4301

**Korea - Seoul**  
Tel: 82-2-554-7200

**Malaysia - Kuala Lumpur**  
Tel: 60-3-7651-7906

**Malaysia - Penang**  
Tel: 60-4-227-8870

**Philippines - Manila**  
Tel: 63-2-634-9065

**Singapore**  
Tel: 65-6334-8870

**Taiwan - Hsin Chu**  
Tel: 886-3-577-8366

**Taiwan - Kaohsiung**  
Tel: 886-7-213-7830

**Taiwan - Taipei**  
Tel: 886-2-2508-8600

**Thailand - Bangkok**  
Tel: 66-2-694-1351

**Vietnam - Ho Chi Minh**  
Tel: 84-28-5448-2100

### EUROPE

**Austria - Wels**  
Tel: 43-7242-2244-39  
Fax: 43-7242-2244-393

**Denmark - Copenhagen**  
Tel: 45-4450-2828  
Fax: 45-4485-2829

**Finland - Espoo**  
Tel: 358-9-4520-820

**France - Paris**  
Tel: 33-1-69-53-63-20  
Fax: 33-1-69-30-90-79

**Germany - Garching**  
Tel: 49-8931-9700

**Germany - Haan**  
Tel: 49-2129-3766400

**Germany - Heilbronn**  
Tel: 49-7131-67-3636

**Germany - Karlsruhe**  
Tel: 49-721-625370

**Germany - Munich**  
Tel: 49-89-627-144-0  
Fax: 49-89-627-144-44

**Germany - Rosenheim**  
Tel: 49-8031-354-560

**Israel - Ra'anana**  
Tel: 972-9-744-7705

**Italy - Milan**  
Tel: 39-0331-742611  
Fax: 39-0331-466781

**Italy - Padova**  
Tel: 39-049-7625286

**Netherlands - Drunen**  
Tel: 31-416-690399  
Fax: 31-416-690340

**Norway - Trondheim**  
Tel: 47-7289-7561

**Poland - Warsaw**  
Tel: 48-22-3325737

**Romania - Bucharest**  
Tel: 40-21-407-87-50

**Spain - Madrid**  
Tel: 34-91-708-08-90  
Fax: 34-91-708-08-91

**Sweden - Gothenberg**  
Tel: 46-31-704-60-40

**Sweden - Stockholm**  
Tel: 46-8-5090-4654

**UK - Wokingham**  
Tel: 44-118-921-5800  
Fax: 44-118-921-5820

## Looking for pricing, stock, or lifecycle information?

Click below to explore more details on WIN SOURCE:

- ⊖ [View MIC2290BML-TR on WIN SOURCE](#)
- ⊖ [Microchip Technology](#) Information

## Optimize Your Supply Chain with WIN SOURCE Solutions

- ✓ Global Sourcing Solution
- ✓ Obsolete Management
- ✓ Cost Control Management
- ✓ Shortage Management
- ✓ Alternative Solution
- ✓ Excess Inventory Management