

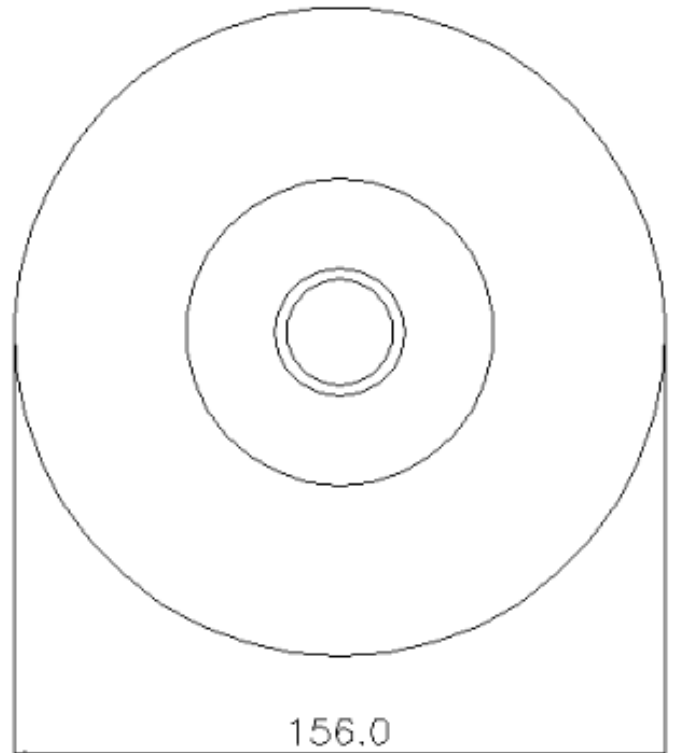
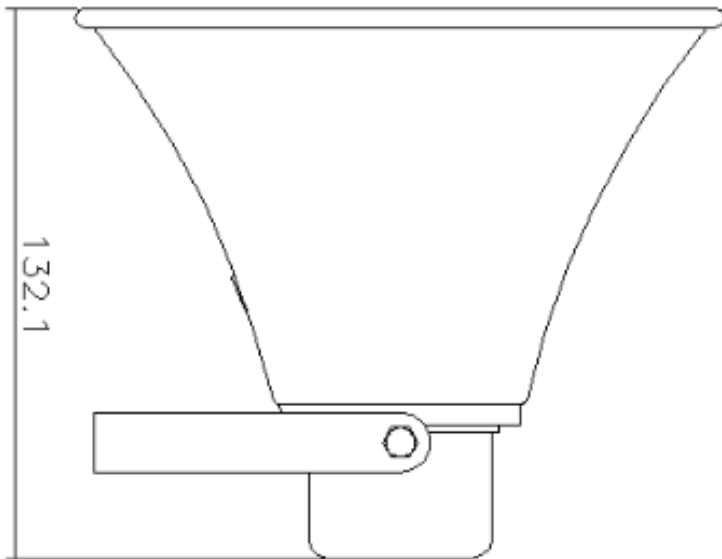


**THE DATASHEET OF
PH-230Q**

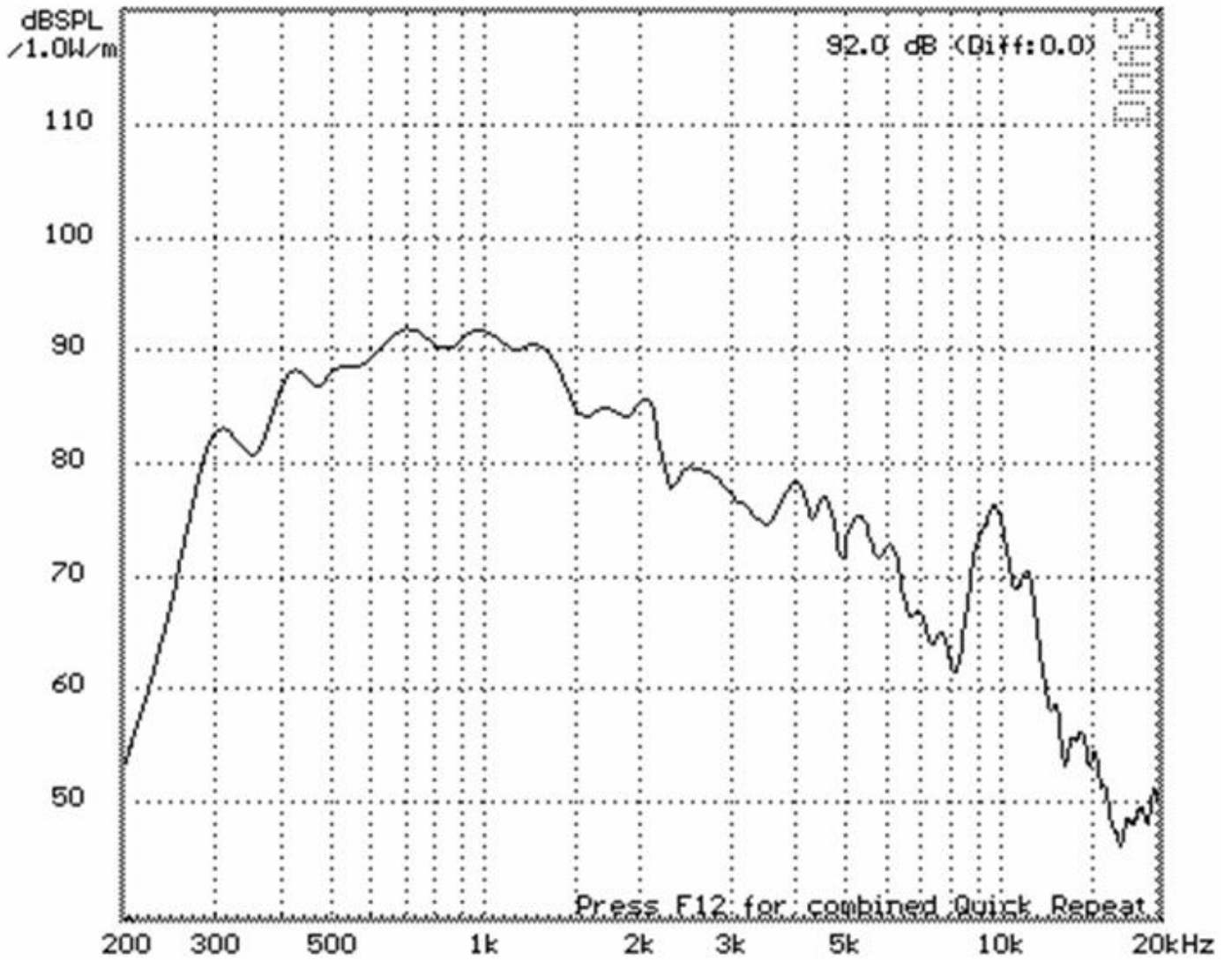


Specifications:

Resonant Frequency (Hz)	350 ~ 7000
Impedance (Ω)	8 \pm 2
Input Power (Watts RMS)	15
Operating Temperature ($^{\circ}$ C)	-20 ~ +70
Storage Temperature ($^{\circ}$ C)	-30 ~ +80
Housing	Aluminum (Color: Gray)
Leading Wire	20 AWG
Weight (Grams)	960
Locations	For indoor/outdoor use (No Salt environment)
Options	For other options contact factory



Dimensions: (units: mm)**ROHS Compliant**

Frequency Response:



Looking for pricing, stock, or lifecycle information?

Click below to explore more details on WIN SOURCE:

-  [View PH-230Q on WIN SOURCE](#)
-  [Mallory Sonalert Products Inc. Information](#)

Optimize Your Supply Chain with WIN SOURCE Solutions

-  Global Sourcing Solution
-  Obsolete Management
-  Cost Control Management
-  Shortage Management
-  Alternative Solution
-  Excess Inventory Management