



THE DATASHEET OF ST3243BTR



±15 kV ESD protected 3 to 5.5 V, 400 kbps, RS-232 transceiver with auto-power-down

Datasheet - production data



Features

- ESD protection for RS-232 I/O pins
 - ±8 kV IEC61000-4-2 contact discharge
 - ±15 kV IEC61000-4-2 air discharge
- 1 µA supply current achieved when in auto-power-down
- 250 kbps minimum guaranteed data rate
- Guaranteed 6 V/µs slew rate range
- Guaranteed mouse drive ability
- 0.1 µF external capacitors
- Meet EIA/TIA-232 specifications down to 3 V
- Available in SSOP-28 package

Description

The ST3243B/ST3243C devices consist of 3 drivers, 5 receivers and a dual charge pump circuit. The devices meet the requirements of EIA/TIA and V.28/V.24 communication standards providing high data rate capability and enhanced electrostatic discharge (ESD) protection.

All transmitter outputs and receiver inputs are protected to ±8 kV using IEC61000-4-2 contact discharge and ±15 kV IEC61000-4-2 air discharge.

The receiver R2 is always active to implement a wake-up feature for the serial port.

The ST3243B/ST3243C devices have a proprietary low-dropout transmitter output stage enabling true RS-232 performance from a 3.0 V to 5.5 V supply with a dual charge pump. The devices are guaranteed to run at data rates of 250 kbps while maintaining RS-232 output levels.

The auto-power-down feature functions when FORCEON is low and FORCEOFF is high. During this mode of operation, if the device does not sense a valid RS-232 signal, the driver outputs are disabled. If FORCEOFF is set low, both drivers and receivers (except R2B) are shut off, and supply current is reduced to 1 µA. Disconnecting the serial port or turning off the peripheral drives causes the auto-power-down condition to occur.

Auto-power-down can be disabled when FORCEON and FORCEOFF are high, and should be done when driving a serial mouse. With auto-power-down enabled, the device is activated automatically when a valid signal is applied to any receiver input.

Typical application are in notebook, subnotebook, palmtop computers, battery-powered equipment, hand-held equipment, peripherals, and printers.

Table 1. Device summary

Order code	Temperature range	Package	Packaging
ST3243CPR	0 to 70 °C	SSOP-28 (tape and reel)	1350 parts per reel

Note: For new designs, we recommend the use of the ST3243EB and ST3243EC which have a temperature range of -40 to 85 °C and 0 to 70 °C respectively.

Contents

1	Pin configuration	3
2	Maximum ratings	6
3	Electrical characteristics	7
4	Application	10
5	Typical performance characteristics	12
6	Package mechanical data	14
7	Revision history	17

1 Pin configuration

Figure 1. Pin configuration

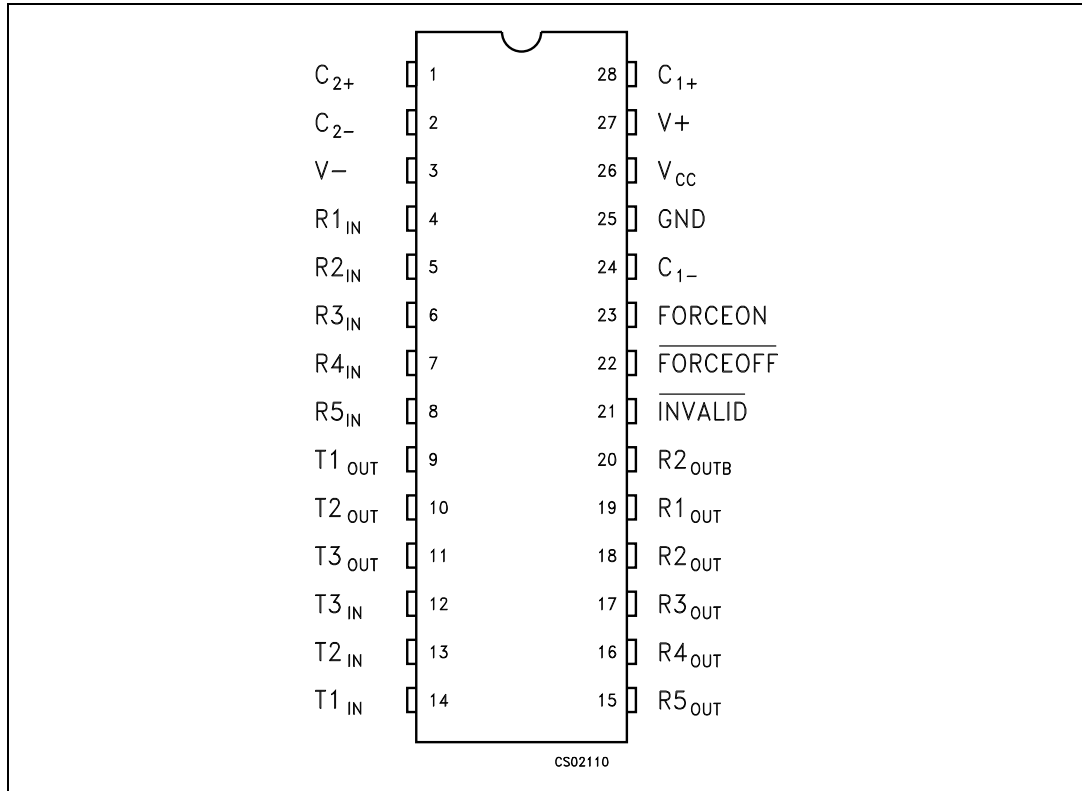


Table 2. Pin description

Pin no	Symbol	Name and function
1	C ₂₊	Positive terminal of inverting charge pump capacitor
2	C ₂₋	Negative terminal of inverting charge pump capacitor
3	V-	- 5.5 V generated by the charge pump
4	R1 _{IN}	First receiver input voltage
5	R2 _{IN}	Second receiver input voltage
6	R3 _{IN}	Third receiver input voltage
7	R4 _{IN}	Fourth receiver input voltage
8	R5 _{IN}	Fifth receiver input voltage
9	T1 _{OUT}	First transmitter output voltage
10	T2 _{OUT}	Second transmitter output voltage
11	T3 _{OUT}	Third transmitter output voltage
12	T3 _{IN}	Third transmitter input voltage
13	T2 _{IN}	Second transmitter input voltage
14	T1 _{IN}	First transmitter input voltage
15	R5 _{OUT}	Fifth receiver output voltage
16	R4 _{OUT}	Fourth receiver output voltage
17	R3 _{OUT}	Third receiver output voltage
18	R2 _{OUT}	Second receiver output voltage
19	R1 _{OUT}	First receiver output voltage
20	R2 _{OUTB}	Non-inverting complementary receiver output, always active for wakeup
21	$\overline{\text{INVALID}}$	Output of the valid signal detector. Indicates if a valid RS-232 level is present on receiver inputs logic "1"
22	$\overline{\text{FORCEOFF}}$	Drive low to shut down transmitters and on-board power supply. This overrides all automatic circuitry and FORCEON
23	FORCEON	Drive high to override automatic circuitry keeping transmitters on (FORCEOFF must be high)
24	C ₁₋	Negative terminal of voltage charge pump capacitor
25	GND	Ground
26	V _{CC}	Supply voltage
27	V+	5.5 V generated by the charge pump
28	C ₁₊	Positive terminal of voltage charge pump capacitor

Table 3. Truth table

$\overline{\text{FORCEOFF}}$	T_{OUT}	R_{OUT}	$\text{R}_{2\text{OUTB}}$
0	HIGH Z	HIGH Z	ACTIVE ⁽¹⁾
1	ACTIVE ⁽¹⁾	ACTIVE ⁽¹⁾	ACTIVE ⁽¹⁾

1. If the part is in auto-power-down mode ($\overline{\text{FORCEOFF}} = \text{V}_{\text{CC}}$, $\text{FORCEON} = \text{GND}$) it is shutdown, if no valid RS-232 levels are present on all receiver input.

2 Maximum ratings

Table 4. Absolute maximum ratings

Symbol	Parameter	Value	Unit
V_{CC}	Supply voltage	-0.3 to 6	V
V+	Doubled voltage terminal	$(V_{CC} - 0.3)$ to 7	
V-	Inverted voltage terminal	0.3 to -7	
$V+ + V- $		13	
FORCEON, FORCEOFF, T_{IN}	Input voltage	-0.3 to 6	
R_{IN}	Receiver input voltage range	± 25	
T_{OUT}	Transmitter output voltage range	± 13.2	
R_{OUT} R_{OUTB} INVALID	Receiver output voltage range	-0.3 to $(V_{CC} + 0.3)$	
t_{SHORT}	Short-circuit duration on T_{OUT} (one at a time)	Continuous	
T_{STG}	Storage temperature range	-65 to 150	°C

Note: Absolute maximum ratings are those values beyond which damage to the device may occur. Functional operation under these condition is not implied. V+ and V- can have a maximum magnitude of +7 V, but their absolute addition can not exceed 13 V.

Table 5. ESD performance: transmitter outputs, receiver inputs

Symbol	Parameter	Test conditions	Min.	Typ.	Max.	Unit
ESD	ESD protection voltage	IEC61000-4-2 air discharge	± 15	—	—	kV
ESD	ESD protection voltage	IEC61000-4-2 (contact discharge)	± 8			

3 Electrical characteristics

$C_1 - C_4 = 0.1 \mu\text{F}$, $V_{CC} = 3 \text{ V to } 5.5 \text{ V}$, $T_A = -40 \text{ to } 85 \text{ }^\circ\text{C}$, unless otherwise specified. Typical values are referred to $T_A = 25 \text{ }^\circ\text{C}$.

Table 6. Electrical characteristics

Symbol	Parameter	Test conditions	Min.	Typ.	Max.	Unit
I_{ASHDN}	Supply current auto-power-down	$V_{CC} = 3.3 \text{ or } 5.0 \text{ V}$, $T_A = 25 \text{ }^\circ\text{C}$ All R_IN open, $\overline{\text{FORCEOFF}} = V_{CC}$		1	10	μA
I_{SHDN}	Shutdown supply current	$V_{CC} = 3.3 \text{ or } 5.0 \text{ V}$, $T_A = 25 \text{ }^\circ\text{C}$ All R_IN open, $\overline{\text{FORCEOFF}} = \text{GND}$		1	10	
I_{SUPPLY}	Supply current auto-power-down disabled	$V_{CC} = 3.3 \text{ or } 5.0 \text{ V}$, $T_A = 25 \text{ }^\circ\text{C}$ $\text{FORCEON} = \overline{\text{FORCEOFF}} = V_{CC}$ no load		0.3	1	mA

$C_1 - C_4 = 0.1 \mu\text{A}$, $V_{CC} = 3 \text{ V to } 5.5 \text{ V}$, $T_A = -40 \text{ to } 85 \text{ }^\circ\text{C}$, unless otherwise specified. Typical values are referred to $T_A = 25 \text{ }^\circ\text{C}$.

Table 7. Logic input electrical characteristics

Symbol	Parameter	Test conditions	Min.	Typ.	Max.	Unit
V_{TIL}	Input logic threshold low	T-IN, FORCEON, $\overline{\text{FORCEOFF}}$			0.8	V
V_{TIH}	Input logic threshold high	T-IN, FORCEON, $\overline{\text{FORCEOFF}}$ $V_{CC} = 3.3 \text{ V}$ $V_{CC} = 5 \text{ V}$	2 2.4			
V_{THYS}	Transmitter input hysteresis			0.5		
I_{IL}	Input leakage current	T-IN, FORCEON, $\overline{\text{FORCEOFF}}$		± 0.01	± 1.0	μA
I_{OL}	Output leakage current	Receiver disabled		± 0.05	± 10	
V_{OL}	Output voltage low	$I_{OUT} = 1.6 \text{ mA}$			0.4	V
V_{OH}	Output voltage high	$I_{OUT} = -1 \text{ mA}$	$V_{CC} - 0.6$	$V_{CC} - 0.1$		

$C_1 - C_4 = 0.1 \mu\text{F}$, $V_{CC} = 3 \text{ V to } 5.5 \text{ V}$, $T_A = -40 \text{ to } 85 \text{ }^\circ\text{C}$, unless otherwise specified. Typical values are referred to $T_A = 25 \text{ }^\circ\text{C}$.

Table 8. Auto-power-down electrical characteristics

Symbol	Parameter	Test conditions	Min.	Typ.	Max.	Unit
V_{RITE}	Receiver input threshold to transmitter enabled	Positive threshold Negative threshold	2.7		2.7	V
V_{RITD}	Receiver input threshold to transmitter disabled	1 μA supply current	-0.3		0.3	
V_{IOL}	$\overline{\text{INVALID}}$ output voltage LOW				0.4	
V_{IOH}	$\overline{\text{INVALID}}$ output voltage HIGH		$V_{CC} - 0.6$			
t_{WU}	Receiver threshold to transmitter enabled	$I_{OUT} = 1.6 \text{ mA}$		250		μs
t_{INVH}	Receiver positive or negative threshold to $\overline{\text{INVALID}}$ HIGH	$I_{OUT} = -1 \text{ mA}$		1		
t_{INVL}	Receiver positive or negative threshold to $\overline{\text{INVALID}}$ LOW			30		

$C_1 - C_4 = 0.1 \mu\text{F}$, $V_{CC} = 3 \text{ V to } 5.5 \text{ V}$, $T_A = -40 \text{ to } 85 \text{ }^\circ\text{C}$, unless otherwise specified. Typical values are referred to $T_A = 25 \text{ }^\circ\text{C}$.

Table 9. Transmitter electrical characteristics

Symbol	Parameter	Test conditions	Min.	Typ.	Max.	Unit
V_{TOUT}	Output voltage swing	All transmitter outputs are loaded with 3 k Ω to GND	± 5	± 5.4		V
R_{OUT}	Output resistance	$V_{CC} = V+ = V- = 0 \text{ V}$, $V_{OUT} = \pm 2 \text{ V}$	300	10 M		Ω
I_{SC}	Output short-circuit current			± 35	± 60	mA
V_{OT}	Transmitter output voltage	T1IN = T2IN = GND, T3IN = V_{CC} T3OUT loaded with 3 k Ω to GND T1OUT and T2OUT loaded with 2.5 mA each	± 5			V

$C_1 - C_4 = 0.1 \mu\text{F}$, $V_{CC} = 3 \text{ V to } 5.5 \text{ V}$, $T_A = -40 \text{ to } 85 \text{ }^\circ\text{C}$, unless otherwise specified. Typical values are referred to $T_A = 25 \text{ }^\circ\text{C}$.

Table 10. Receiver electrical characteristics

Symbol	Parameter	Test conditions	Min.	Typ.	Max.	Unit
V_{RIN}	Receiver input voltage operating range		-25		25	V
V_{RIL}	RS-232 Input threshold low	$T_A = 25 \text{ }^\circ\text{C}$, $V_{CC} = 3.3 \text{ V}$ $T_A = 25 \text{ }^\circ\text{C}$, $V_{CC} = 5.0 \text{ V}$	0.6 0.8	1.2 1.2		
V_{RIH}	RS-232 Input threshold high	$T_A = 25 \text{ }^\circ\text{C}$, $V_{CC} = 3.3 \text{ V}$ $T_A = 25 \text{ }^\circ\text{C}$, $V_{CC} = 5.0 \text{ V}$		1.5 1.8	2.4 2.4	
V_{RIHYS}	Input hysteresis			0.5		
R_{RIN}	Input resistance	$T_A = 25 \text{ }^\circ\text{C}$	3	5	7	k Ω

$C_1 - C_4 = 0.1 \mu\text{F}$, $V_{CC} = 3 \text{ V to } 5.5 \text{ V}$, $T_A = -40 \text{ to } 85 \text{ }^\circ\text{C}$, unless otherwise specified. Typical values are referred to $T_A = 25 \text{ }^\circ\text{C}$.

Table 11. Timing characteristics

Symbol	Parameter	Test conditions	Min.	Typ.	Max.	Unit
D_R	Maximum data rate	$R_L = 3 \text{ k}\Omega$, $C_L = 1000 \text{ pF}$ one transmitter switching	250	400		kbps
t_{PHL} t_{PLH}	Receiver propagation delay	R_{IN} to R_{OUT} , $C_L = 150 \text{ pF}$		0.15		μs
t_{T_SKEW}	Transmitter skew			100		ns
t_{R_SKEW}	Receiver skew			50		
t_{INVH}	Receiver positive or negative threshold to <u>INVALID HIGH</u>			1		μs
t_{INVL}	Receiver positive or negative threshold to <u>INVALID LOW</u>			30		
S_{RT}	Transition slew rate	$T_A = 25 \text{ }^\circ\text{C}$, $R_L = 3 \text{ k}\Omega$ to $7 \text{ k}\Omega$, $V_{CC} = 3.3 \text{ V}$ measured from $+3 \text{ V}$ to -3 V or -3 V to $+3 \text{ V}$ $C_L = 150 \text{ pF}$ to 1000 pF $C_L = 150 \text{ pF}$ to 2500 pF	6 4		30 30	V/ μs

4 Application

Figure 2. Application circuit

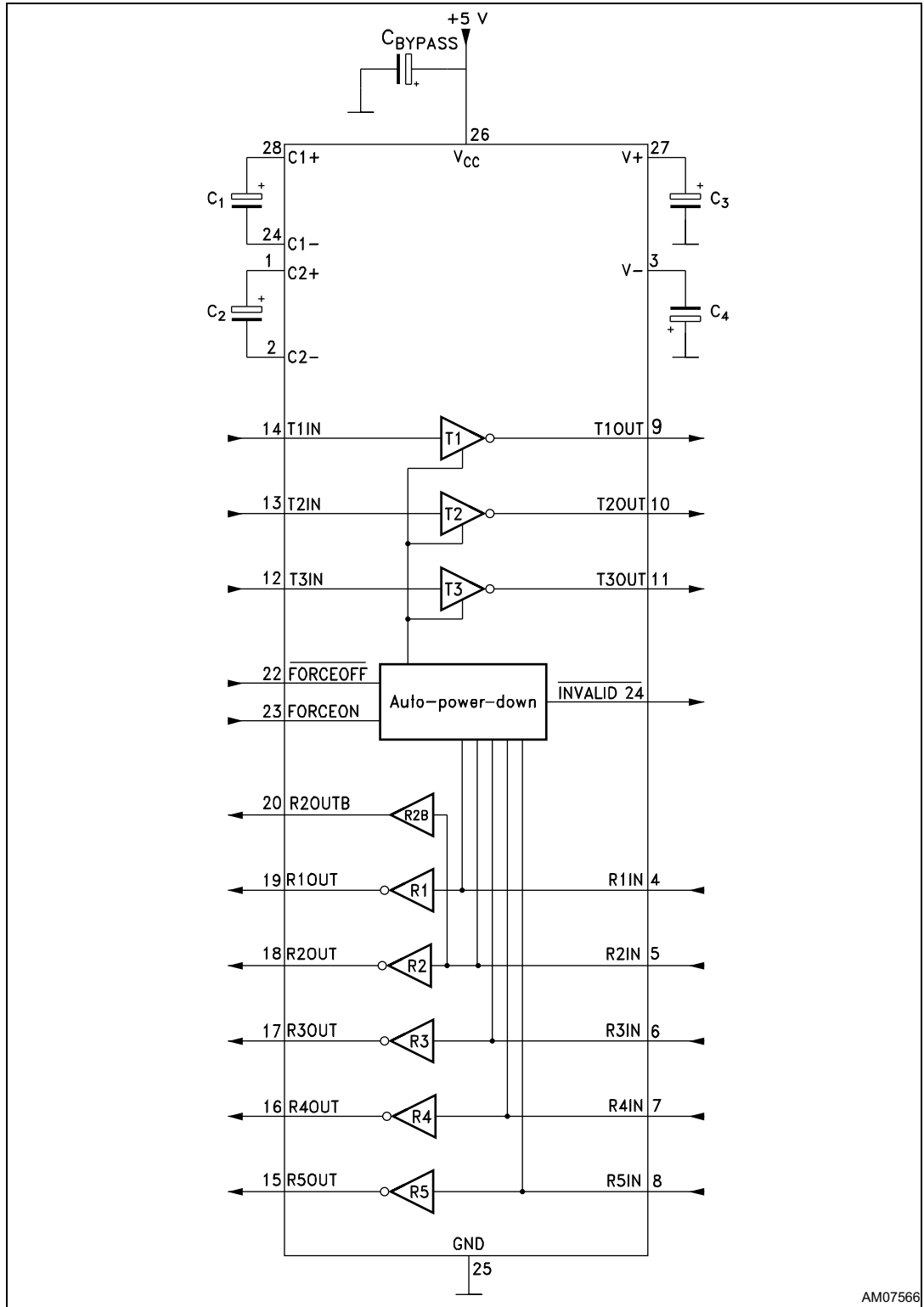


Table 12. Capacitance value (μF)

V_{CC}	C1	C2	C3	C4	Cbypass
3.0 to 3.6	0.1	0.1	0.1	0.1	0.1
4.5 to 5.5	0.047	0.33	0.33	0.33	0.33
3.0 to 5.5	0.22	1.0	1.0	1.0	0.22

5 Typical performance characteristics

Unless otherwise specified $T_J = 25\text{ }^\circ\text{C}$.

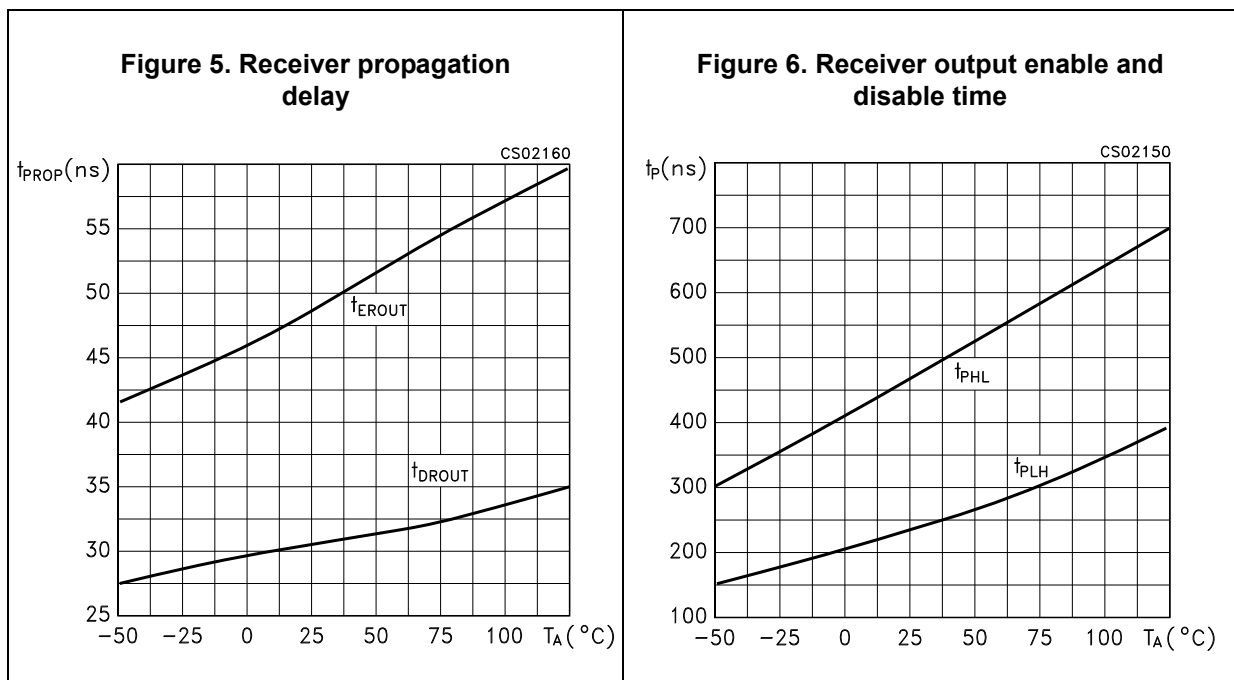
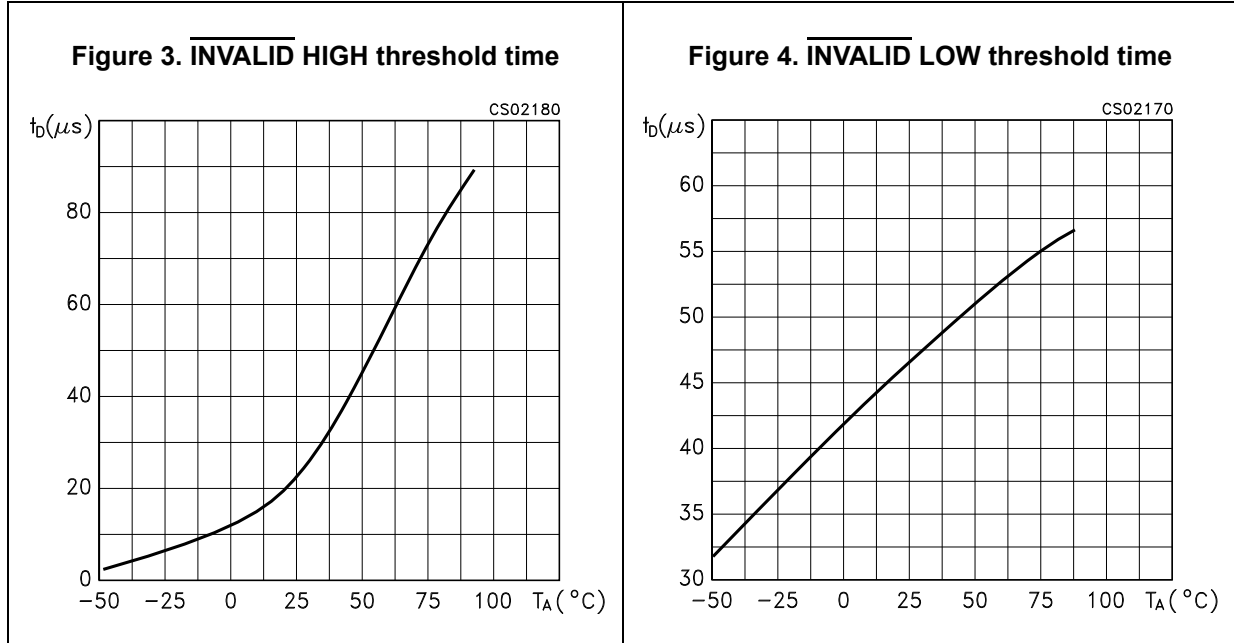


Figure 7. Output current vs. output high voltage

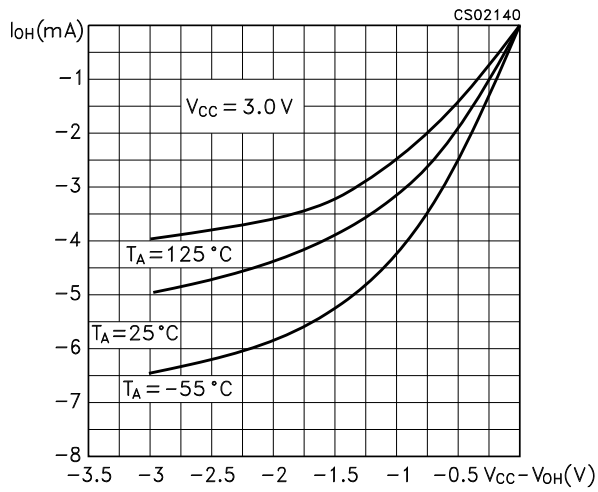
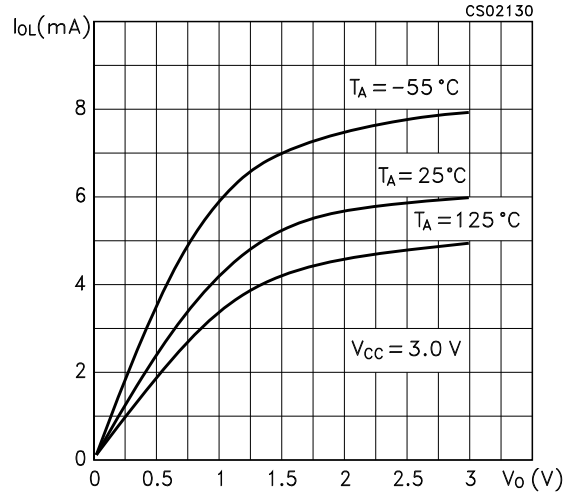


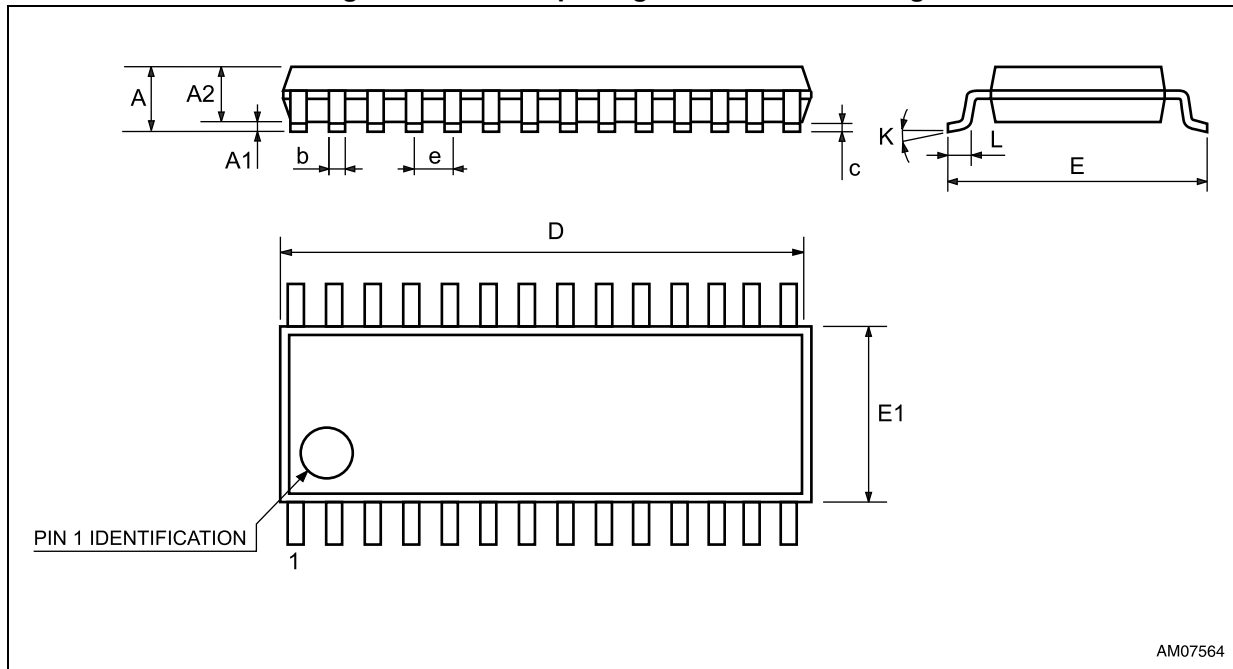
Figure 8. Output current vs. output low voltage



6 Package mechanical data

In order to meet environmental requirements, ST offers these devices in different grades of ECOPACK® packages, depending on their level of environmental compliance. ECOPACK specifications, grade definitions and product status are available at: www.st.com. ECOPACK is an ST trademark.

Figure 9. SSOP-28 package mechanical drawing

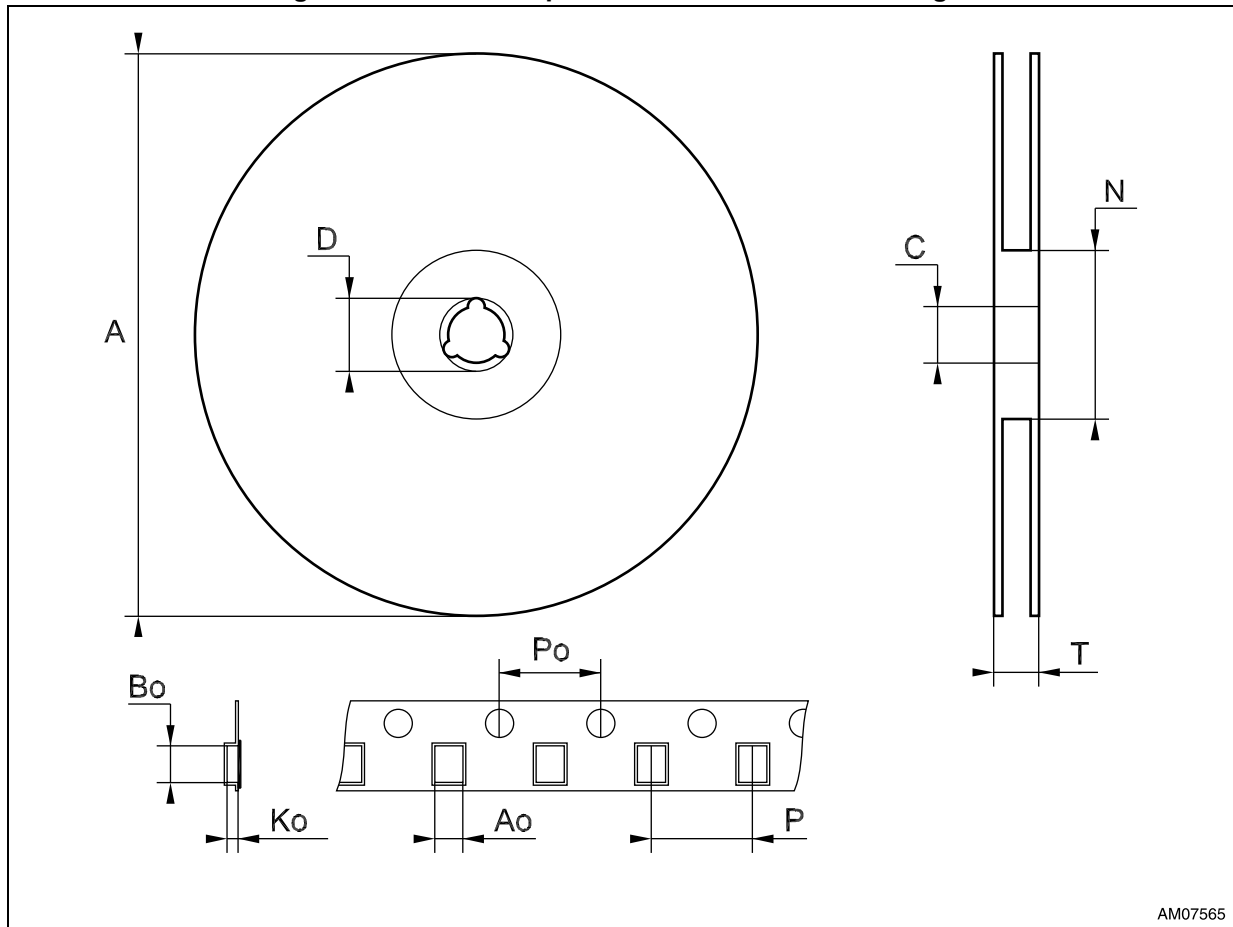


AM07564

Table 13. SSOP-28 package mechanical data

Symbol	Dimensions					
	mm			inches		
	Min.	Typ.	Max.	Min.	Typ.	Max.
A			2			0.079
A1	0.050			0.002		
A2	1.65	1.75	1.85	0.065	0.069	0.073
b	0.22		0.38	0.009		0.015
c	0.09		0.25	0.004		0.010
D	9.9	10.2	10.5	0.390	0.402	0.413
E	7.4	7.8	8.2	0.291	0.307	0.323
E1	5	5.3	5.6	0.197	0.209	0.220
e		0.65 BSC			0.0256 BSC	
K	0°		10°	0°		10°
L	0.55	0.75	0.95	0.022	0.030	0.037

Figure 10. SSOP-28 tape and reel mechanical drawing⁽¹⁾



1. Drawing not in scale.

Table 14. SSOP-28 tape and reel mechanical data

Symbol	Dimensions					
	mm			inches		
	Min.	Typ.	Max.	Min.	Typ.	Max.
A			330			12.992
C	12.8		13.2	0.504		0.519
D	20.2			0.795		
N	60			2.362		
T			22.4			0.882
Ao	8.4		8.6	0.331		0.339
Bo	10.7		10.9	0.421		0.429
Ko	2.9		3.1	0.114		0.122
Po	3.9		4.1	0.153		0.161
P	11.9		12.1	0.468		0.476

7 Revision history

Table 15. Document revision history

Date	Revision	Changes
19-Sep-2004	6	Document updating.
31-Mar-2006	7	Order codes updated.
12-Nov-2007	8	Added Table 1 .
21-Oct-2009	9	Modified Table 1: Device summary
07-Oct-2011	10	Added ST3243B device, document reformatted, updated/added Figure 9 and Figure 10 , Table 13 and Table 14 , minor text and typo modifications throughout the document.
15-Feb-2013	11	Updated title, Features , Description and Table 5 (added ESD protection, replaced "Human body model" by "±15 kV IEC61000-4-2 air discharge", IEC1000-4-2 replaced by IEC61000-4-2). Removed Note 2 below Table 4 . Added Table 5 . Corrected typ. and max. mm value of E symbol in Table 13 . Minor corrections throughout document.
02-Oct-2014	12	Description : Replaced supply current of "1 mA" with "1 µA" Table 1: Device summary : removed obsolete order code ST3243BPR Added Note: on page 1 Minor text updates throughout document

IMPORTANT NOTICE – PLEASE READ CAREFULLY

STMicroelectronics NV and its subsidiaries ("ST") reserve the right to make changes, corrections, enhancements, modifications, and improvements to ST products and/or to this document at any time without notice. Purchasers should obtain the latest relevant information on ST products before placing orders. ST products are sold pursuant to ST's terms and conditions of sale in place at the time of order acknowledgement.

Purchasers are solely responsible for the choice, selection, and use of ST products and ST assumes no liability for application assistance or the design of Purchasers' products.

No license, express or implied, to any intellectual property right is granted by ST herein.

Resale of ST products with provisions different from the information set forth herein shall void any warranty granted by ST for such product.

ST and the ST logo are trademarks of ST. All other product or service names are the property of their respective owners.

Information in this document supersedes and replaces information previously supplied in any prior versions of this document.

© 2014 STMicroelectronics – All rights reserved

Looking for pricing, stock, or lifecycle information?

Click below to explore more details on WIN SOURCE:

-  [View ST3243BTR on WIN SOURCE](#)
-  [STMicroelectronics Information](#)

Optimize Your Supply Chain with WIN SOURCE Solutions

-  Global Sourcing Solution
-  Obsolete Management
-  Cost Control Management
-  Shortage Management
-  Alternative Solution
-  Excess Inventory Management