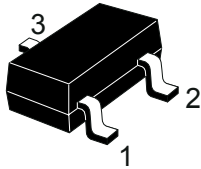




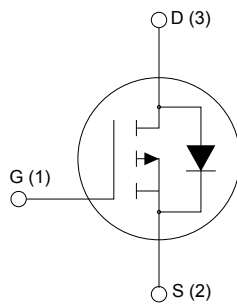
# THE DATASHEET OF STR2P3LLH6



## P-channel -30 V, 48 mΩ typ., -2 A STripFET™ H6 Power MOSFET in a SOT-23 package



SOT-23



PG1D3S2


**Product status**

STR2P3LLH6

**Product summary**

<b>Order code</b>	STR2P3LLH6
<b>Marking</b>	2K3L
<b>Package</b>	SOT-23
<b>Packing</b>	Tape and reel

### Features

Order code	V <sub>DS</sub>	R <sub>DS(on)</sub> max.	I <sub>D</sub>
STR2P3LLH6	-30 V	56 mΩ	-2 A

- Very low on-resistance
- Very low gate charge
- High avalanche ruggedness
- Low gate drive power loss

### Applications

- Switching applications

### Description

This device is a P-channel Power MOSFET developed using the STripFET™ H6 technology with a new trench gate structure. The resulting Power MOSFET exhibits very low R<sub>DS(on)</sub> in all packages.

# 1 Electrical ratings

**Table 1. Absolute maximum ratings**

Symbol	Parameter	Value	Unit
$V_{DS}$	Drain-source voltage	-30	V
$V_{GS}$	Gate-source voltage	$\pm 20$	V
$I_D$	Drain current (continuous) at $T_{pcb} = 25\text{ }^\circ\text{C}$	-2	A
$I_D$	Drain current (continuous) at $T_{pcb} = 100\text{ }^\circ\text{C}$	-1.2	A
$I_{DM}^{(1)}$	Drain current (pulsed)	-8	A
$P_{TOT}$	Total dissipation at $T_{pcb} = 25\text{ }^\circ\text{C}$	0.35	W
$T_J$	Operating junction temperature range	-55 to 150	$^\circ\text{C}$
$T_{stg}$	Storage temperature range		$^\circ\text{C}$

1. Pulse width limited by safe operating area

**Table 2. Thermal resistance**

Symbol	Parameter	Value	Unit
$R_{thj-pcb}^{(1)}$	Thermal resistance junction-pcb, single operation	357	$^\circ\text{C/W}$

1. When mounted on FR-4 board of 1inch<sup>2</sup>, 2oz Cu,  $t < 10\text{ s}$

## 2 Electrical characteristics

( $T_C = 25\text{ °C}$  unless otherwise specified).

**Table 3. On /off states**

Symbol	Parameter	Test conditions	Min	Typ	Max	Unit
$V_{(BR)DSS}$	Drain-source breakdown voltage	$V_{GS} = 0\text{ V}$ , $I_D = -250\text{ }\mu\text{A}$	-30			V
$I_{DSS}$	Zero gate voltage drain current	$V_{GS} = 0\text{ V}$ , $V_{DS} = -30\text{ V}$ <sup>(1)</sup>			-1	$\mu\text{A}$
$I_{GSS}$	Gate body leakage current	$V_{GS} = 0\text{ V}$ , $V_{GS} = \pm 20\text{ V}$			-100	nA
$V_{GS(th)}$	Gate threshold voltage	$V_{DS} = V_{GS}$ , $I_D = -250\text{ }\mu\text{A}$	-1		-2.5	V
$R_{DS(on)}$	Static drain-source on-resistance	$V_{GS} = -10\text{ V}$ , $I_D = -1\text{ A}$ $V_{GS} = -4.5\text{ V}$ , $I_D = -1\text{ A}$		48 75	56 90	$\text{m}\Omega$

1. Defined by design, not subject to production test.

**Table 4. Dynamic**

Symbol	Parameter	Test conditions	Min	Typ	Max	Unit
$C_{ISS}$	Input capacitance	$V_{DS} = -25\text{ V}$ , $f = 1\text{ MHz}$ $V_{GS} = 0\text{ V}$	-	639	-	pF
$C_{OSS}$	Output capacitance		-	79	-	
$C_{RSS}$	Reverse transfer capacitance		-	52	-	
$Q_g$	Total gate charge	$V_{DD} = -15\text{ V}$ , $I_D = -2\text{ A}$	-	6	-	nC
$Q_{gs}$	Gate-source charge	$V_{GS} = -4.5\text{ to }0\text{ V}$	-	1.9	-	
$Q_{gd}$	Gate-drain charge	(see Figure 13. Gate charge test circuit)	-	2.1	-	

**Table 5. Switching times**

Symbol	Parameter	Test conditions	Min	Typ	Max	Unit
$t_{d(on)}$	Turn-on delay time	$V_{DD} = -15\text{ V}$ , $I_D = -2\text{ A}$ , $R_G = 4.7\text{ }\Omega$ , $V_{GS} = -10\text{ V}$ (see Figure 12. Switching times test circuit for resistive load)	-	5.4	-	ns
$t_r$	Rise time		-	5	-	
$t_{d(off)}$	Turn-off delay time		-	19.2	-	
$t_f$	Fall time		-	3.4	-	

**Table 6. Source drain diode**

Symbol	Parameter	Test conditions	Min	Typ	Max	Unit
$V_{SD}$ <sup>(1)</sup>	Forward on voltage	$I_{SD} = -2\text{ A}$ , $V_{GS} = 0\text{ V}$	-	-	-1.1	V

Symbol	Parameter	Test conditions	Min	Typ	Max	Unit
$t_{rr}$	Reverse recovery time	$I_{SD} = -2 \text{ A}$ , $di/dt = 100 \text{ A}/\mu\text{s}$ , $V_{DD} = 24 \text{ V}$ , $T_J = 150 \text{ }^\circ\text{C}$ (see Figure 14. Test circuit for inductive load switching and diode recovery times)	-	-	11.2	ns
$Q_{rr}$	Reverse recovery charge		-	-	3.5	nC
$I_{RRM}$	Reverse recovery current		-	-	-0.6	A

1. Pulsed: pulse duration=300 $\mu\text{s}$ , duty cycle 1.5%

## 2.1 Electrical characteristics (curves)

Note: For the P-channel Power MOSFET, current and voltage polarities are reversed.

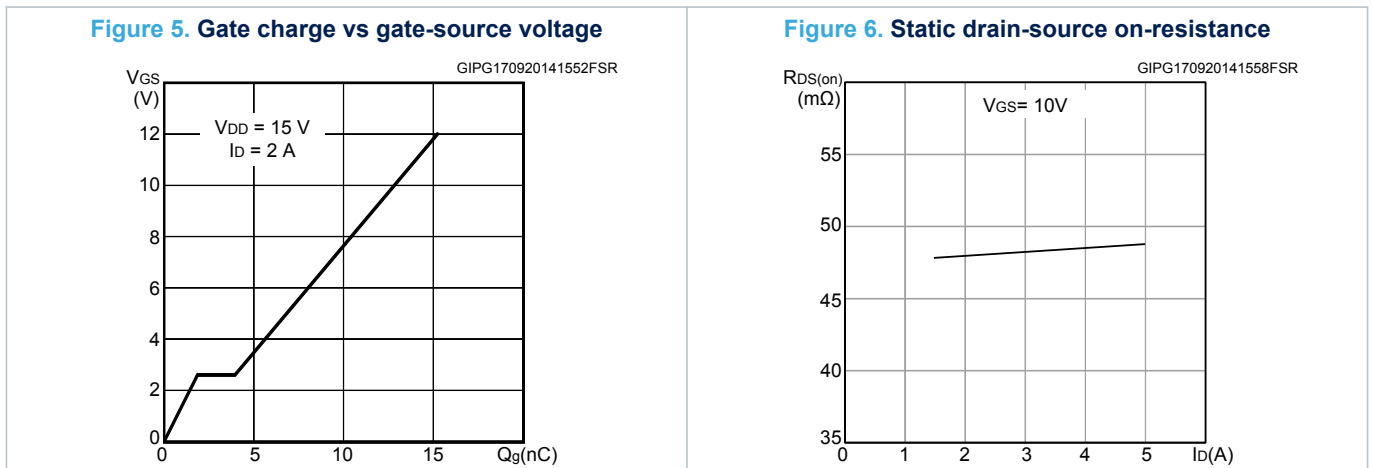
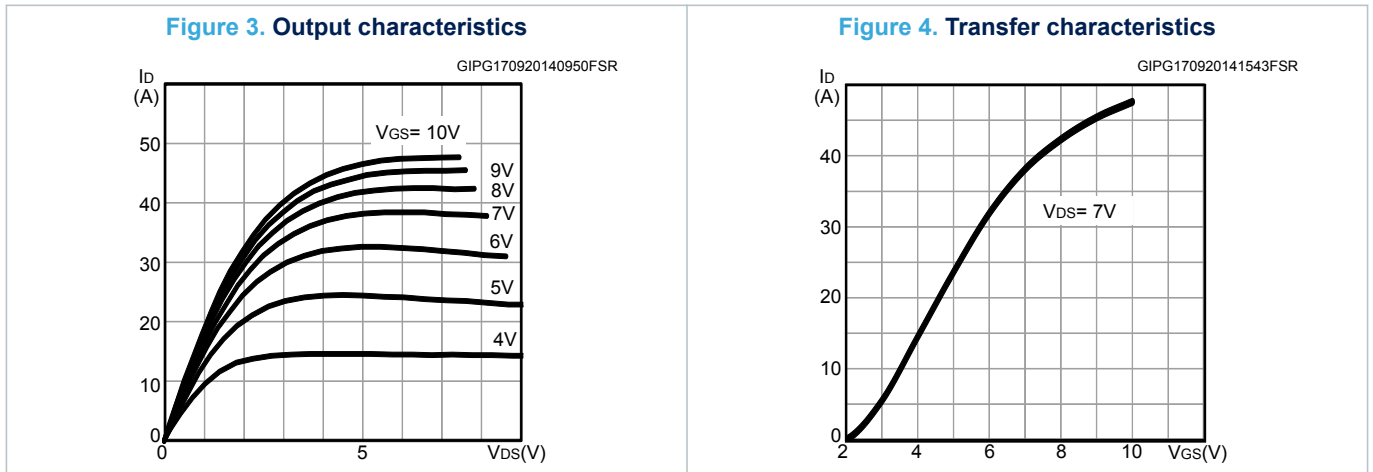
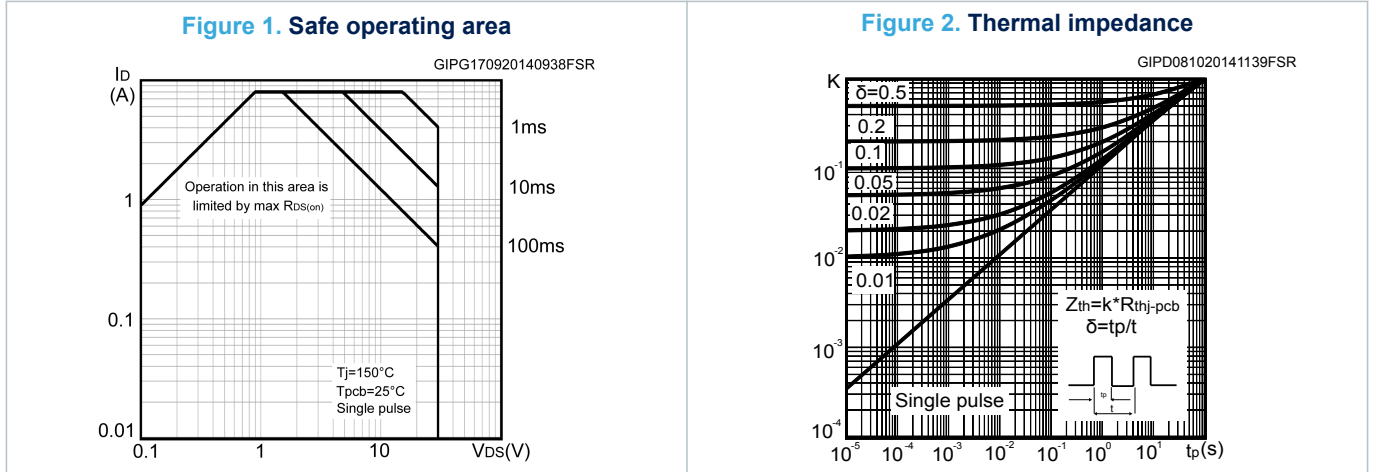


Figure 7. Normalized  $V_{(BR)DSS}$  vs temperature

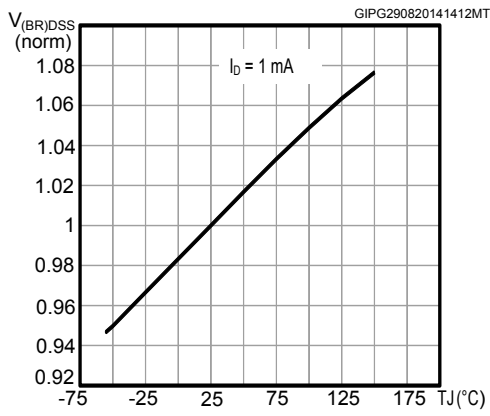


Figure 8. Capacitance variations

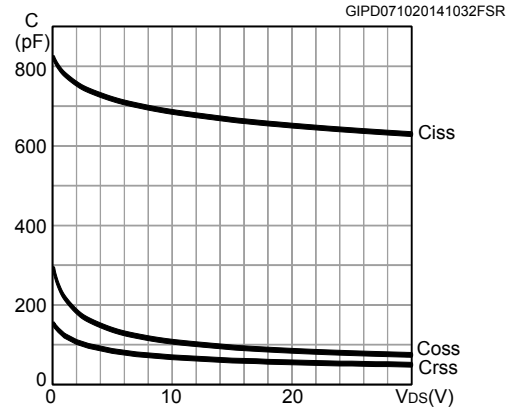


Figure 9. Normalized gate threshold voltage vs. temperature

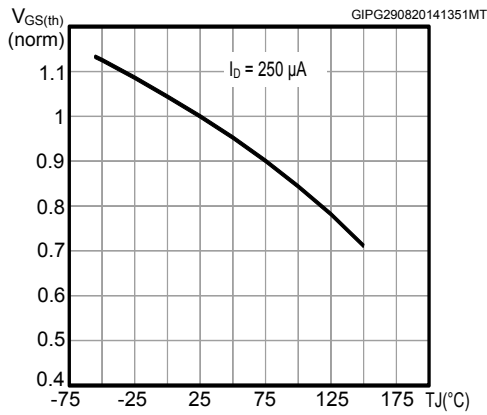


Figure 10. Normalized on-resistance vs. temperature

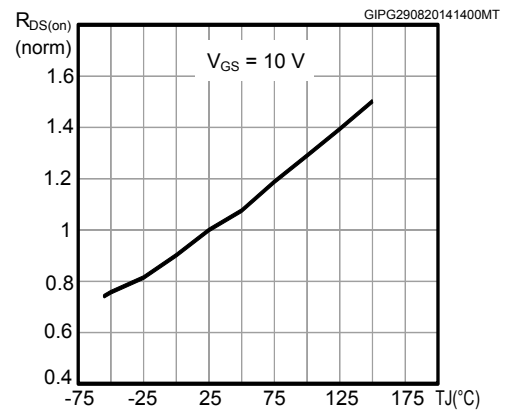
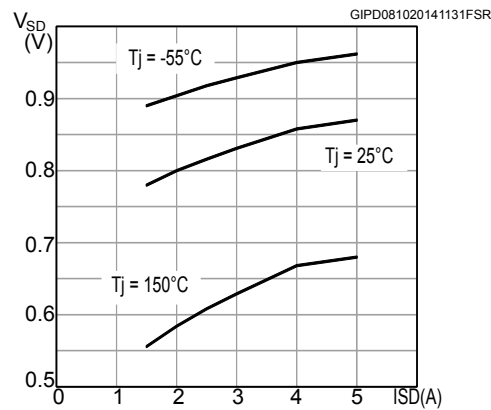
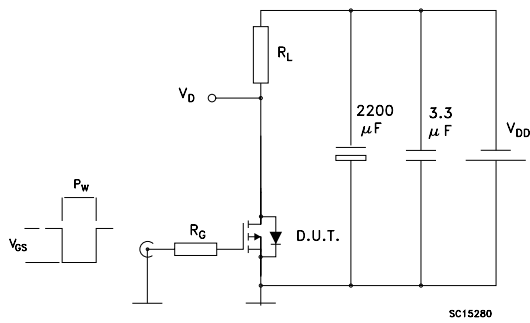
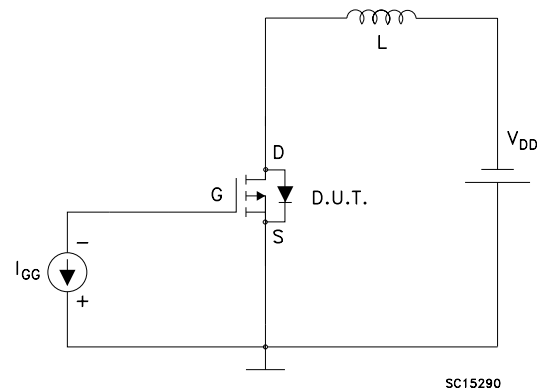
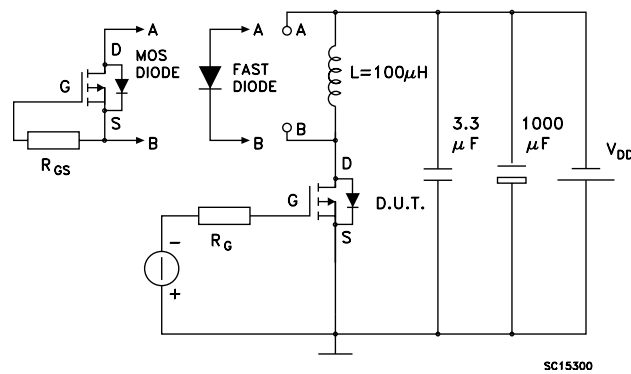


Figure 11. Source-drain diode forward characteristics



### 3 Test circuits

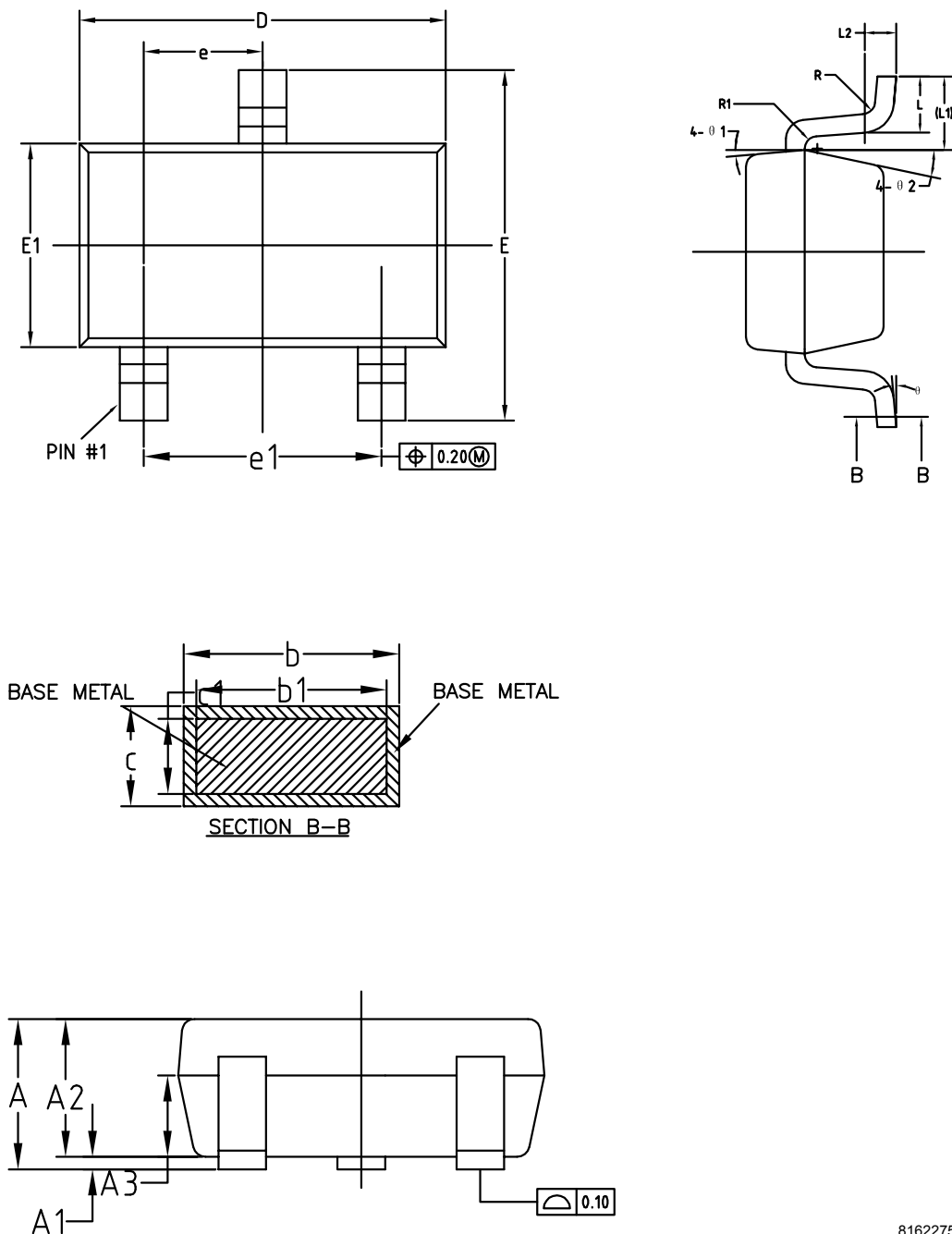
**Figure 12. Switching times test circuit for resistive load**

**Figure 13. Gate charge test circuit**

**Figure 14. Test circuit for inductive load switching and diode recovery times**


## 4 Package information

In order to meet environmental requirements, ST offers these devices in different grades of **ECOPACK** packages, depending on their level of environmental compliance. ECOPACK specifications, grade definitions and product status are available at: [www.st.com](http://www.st.com). ECOPACK is an ST trademark.

### 4.1 SOT-23 package information

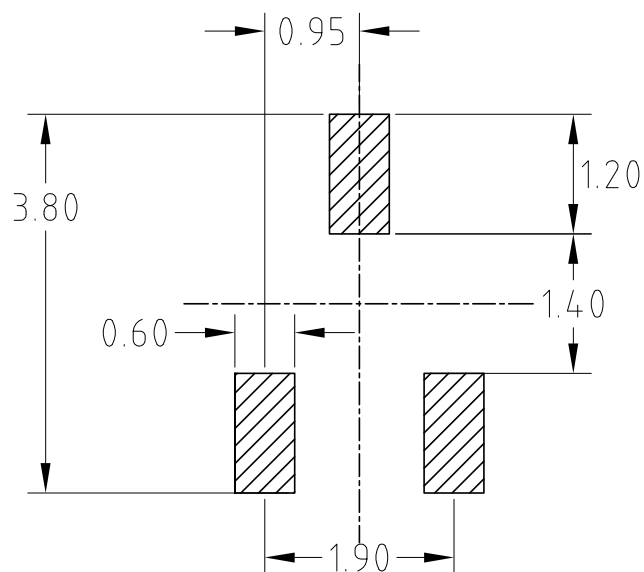
Figure 15. SOT-23 package outline



8162275\_998G\_3

**Table 7. SOT-23 package mechanical data**

Dim.	mm		
	Min.	Typ.	Max.
A			1.25
A1	0.00		0.15
A2	1.00	1.10	1.20
A3	0.60	0.65	0.70
b	0.36		0.50
b1	0.36	0.38	0.45
c	0.14		0.20
c1	0.14	0.15	0.16
D	2.826	2.926	3.026
E	2.60	2.80	3.00
E1	1.526	1.626	1.726
e	0.90	0.95	1.00
e1	1.80	1.90	2.00
L	0.35	0.45	0.60
L1	0.59 REF		
L2	0.25 BSC		
R	0.05		
R1	0.05		
$\theta$	0°		8°
$\theta_1$	3°	5°	7°
$\theta_2$	6°		14°

**Figure 16. SOT-23 recommended footprint (dimensions are in mm)**


## Revision history

**Table 8. Document revision history**

Date	Revision	Changes
09-May-2013	1	Initial release.
03-Nov-2014	2	Document status promoted from preliminary to production data. Added Section 2.1: "Electrical characteristics (curves)". Minor text changes.
05-Nov-2015	3	Updated title and features in cover page. Updated <i>Table 2: "Absolute maximum ratings"</i> , <i>Table 4: "On /off states"</i> , <i>Table 5: "Dynamic"</i> , <i>Table 6: "Switching times"</i> , <i>Table 7: "Source drain diode"</i> and <i>Section 2.1: "Electrical characteristics (curves)"</i> . Minor text changes.
21-Feb-2018	4	Removed maturity status indication from cover page. The document status is production data. Updated <i>Section 4.1 SOT-23 package information</i> . Minor text changes.
26-Mar-2019	5	Updated <a href="#">Table 3. On /off states</a> . Minor text changes.

---

## Contents

<b>1</b>	<b>Electrical ratings</b> .....	<b>2</b>
<b>2</b>	<b>Electrical characteristics</b> .....	<b>3</b>
<b>2.1</b>	<b>Electrical characteristics (curves)</b> .....	<b>5</b>
<b>3</b>	<b>Test circuits</b> .....	<b>7</b>
<b>4</b>	<b>Package mechanical data</b> .....	<b>8</b>
<b>4.1</b>	<b>SOT-23 package information</b> .....	<b>8</b>
	<b>Revision history</b> .....	<b>10</b>

**IMPORTANT NOTICE – PLEASE READ CAREFULLY**

STMicroelectronics NV and its subsidiaries (“ST”) reserve the right to make changes, corrections, enhancements, modifications, and improvements to ST products and/or to this document at any time without notice. Purchasers should obtain the latest relevant information on ST products before placing orders. ST products are sold pursuant to ST’s terms and conditions of sale in place at the time of order acknowledgement.

Purchasers are solely responsible for the choice, selection, and use of ST products and ST assumes no liability for application assistance or the design of Purchasers’ products.

No license, express or implied, to any intellectual property right is granted by ST herein.

Resale of ST products with provisions different from the information set forth herein shall void any warranty granted by ST for such product.

ST and the ST logo are trademarks of ST. For additional information about ST trademarks, please refer to [www.st.com/trademarks](http://www.st.com/trademarks). All other product or service names are the property of their respective owners.

Information in this document supersedes and replaces information previously supplied in any prior versions of this document.

© 2019 STMicroelectronics – All rights reserved

## Looking for pricing, stock, or lifecycle information?

Click below to explore more details on WIN SOURCE:

- ⊖ [View STR2P3LLH6 on WIN SOURCE](#)
- ⊖ [STMicroelectronics Information](#)

## Optimize Your Supply Chain with WIN SOURCE Solutions

- ✓ Global Sourcing Solution
- ✓ Obsolete Management
- ✓ Cost Control Management
- ✓ Shortage Management
- ✓ Alternative Solution
- ✓ Excess Inventory Management